



Parts List

EU48A

TABLE OF CONTENTS

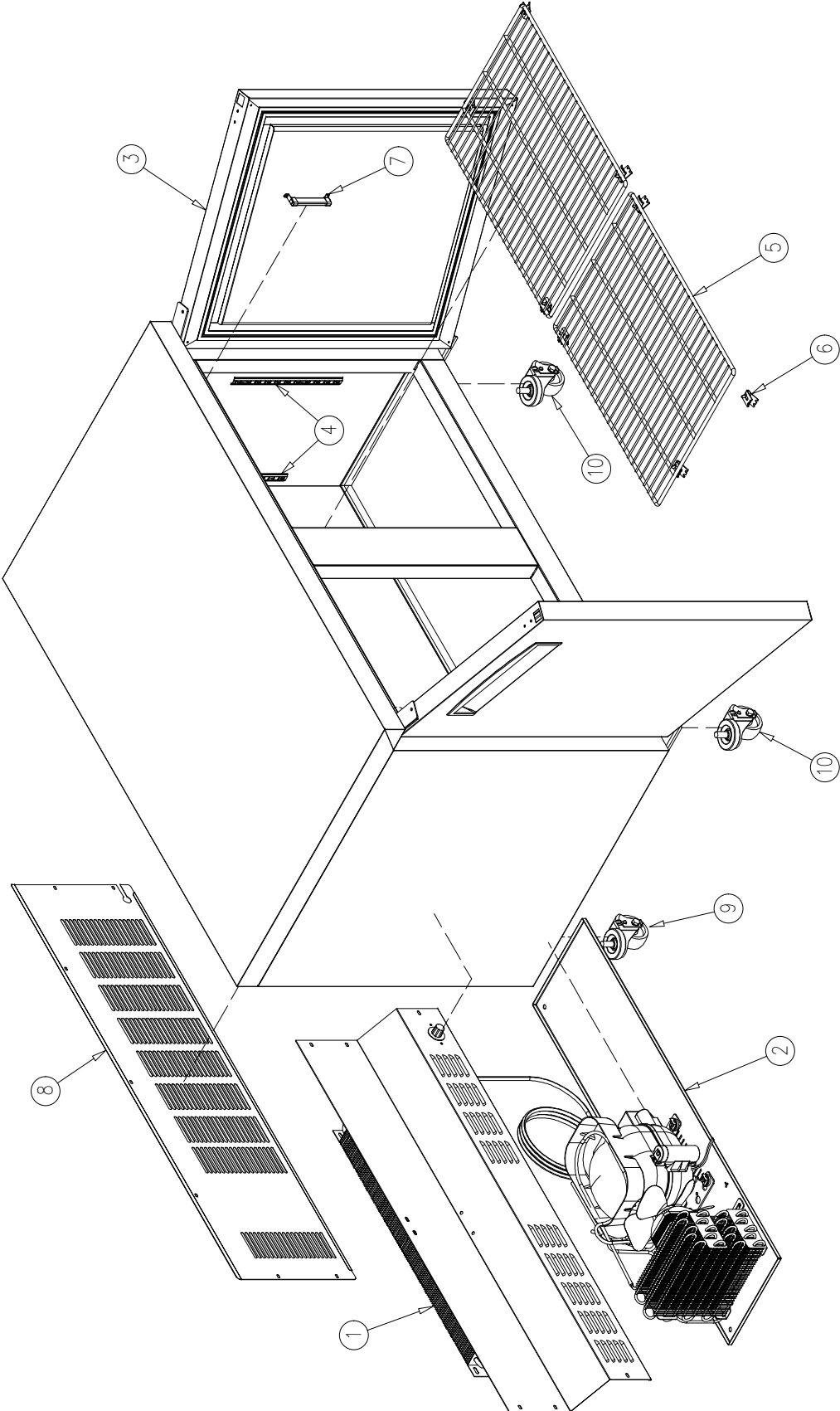
MAIN ASSEMBLY	3
EVAPORATOR ASSEMBLY	5
CONDENSING UNIT ASSEMBLY	7
DOOR ASSEMBLY	9

NOTE:

To order spare parts, always include the following information:

- *Model Number* _____
- *Serial Number* _____

MAIN ASSEMBLY

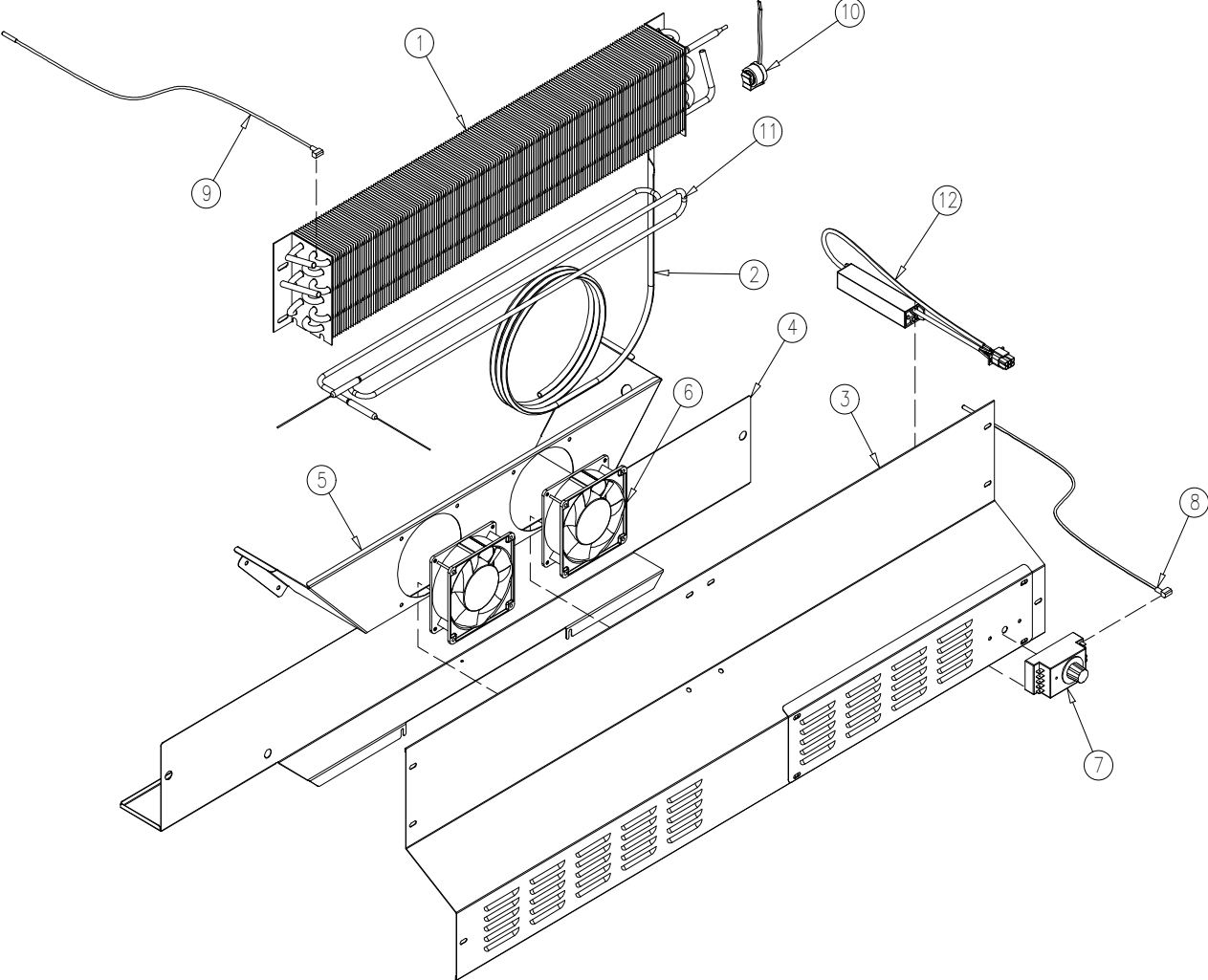


EUF48A

MAIN ASSEMBLY

<i>Item No.</i>	<i>Description</i>	<i>Part No.</i>	<i>Quantity per cooler</i>
1	EVAPORATOR ASSEMBLY	OT-EV-0223	1
2	CONDENSING UNIT ASSEMBLY	OT-UN-0394-1	1
3	RIGHT AND LEFT DOOR ASSEMBLY	OT-PTA-0258-R OT-PTA-0258-L	1 1
4	48" PILASTER	PI-5	1
5	FLAT SHELF	SH-0560-HD-GR	2
6	SHELF CLIPS	CL-51-SS-E	8
7	THERMOMETER	TH-1-E	1
8	BACK GRILL	OT-22408	1
9	BACK SWIVEL BOLT HEAD CASTER	CA-4	2
10	FRONT SWIVEL BOLT HEAD CASTER WITH WHEEL BRAKE	CA-4-BR	2

EVAPORATOR ASSEMBLY



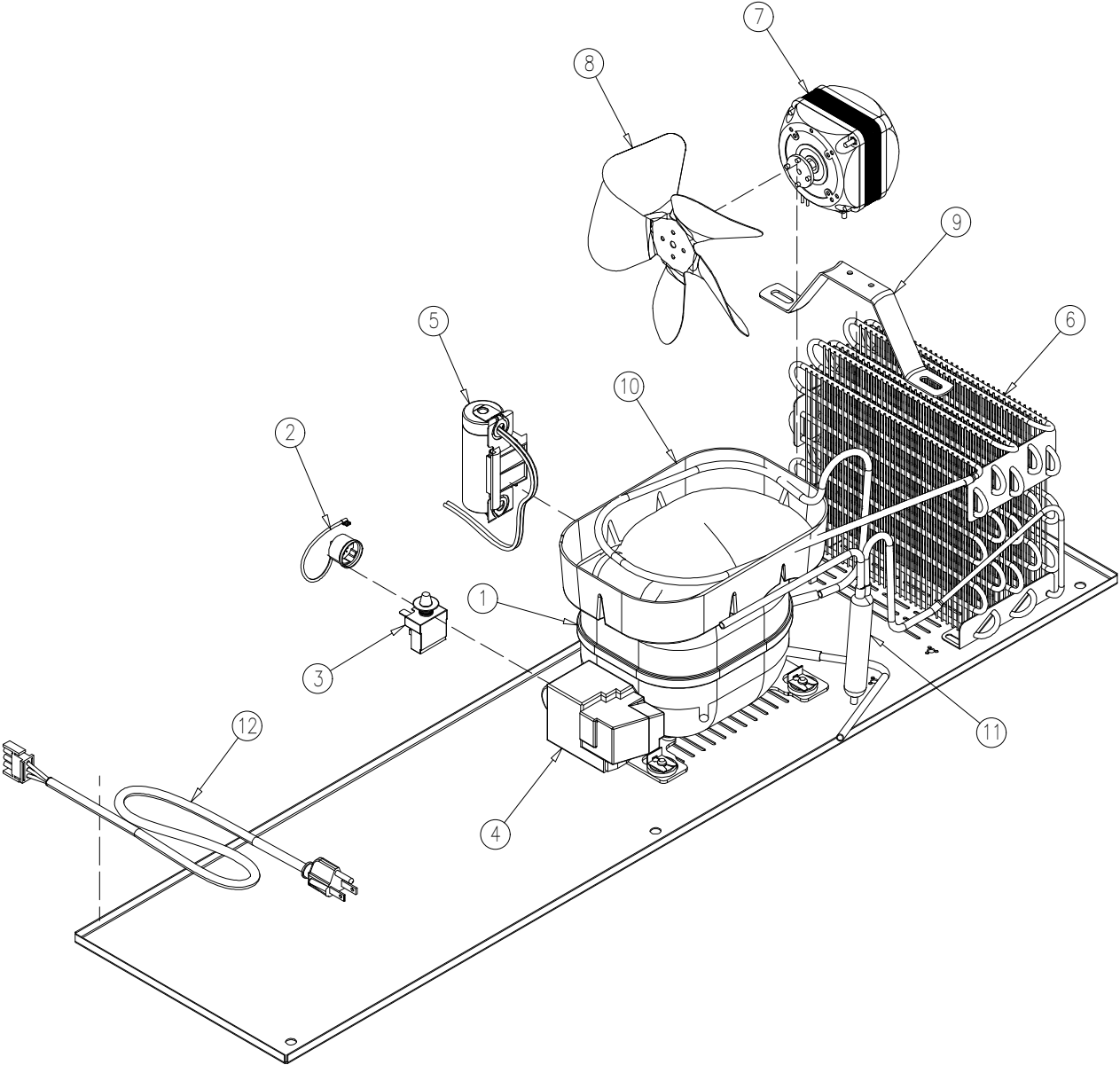
EVAPORATOR ASSEMBLY

<i>Item No.</i>	<i>Description</i>	<i>Part No.</i>	<i>Quantity per cooler</i>
1	EVAPORATOR	CO-477	1
2	HEAT EXCHANGER	TUB-1216	1
3	BAFFLE	OT-22349	1
4	EVAPORATOR SUPPORT	OT-22365	1
5	EVAPORATOR FAN MOTOR BRACKET	OT-22362	1
6	EVAPORATOR FAN MOTOR	FA-93-IP55	2
7	ELECTRONIC THERMOSTAT	CT-197-SOL-145 (K)*	1
8	AMBIENT SENSOR	CT-196-2-SOL	1
9	EVAPORATOR SENSOR	CT-196-2-SOL	1
10	THERMODISK	OT-CT-11-R-EM	1
11	DEFROST ROD HEATER	EL-238-R290	1
12	1.25 Amp. FAN POWER SUPPLY	OT-EL-151-T	1

* THE PART NUMBER CT-197-SOL-145 (K) INCLUDES:

THERMOSTAT CT-197-SOL
AMBIENT AND EVAPORATOR SENSOR CT-196-2-SOL (Items No. 8 y 9)
HARNESS CONTROL OT-AR-5598

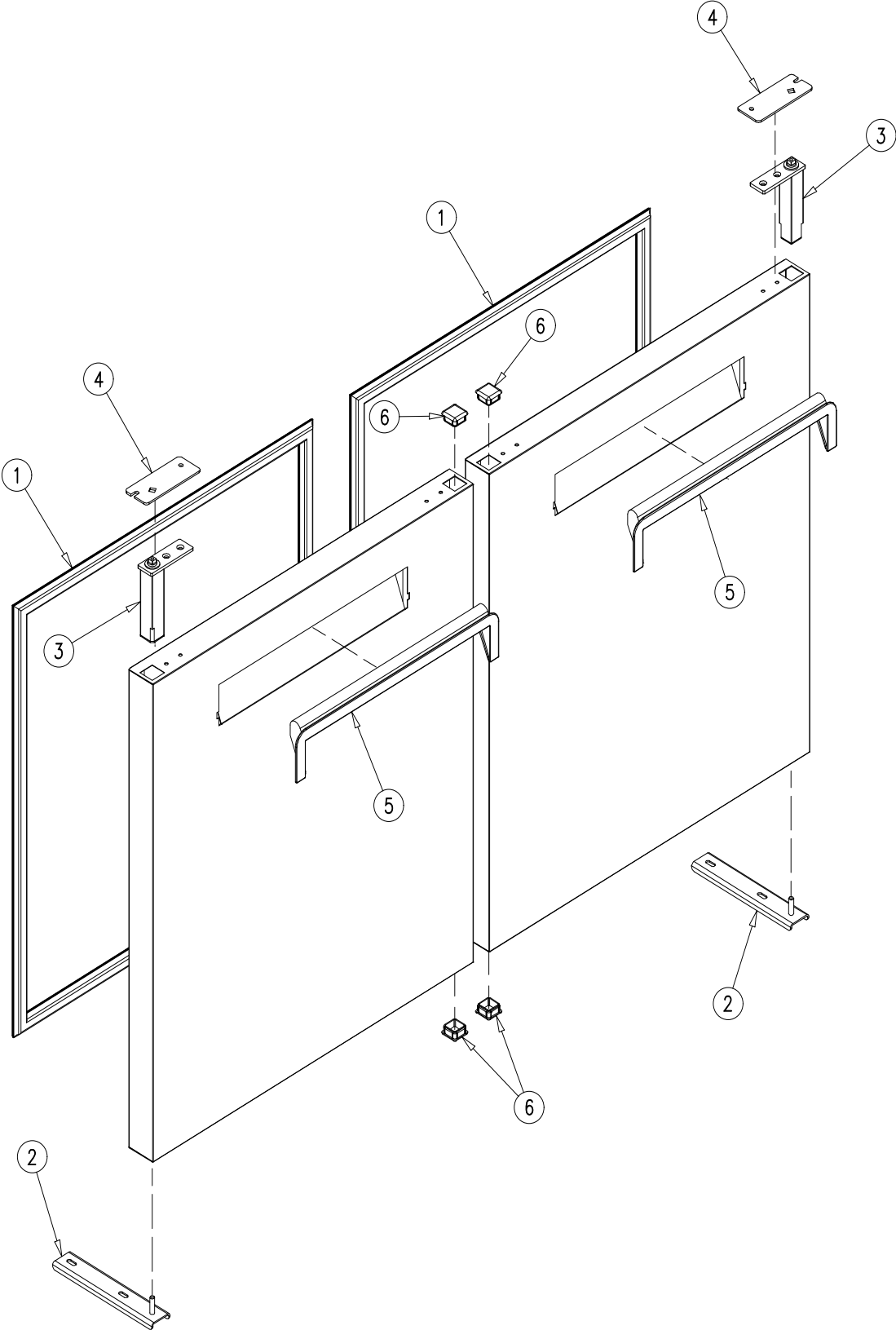
CONDENSING UNIT ASSEMBLY



CONDENSING UNIT ASSEMBLY

<i>Item No.</i>	<i>Description</i>	<i>Part No.</i>	<i>Quantity per cooler</i>
1	1/3HP 115V/60HZ R-290 COMPRESSOR	EM2X3125U	1
2	CP4TMC460N61 EXTERNAL PROTECTOR	EL-2077-R	1
3	7M4R7MD3 RELAY	EL-2076-R	1
4	ELECTRICAL BOX	EL-2078-R	1
5	20 μ F 180V RUN CAPACITOR	CAP-20-180	1
6	CONDENSER	CO-426	1
7	CONDENSER FAN MOTOR	FA-1-EBM	1
8	CONDENSER FAN MOTOR BLADE	FA-2-EBM	1
9	CONDENSER FAN MOTOR BRACKET	FA-39	1
10	COMPRESSOR EVAPORATION TRAY	DP-6	1
11	DRIER	DR-36-C	1
12	POWER CORD	OT-EL-1265-9-4784	1

DOOR ASSEMBLY



DOOR ASSEMBLY

<i>Item No.</i>	<i>Description</i>	<i>Part No.</i>	<i>Quantity per cooler</i>
1	MAGNETIC GASKET	OT-GA-400-PTA-0258	2
2	LOWER HINGE ASSEMBLY	HA-613	2
3	TORSION MECHANISM	HA-612	2
4	TORSION MECHANISM CAP	OT-22263	2
5	DOOR HANDLE	HA-836	2
6	DOOR PLUG	PL-191-G	4

