

Ice-O-Matic Upright Ice Storage Bins with Ice Shield

Installation Instructions and Parts List

Ice-O-Matic ice storage bins enjoy a well-deserved reputation for excellent performance, long-term reliability and outstanding after-the-sale support. To ensure that this bin delivers that same degree of service, we ask that you take a moment to review this instruction before beginning the installation of the bin. Should you have any questions or require technical help at any point, please call our technical service group at (800)423-3367 (US & Canada)

Before You Begin.

After uncrating and removing all packing material, inspect the equipment for concealed shipping damage. If damage is found, notify the shipper immediately and contact Ice-O-Matic so that we can help in the filing of a claim, if necessary.

! Important Cautions

- Avoid excessive tightening force when connecting to the bin drain fitting
- Do not apply excessive heat if any sweating of fittings is necessary. Heat conduction through metal may melt threads in plastic drain fitting.
- When leveling, do not extend any leg more than 1 in. (26mm) for total leg height no greater than 2.125 in. (54mm).

Installation

1. Remove all packing material from bin.
2. Remove all tape and temporary fastenings from door assemblies and outside of bin.
3. Remove set of four legs and any other accessories packed inside bin.
4. Lay bin on back, being careful to protect finish, and remove bolts holding skid to bin.
5. Screw legs into tapped holes in bin bottom and tighten to seat legs well against bottom.
6. Set bin upright.
7. Remove protective paper from stainless steel exterior.
8. Move bin to permanent location.
9. Adjust "foot" at bottom of each leg to level bin in both directions.
10. Mount icemaker(s) on bin in accordance with icemaker manufacturer's instructions.
11. Connect drain line to 1" FPT female fitting located in bottom of bin.
12. Make final connections to icemaker. (Reference the Ice-O-Matic Installation Manual)

Ice-O-Matic®

11100 East 45th Ave.
Denver CO 80239
800 423-3367

www.iceomatic.com



Bin Model Numbers

B700-30, B1000-48, B1300-48, B1325-60, B1600-60

9081461-01
01078856R00
12/14

Removing Lower Door Assembly

(Only if required for access through narrow doors)

1. With door in closed position, remove Phillips head screw and washer from hinge area on each side of lower access door.
2. Insert screwdriver between door and hinge bracket on one side of door and gently push against bracket to provide room for door stud to clear bracket.
3. Remove access door.
4. Pull up on Ice Shield to remove.
5. Remove screws along top of door assembly.
6. Pull forward on top of assembly and lift to remove.

Reinstalling Door Assembly

1. Reinstall lower door assembly in bin opening.
2. Reinstall screws in hood at top of door assembly.
3. Reinstall Ice Shield in side panel tracks and push down to seat.
4. With door in closed position, insert one door stud through hinge bracket, install washer, screw and tighten.

Note: For proper operation the access door must be reinstalled in the closed position.

5. On other side, insert screwdriver between door and hinge bracket and gently push against bracket to provide room for door stud to clear bracket.
6. Reinstall washer and screw in lift door and tighten.
7. Check door to ensure proper operation.

Operation

Ice Shield Operation

Ice-O-Matic's unique Ice Shield positively controls the flow of ice into lower door assembly area for removal with either a scoop or shovel.

Ice Shield can also be adjusted and locked at one of several levels to accommodate flow characteristics of different types of ice.

Bin is shipped with Ice Shield in full down position. The Ice Shield can be raised and locked in higher position for better flow or when more access is needed.

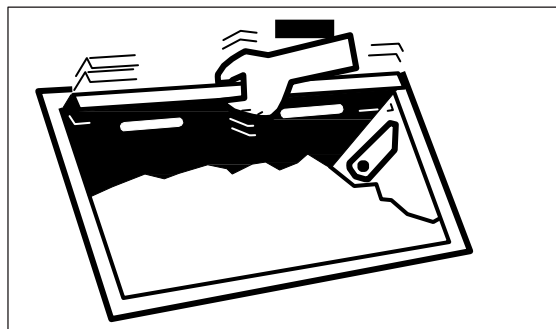
If More Ice Is Needed In Lower Door Area:

1. Use full-length handle at top of Ice Shield to gently lift and jiggle the Ice Shield to encourage ice to flow into access area of the bin (Fig. 1). (Loose ice will cascade into lower door area.)
2. When adequate ice has flowed, push the Ice Shield back down.

When More Access Is Needed Or To Encourage Flow Of Less Ice:

1. Lock gate at higher level by pulling up and holding the Ice Shield at correct level, and pushing tapered end of catch into nearest hole in gate (catch will automatically release when you pull up).
2. To release catch, pull up on the Ice Shield.

Fig. 1



Using Ice Paddle Accessory

The Ice Paddle is an optional accessory that can be ordered directly from Ice-O-Matic. Mount the Ice Paddle for easy access on either side of the bin in the bracket provided.

Using the Paddle

If there is adequate ice in bin but lower door area is not filled with ice, it may be that ice has congealed in bin and cannot flow. This can often be remedied by quickly jiggling the Ice Shield several times (Fig. 1). If problem continues, the Ice Paddle can be inserted through rectangular openings in the Ice Shield and agitated back and forth to break up congealed ice mass (Fig. 2).

Note: Use Ice Paddle only as described above. To avoid possible injury, keep head and face clear of lower door area and Ice Paddle at all times. Do not use the Ice Paddle for other purposes.

Technical assistance available toll free

Should you have any questions concerning installation or maintenance of Ice-O-Matic ice storage bins, please call our technical service department at 800 423-3367 (US & Canada) between 7:30 a.m. and 4:00 p.m. Mountain time.

Cleaning

Interior of bin must be cleaned and sanitized prior to use and should be cleaned on routine basis during use.

Interior Bin Care

Ice-O-Matic single door upright ice storage bins are equipped with polyethylene liner walls and stainless steel bottoms which should be cleaned and sanitized periodically with any product suitable for use in a food zone.

Important: Ice-O-Matic recommends installing our IFQ Water Filter on water supply to icemaker to remove chlorine.

1. Remove upper inspection windows by sliding windows to one side. Grasp the end of the front window and pull toward you as the window is slid to the opposite side. Repeat for rear window.

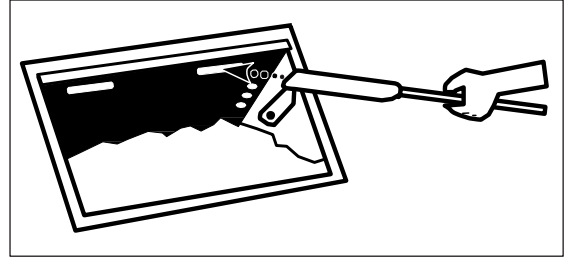


2. Wash bin walls, hopper, access door plate and partition (if any), rinse and sanitize.

Exterior Bin Care

Exterior stainless steel surfaces can be cleaned with a stainless steel cleaner such as 3M Stainless Steel Cleaner & Polish or equivalent.

Fig. 2

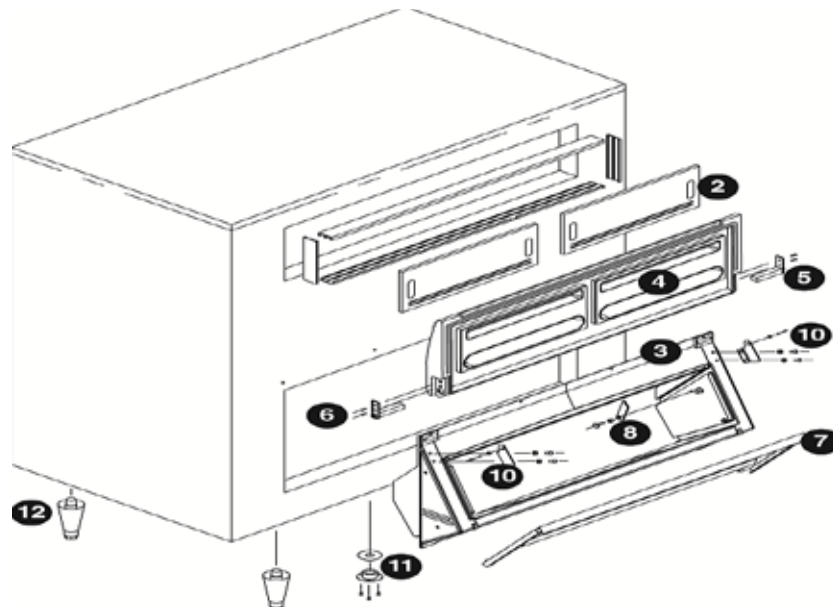


Replacement Parts

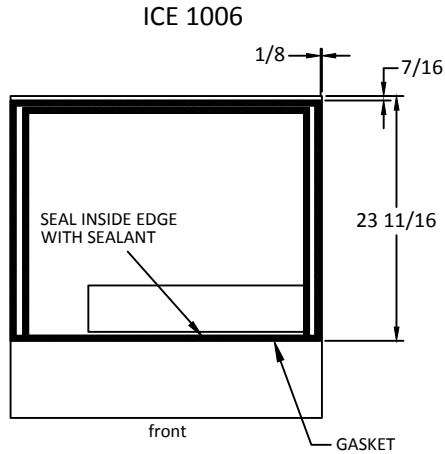
Item	Ice-O-Matic Part Number	DESCRIPTION	B700 30	B1000 48 48	B1300	B1325 60 60	B1600
1	N/A	No Item Number 1	NA	NA NA		NA NA	
2	1011518-10	Inspection Window 21.125 x 8.625 2 Required		X X		X X	
2	1011517-10	Inspection Window 21.125 x 8.625 2 Required	X				
3	1011518-11	Frame Assembly, Lower Door		X X		X X	
3	1011517-11	Frame Assembly, Lower Door	X				
4	1011518-12	Door, Outer lift 45 inch		X X		X X	
4	1011517-12	Door, Outer lift 28 inch	X				
5	1011517-13	Hinge, Right Hand Door Mount (Includes Hardware)	X	X X		X X	
6	1011517-14	Hinge, Left Hand Door Mount (Includes Hardware)	X	X X		X X	
7	1011518-13	Ice Gate 40 inch With Paddle Access		X X		X X	
7	1011518-14	Ice Gate 40 inch With Out Paddle Access		X X		X X	
7	1011517-15	Ice Gate 24 inch With Paddle Access	X				
7	1011517-16	Ice Gate 24 inch With Out Paddle Access	X				
8	1011517-17	Catch, Ice Gate	X	X X		X X	
9	N/A	No Item Number 9	NA	NA NA		NA NA	
10	1011517-18	Hinge, Bracket, Bin Mount (Includes Hardware)	X	X X		X X	
11	1011517-19	Drain Assembly, Plastic	X	X X		X X	
12	1011517-20	Legs, 6 inch Stainless Steel (Set of 4)	X	X X		X X	
12	1011517-21	Legs, 6 inch Stainless Steel Flanged Foot (Set of 4)	X	X X		X X	
NS	1011517-22	Shovel, Ice (Plastic)	X	X X		X X	
NS	1011517-23	Bracket, Ice Shovel	X	X X		X X	
NS	1011517-24	Paddle Ice, 46.5 Inch Total Length	X	X X		X X	
NS	1011517-25	Kit, Top, Replacement B700 Flextop	X				
NS	1011518-15	Kit, Top Replacement B1000, B1300 Flextop		X X			
NS	1011520-10	Kit, Top Replacement B1325, B1600 Flextop				X X	
NS	1011520-11*	Kit, Top Replacement B1325, B1600 Flextop (2 30" Wide)*				X X	
NS	1011520-12	Kit, Top Replacement B1325, B1600 Flextop (2 ICE1506)				X X	
NS	1011517-26	Bintop Filler Panel, Small, ("S" Lasered into Panel)	X X		X		
NS	1011518-16	Bintop Filler Panel, Large, ("L" Lasered into Panel)		X X		X X	
NS	1011517-27	Gasket, Foam Rubber, 25 Ft.	X	X X		X X	
NS	1011517-28	Sealant, RTV 4.7 Oz. Tube (1 ea.)	X	X X		X X	
NS	1011517-29	Bracket, Paddle	X	X X		X X	

*Note: For Top Air Discharge, Water Cooled and Remotes Only ICE0250, 400, 500, 606, 806 and 1006

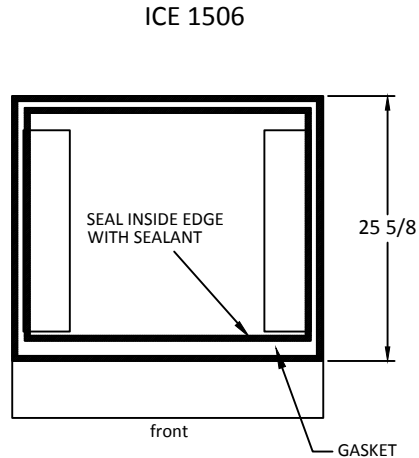
NS = Not Shown



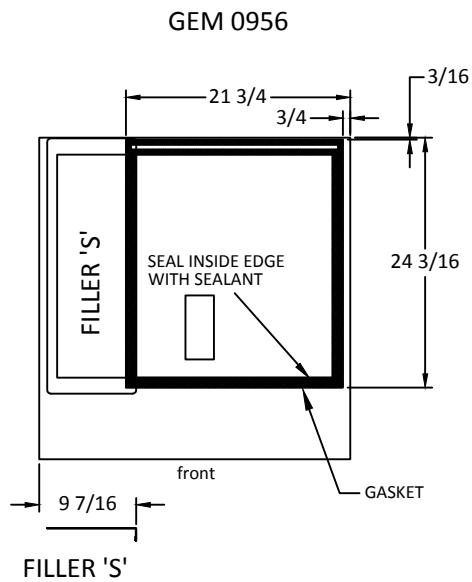
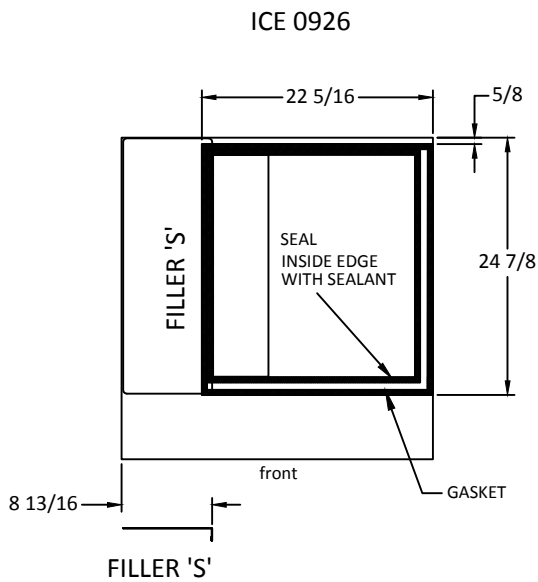
GASKET PATTERN FOR ICE-O-MATIC FLEXITOP 30" WIDE BIN



NO FILLER PANEL REQ'D



NO FILLER PANEL REQ'D

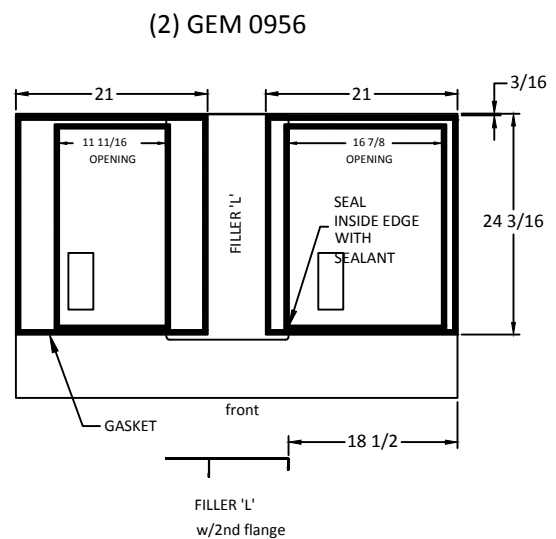
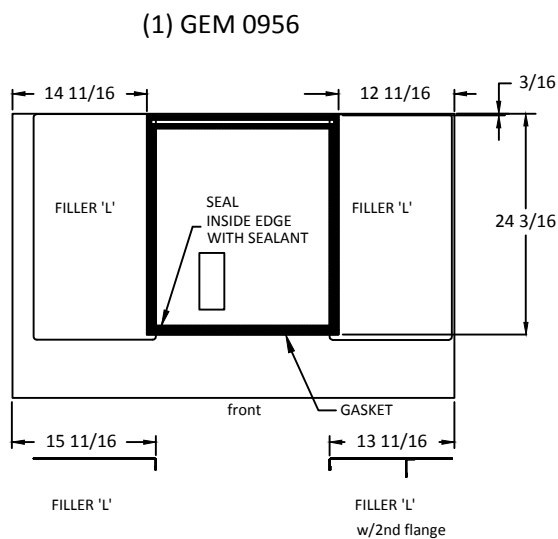
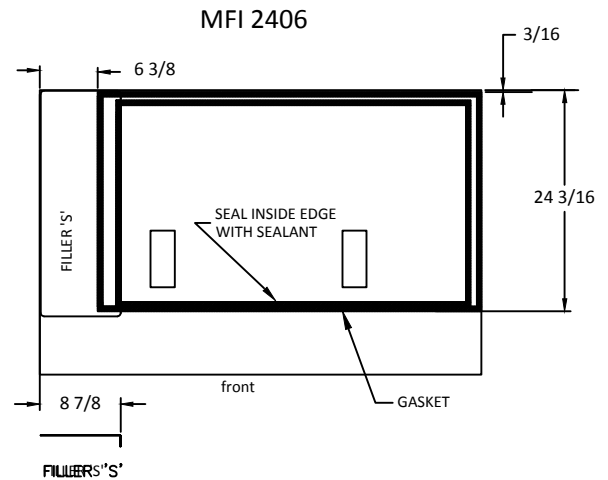
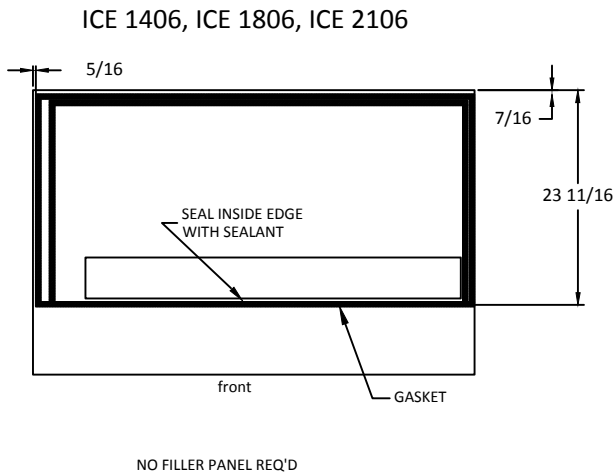


USING THE ILLUSTRATION FOR THE SPECIFIC ICEMAKER YOU ARE INSTALLING,

INSTALL FILLER PANELS, IF REQUIRED,

BY PEELING PAPER BACKING AND ADHERING TO TOP PER DIMENSION SHOWN.
 APPLY 3/8" GASKET TO BIN TOP PER DIMENSIONS SHOWN AND AROUND ICE DROP OPENING.
 SEAL INSIDE EDGE OF GASKET AROUND ICE DROP OPENING WITH SEALANT SUPPLIED.
 POSITION ICEMAKER ONTO BIN.

GASKET PATTERN FOR ICE-O-MATIC FLEXITOP 48" WIDE BIN



USING THE ILLUSTRATION FOR THE SPECIFIC ICEMAKER YOU ARE INSTALLING,

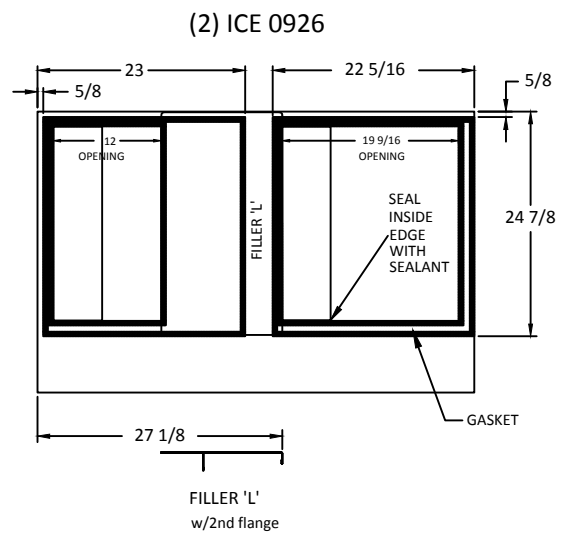
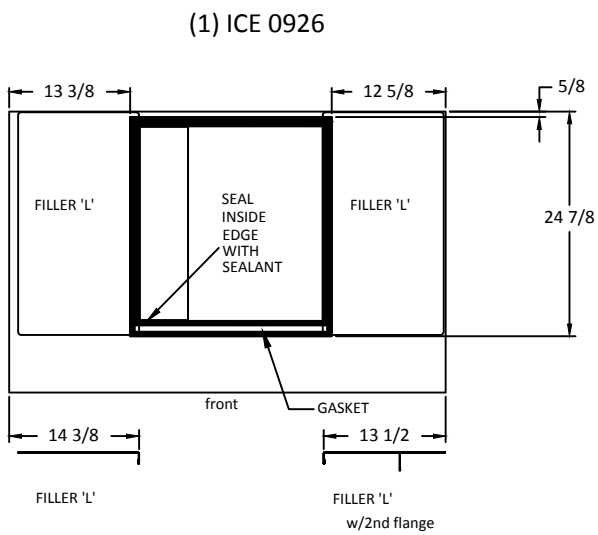
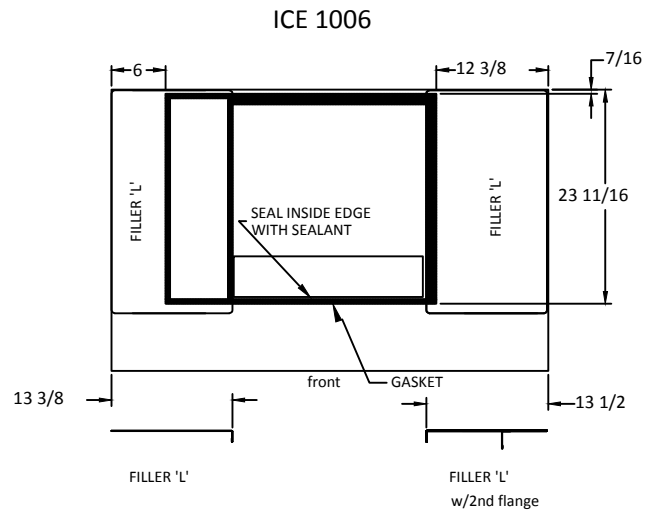
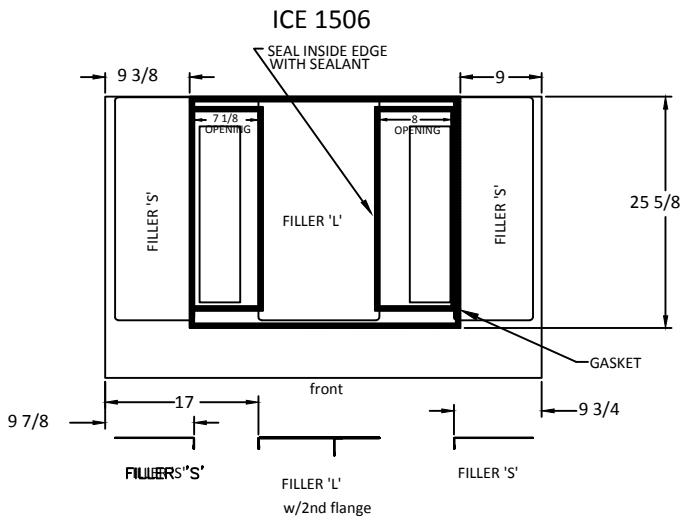
INSTALL FILLER PANELS, IF REQUIRED,

BY PEELING PAPER BACKING AND ADHERING TO TOP PER DIMENSION SHOWN.

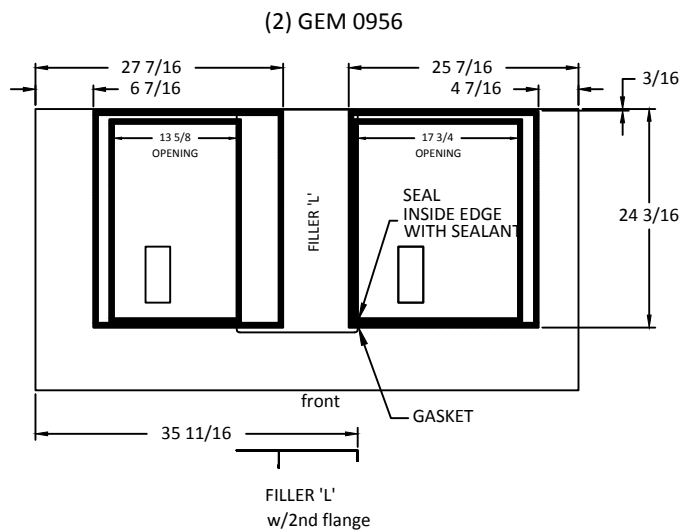
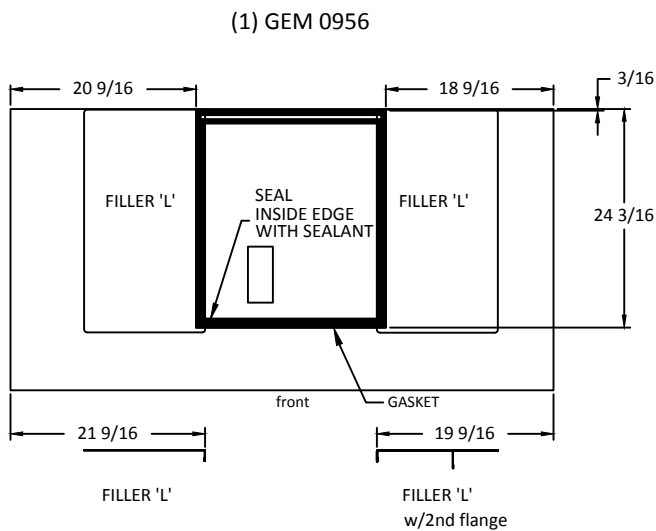
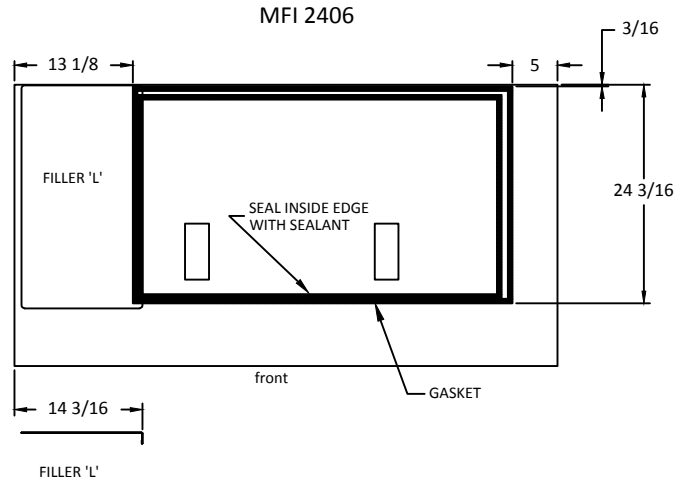
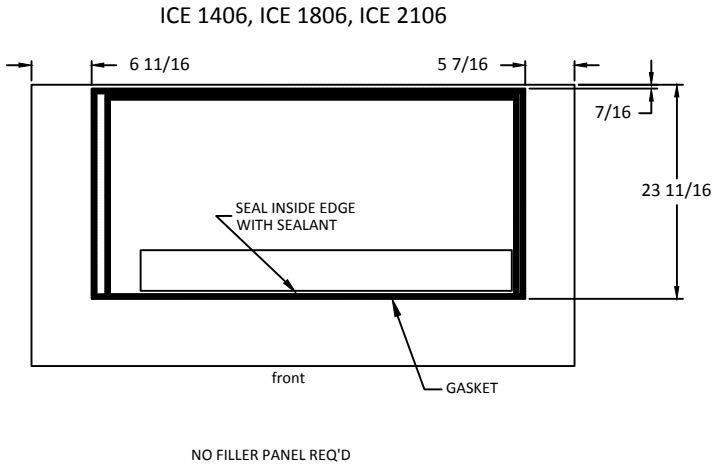
APPLY 3/8" GASKET TO BIN TOP PER DIMENSIONS SHOWN AND AROUND ICE DROP OPENING.

SEAL INSIDE EDGE OF GASKET AROUND ICE DROP OPENING WITH SEALANT SUPPLIED.

POSITION ICEMAKER ONTO BIN.



GASKET PATTERN FOR ICE-O-MATIC FLEXITOP 60" WIDE BIN



USING THE ILLUSTRATION FOR THE SPECIFIC ICEMAKER YOU ARE INSTALLING,

INSTALL FILLER PANELS, IF REQUIRED,

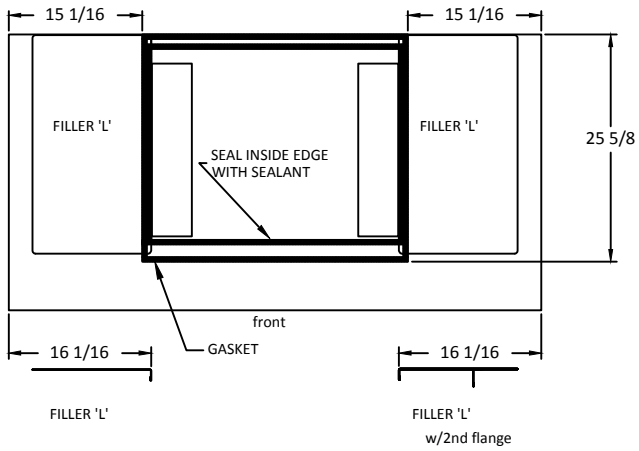
BY PEELING PAPER BACKING AND ADHERING TO TOP PER DIMENSION SHOWN.

APPLY 3/8" GASKET TO BIN TOP PER DIMENSIONS SHOWN AND AROUND ICE DROP OPENING.

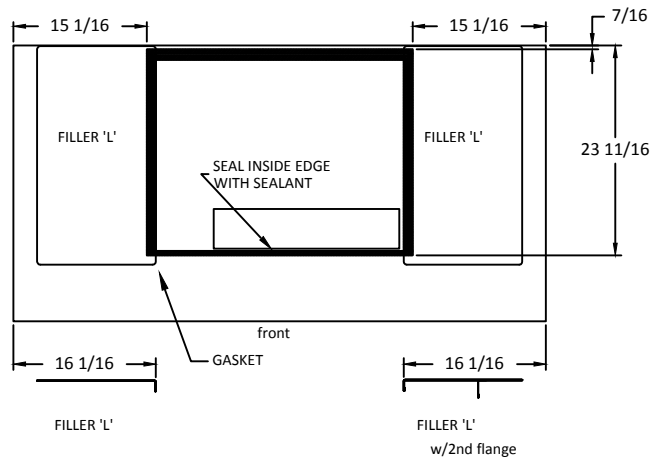
SEAL INSIDE EDGE OF GASKET AROUND ICE DROP OPENING WITH SEALANT SUPPLIED.

POSITION ICEMAKER ONTO BIN.

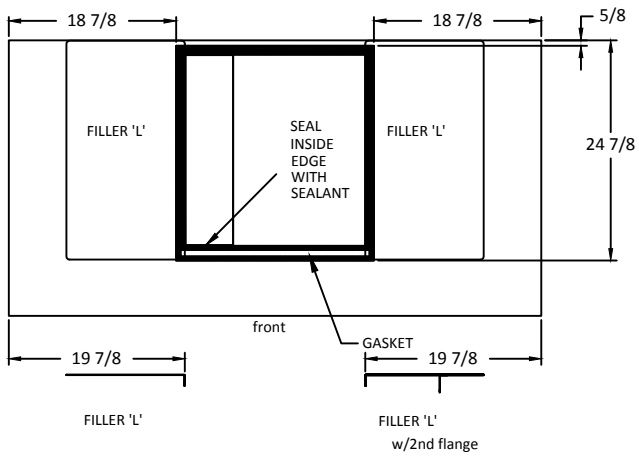
ICE 1506



ICE 1006



(1) ICE 0926



(2) ICE 0926

