

# FC5 Filter Cartridges

Deliver premium quality water for fountain and combination applications



## APPLICATIONS

Fountain beverage  
Combination system

## FEATURES AND BENEFITS

Increased capacity for extended reduction of chemical and mechanical contaminants.

Balanced cartridge for optimum performance in varying water qualities.

Compatible with Coldrink, QC71, QL2, QL3B, QL3 Heads, and High Flow CSR manifolds.

New Fibredyne™ II media with AgION® antimicrobial protection inhibits any potential bacterial growth.

Reduces chlorine taste and odor and other offensive contaminants that can adversely affect the taste of beverages.

Improves the taste of fountain beverages and helps retain the drink's carbonation.

Reduces dirt and particles as small as 5.0 microns in size.

Protects drink system seals, pump, tubing and small orifices from clogging, corrosion and abrasive wear.

Sanitary cartridge replacement is simple, quick and clean. Internal filter parts are never exposed to handling or contamination.

NSF Certified under NSF/ANSI Standard 42.

## OPERATIONAL TIPS

Replace cartridge when flow rate becomes inconveniently slow or before rated capacity is reached. It is recommended to replace cartridge at least once a year.

Change cartridges when capacity is reached or when pressure falls below 10 psi.

Always flush the filter cartridge at time of installation and cartridge change.



4FC5 Replacement Cartridge 1 PK: EV9693-21  
7FC5 Replacement Cartridge 1 PK: EV9693-61

## SPECIFICATIONS

	4FC5	7FC5
<b>Overall Dimensions:</b>	14.5" H x 3.25" D (36.8 cm x 8.3 cm)	20.75" H x 3.25" D (52.7 x 8.3 cm)
<b>Service Flow Rate:</b>	2.5 gpm (9.5 lpm)	2.5 gpm (9.5 lpm)
<b>Rated Capacity:</b>	15,000 Gallons (56,781 L)	25,000 gallons (94,635 L)
<b>Pressure Requirements:</b>	10 – 125 psi (0.7 – 8.6 bar), non-shock	10 – 125 psi (0.7 – 8.6 bar), non-shock
<b>Temperature:</b>	35 – 100°F (2 – 38°C)	35 – 100°F (2 – 38°C)
<b>Electrical Connection:</b>	None	None

# FC5 Filter Cartridges

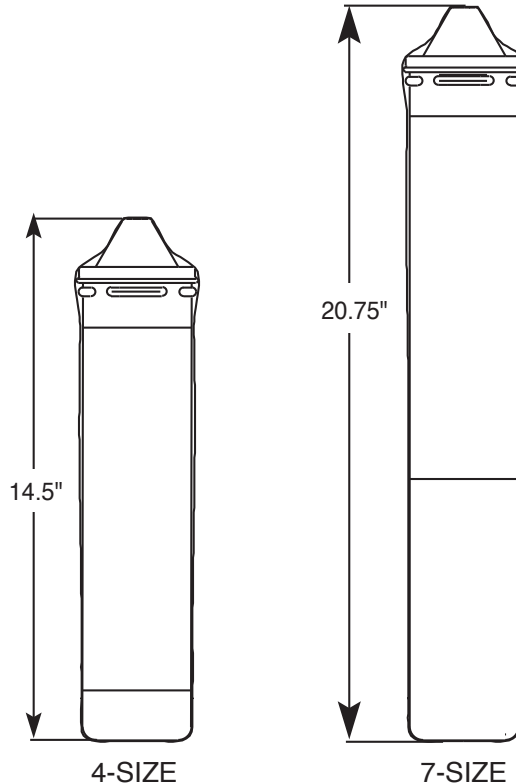
4FC5 EV9693-21 • 7FC5 EV9693-61

## INSTALLATION TIPS

Install vertically so cartridge hangs down.

Allow 2½" clearance below the cartridge for easy cartridge replacement.

Flush cartridge by running water through system for five minutes at full flow.



Everpure water treatment systems (excluding replaceable elements) are covered by a limited warranty against defects in material and workmanship for a period of five years after date of purchase. Everpure replaceable elements (filter cartridges and water treatment cartridges) are covered by a limited warranty against defects in material and workmanship for a period of one year after date of purchase. See printed warranty for details. Everpure will provide a copy of the warranty upon request.

*Everpure reserves the right to update specifications, change prices, or make substitutions without notice.*

The contaminants or other substances removed or reduced by this drinking water system are not necessarily in your water. Do not use with water that is microbiologically unsafe or of unknown quality without adequate disinfection before or after the system.



System Tested and Certified by NSF International against NSF/ANSI Standard 42 and 53 for the reduction of:

**Std. No. 42-**

**Aesthetic effects**

Bacteriostatic Effects

**Chemical Reduction**

Taste & Odor

Chlorine

**Mechanical Filtration**

Nominal Particulate Class III

EV9693-21-61 OC11

# EVERPURE®

WATER YOU CAN TRUST®

Visit our website at [www.everpure.com](http://www.everpure.com)

Everpure-SHURflo India  
Green Boulevard, B-9/A, 7th Floor -  
Tower B Sector 62, Noida - 201301  
TEL: 91.120.419.9444  
FAX: 91.120.419.9400  
EMAIL: [indiacustomer@pentair.com](mailto:indiacustomer@pentair.com)

Everpure-SHURflo Japan Inc.  
Hashimoto MN Bldg. 7F  
3-25-1 Hashimoto, Midori-ku  
Sagamihara-Shi Kanagawa 252-0143  
JAPAN  
TEL: 81.(0)42.775.3011  
FAX: 81.(0)42.775.3015  
EMAIL: [info@everpure.co.jp](mailto:info@everpure.co.jp)

Everpure-SHURflo China  
21F Cloud 9 Plaza, No 1118,  
Shanghai, 200052  
CHINA  
TEL: 86.21.3211.4588  
FAX: 86.21.3211.4580  
EMAIL: [China.Water@Pentair.com](mailto:China.Water@Pentair.com)

Pentair Filtration Solutions, LLC  
World Headquarters-Everpure/SHURflo  
North and South America Sales  
1040 Muirfield Dr.  
Hanover Park, Illinois 60133  
USA  
TEL: 800.942.1153 (US only)  
TEL: 630.307.3000  
FAX: 630.307.3030  
EMAIL: [cseverpure@pentair.com](mailto:cseverpure@pentair.com)

Everpure-SHURflo Australia  
2 Redwood Drive  
Notting Hill  
Victoria, 3168  
AUSTRALIA  
TEL: 011.61.39.574.4000  
FAX: 011.61.39.562.7237  
EMAIL: [au.everpure@pentair.com](mailto:au.everpure@pentair.com)

Everpure-SHURflo Southeast Asia  
18 Boon Lay Way  
#04-110/111  
TradeHub 21, 609966  
SINGAPORE  
TEL: 65.6795.2213  
FAX: 65.6795.2219  
EMAIL: [cseverpure@pentair.com](mailto:cseverpure@pentair.com)

Everpure-SHURflo Europe  
Pentair Water Belgium bvba  
Industriepark Wolfstee  
Toekomstlaan  
30 B-2200 Herentals, BELGIUM  
TEL: +32.(0).14.283.500  
FAX: +32.(0).14.283.505  
EMAIL: [sales@everpure-europe.com](mailto:sales@everpure-europe.com)