

# DRAIN WATER TEMPERING KIT

ATTENTION PLUMBERS

**HT**  
MODELS

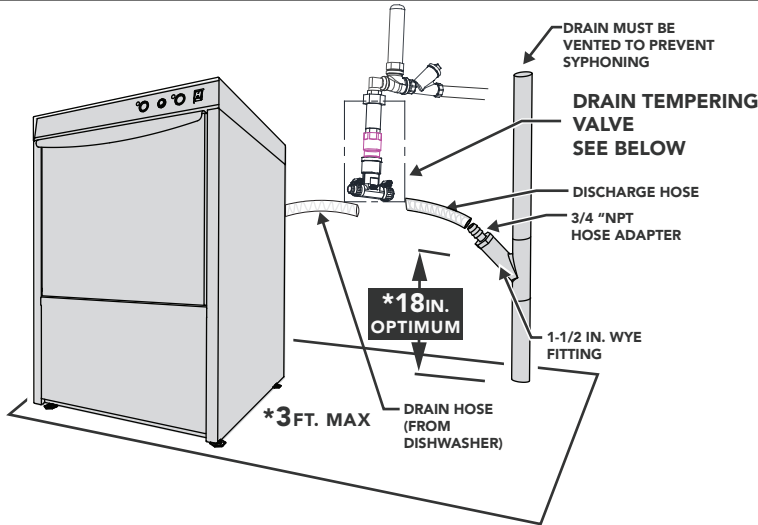
0514387 REV A -30-JAN-2019

**FAILURE TO FOLLOW THESE INSTRUCTIONS WILL VOID WARRANTY!**

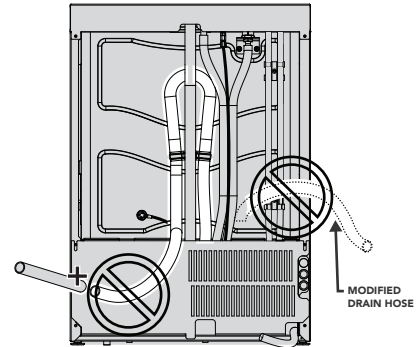


All plumbing connections must be made by qualified installers familiar with food service equipment in accordance with all local plumbing codes.

All plumbing connections **must be positioned** to allow the unit to be removable for service and cleaning.

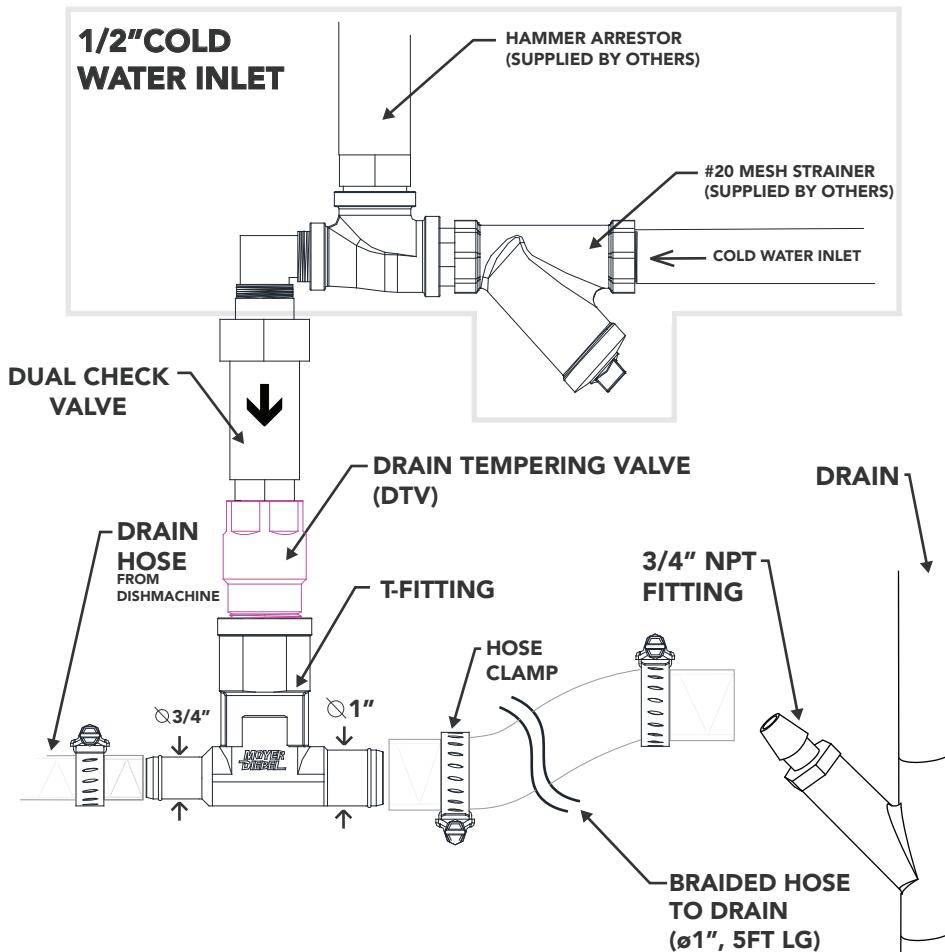


- ! WARRANTY VOID IF:**
- extension added to drain hose
  - syphon loop modified or removed
  - supplied drain fitting not used



•Drain connection with dedicated waste strongly recommended

## ASSEMBLY INSTRUCTIONS



- 1 Locate drain within 2' of rear of machine
- 2 Install  $\varnothing 1"$  drain hose (supplied) large side of tee fitting & fasten hose clamp
- 3 Install drain hose from dish machine to  $\varnothing 3/4"$  inlet port on tee fitting & fasten hose clamp
- 4 Connect  $3/4"$  NPT hose barb into y-fitting drain piping
- 5 Connect  $\varnothing 1"$  hose to  $3/4"$  NPT hose barb
- 6  $1/2"$  cold water supply connect to tee fitting  
Note: #20 mesh strainer & hammer arrestor are recommended with inlet cold water (not supplied)