



**IMPORTANT NOTE:**

Locate the Specification Label on unit to determine exact Model Name and electrical specifications. This information is needed to identify the correct replacement parts. See exploded view illustration(s) for Specification Label location.



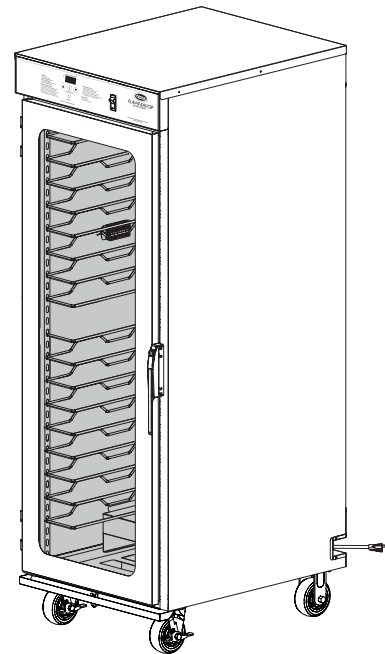
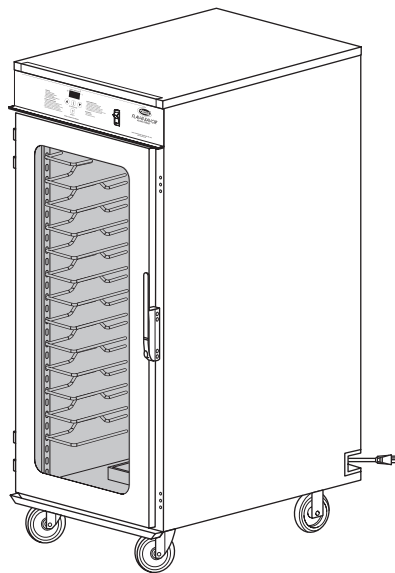
Use of replacement parts other than those supplied by Hatco Corporation may result in damage to unit or injury to personnel and will void all warranties.

# Flav-R-Savor<sup>®</sup>

## Tall Humidified Holding Cabinets

### *FSHC Series*

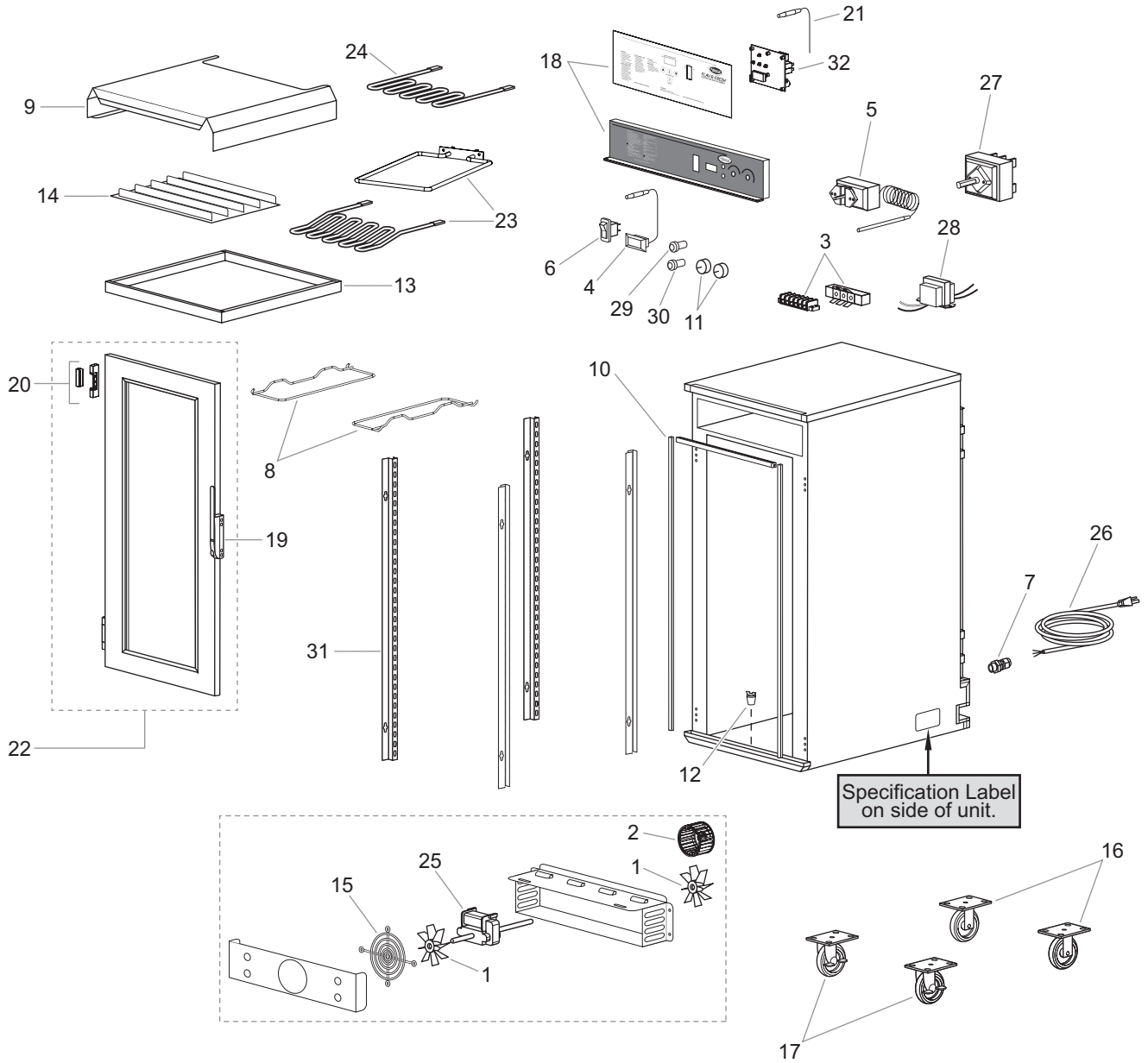
<u>Model Name</u>	<u>Page</u>
FSHC-12.....	2,4
FSHC-17.....	2,4



# Replacement Parts List

# Hatco Flav-R-Savor® Tall Humidified Holding Cabinet

## FSHC-12 and FSHC-17 Series



## Parts Common To All FSHC-12 and FSHC-17 Models

Item Description	Part No.	Qty.
1 Fan Blade, Blower		
Date Code 1518 or newer	X02.12.099.00	1
Date Code 1517 or older	X02.12.099.00	2
2 Wheel, Blower	X02.12.170.00	1
3 Terminal Block		
4 Pole, Lower Compartment	X02.15.078.00	1
6 Pole, Upper Compartment		
Date Code 1518 or newer	X02.15.076.00	1
Date Code 1517 or older	X02.15.053.00	1
4 Temperature Indicator (F°) ▣	R02.16.057.00	1
Temperature Indicator (C°) ▣	R02.16.058.00	1
5 Air Heat Thermostat w/ Bulb ▣	X02.16.142.00	1
6 On/Off Switch		
Date Code 1518 or newer	X02.19.253.00	1
Date Code 1517 or older	X02.19.188.00	1
7 Cord Grip Assembly	R02.20.259.00	1
8 Pan Slide	X04.17.1186.00	24–34
9 Heat Tunnel Cover		
Date Code 1518 or newer	X04.58.380.00	1
Date Code 1517 or older	X04.17.1277.00	1
10 Door Gasket		
FSHC-12 Models		
Single Door, Control Side	X05.06.185.00	1
Single Door, Non-Control Side	X05.06.182.00	1
FSHC-17 Models		
Single Door, Control Side	X05.06.180.00	1
Single Door, Non-Control Side	X05.06.184.00	1
Dutch Door, Upper	X05.06.179.00	1
Dutch Door, Lower	X05.06.183.00	1
Date Code 1517 or older ▣	X05.06.095.00	Per Foot
11 Control Knob ▣	05.30.019.00	2
12 Stopper, Drain		
Date Code 1518 or newer	X03.40.216.00	1–2
Date Code 1517 or older	X04.48.031.00	1–2
13 Water Pan		
Date Code 1518 or newer	X04.09.205.00	1
Date Code 1517 or older *	X04.48.029.00	1
14 Water Pan Baffle		
Date Code 1518 or newer	X04.58.360.00	1
Date Code 1517 or older ♦	X04.48.030.00	1

Item Description	Part No.	Qty.
15 Fan Guard	02.12.011.00	1
16 Caster 5", Rigid	X04.17.1382.00	2
17 Caster 5", Swivel and Brake	X04.17.1383.00	2
18 Decal, Control Plate, Digital	07.01.341.00	1
Decal, Control Plate, Mechanical ▣	X07.03.615.00	1
19 Door Handle	X04.26.391.00	1–4
20 Door Hinge	X04.26.390.00	2–8
21 Probe, Digital Temperature Controller	X02.01.477.00	1
22 Door Assembly Kits (For units with Date Code 1517 or newer only)		
FSHC-12W, Control Side, Lexan	X04.58.435.00	1
FSHC-12W, Control Side, S.S.	X04.58.446.00	1
FSHC-12W2, Non-Control Side, Lexan	X04.58.439.00	1
FSHC-12W2, Non-Control Side, S.S.	X04.58.445.00	1
FSHC-17W, Control Side, Lexan	X04.58.436.00	1
FSHC-17W, Control Side, S.S.	X04.58.444.00	1
FSHC-17W2, Non-Control Side, Lexan	X04.58.443.00	1
FSHC-17W2, Non-Control Side, S.S.	X04.58.447.00	1
FSHC-17W2D, Upper, Non-Control Side, Lexan	X04.58.442.00	1
FSHC-17W2D, Upper, Non-Control Side, S.S.	X04.58.437.00	1
FSHC-17W2D, Lower, Non-Control Side, Lexan	X04.58.440.00	1
FSHC-17W2D, Lower, Non-Control Side, S.S.	X04.58.438.00	1
FSHC-17WD, Upper, Control Side, S.S.	X04.58.441.00	1
FSHC-17D, Control Side, Lexan	X04.58.434.00	1
Electrical Drawings		
Date Code 1518 or newer	10.01.1226.00	
Date Code 1517 or older	10.01.529.00	

\* FSHC-12 and FSHC-17 models manufactured before February 15, 2006 use part number X04.48.053.00.

▣ For models with date code 1517 or older only.

♦ FSHC-12 and FSHC-17 models manufactured before February 15, 2006 use part number X04.48.052.00.

NOTE: "S.S." is an abbreviation for Stainless Steel.

NOTE: The last four digits in a ten digit numerical serial number are the manufacturing date code.

Example: Serial number 3330841531 has a date code of "1531" which indicates the following: 1531

└─ Week Thirty-One  
└─ Year 2015

## Voltage Specific Parts For All FSHC-12 and FSHC-17 Models

Item	Description	120V, 60 Hz	208/240 V, 60 Hz	220–240, 50/60 Hz
23	Water Heating Element			
	Date Code 1518 or newer	X02.08.696.00	X02.08.698.00	X02.08.698.00
	Date Code 1517 or older	X02.05.629.00	X02.05.671.00	X02.05.671.00
24	Air Heating Element			
	Date Code 1518 or newer	X02.08.697.00	X02.08.699.00	X02.08.699.00
	Date Code 1517 or older	R02.08.623.00	X02.08.622.00	X02.08.622.00
25	Blower Motor	R02.12.098.00	R02.12.106.00	R02.12.106.00
26	Power Cord and Plug	X02.18.254.00†	X02.18.256.00	X02.18.257.00‡ or X02.18.258.00‡
27	Humidity Control Switch <sup>▣</sup>	X02.19.187.00	X02.19.207.00	X02.19.207.00
28	Transformer, 24V	02.17.022.00	02.17.023.00	02.17.023.00
29	Indicator Light, Red <sup>▣</sup>	02.19.070R.00	02.19.071R.00	02.19.071R.00
30	Indicator Light, Green <sup>▣</sup>	02.19.070G.00	02.19.071G.00	02.19.071G.00
31	Upright Tray Slide Holder (Qty. 4)	X04.17.1404.00	X04.17.1404.00	X04.17.1404.00
32	Digital Temperature Controller	R02.01.273.00	R02.01.273.00	R02.01.273.00

The shaded areas contain information for **International models only**.

▣ For models with date code 1517 or older only.

† 120 Volt units for Canada use a 20 amp power cord and plug, P/N X02.18.222.00.

‡ 220–240 units for export use either X02.18.257.00 (BS 1363 style) or X02.18.258.00 (CEE 7/7 Schuko style).







# AUTHORIZED PARTS DISTRIBUTORS • DISTRIBUTEURS DE PIÈCES AUTORISÉS

## **ALABAMA**

Jones McLeod Appl. Svc.  
Birmingham 205-251-0159

## **ARIZONA**

Service Solutions Group  
Phoenix 602-234-2443

Byassee Equipment Co.  
Phoenix 602-252-0402

## **CALIFORNIA**

Industrial Electric  
Commercial Parts & Service, Inc.  
Huntington Beach 714-379-7100

Chapman Appl. Service  
San Diego 619-298-7106

P & D Appliance  
Commercial Parts & Service, Inc.  
S. San Francisco 650-635-1900

## **COLORADO**

Hawkins Commercial Appliance  
Englewood 303-781-5548

## **FLORIDA**

Whaley Foodservice Repair  
Jacksonville 904-725-7800

Whaley Foodservice Repair  
Orlando 407-757-0851

B.G.S.I.  
Pompano Beach 954-971-0456

Comm. Appliance Service  
Tampa 813-663-0313

## **GEORGIA**

TWC Services  
Mableton 770-438-9797

Heritage Service Group  
Norcross 866-388-9837

Southeastern Rest. Svc.  
Norcross 770-446-6177

## **HAWAII**

Burney's Comm. Service, Inc.  
Honolulu 808-848-1466

Food Equip Parts & Service  
Honolulu 808-847-4871

## **ILLINOIS**

Parts Town  
Lombard 708-865-7278

Eichenauer Elec. Service  
Decatur 217-429-4229

Midwest Elec. Appl. Service  
Elmhurst 630-279-8000

Cone's Repair Service  
Moline 309-797-5323

## **INDIANA**

GCS Service  
Indianapolis 800-727-8710

## **IOWA**

Goodwin Tucker Group  
Des Moines 515-262-9308

## **KENTUCKY**

Service Solutions Group  
Lexington 859-254-8854

Service Solutions Group  
Louisville 502-451-5411

## **LOUISIANA**

Chandlers Parts & Service  
Baton Rouge 225-272-6620

## **MARYLAND**

Electric Motor Service  
Baltimore 410-467-8080

GCS Service  
Silver Spring 301-585-7550

## **MASSACHUSETTS**

Ace Service Co., Inc.  
Needham 781-449-4220

## **MICHIGAN**

Bildons Appliance Service  
Detroit 248-478-3320

Commercial Kitchen Service  
Bay City 989-893-4561

Midwest Food Equip. Service  
Grandville 616-261-2000

## **MINNESOTA**

GCS Service  
Minnetonka 800-822-2303  
x20365

## **MISSOURI**

General Parts  
Kansas City 816-421-5400

Commercial Kitchen Services  
St. Louis 314-890-0700

Kaemmerlen Parts & Service  
St. Louis 314-535-2222

## **NEBRASKA**

Anderson Electric  
Omaha 402-341-1414

## **NEVADA**

Burney's Commercial  
Las Vegas 702-736-0006

Hi. Tech Commercial Service  
N. Las Vegas 702-649-4616

## **NEW JERSEY**

Jay Hill Repair  
Fairfield 973-575-9145

Service Plus  
Flanders 973-691-6300

## **NEW YORK**

Alpro Service Co.  
Maspeth 718-386-2515

Appliance Installation  
Buffalo 716-884-7425

Duffy's Equipment Services, Inc.  
Buffalo 800-836-1014

3Wire Northern  
Plattsburgh 800-634-5005

Duffy's Equipment Services, Inc.  
Sauquoit 800-836-1014

J.B. Brady, Inc.  
Syracuse 315-422-9271

## **NORTH CAROLINA**

Authorized Appliance  
Charlotte 704-377-4501

## **OHIO**

Akron/Canton Comm. Svc. Inc.  
Akron 330-753-6634

Service Solutions Group  
Cincinnati 513-772-6600

Commercial Parts and Service  
Columbus 614-221-0057

Electrical Appl. Repair Service  
Brooklyn Heights 216-459-8700

E. A. Wichman Co.  
Toledo 419-385-9121

## **OKLAHOMA**

Hagar Rest. Service, Inc.  
Oklahoma City 405-235-2184

Krueger, Inc.  
Oklahoma City 405-528-8883

## **OREGON**

Ron's Service, Inc.  
Portland 503-624-0890

## **PENNSYLVANIA**

Elmer Schultz Services  
Philadelphia 215-627-5401

FAST Comm. Appl. Service  
Philadelphia 215-288-4800

Appliance Installation & Service  
Pittsburgh 412-809-0244

K & D Service Co.  
Harrisburg 717-236-9039

Electric Repair Co.  
Reading 610-376-5444

## **RHODE ISLAND**

Marshall Electric Co.  
Providence 401-331-1163

## **SOUTH CAROLINA**

Whaley Foodservice Repair  
Lexington 803-996-9900

## **TENNESSEE**

Camp Electric  
Memphis 901-527-7543

## **TEXAS**

GCS Service  
Fort Worth 800-433-1804

Armstrong Repair Service  
Houston 713-666-7100

Cooking Equipment Specialist  
Mesquite 972-686-6666

Commercial Kitchen Repair Co.  
San Antonio 210-735-2811

## **UTAH**

La Monica's Rest. Equip. Service  
Murray 801-263-3221

## **VIRGINIA**

Daubers  
Norfolk 757-855-4097

Daubers  
Springfield 703-866-3600

## **WASHINGTON**

3Wire Restaurant Appliance  
Seattle 800-207-3146

## **WISCONSIN**

A.S.C., Inc.  
Madison 608-246-3160

A.S.C., Inc.  
Milwaukee 414-543-6460

## **CANADA**

### **ALBERTA**

Key Food Equipment Service  
Edmonton 780-438-1690

### **BRITISH COLUMBIA**

Key Food Equipment Service  
Vancouver 604-433-4484

Key Food Equipment Service  
Victoria 250-920-4888

### **MANITOBA**

Air Rite, Inc.  
Winnipeg 204-895-2300

### **NEW BRUNSWICK**

EMR Services, Ltd.  
Moncton 506-855-4228

### **ONTARIO**

R.G. Henderson Ltd.  
Toronto 416-422-5580

Choquette - CKS, Inc.  
Ottawa 613-739-8458

### **QUÉBEC**

Choquette - CKS, Inc.  
Montreal 514-722-2000

Choquette - CKS, Inc.  
Québec City 418-681-3944

## **UNITED KINGDOM**

Marren Group  
Northants +44(0)1933 665313

### **HATCO CORPORATION**

P.O. Box 340500

Milwaukee, WI 53234-0500 U.S.A.

800-558-0607 414-671-6350

partsandservice@hatcocorp.com

www.hatcocorp.com



24 Hour 7 Day Parts and Service  
Assistance available in the United States  
and Canada by calling 800-558-0607.