



1

2

- 1. Optional U-Clamp
- 2. Optional Front Flange



Note; RoHS applies only to SS internals

Description & Features:

- Pulsation resistant, liquid filled stainless steel case
- Glycerin filled standard
- Brass or lead free brass and stainless steel internals
- Restricted orifice standard on dual scale (included but not installed on single scale)
- Crimp-On bezel
- Single (psi) or dual scale (psi/kPa)/(psi/bar) available
- Optional U-Clamps and front flanges
- Dry case available
- ASME B40.100 and EN837-1 compliant
- CRN registered
- 5 year warranty

Applications:

- Ideal for pumps, compressors, hydraulic presses, machinery, pneumatic equipment and motors in harsh environments

| Specifications | |
|------------------------------------|---|
| Dial | 1.5" (40mm), 2" (50mm), 2.5" (63mm), 4" (100mm), white aluminum with black and red markings |
| Case | AISI 304 SS |
| Lens | 1.5" (40mm), 2" (50mm): Acrylic 2.5" (63mm), 4" (100mm): Polycarbonate |
| Ring | AISI 304 SS, Crimp-On |
| Socket | PFQ: OT 58 brass or AISI 316 SS PFQ-LF: Lead free brass |
| Connection | 1/8", 1/4" or 1/2" NPT standard with restricted orifice |
| Fill Liquid | Glycerin |
| Bourdon Tube | 1.5" (40mm), 2" (50mm): Phosphor bronze C or coil shaped for brass socket SS C or coil shaped for 316 SS socket 2.5" (63mm), 4" (100mm): Phosphor bronze or lead free phosphor bronze C or coil shaped for brass socket, AISI 316 SS C or coil shaped for 316 SS socket |
| Movement | OT 59 brass or SS |
| Pointer | Aluminum, anodized black |
| Welding | Brass: Silver alloy, 316SS: TIG |
| Over-pressure Limit | 25% for pressures up to 1,450 psi (9,998 kPa), 15% for pressures over 1,500 psi (10,342 kPa) |
| Socket Gasket | Buna N for two-piece internal socket seal |
| Fill Plug | Buna N |
| Lens Ring Gasket | Silicone rubber |
| Working Pressure | Maximum 75% of full scale value |
| Ambient/Process Temperature | Dry: -40°F to 200°F (-40°C to 93°C) Glycerin Filled: -4°F to 150°F (-20°C to 65°C) |
| Accuracy | 1.5" (40mm), 2" (50mm): ±2.5% of full scale value 2.5" (63mm), 4" (100mm): ±1.5% of full scale value |
| Enclosure Rating | IP65 |

Stainless Steel Liquid Filled Gauge, Lead Free Stainless Steel Liquid Filled Gauge

PFQ, PFQ-LF

Dual Scale Order Codes (products in bold are normally stock)

| Dial Size | 1.5" (40mm) | | | |
|---------------------------|----------------|----------------|-------------|----------------|
| | 1/8" Bottom | 1/8" Back (CB) | 1/8" Bottom | 1/8" Back (CB) |
| Movement, Socket, Tube | Brass | | SS | |
| 30" Hg Vac/kPa | - | - | PFQ1200 | PFQ1220 |
| 30"/0/15 psi/kPa | - | - | - | - |
| 30"/0/30 psi/kPa | - | - | - | - |
| 30"/0/60 psi/kPa | - | - | - | - |
| 30"/0/100 psi/kPa | - | - | - | - |
| 30"/0/150 psi/kPa | - | - | - | - |
| 30"/0/200 psi/kPa | - | - | - | - |
| 30"/0/300 psi/kPa | - | - | - | - |
| 0/15 psi/kPa | - | - | PFQ1201 | PFQ1221 |
| 0/30 psi/kPa | PFQ1102 | PFQ1122 | PFQ1202 | PFQ1222 |
| 0/60 psi/kPa | PFQ1103 | PFQ1123 | PFQ1203 | PFQ1223 |
| 0/100 psi/kPa | PFQ1104 | PFQ1124 | PFQ1204 | PFQ1224 |
| 0/160 psi/kPa | PFQ1105 | PFQ1125 | PFQ1205 | PFQ1225 |
| 0/200 psi/kPa | PFQ1106 | PFQ1126 | PFQ1206 | PFQ1226 |
| 0/300 psi/kPa | PFQ1107 | PFQ1127 | PFQ1207 | PFQ1227 |
| 0/400 psi/kPa | - | - | - | - |
| 0/600 psi/kPa | PFQ1108 | PFQ1128 | PFQ1208 | PFQ1228 |
| 0/1,000 psi/kPa | PFQ1109 | PFQ1129 | PFQ1209 | PFQ1229 |
| 0/1,500 psi/kPa | PFQ1110 | PFQ1130 | PFQ1210 | PFQ1230 |
| 0/2,000 psi/kPa | PFQ1111 | PFQ1131 | PFQ1211 | PFQ1231 |
| 0/3,000 psi/kPa | PFQ1112 | PFQ1132 | PFQ1212 | PFQ1232 |
| 0/5,000 psi/kPa | PFQ1113 | PFQ1133 | PFQ1213 | PFQ1233 |
| 0/6,000 psi/kPa | - | - | - | - |
| 0/10,000 psi/kPa | - | - | - | - |
| 0/15,000 psi/kPa | - | - | - | - |
| 0/20,000 psi/kPa | - | - | - | - |

Other ranges and connection sizes available upon request. For scale change, refer to How to Order Guide for scale codes. 1.5" (40mm) gauges are available dry (non-liquid filled) only on a special order basis. **For options, attach suffix to end of order code: i.e. PFQ1102-DRY for DRY CASE**

Option suffix:

15UC = 1.5" (40mm) U-Clamp

DRY = Supply 1.5" (40mm) gauge dry

Single Scale Order Codes (products in bold are normally stock)

| Dial Size | 2" (50mm) | | | | | | | |
|------------------------|-------------|----------------|-------------|----------------|-------------|----------------|-------------|----------------|
| Connection | 1/8" Bottom | 1/8" Back (CB) | 1/8" Bottom | 1/8" Back (CB) | 1/4" Bottom | 1/4" Back (CB) | 1/4" Bottom | 1/4" Back (CB) |
| Movement, Socket, Tube | Brass | | SS | | Brass | | SS | |
| 30" Hg Vac | PFQ2400R1 | PFQ2426R1 | PFQ2248R1 | PFQ2309R1 | PFQ2452R1 | PFQ2478R1 | PFQ2247R1 | PFQ2246R1 |
| 30"/0/15 psi | PFQ2401R1 | PFQ2427R1 | PFQ2295R1 | PFQ2310R1 | PFQ2453R1 | PFQ2479R1 | PFQ2271R1 | PFQ2282R1 |
| 30"/0/30 psi | PFQ2402R1 | PFQ2428R1 | PFQ2241R1 | PFQ2311R1 | PFQ2454R1 | PFQ2480R1 | PFQ2272R1 | PFQ2283R1 |
| 30"/0/60 psi | PFQ2403R1 | PFQ2429R1 | PFQ2296R1 | PFQ2312R1 | PFQ2455R1 | PFQ2481R1 | PFQ2273R1 | PFQ2242R1 |
| 30"/0/100 psi | PFQ2404R1 | PFQ2430R1 | PFQ2297R1 | PFQ2313R1 | PFQ2456R1 | PFQ2482R1 | PFQ2274R1 | PFQ2284R1 |
| 30"/0/160 psi | PFQ2405R1 | PFQ2431R1 | PFQ2298R1 | PFQ2314R1 | PFQ2457R1 | PFQ2483R1 | PFQ2275R1 | PFQ2285R1 |
| 30"/0/200 psi | PFQ2406R1 | PFQ2432R1 | PFQ2299R1 | PFQ2315R1 | PFQ2458R1 | PFQ2484R1 | PFQ2276R1 | PFQ2286R1 |
| 30"/0/300 psi | PFQ2407R1 | PFQ2433R1 | PFQ2300R1 | PFQ2316R1 | PFQ2459R1 | PFQ2485R1 | PFQ2277R1 | PFQ2287R1 |
| 0/15 psi | PFQ2408R1 | PFQ2434R1 | PFQ2218R1 | PFQ2217R1 | PFQ2460R1 | PFQ2486R1 | PFQ2215R1 | PFQ2214R1 |
| 0/30 psi | PFQ2409R1 | PFQ2435R1 | PFQ2253R1 | PFQ2252R1 | PFQ2461R1 | PFQ2487R1 | PFQ2250R1 | PFQ2249R1 |
| 0/60 psi | PFQ2410R1 | PFQ2436R1 | PFQ2270R1 | PFQ2269R1 | PFQ2462R1 | PFQ2488R1 | PFQ2266R1 | PFQ2265R1 |
| 0/100 psi | PFQ2411R1 | PFQ2437R1 | PFQ2209R1 | PFQ2208R1 | PFQ2463R1 | PFQ2489R1 | PFQ2205R1 | PFQ2204R1 |
| 0/160 psi | PFQ2412R1 | PFQ2438R1 | PFQ2206R1 | PFQ2207R1 | PFQ2464R1 | PFQ2490R1 | PFQ2220R1 | PFQ2219R1 |
| 0/200 psi | PFQ2413R1 | PFQ2439R1 | PFQ2301R1 | PFQ2951R1 | PFQ2465R1 | PFQ2491R1 | PFQ2267R1 | PFQ2268R1 |
| 0/300 psi | PFQ2414R1 | PFQ2440R1 | PFQ2245R1 | PFQ2318R1 | PFQ2466R1 | PFQ2492R1 | PFQ2244R1 | PFQ2243R1 |
| 0/400 psi | PFQ2415R1 | PFQ2441R1 | PFQ2302R1 | PFQ2319R1 | PFQ2467R1 | PFQ2493R1 | PFQ2254R1 | PFQ2288R1 |
| 0/600 psi | PFQ2416R1 | PFQ2442R1 | PFQ2264R1 | PFQ2320R1 | PFQ2468R1 | PFQ2494R1 | PFQ2278R1 | PFQ2289R1 |
| 0/1,000 psi | PFQ2417R1 | PFQ2443R1 | PFQ2203R1 | PFQ2321R1 | PFQ2469R1 | PFQ2495R1 | PFQ2202R1 | PFQ2201R1 |
| 0/1,500 psi | PFQ2418R1 | PFQ2444R1 | PFQ2213R1 | PFQ2322R1 | PFQ2470R1 | PFQ2496R1 | PFQ2212R1 | PFQ2211R1 |
| 0/2,000 psi | PFQ2419R1 | PFQ2445R1 | PFQ2304R1 | PFQ2323R1 | PFQ2471R1 | PFQ2497R1 | PFQ2279R1 | PFQ2290R1 |
| 0/3,000 psi | PFQ2420R1 | PFQ2446R1 | PFQ2305R1 | PFQ2324R1 | PFQ2472R1 | PFQ2498R1 | PFQ2280R1 | PFQ2291R1 |
| 0/5,000 psi | PFQ2421R1 | PFQ2447R1 | PFQ2258R1 | PFQ2257R1 | PFQ2473R1 | PFQ2499R1 | PFQ2256R1 | PFQ2255R1 |
| 0/6,000 psi | PFQ2422R1 | PFQ2448R1 | PFQ2262R1 | PFQ2261R1 | PFQ2474R1 | PFQ2500R1 | PFQ2260R1 | PFQ2259R1 |
| 0/7,500 psi | PFQ2423R1 | PFQ2449R1 | PFQ2306R1 | PFQ2325R1 | PFQ2475R1 | PFQ2501R1 | PFQ2281R1 | PFQ2292R1 |
| 0/10,000 psi | PFQ2424R1 | PFQ2450R1 | PFQ2307R1 | PFQ2326R1 | PFQ2476R1 | PFQ2502R1 | PFQ2200R1 | PFQ2293R1 |
| 0/15,000 psi | PFQ2425R1 | PFQ2451R1 | PFQ2308R1 | PFQ2327R1 | PFQ2477R1 | PFQ2503R1 | PFQ2210R1 | PFQ2294R1 |

| Dial Size | 2.5" (63mm) | | | |
|------------------------|-----------------|-----------------|-------------|----------------|
| Connection | 1/4" Bottom | 1/4" Back (CB) | 1/4" Bottom | 1/4" Back (CB) |
| Movement, Socket, Tube | Brass | | SS | |
| 30" Hg Vac | PFQ801R1 | PFQ900R1 | PFQ106R1 | PFQ147R1 |
| 30"/0/15 psi | PFQ790R1 | PFQ890R1 | PFQ107R1 | PFQ148R1 |
| 30"/0/30 psi | PFQ798R1 | PFQ898R1 | PFQ108R1 | PFQ149R1 |
| 30"/0/60 psi | PFQ799R1 | PFQ899R1 | PFQ109R1 | PFQ151R1 |
| 30"/0/100 psi | PFQ791R1 | PFQ891R1 | PFQ110R1 | PFQ156R1 |
| 30"/0/160 psi | PFQ792R1 | PFQ892R1 | PFQ111R1 | PFQ157R1 |
| 30"/0/200 psi | PFQ794R1 | PFQ894R1 | PFQ112R1 | PFQ158R1 |
| 30"/0/300 psi | PFQ795R1 | PFQ895R1 | PFQ113R1 | PFQ159R1 |
| 0/15 psi | PFQ800R1 | PFQ901R1 | PFQ118R1 | PFQ162R1 |
| 0/30 psi | PFQ802R1 | PFQ902R1 | PFQ119R1 | PFQ163R1 |
| 0/60 psi | PFQ803R1 | PFQ903R1 | PFQ120R1 | PFQ164R1 |
| 0/100 psi | PFQ804R1 | PFQ904R1 | PFQ121R1 | PFQ169R1 |
| 0/160 psi | PFQ805R1 | PFQ905R1 | PFQ122R1 | PFQ170R1 |
| 0/200 psi | PFQ806R1 | PFQ906R1 | PFQ123R1 | PFQ171R1 |
| 0/300 psi | PFQ807R1 | PFQ907R1 | PFQ124R1 | PFQ175R1 |
| 0/400 psi | PFQ817R1 | PFQ917R1 | PFQ125R1 | PFQ177R1 |
| 0/600 psi | PFQ808R1 | PFQ908R1 | PFQ126R1 | PFQ178R1 |
| 0/1,000 psi | PFQ809R1 | PFQ909R1 | PFQ127R1 | PFQ179R1 |
| 0/1,500 psi | PFQ816R1 | PFQ914R1 | PFQ128R1 | PFQ180R1 |
| 0/2,000 psi | PFQ810R1 | PFQ910R1 | PFQ129R1 | PFQ181R1 |
| 0/3,000 psi | PFQ811R1 | PFQ911R1 | PFQ137R1 | PFQ182R1 |
| 0/4,000 psi | PFQ819R1 | PFQ919R1 | - | - |
| 0/5,000 psi | PFQ812R1 | PFQ912R1 | PFQ138R1 | PFQ183R1 |
| 0/6,000 psi | PFQ814R1 | PFQ915R1 | PFQ139R1 | PFQ184R1 |
| 0/7,500 psi | PFQ818R1 | PFQ918R1 | PFQ144R1 | PFQ186R1 |
| 0/10,000 psi | PFQ813R1 | PFQ913R1 | PFQ145R1 | PFQ190R1 |
| 0/15,000 psi | - | - | PFQ146R1 | PFQ191R1 |

Other ranges and connection sizes available upon request. For scale change, refer to How to Order Guide for scale codes. Front flange for 2" (50mm) gauge is available. **For options, attach suffix to end of order code: i.e. PFQ806R1-DRY for DRY CASE**

Option suffix:
 2UC = 2" (50mm) U-Clamp
 25BF = 2.5" (63mm) Back flange
 25DRY = Supply 2.5" (63mm) gauge dry
 25FF = 2.5" (63mm) Front flange
 25UC = 2.5" (63mm) U-Clamp
 SF25 = 2.5" (63mm) Silicone filled

Stainless Steel Liquid Filled Gauge, Lead Free Stainless Steel Liquid Filled Gauge

PFQ, PFQ-LF

Dual Scale Order Codes (products in bold are normally stock)

| Dial Size | 2" (50mm) | | | | | | | |
|------------------------|-------------|----------------|----------------|----------------|----------------|----------------|----------------|----------------|
| Connection | 1/8" Bottom | 1/8" Back (CB) | 1/8" Bottom | 1/8" Back (CB) | 1/4" Bottom | 1/4" Back (CB) | 1/4" Bottom | 1/4" Back (CB) |
| Movement, Socket, Tube | Brass | | SS | | Brass | | SS | |
| 30" Hg Vac/kPa | PFQ2400 | PFQ2426 | PFQ2248 | PFQ2309 | PFQ2452 | PFQ2478 | PFQ2247 | PFQ2246 |
| 30"/0/15 psi/kPa | PFQ2401 | PFQ2427 | PFQ2295 | PFQ2310 | PFQ2453 | PFQ2479 | PFQ2271 | PFQ2282 |
| 30"/0/30 psi/kPa | PFQ2402 | PFQ2428 | PFQ2241 | PFQ2311 | PFQ2454 | PFQ2480 | PFQ2272 | PFQ2283 |
| 30"/0/60 psi/kPa | PFQ2403 | PFQ2429 | PFQ2296 | PFQ2312 | PFQ2455 | PFQ2481 | PFQ2273 | PFQ2242 |
| 30"/0/100 psi/kPa | PFQ2404 | PFQ2430 | PFQ2297 | PFQ2313 | PFQ2456 | PFQ2482 | PFQ2274 | PFQ2284 |
| 30"/0/150 psi/kPa | PFQ2405 | PFQ2431 | PFQ2298 | PFQ2314 | PFQ2457 | PFQ2483 | PFQ2275 | PFQ2285 |
| 30"/0/200 psi/kPa | PFQ2406 | PFQ2432 | PFQ2299 | PFQ2315 | PFQ2458 | PFQ2484 | PFQ2276 | PFQ2286 |
| 30"/0/300 psi/kPa | PFQ2407 | PFQ2433 | PFQ2300 | PFQ2316 | PFQ2459 | PFQ2485 | PFQ2277 | PFQ2287 |
| 0/15 psi/kPa | PFQ2408 | PFQ2434 | PFQ2218 | PFQ2217 | PFQ2460 | PFQ2486 | PFQ2215 | PFQ2214 |
| 0/30 psi/kPa | PFQ2409 | PFQ2435 | PFQ2253 | PFQ2252 | PFQ2461 | PFQ2487 | PFQ2250 | PFQ2249 |
| 0/60 psi/kPa | PFQ2410 | PFQ2436 | PFQ2270 | PFQ2269 | PFQ2462 | PFQ2488 | PFQ2266 | PFQ2265 |
| 0/100 psi/kPa | PFQ2411 | PFQ2437 | PFQ2209 | PFQ2208 | PFQ2463 | PFQ2489 | PFQ2205 | PFQ2204 |
| 0/160 psi/kPa | PFQ2412 | PFQ2438 | PFQ2206 | PFQ2207 | PFQ2464 | PFQ2490 | PFQ2220 | PFQ2219 |
| 0/200 psi/kPa | PFQ2413 | PFQ2439 | PFQ2301 | PFQ2951 | PFQ2465 | PFQ2491 | PFQ2267 | PFQ2268 |
| 0/300 psi/kPa | PFQ2414 | PFQ2440 | PFQ2245 | PFQ2318 | PFQ2466 | PFQ2492 | PFQ2244 | PFQ2243 |
| 0/400 psi/kPa | PFQ2415 | PFQ2441 | PFQ2302 | PFQ2319 | PFQ2467 | PFQ2493 | PFQ2254 | PFQ2288 |
| 0/600 psi/kPa | PFQ2416 | PFQ2442 | PFQ2264 | PFQ2320 | PFQ2468 | PFQ2494 | PFQ2278 | PFQ2289 |
| 0/1,000 psi/kPa | PFQ2417 | PFQ2443 | PFQ2203 | PFQ2321 | PFQ2469 | PFQ2495 | PFQ2202 | PFQ2201 |
| 0/1,500 psi/kPa | PFQ2418 | PFQ2444 | PFQ2213 | PFQ2322 | PFQ2470 | PFQ2496 | PFQ2212 | PFQ2211 |
| 0/2,000 psi/kPa | PFQ2419 | PFQ2445 | PFQ2304 | PFQ2323 | PFQ2471 | PFQ2497 | PFQ2279 | PFQ2290 |
| 0/3,000 psi/kPa | PFQ2420 | PFQ2446 | PFQ2305 | PFQ2324 | PFQ2472 | PFQ2498 | PFQ2280 | PFQ2291 |
| 0/5,000 psi/kPa | PFQ2421 | PFQ2447 | PFQ2258 | PFQ2257 | PFQ2473 | PFQ2499 | PFQ2256 | PFQ2255 |
| 0/6,000 psi/kPa | PFQ2422 | PFQ2448 | PFQ2262 | PFQ2261 | PFQ2474 | PFQ2500 | PFQ2260 | PFQ2259 |
| 0/7,500 psi/kPa | PFQ2423 | PFQ2449 | PFQ2306 | PFQ2325 | PFQ2475 | PFQ2501 | PFQ2281 | PFQ2292 |
| 0/10,000 psi/kPa | PFQ2424 | PFQ2450 | PFQ2307 | PFQ2326 | PFQ2476 | PFQ2502 | PFQ2200 | PFQ2293 |
| 0/15,000 psi/kPa | PFQ2425 | PFQ2451 | PFQ2308 | PFQ2327 | PFQ2477 | PFQ2503 | PFQ2210 | PFQ2294 |

Other ranges and connection sizes available upon request. For scale change, refer to How to Order Guide for scale codes. Front flange for 2" (50mm) gauge is available. **For options, attach suffix to end of order code: i.e. PFQ2218R1-DRY for DRY CASE**

Option suffix:

- 2FF = 2" (50mm) Front flange
- 2UC = 2" (50mm) U-Clamp
- DRY = Supply 2" (50mm) gauge dry

Dual Scale Order Codes (products in bold are normally stock)

| Dial Size | 2.5" (63mm) | | | |
|------------------------|---------------|----------------|---------------|----------------|
| | 1/4" Bottom | 1/4" Back (CB) | 1/4" Bottom | 1/4" Back (CB) |
| Movement, Socket, Tube | Brass | | SS | |
| 30" Hg Vac/kPa | PFQ801 | PFQ900 | PFQ106 | PFQ147 |
| 30"/0/15 psi/kPa | PFQ790 | PFQ890 | PFQ107 | PFQ148 |
| 30"/0/30 psi/kPa | PFQ798 | PFQ898 | PFQ108 | PFQ149 |
| 30"/0/60 psi/kPa | PFQ799 | PFQ899 | PFQ109 | PFQ151 |
| 30"/0/100 psi/kPa | PFQ791 | PFQ891 | PFQ110 | PFQ156 |
| 30"/0/150 psi/kPa | PFQ792 | PFQ892 | PFQ111 | PFQ157 |
| 30"/0/200 psi/kPa | PFQ794 | PFQ894 | PFQ112 | PFQ158 |
| 30"/0/300 psi/kPa | PFQ795 | PFQ895 | PFQ113 | PFQ159 |
| 0/15 psi/kPa | PFQ800 | PFQ901 | PFQ118 | PFQ162 |
| 0/30 psi/kPa | PFQ802 | PFQ902 | PFQ119 | PFQ163 |
| 0/60 psi/kPa | PFQ803 | PFQ903 | PFQ120 | PFQ164 |
| 0/100 psi/kPa | PFQ804 | PFQ904 | PFQ121 | PFQ169 |
| 0/160 psi/kPa | PFQ805 | PFQ905 | PFQ122 | PFQ170 |
| 0/200 psi/kPa | PFQ806 | PFQ906 | PFQ123 | PFQ171 |
| 0/300 psi/kPa | PFQ807 | PFQ907 | PFQ124 | PFQ175 |
| 0/400 psi/kPa | PFQ817 | PFQ917 | PFQ125 | PFQ177 |
| 0/600 psi/kPa | PFQ808 | PFQ908 | PFQ126 | PFQ178 |
| 0/1,000 psi/kPa | PFQ809 | PFQ909 | PFQ127 | PFQ179 |
| 0/1,500 psi/kPa | PFQ816 | PFQ914 | PFQ128 | PFQ180 |
| 0/2,000 psi/kPa | PFQ810 | PFQ910 | PFQ129 | PFQ181 |
| 0/3,000 psi/kPa | PFQ811 | PFQ911 | PFQ137 | PFQ182 |
| 0/4,000 psi/kPa | PFQ819 | PFQ919 | PFQ130 | - |
| 0/5,000 psi/kPa | PFQ812 | PFQ912 | PFQ138 | PFQ183 |
| 0/6,000 psi/kPa | PFQ814 | PFQ915 | PFQ139 | PFQ184 |
| 0/7,500 psi/kPa | PFQ818 | PFQ918 | PFQ144 | PFQ186 |
| 0/10,000 psi/kPa | PFQ813 | PFQ913 | PFQ145 | PFQ190 |
| 0/15,000 psi/kPa | - | - | PFQ146 | PFQ191 |

| Dial Size | 2.5" (63mm) | |
|------------------------|-------------|----------------|
| | 1/4" Bottom | 1/4" Back (CB) |
| Movement, Socket, Tube | Brass | |
| 30" Hg Vac/bar | PFQ801R1R11 | PFQ900R1R11 |
| 30"/0/15 psi/bar | PFQ790R1R11 | PFQ890R1R11 |
| 30"/0/30 psi/bar | PFQ798R1R11 | PFQ898R1R11 |
| 30"/0/60 psi/bar | PFQ799R1R11 | PFQ899R1R11 |
| 30"/0/100 psi/bar | PFQ791R1R11 | PFQ891R1R11 |
| 30"/0/160 psi/bar | PFQ792R1R11 | PFQ892R1R11 |
| 30"/0/200 psi/bar | PFQ794R1R11 | PFQ894R1R11 |
| 30"/0/300 psi/bar | PFQ795R1R11 | PFQ895R1R11 |
| 0/15 psi/bar | PFQ800R1R11 | PFQ901R1R11 |
| 0/30 psi/bar | PFQ802R1R11 | PFQ902R1R11 |
| 0/60 psi/bar | PFQ803R1R11 | PFQ903R1R11 |
| 0/100 psi/bar | PFQ804R1R11 | PFQ904R1R11 |
| 0/160 psi/bar | PFQ805R1R11 | PFQ905R1R11 |
| 0/200 psi/bar | PFQ806R1R11 | PFQ906R1R11 |
| 0/300 psi/bar | PFQ807R1R11 | PFQ907R1R11 |
| 0/400 psi/bar | PFQ817R1R11 | PFQ917R1R11 |
| 0/600 psi/bar | PFQ808R1R11 | PFQ908R1R11 |
| 0/1,000 psi/bar | PFQ809R1R11 | PFQ909R1R11 |
| 0/1,500 psi/bar | PFQ816R1R11 | PFQ914R1R11 |
| 0/2,000 psi/bar | PFQ810R1R11 | PFQ910R1R11 |
| 0/3,000 psi/bar | PFQ811R1R11 | PFQ911R1R11 |
| 0/4,000 psi/bar | PFQ819R1R11 | PFQ919R1R11 |
| 0/5,000 psi/bar | PFQ812R1R11 | PFQ912R1R11 |
| 0/6,000 psi/bar | PFQ814R1R11 | PFQ915R1R11 |
| 0/7,500 psi/bar | PFQ818R1R11 | PFQ918R1R11 |
| 0/10,000 psi/bar | PFQ813R1R11 | PFQ913R1R11 |

Other ranges and connection sizes available upon request. For scale change, refer to How to Order Guide for scale codes.

For options, attach suffix to end of order code: i.e. PFQ801-DRY for DRY CASE

Option suffix:

- 25BF = 2.5" (63mm) Back flange
- 25DRY = Supply 2.5" (63mm) gauge dry
- 25FF = 2.5" (63mm) Front flange
- 25UC = 2.5" (63mm) U-Clamp
- SF25 = 2.5" (63mm) Silicone filled

Stainless Steel Liquid Filled Gauge, Lead Free Stainless Steel Liquid Filled Gauge

PFQ, PFQ-LF

PFQ-LF Dual Scale Order Codes (products in bold are normally stock)

| Dial Size | 2.5" (63mm) | |
|-------------------|-----------------|----------------|
| | 1/4" Bottom | 1/4" Back (CB) |
| Connection | Lead Free Brass | |
| Socket, Tube | | |
| 30" Hg Vac/kPa | PFQ801LF | PFQ900LF |
| 30"/0/15 psi/kPa | PFQ790LF | PFQ890LF |
| 30"/0/30 psi/kPa | PFQ798LF | PFQ898LF |
| 30"/0/60 psi/kPa | PFQ799LF | PFQ899LF |
| 30"/0/100 psi/kPa | PFQ791LF | PFQ891LF |
| 30"/0/150 psi/kPa | PFQ792LF | PFQ892LF |
| 30"/0/200 psi/kPa | PFQ794LF | PFQ894LF |
| 30"/0/300 psi/kPa | PFQ795LF | PFQ895LF |
| 0/15 psi/kPa | PFQ800LF | PFQ901LF |
| 0/30 psi/kPa | PFQ802LF | PFQ902LF |
| 0/60 psi/kPa | PFQ803LF | PFQ903LF |
| 0/100 psi/kPa | PFQ804LF | PFQ904LF |
| 0/160 psi/kPa | PFQ805LF | PFQ905LF |
| 0/200 psi/kPa | PFQ806LF | PFQ906LF |
| 0/300 psi/kPa | PFQ807LF | PFQ907LF |
| 0/400 psi/kPa | PFQ817LF | PFQ917LF |
| 0/600 psi/kPa | PFQ808LF | PFQ908LF |
| 0/1,000 psi/kPa | PFQ809LF | PFQ909LF |
| 0/1,500 psi/kPa | PFQ816LF | PFQ914LF |
| 0/2,000 psi/kPa | PFQ810LF | PFQ910LF |
| 0/3,000 psi/kPa | PFQ811LF | PFQ911LF |
| 0/5,000 psi/kPa | PFQ812LF | PFQ912LF |
| 0/6,000 psi/kPa | PFQ814LF | PFQ915LF |
| 0/7,500 psi/kPa | PFQ818LF | PFQ918LF |
| 0/10,000 psi/kPa | PFQ813LF | PFQ913LF |
| 0/15,000 psi/kPa | - | - |

Single Scale Order Codes (products in bold are normally stock)

| Dial Size | 4" (100mm) | | | |
|------------------------|-----------------|----------------|-----------------|----------------|
| | 1/4" Bottom | 1/4" Back (CB) | 1/4" Bottom | 1/4" Back (CB) |
| Connection | Brass | | SS | |
| Movement, Socket, Tube | | | | |
| 30" Hg Vac | PFQ700R1 | PFQ730R1 | PFQ760R1 | PFQ1260R1 |
| 30"/0/15 psi | PFQ701R1 | PFQ731R1 | PFQ761R1 | PFQ1261R1 |
| 30"/0/30 psi | PFQ702R1 | PFQ732R1 | PFQ762R1 | PFQ1262R1 |
| 30"/0/60 psi | PFQ703R1 | PFQ733R1 | PFQ763R1 | PFQ1263R1 |
| 30"/0/100 psi | PFQ704R1 | PFQ734R1 | PFQ764R1 | PFQ1264R1 |
| 30"/0/160 psi | PFQ705R1 | PFQ735R1 | PFQ765R1 | PFQ1265R1 |
| 30"/0/200 psi | PFQ706R1 | PFQ736R1 | PFQ766R1 | PFQ1266R1 |
| 30"/0/300 psi | PFQ707R1 | PFQ737R1 | PFQ767R1 | PFQ1267R1 |
| 0/15 psi | PFQ708R1 | PFQ738R1 | PFQ768R1 | PFQ1268R1 |
| 0/30 psi | PFQ709R1 | PFQ739R1 | PFQ769R1 | PFQ1269R1 |
| 0/60 psi | PFQ710R1 | PFQ740R1 | PFQ770R1 | PFQ1270R1 |
| 0/100 psi | PFQ711R1 | PFQ741R1 | PFQ771R1 | PFQ1271R1 |
| 0/160 psi | PFQ712R1 | PFQ742R1 | PFQ772R1 | PFQ1272R1 |
| 0/200 psi | PFQ713R1 | PFQ743R1 | PFQ773R1 | PFQ1273R1 |
| 0/300 psi | PFQ714R1 | PFQ744R1 | PFQ774R1 | PFQ1274R1 |
| 0/400 psi | PFQ715R1 | PFQ745R1 | PFQ775R1 | PFQ1275R1 |
| 0/600 psi | PFQ716R1 | PFQ746R1 | PFQ776R1 | PFQ1276R1 |
| 0/1,000 psi | PFQ724R1 | PFQ192R1 | PFQ1528R1 | PFQ1552R1 |
| 0/1,500 psi | PFQ725R1 | PFQ241R1 | PFQ1529R1 | PFQ1553R1 |
| 0/2,000 psi | PFQ726R1 | PFQ242R1 | PFQ1530R1 | PFQ1554R1 |
| 0/3,000 psi | PFQ727R1 | PFQ243R1 | PFQ1531R1 | PFQ1555R1 |
| 0/5,000 psi | PFQ728R1 | PFQ244R1 | PFQ1532R1 | PFQ1556R1 |
| 0/6,000 psi | PFQ346R1 | PFQ246R1 | - | - |
| 0/7,500 psi | PFQ347R1 | PFQ247R1 | - | - |
| 0/10,000 psi | PFQ729R1 | PFQ360R1 | PFQ1533R1 | PFQ1557R1 |
| 0/15,000 psi | PFQ261R1 | PFQ361R1 | PFQ1534R1 | PFQ1558R1 |

Other ranges and connection sizes available upon request. For scale change, refer to How to Order Guide for scale codes.

For options, attach suffix to end of order code: i.e. PFQ728R1-DRY for DRY CASE

Option suffix:

25BF = 2.5" (63mm) Back flange
 25DRY = Supply 2.5" (63mm) gauge dry
 25FF = 2.5" (63mm) Front flange
 25UC = 2.5" (63mm) U-Clamp
 SF25 = 2.5" (63mm) Silicone filled

4BF = 4" (100mm) Back flange
 4FF = 4" (100mm) Front flange
 4UC-P = 4" (100mm) U-Clamp (for SS movement)
 4UC-Q = 4" (100mm) U-Clamp (for brass movement)

DRY = Supply 4" (100mm) gauge dry
 SF4 = 4" (100mm) Silicone filled

Single Scale Order Codes (products in bold are normally stock)

Dual Scale Order Codes (products in bold are normally stock)

| Dial Size | 4" (100mm) | | | |
|------------------------|-------------|----------------|------------------|----------------|
| | 1/2" Bottom | 1/2" Back (CB) | 1/2" Bottom | 1/2" Back (CB) |
| Movement, Socket, Tube | Brass | | SS | |
| 30" Hg Vac | PFQ1234R1 | PFQ1285R1 | PFQ1535R1 | PFQ1559R1 |
| 30"/0/15 psi | PFQ1235R1 | PFQ1286R1 | PFQ1536R1 | PFQ1560R1 |
| 30"/0/30 psi | PFQ1236R1 | PFQ1287R1 | PFQ1537R1 | PFQ1561R1 |
| 30"/0/60 psi | PFQ1237R1 | PFQ1288R1 | PFQ1538R1 | PFQ1562R1 |
| 30"/0/100 psi | PFQ1238R1 | PFQ1289R1 | PFQ1539R1 | PFQ1563R1 |
| 30"/0/160 psi | PFQ1239R1 | PFQ1290R1 | PFQ1540R1 | PFQ1564R1 |
| 30"/0/200 psi | PFQ1240R1 | PFQ1291R1 | PFQ1541R1 | PFQ1565R1 |
| 30"/0/300 psi | PFQ1241R1 | PFQ1292R1 | PFQ1542R1 | PFQ1566R1 |
| 0/15 psi | PFQ1242R1 | PFQ1293R1 | PFQ1543R1 | PFQ1567R1 |
| 0/30 psi | PFQ1243R1 | PFQ1294R1 | PFQ1544R1 | PFQ1568R1 |
| 0/60 psi | PFQ1244R1 | PFQ1295R1 | PFQ1545R1 | PFQ1569R1 |
| 0/100 psi | PFQ1245R1 | PFQ1296R1 | PFQ1546R1 | PFQ1570R1 |
| 0/160 psi | PFQ1246R1 | PFQ1298R1 | PFQ1547R1 | PFQ1571R1 |
| 0/200 psi | PFQ1247R1 | PFQ1524R1 | PFQ1548R1 | PFQ1572R1 |
| 0/300 psi | PFQ1248R1 | PFQ1525R1 | PFQ1549R1 | PFQ1573R1 |
| 0/400 psi | PFQ1249R1 | PFQ1526R1 | PFQ1550R1 | PFQ1574R1 |
| 0/600 psi | PFQ1250R1 | PFQ1527R1 | PFQ1551R1 | PFQ1575R1 |
| 0/1,000 psi | PFQ717R1 | PFQ747R1 | PFQ777R1 | PFQ1277R1 |
| 0/1,500 psi | PFQ718R1 | PFQ748R1 | PFQ778R1 | PFQ1278R1 |
| 0/2,000 psi | PFQ719R1 | PFQ749R1 | PFQ779R1 | PFQ1279R1 |
| 0/3,000 psi | PFQ720R1 | PFQ750R1 | PFQ780R1 | PFQ1280R1 |
| 0/5,000 psi | PFQ721R1 | PFQ751R1 | PFQ781R1 | PFQ1281R1 |
| 0/6,000 psi | PFQ784R1 | PFQ785R1 | PFQ789R1 | PFQ1284R1 |
| 0/7,500 psi | PFQ786R1 | PFQ886R1 | - | - |
| 0/10,000 psi | PFQ722R1 | PFQ752R1 | PFQ782R1 | PFQ1282R1 |
| 0/15,000 psi | PFQ723R1 | PFQ753R1 | PFQ783R1 | PFQ1283R1 |

| Dial Size | 4" (100mm) | | | |
|------------------------|---------------|----------------|----------------|----------------|
| | 1/4" Bottom | 1/4" Back (CB) | 1/4" Bottom | 1/4" Back (CB) |
| Movement, Socket, Tube | Brass | | SS | |
| 30" Hg Vac/kPa | PFQ700 | PFQ730 | PFQ760 | PFQ1260 |
| 30"/0/15 psi/kPa | PFQ701 | PFQ731 | PFQ761 | PFQ1261 |
| 30"/0/30 psi/kPa | PFQ702 | PFQ732 | PFQ762 | PFQ1262 |
| 30"/0/60 psi/kPa | PFQ703 | PFQ733 | PFQ763 | PFQ1263 |
| 30"/0/100 psi/kPa | PFQ704 | PFQ734 | PFQ764 | PFQ1264 |
| 30"/0/150 psi/kPa | PFQ705 | PFQ735 | PFQ765 | PFQ1265 |
| 30"/0/200 psi/kPa | PFQ706 | PFQ736 | PFQ766 | PFQ1266 |
| 30"/0/300 psi/kPa | PFQ707 | PFQ737 | PFQ767 | PFQ1267 |
| 0/15 psi/kPa | PFQ708 | PFQ738 | PFQ768 | PFQ1268 |
| 0/30 psi/kPa | PFQ709 | PFQ739 | PFQ769 | PFQ1269 |
| 0/60 psi/kPa | PFQ710 | PFQ740 | PFQ770 | PFQ1270 |
| 0/100 psi/kPa | PFQ711 | PFQ741 | PFQ771 | PFQ1271 |
| 0/160 psi/kPa | PFQ712 | PFQ742 | PFQ772 | PFQ1272 |
| 0/200 psi/kPa | PFQ713 | PFQ743 | PFQ773 | PFQ1273 |
| 0/300 psi/kPa | PFQ714 | PFQ744 | PFQ774 | PFQ1274 |
| 0/400 psi/kPa | PFQ715 | PFQ745 | PFQ775 | PFQ1275 |
| 0/600 psi/kPa | PFQ716 | PFQ746 | PFQ776 | PFQ1276 |
| 0/1,000 psi/kPa | PFQ724 | PFQ192 | PFQ1528 | PFQ1552 |
| 0/1,500 psi/kPa | PFQ725 | PFQ241 | PFQ1529 | PFQ1553 |
| 0/2,000 psi/kPa | PFQ726 | PFQ242 | PFQ1530 | PFQ1554 |
| 0/3,000 psi/kPa | PFQ727 | PFQ243 | PFQ1531 | PFQ1555 |
| 0/5,000 psi/kPa | PFQ728 | PFQ244 | PFQ1532 | PFQ1556 |
| 0/6,000 psi/kPa | PFQ346 | PFQ246 | - | - |
| 0/7,500 psi/kPa | PFQ347 | PFQ247 | - | - |
| 0/10,000 psi/kPa | PFQ729 | PFQ360 | PFQ1533 | PFQ1557 |
| 0/15,000 psi/kPa | PFQ261 | PFQ361 | PFQ1534 | PFQ1558 |

Other ranges and connection sizes available upon request. For scale change, refer to How to Order Guide for scale codes.
For options, attach suffix to end of order code: i.e. PFQ728-DRY for DRY CASE

Option suffix:

4BF = 4" (100mm) Back flange

4FF = 4" (100mm) Front flange

4UC-P = 4" (100mm) U-Clamp (for SS movement)

4UC-Q = 4" (100mm) U-Clamp (for brass movement)

DRY = Supply 4" (100mm) gauge dry

SF4 = 4" (100mm) Silicone filled

Stainless Steel Liquid Filled Gauge, Lead Free Stainless Steel Liquid Filled Gauge

PFQ, PFQ-LF

Dual Scale Order Codes (products in bold are normally stock)

| Dial Size | 4" (100mm) | | | |
|------------------------|----------------|----------------|----------------|----------------|
| | 1/2" Bottom | 1/2" Back (CB) | 1/2" Bottom | 1/2" Back (CB) |
| Movement, Socket, Tube | Brass | | SS | |
| 30" Hg Vac/kPa | PFQ1234 | PFQ1285 | PFQ1535 | PFQ1559 |
| 30"/0/15 psi/kPa | PFQ1235 | PFQ1286 | PFQ1536 | PFQ1560 |
| 30"/0/30 psi/kPa | PFQ1236 | PFQ1287 | PFQ1537 | PFQ1561 |
| 30"/0/60 psi/kPa | PFQ1237 | PFQ1288 | PFQ1538 | PFQ1562 |
| 30"/0/100 psi/kPa | PFQ1238 | PFQ1289 | PFQ1539 | PFQ1563 |
| 30"/0/150 psi/kPa | PFQ1239 | PFQ1290 | PFQ1540 | PFQ1564 |
| 30"/0/200 psi/kPa | PFQ1240 | PFQ1291 | PFQ1541 | PFQ1565 |
| 30"/0/300 psi/kPa | PFQ1241 | PFQ1292 | PFQ1542 | PFQ1566 |
| 0/15 psi/kPa | PFQ1242 | PFQ1293 | PFQ1543 | PFQ1567 |
| 0/30 psi/kPa | PFQ1243 | PFQ1294 | PFQ1544 | PFQ1568 |
| 0/60 psi/kPa | PFQ1244 | PFQ1295 | PFQ1545 | PFQ1569 |
| 0/100 psi/kPa | PFQ1245 | PFQ1296 | PFQ1546 | PFQ1570 |
| 0/160 psi/kPa | PFQ1246 | PFQ1298 | PFQ1547 | PFQ1571 |
| 0/200 psi/kPa | PFQ1247 | PFQ1524 | PFQ1548 | PFQ1572 |
| 0/300 psi/kPa | PFQ1248 | PFQ1525 | PFQ1549 | PFQ1573 |
| 0/400 psi/kPa | PFQ1249 | PFQ1526 | PFQ1550 | PFQ1574 |
| 0/600 psi/kPa | PFQ1250 | PFQ1527 | PFQ1551 | PFQ1575 |
| 0/1,000 psi/kPa | PFQ717 | PFQ747 | PFQ777 | PFQ1277 |
| 0/1,500 psi/kPa | PFQ718 | PFQ748 | PFQ778 | PFQ1278 |
| 0/2,000 psi/kPa | PFQ719 | PFQ749 | PFQ779 | PFQ1279 |
| 0/3,000 psi/kPa | PFQ720 | PFQ750 | PFQ780 | PFQ1280 |
| 0/5,000 psi/kPa | PFQ721 | PFQ751 | PFQ781 | PFQ1281 |
| 0/6,000 psi/kPa | PFQ784 | PFQ785 | PFQ789 | PFQ1284 |
| 0/7,500 psi/kPa | - | - | - | - |
| 0/10,000 psi/kPa | PFQ722 | PFQ752 | PFQ782 | PFQ1282 |
| 0/15,000 psi/kPa | PFQ723 | PFQ753 | PFQ783 | PFQ1283 |

PFQ-LF Dual Scale Order Codes (products in bold are normally stock)

| Dial Size | 4" (100mm) | | | |
|-------------------|-----------------|----------------|-------------|----------------|
| | 1/4" Bottom | 1/4" Back (CB) | 1/2" Bottom | 1/2" Back (CB) |
| Socket, Tube | Lead Free Brass | | | |
| 30" Hg Vac/kPa | PFQ700LF | PFQ730LF | PFQ1234LF | PFQ1285LF |
| 30"/0/15 psi/kPa | PFQ701LF | PFQ731LF | PFQ1235LF | PFQ1286LF |
| 30"/0/30 psi/kPa | PFQ702LF | PFQ732LF | PFQ1236LF | PFQ1287LF |
| 30"/0/60 psi/kPa | PFQ703LF | PFQ733LF | PFQ1237LF | PFQ1288LF |
| 30"/0/100 psi/kPa | PFQ704LF | PFQ734LF | PFQ1238LF | PFQ1289LF |
| 30"/0/150 psi/kPa | PFQ705LF | PFQ735LF | PFQ1239LF | PFQ1290LF |
| 30"/0/200 psi/kPa | PFQ706LF | PFQ736LF | PFQ1240LF | PFQ1291LF |
| 30"/0/300 psi/kPa | PFQ707LF | PFQ737LF | PFQ1241LF | PFQ1292LF |
| 0/15 psi/kPa | PFQ708LF | PFQ738LF | PFQ1242LF | PFQ1293LF |
| 0/30 psi/kPa | PFQ709LF | PFQ739LF | PFQ1243LF | PFQ1294LF |
| 0/60 psi/kPa | PFQ710LF | PFQ740LF | PFQ1244LF | PFQ1295LF |
| 0/100 psi/kPa | PFQ711LF | PFQ741LF | PFQ1245LF | PFQ1296LF |
| 0/160 psi/kPa | PFQ712LF | PFQ742LF | PFQ1246LF | PFQ1298LF |
| 0/200 psi/kPa | PFQ713LF | PFQ743LF | PFQ1247LF | PFQ1524LF |
| 0/300 psi/kPa | PFQ714LF | PFQ744LF | PFQ1248LF | PFQ1525LF |
| 0/400 psi/kPa | PFQ715LF | PFQ745LF | PFQ1249LF | PFQ1526LF |
| 0/600 psi/kPa | PFQ716LF | PFQ746LF | PFQ1250LF | PFQ1527LF |
| 0/1,000 psi/kPa | PFQ724LF | PFQ192LF | PFQ717LF | PFQ747LF |
| 0/1,500 psi/kPa | PFQ725LF | PFQ241LF | PFQ718LF | PFQ748LF |
| 0/2,000 psi/kPa | PFQ726LF | PFQ242LF | PFQ719LF | PFQ749LF |
| 0/3,000 psi/kPa | PFQ727LF | PFQ243LF | PFQ720LF | PFQ750LF |
| 0/5,000 psi/kPa | PFQ728LF | PFQ244LF | PFQ721LF | PFQ751LF |
| 0/6,000 psi/kPa | PFQ346LF | PFQ246LF | PFQ784LF | PFQ785LF |
| 0/7,500 psi/kPa | PFQ347LF | PFQ247LF | PFQ786LF | PFQ886LF |
| 0/10,000 psi/kPa | PFQ729LF | PFQ360LF | PFQ722LF | PFQ752LF |
| 0/15,000 psi/kPa | PFQ261LF | PFQ361LF | PFQ723LF | PFQ753LF |

Other ranges and connection sizes available upon request. For scale change, refer to How to Order Guide for scale codes.

For options, attach suffix to end of order code: i.e. PFQ721-DRY for DRY CASE

Option suffix:

4BF = 4" (100mm) Back flange

4FF = 4" (100mm) Front flange

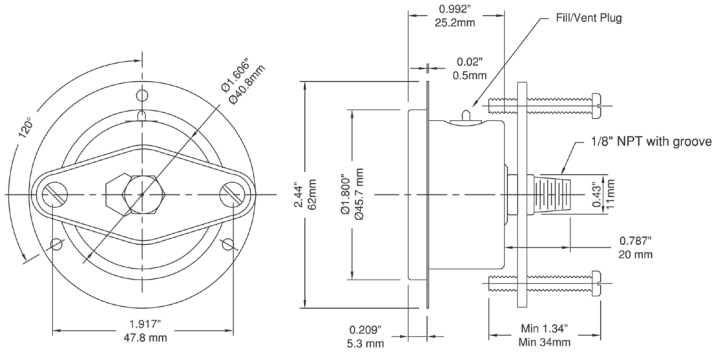
4UC-P = 4" (100mm) U-Clamp (for SS movement)

4UC-Q = 4" (100mm) U-Clamp (for brass movement)

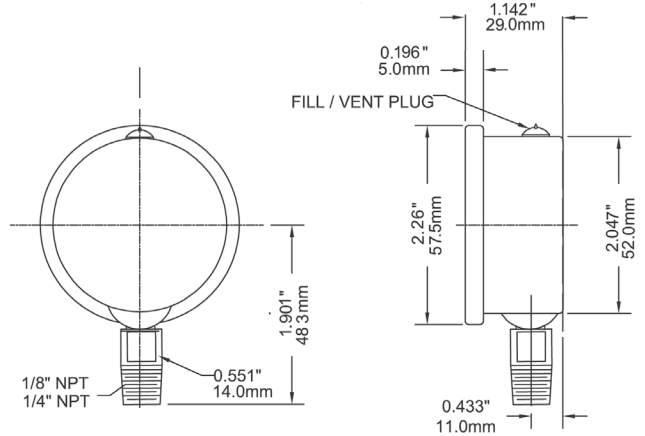
DRY = Supply 4" (100mm) gauge dry

SF4 = 4" (100mm) Silicone filled

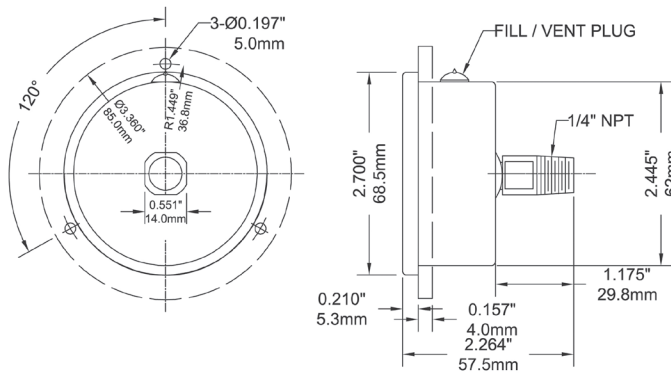
1.5" Back Connection with Front Flange and U-Clamp



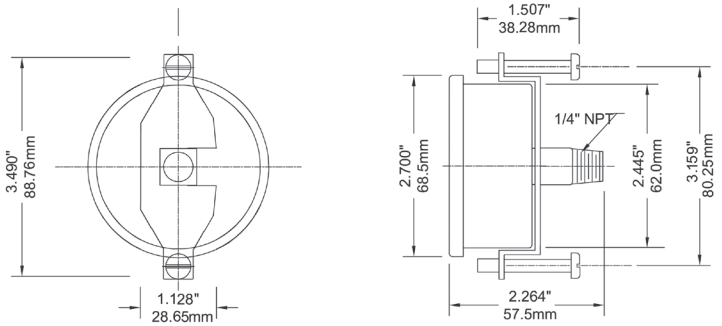
2" Bottom Connection



2.5" Back Connection with Front Flange



2.5" Back Connection with U-Clamp



4" Back Connection with Front Flange

