

GE Oil & Gas

Texsteam* MXG Pump

Gas/Pneumatic Driven Chemical Injection Pump

Texsteam performance and reliability in a new MX design



imagination at work

Texteam MXG gas/pneumatic driven chemical injection pumps deliver rangeability in performance and set a new bar for reliability

Legendary MX performance

What it is

The Texteam MXG pump extends the first to market MX pneumatic technology with new low flow capabilities and fewer components to provide the most accurate and dependable product for your pneumatic driven injection needs.

Features

- The spring-free design is easier to repair with no spring used in the pneumatic process
- The pump incorporates differentiated needle valves to more accurately regulate the speed of the pump
- "Stall-free pump" – the MXG delivers improved low flow capabilities combined with increased inlet pressure to expand minimum strokes per minute range
- ZERO BLEED* solution – the MXG is capable of 100% exhaust capture, eliminating fugitive emissions

Texteam MXG Technology benefits

- Stainless Steel 316 SS fluid end heads for long life
- Optional Ceramic coated plunger
- Light weight design
- Operates on Air or Gas
- Single exhaust opposite side of input for easy install
- Adjustable stroke
- Easy field serviceable with screw out pilot valve cap
- Low gas consumption

Ready for any job



MXG vertical mount, horizontal mount also available



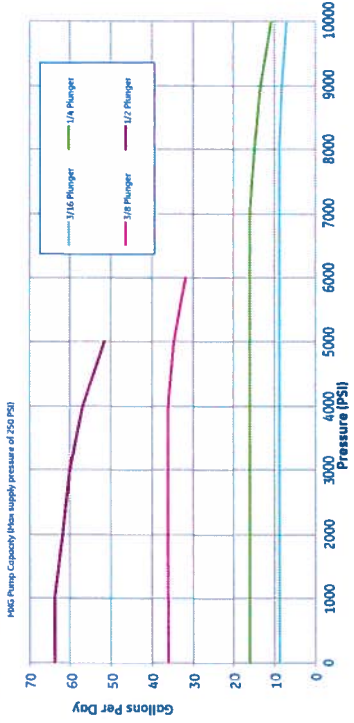
MXG duplex pump

Ordering the right model...

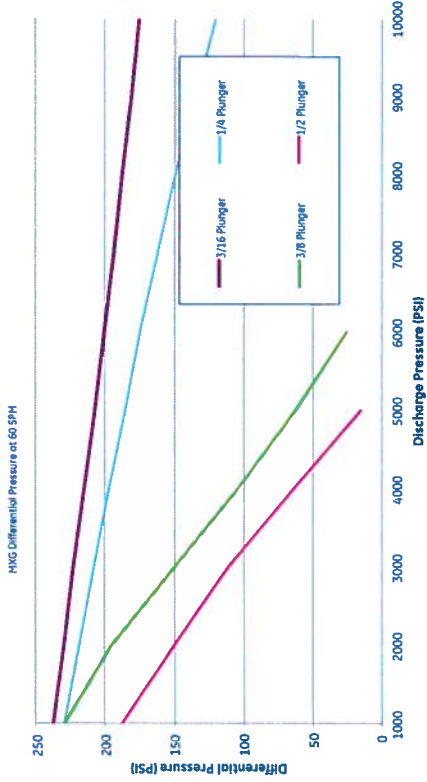
MXG Pump Sizing Matrix

1	1	AB	W	2	A
Plunger size	Number of Injector Head	Pump Model	Point	Head Trim Options	Configuration
4 = 3/16"	1 = Simplex 2 = Duplex	AB = Standard AM = Pump with Base Consult factory for other options	W = standard	SS & packing & O-ring materials (See part list for options)	A = standard
1 = 1/4"					
3 = 3/8"					

Up to 62 Gallons (235 liters) per day



Up to 250 psi exhaust gas capture





GE Oil & Gas
16240 Port Northwest Drive
Houston, Texas 77041-2645
Ph: +1 832 590 2306 Fax: +1 713 849 2879
Toll Free Phone: 800 945 9898
Email: textcompumpinquiries@ge.com

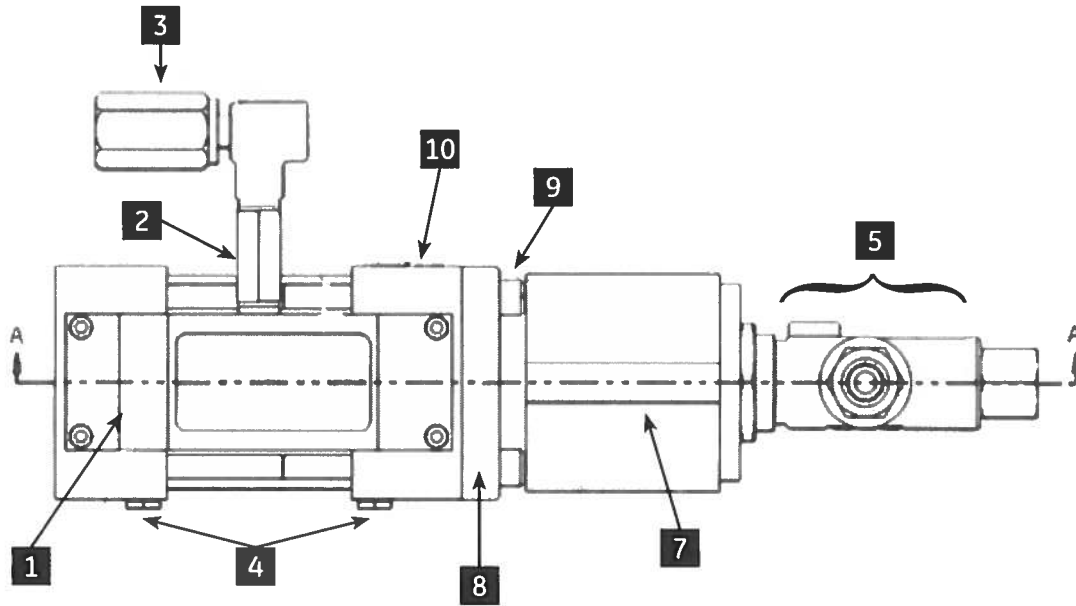
Visit us online at
www.ge.com/energy

*Denotes trademark of General Electric Company
© 2013 General Electric Company. All rights reserved.

GEA30645 04/2013

Texsteam* MXG Pump

Gas/Pneumatic Driven Chemical Injection Pump



MXG Parts List

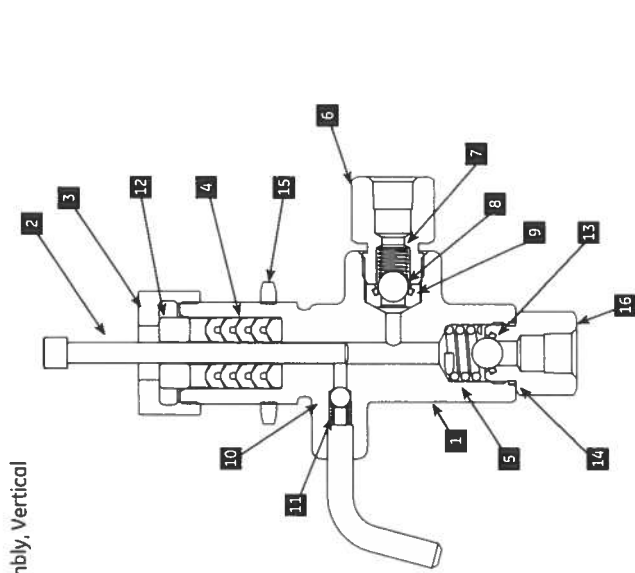
Item	Part Number	Number Required		Description
		Simplex	Duplex	
1	TC2209 TC2210 ¹	1	1	Power Cyl Assy MXG Pump Simplex Power Cyl Assy MXG Pump Duplex
2	TA 7062	1	1	Hex NippleE 1/4 MNPT X 1/4 MNPT
3	TA 5851	1	1	Calibrated Metering Valve .080
4	TA 6628	2	2	Breather Vent
5	See Head Assembly Chart	1	2	Head Assembly
6	TA 5953*	1	2	Plunger Drive Clip
7	TB 1595	1	2	Yoke Cover
8	TC 2114	1	2	Yoke Housing
9	P04-031100-3900	4	8	HSCS*5/16-24X1 18-8SS
10	TA 0171	2	2	Pin Escutcheon

¹for reference only, not shown in chart

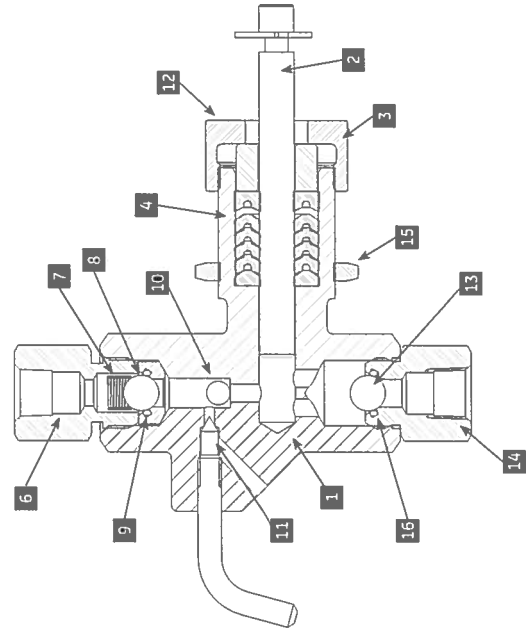
Texsteam Head Assembly, Vertical

Assembly Parts List

Item	Description	Material	No Req'd Per Head	Description		
				3/16"	1/4"	3/8"
	Head Assembly			TC 2121	TC 2122	TC 2123
1	Pump Head	316SS	1	TC 2115	TC 2116	TC 2117
2	Plunger	17-4PH SS	1	TA 6082	TA 6079	TA 6081
		Ceramic		TA 6278	TA 6280	TA 6282
3	Packing Gland	303 SS	1	TA 1462	TA 1463	TA 1219
		Buna-N		TA 3969	TA 1461	TA 1465
		Teflon		TA 3966	TA 1642	TA 1012
		Viton		TA 3967	TA 4102	TA 4101
4	Packing	Fluorosilicone	1 Set	TA 6574	TA 6257	TA 6258
		HP-Buna-N		TA 3948	TA 2295	TA 1875
		HP-Viton		TA 6253	TA 6555	TA 6556
		SDP		TA 7170	TA 7171	TA 7172
		Buna-N		TA 0479	TA 0479	TA 0479
		Teflon		TA 6159	TA 6159	TA 6159
		Viton		TA 2580	TA 2580	TA 2580
5	O-ring Suction & Discharge	Fluorosilicone	2	TA 4113	TA 4113	TA 4113
		Aflon		TA 5073	TA 5073	TA 5073
		Kalrez		TA 5037	TA 5037	TA 5037
6	Top Bushing	302 SST	1	TA 1496	TA 1496	TA 1496
7	Check Ball Spring	316 SS	1	TA 0077	TA 0077	TA 0077
8	Top Ball 3/8"	316 SS	1	TA 0054	TA 0054	TA 0054
9	Top Seat Assembly	Buna-N	1	TB 0734	TB 0734	TB 0734
10	Small Ball 1/4"	316 SS	1	TA 0126	TA 0126	TA 0126
	Priming Valve			TA 6272	TA 6272	TA 6272
	Prime Valve	303 SS	1	TA 6274	TA 6274	TA 6274
	Spring					
12	Nut Packing Gland	303 SS	1	TA 6353	TA 6353	TA 6353
13	Suction Ball 3/8"	316 SST	1	TA 0054	TA 0054	TA 0054
14	Bottom Bushing	Buna-N	1	TB 0735	TB 0735	TB 0735
15	Lock Nut	Brass	1	TA 0225	TA 0225	TA 0225
		Buna-N		TA 3230	TA 3230	TA 3230
		Teflon		TA 6165	TA 6165	TA 6165
		Viton		TA 4477	TA 4477	TA 4477
16	O-Ring	Fluorosilicone	1	TA 6207	TA 6207	TA 6207
		Aflon		TA 6061	TA 6061	TA 6061
		Kalrez		TA 6105	TA 6105	TA 6105



Texsteam Head Assembly, Horizontal



Packing Parts List

Plunger Size	Material	Temperature Range F (C)	Part Number
3/16"	Buna-N	-40 to 250 (-40 to 121)	TA 3969
	Teflon	-80 to 450 (-62 to 232)	TA 3966
	Aflas	0 to 450 (-17 to 232)	TA 6090
	Viton	-20 to 400 (-28 to 204)	TA 3967
	Fluorosilicone	-80 to 450 (-62 to 232)	TA 6574
	HP-Buna-N	-40 to 250 (-40 to 121)	TA 3948
	HP-Viton	0 to 450 (-17 to 232)	TA 6253
	SDP	-30 to 450 (-34 to 232)	TA 7170
1/4"	Buna-N	-40 to 250 (-40 to 121)	TA 1461
	Teflon	-80 to 450 (-62 to 232)	TA 1642
	Aflas	0 to 450 (-17 to 232)	TA 6276
	Viton	-20 to 400 (-28 to 204)	TA 4102
	Fluorosilicone	-80 to 450 (-62 to 232)	TA 6257
	HP-Buna-N	-40 to 250 (-40 to 121)	TA 2295
	HP-Viton	0 to 450 (-17 to 232)	TA 6555
	SDP	-30 to 450 (-34 to 232)	TA 7171
3/8"	Buna-N	-40 to 250 (-40 to 121)	TA 1456
	Teflon	-80 to 450 (-62 to 232)	TA 1234
	Viton	-20 to 400 (-28 to 204)	TA 4101
	Fluorosilicone	-80 to 450 (-62 to 232)	TA 6258
	HP-Buna-N	-40 to 250 (-40 to 121)	TA 1875
	HP-Viton	0 to 450 (-17 to 232)	TA 6556
	SDP	-30 to 450 (-34 to 232)	TA 7172
	1/2"	Buna-N	-40 to 250 (-40 to 121)
Teflon		-80 to 450 (-62 to 232)	TA 1012
Viton		-20 to 400 (-28 to 204)	TA 4103
Fluorosilicone		-80 to 450 (-62 to 232)	TA 6259
HP-Buna-N		-40 to 250 (-40 to 121)	TA 1874
HP-Viton		0 to 450 (-17 to 232)	TA 6557
SDP		-30 to 450 (-34 to 232)	TA 7173

Packing Materials



GE Oil & Gas
 16240 Port Northwest Drive
 Houston, Texas 77041 2645
 Ph: +1 832 590 2306 Fax: +1 713 849 2879
 Toll Free Phone: 800 945 8898
 Email: texsteampumps.inquiries@ge.com

Visit us online at
www.ge.com/energy

*Denotes trademark of General Electric Company
 © 2013 General Electric Company. All rights reserved.

GEA30647 04/2013