

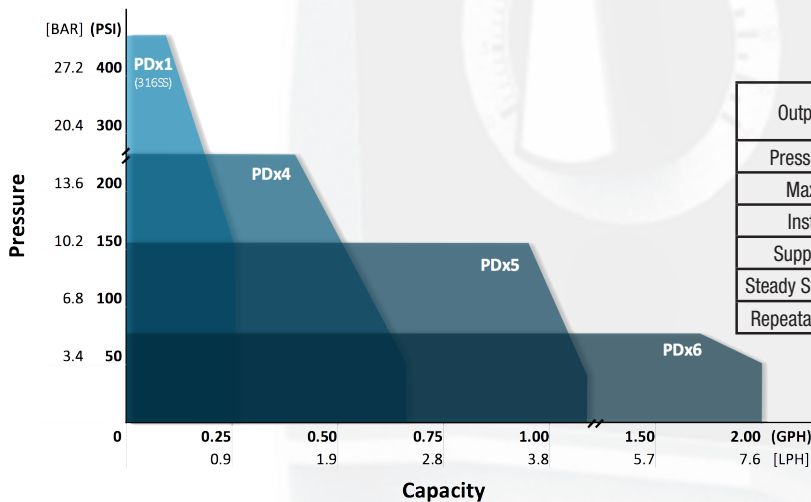
Chemical Metering Pump

Designed to Last

Introducing the PD Series chemical metering pump, the new standard in water treatment. This upgrade to LMI's most popular pump series includes an improved drive design, all new electronics, and proven FASTPRIME™ liquid ends. Available in Manual or Enhanced control models, the PD Series pump fits seamlessly into your process control application. The Manual model offers straightforward control without the need for tedious calculations. Its split-scale dial ensures precision, even at lower flow rates. The Enhanced model offers external control and a large graphical display to provide intuitive access to advanced features such as calibration assist, system and user totalizers, the new STAYPRIME™ degassing technology, and more.

Trusted by water treatment professionals for more than a generation, the PD Series chemical metering pump will continue to earn your trust for years to come.

Performance Specifications



Output Range	.002 – 2.0 GPH (.008 – 7.6 LPH)
Pressure Range	50-450 PSI (3.4-30.6 BAR)
Max Stroke	160 SPM
Installation	Indoor/Outdoor
Supply Voltage	115-230V / 50-60Hz
Steady State Accuracy	+/- 3%
Repeatable Accuracy	+/- 3%

FastPrime™ Liquid Ends*

	PSI	GPH	BAR	LPH
PDx1	450	0.10	30.6	0.38
	300	0.20	20.4	0.76
	150	0.25	10.2	0.95
PDx4	250	0.35	17.0	1.32
	150	0.52	10.2	1.97
	50	0.68	3.4	2.57
PDx5	150	0.80	10.2	3.03
	110	1.00	7.5	3.79
	30	1.10	2.0	4.20
PDx6	70	1.70	4.8	6.44
	60	1.85	4.1	7.00
	50	2.00	3.4	7.57

*Standard on PD0 and PD7 models

Features and Benefits

- Shared drive platform with universal 115-230V, 50/60 Hz power supply
- Flows from 2 GPH (7.57 LPH) up to 450 PSI (30.6 BAR)
- Simplified capacity control with constant stroke length to maintain calibration across the adjustable range
- Advanced electronics with dynamic compensation for temperature and voltage conditions
- FastPrime™ liquid ends (standard) that allow fast and easy priming with integrated bleed valve
- AutoPrime™ liquid ends (optional), designed specifically for off-gassing liquids (See page 4 for performance specifications)
- Rugged construction with NEMA 4X/IP 65 housing for the harshest environments and outdoor use
- Compact footprint for efficient use of space in process applications or OEM configuration
- Agency certifications - NSF 61 and 50 (pending), ETL, CE
- Built on decades of experience and fully backed by LMI's two-year warranty



Manual Model

Enhanced Model

Enhanced Functionality (PD7)

- **2.4" Color LCD** - Intuitive navigation allows you to configure and operate with ease – view status and alerts from a distance to confirm safe operation
- **External Control Inputs** - Automate your process with pulse pacing, remote start/stop, and tank level indication – ideal for proportional dosing
- **Calibration Assist** - Simply draw from a column and adjust the estimated value on-screen to the measured actual – calibration is that easy
- **System & User Totalizers** - An odometer for your pump that logs pump strokes, estimated volume, and power cycles – confirm pump operation between visits
- **StayPrime™ Degassing Technology** - Automates the priming cycle after a period of idle pump time to ensure prime

OUTPUT CODE 1 _____ 0.25 GPH (0.95 LPH); 450 psi (30.6 bar)

Drive End						
Control						
PD01	Manual Control		-			
PD71	Enhanced Control with Pulse Input, Remote Stop/Start, and Tank Level Input					
Power Code						
X	See Power Code Table					
Liquid End	Head	Fittings	Balls	Seat / O-Rings	Connections	RPM Kit
Machined FastPrime™						
907NP	316SS	316SS	316SS	316SS / PTFE	1/4" NPT	RPM-907
PD01	1	-907	N	P		

OUTPUT CODE 4 _____ 0.68 GPH (2.6 LPH); 250 psi (17.0 bar)

Drive End						
Control						
PD04	Manual Control		-			
PD74	Enhanced Control with Pulse Input, Remote Stop/Start, and Tank Level Input					
Power Code						
X	See Power Code Table					
Liquid End	Head	Fittings	Balls	Seat / O-Rings	RPM Kit	
Molded FastPrime™						
822	PVDF	PVDF	Ceramic	PTFE / Polyprel®	RPM-822	
823	PVDF	PVDF	Ceramic	PTFE / Polyprel®	RPM-823	
828	PVC	PVC	Ceramic	PTFE / Polyprel®	RPM-822	
Machined FastPrime™						
925	PP	PP	Ceramic	PTFE / Polyprel®	RPM-823	
927	316SS	316SS	316SS	316SS / PTFE	RPM-927	
928	PVC	PVC	Ceramic	PTFE / Polyprel®	RPM-822	
929	Acrylic	PVDF	PTFE	Polyprel®	RPM-929	
920	Acrylic	PVC	Ceramic	PTFE / Polyprel®	RPM-822	
AutoPrime™						
A28	PVC	PVC	Ceramic	PTFE / Polyprel®	RPM-A20A	
A20	Acrylic	PVC	Ceramic	PTFE / Polyprel®	RPM-A20A	
FastPrime Valve Code			AutoPrime Valve Code			
S	with 4 Function Valve		H	with 4 Function Valve		
N	-		A	-		
Connection Code			Also sold as			
I	Imperial		2			
M	Metric		3			
P	Pipe (1/4" NPT, 316SS only)		0			
PD04	1	- 822	S	I		

POWER CODE TABLE

Power Code	Voltage	Frequency	Plug
1	115/230V	50-60 Hz	110-120V US Plug, UL
2	115/230V	50-60 Hz	220-240V US Plug, UL
3	115/230V	50-60 Hz	220-240V DIN Plug, CE
5	115/230V	50-60 Hz	220-240V UK Plug, CE
6	115/230V	50-60 Hz	220-240V Aust/NZ Plug

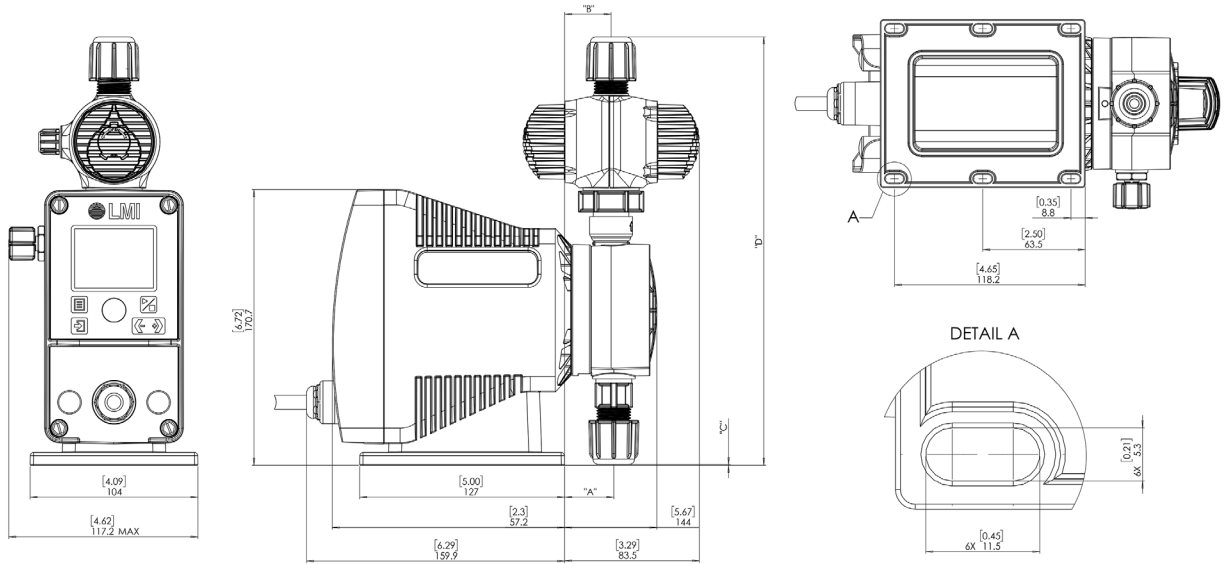
OUTPUT CODE 5 ————— 1.1 GPH (4.2 LPH); 150 psi (10.2 bar)

Drive End					
Control					
PD05	Manual Control	-			
PD75	Enhanced Control with Pulse Input, Remote Stop/Start, and Tank Level Input				
Power Code					
X	See Power Code Table				
Liquid End	Head	Fittings	Balls	Seat / O-Rings	RPM Kit
Molded FastPrime™					
832	PVDF	PVDF	Ceramic	Polyprel®	RPM-832
833	PVDF	PVDF	Ceramic	PTFE	RPM-833
838	PVC	PVC	Ceramic	Polyprel®	RPM-832
Machined FastPrime™					
935	PP	PP	Ceramic	PTFE	RPM-833
937	316SS	316SS	316SS	316SS / PTFE	RPM-937
938	PVC	PVC	Ceramic	Polyprel®	RPM-832
939	Acrylic	PVDF	PTFE	Polyprel®	RPM-939
930	Acrylic	PVC	Ceramic	Polyprel®	RPM-832
AutoPrime™					
A38	PVC	PVC	Ceramic	PTFE / Polyprel®	RPM-A30A
A30	Acrylic	PVC	Ceramic	PTFE / Polyprel®	RPM-A30A
FastPrime Valve Code			AutoPrime Valve Code		
S	with 4 Function Valve		H	with 4 Function Valve	
N	-		A	-	
Connection Code			Also sold as		
I	Imperial		2		
M	Metric		3		
P	Pipe (1/4" NPT, 316SS only)		0		
PD05	1	- 832	S	I	

OUTPUT CODE 6 ————— 2.0 GPH (7.6 LPH); 70 psi (4.8 bar)

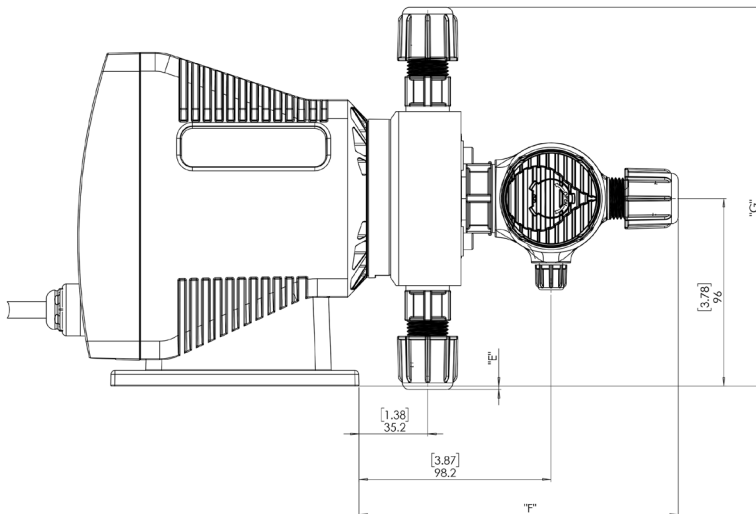
Drive End					
Control					
PD06	Manual Control	-			
PD76	Enhanced Control with Pulse Input, Remote Stop/Start, and Tank Level Input				
Power Code					
X	See Power Code Table				
Liquid End	Head	Fittings	Balls	Seat / O-Rings	RPM Kit
Molded FastPrime™					
842	PVDF	PVDF	Ceramic	Polyprel®	RPM-842
843	PVDF	PVDF	Ceramic	PTFE	RPM-843
848	PVC	PVC	Ceramic	Polyprel®	RPM-842
Machined FastPrime™					
945	PP	PP	Ceramic	PTFE	RPM-843
947	316SS	316SS	316SS	316SS / PTFE	RPM-947
948	PVC	PVC	Ceramic	Polyprel®	RPM-842
949	Acrylic	PVDF	PTFE	Polyprel®	RPM-949
940	Acrylic	PVC	Ceramic	Polyprel®	RPM-842
AutoPrime™					
A48	PVC	PVC	Ceramic	PTFE / Polyprel®	RPM-A40A
A40	Acrylic	PVC	Ceramic	PTFE / Polyprel®	RPM-A40A
FastPrime Valve Code			AutoPrime Valve Code		
S	with 4 Function Valve		H	with 4 Function Valve	
N	-		A	-	
Connection Code			Also sold as		
I	Imperial		2		
M	Metric		3		
P	Pipe (1/4" NPT, 316SS only)		0		
PD06	1	- 842	S	I	

Dimensions



LIQUID END MODEL	"A"		"B"		"C"		"D"	
	INCH	MM	INCH	MM	INCH	MM	INCH	MM
LE-7XXNX	1.20	30.5	1.13	28.8	0.34	8.6	7.84	199.2
LE-7XXNX	1.20	30.5	1.13	28.8	0.34	8.6	10.45	265.4
LE-8XXNX	1.20	30.5	1.13	28.8	0.01	0.3	8.17	207.5
LE-8XXSX	1.20	30.5	1.13	28.8	0.01	0.3	10.45	265.4
LE-90XNX, LE-92XNX, LE-93XNX	1.39	35.2	1.39	35.2	0.10	2.5	7.47	189.7
LE-90XSX, LE-92XSX, LE-93XSX	1.39	35.2	1.39	35.2	0.10	2.5	9.75	247.6
LE-94XNX	1.39	35.2	1.39	35.2	-0.07	-1.8	7.64	194
LE-94XSX	1.39	35.2	1.39	35.2	-0.07	-1.8	9.92	251.9

AUTOPRIME™ LIQUID END



LIQUID END MODEL	"E"		"F"		"G"	
	INCH	MM	INCH	MM	INCH	MM
LE-A1XNX, LE-A2XNX, LE-A3XNX	-0.10	-2.5	4.15	105.4	7.46	189.6
LE-A1XSX, LE-A2XSX, LE-A3XSX	-0.10	-2.5	6.43	163.3	7.46	189.6
LE-A4XNX	0.07	1.8	4.15	105.4	7.63	193.8
LE-A4XSX	0.07	1.8	6.43	163.3	7.63	193.8

Performance Specifications

	PSI	GPH	BAR	LPH
AutoPrime™ PDx4	250	0.20	17.0	0.76
	150	0.30	10.2	1.14
Degassing PDx5	110	0.75	7.5	2.84
	50	0.85	3.4	3.22
Liquid Ends PDx6	50	1.75	3.4	6.62
	30	1.85	2.0	7.00



We are a proud member of Accudyne Industries, a leading global provider of precision-engineered, process-critical and technologically advanced flow control systems and industrial compressors. Delivering consistently high levels of performance, we enable customers in the most important industries and harshest environments around the world to accomplish their missions.

FastPrime is a trademark of Milton Roy, LLC
 AutoPrime is a trademark of Milton Roy, LLC
 StayPrime is a trademark of Milton Roy, LLC
 Polyprel is a registered trademark of Milton Roy, LLC

Contact your local representative to find out more about Series PD Chemical Metering Pumps

www.limpumps.com
www.relyonLMI.com

