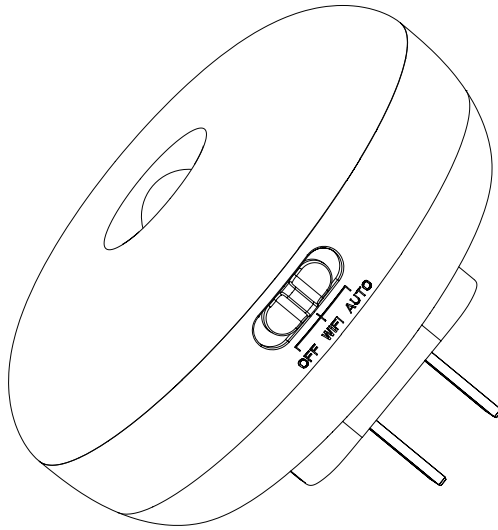




BLISSLIGHTS®

Bliss+Ember



User's Guide

Model: BlissEmber

TABLE OF CONTENTS

Introduction	2
Before You Begin.....	2
Parts List.....	2
Setting up the Light	3
Download the App	3
Product Specifications.....	4
Limited Warranty	5
Caution.....	5
Cleaning Instructions.....	5
Disposal.....	5

INTRODUCTION

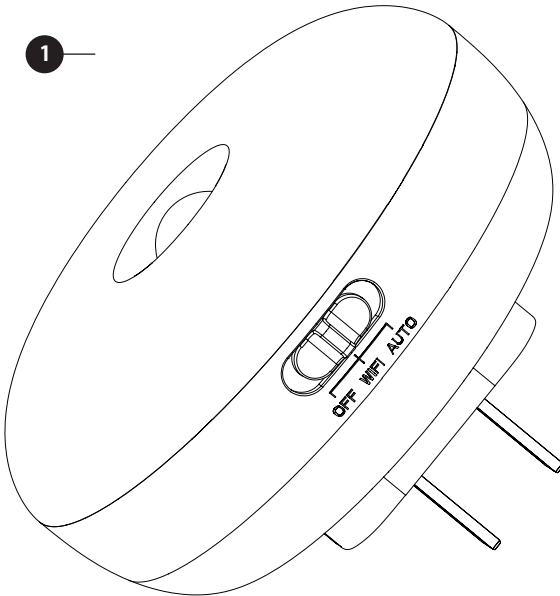
Thank you for purchasing the BlissLights BlissEmber RGB Night Light. This product is a smart, motion-sensing indoor light fixture that glows with white or colored lighting. Add to a child's room for a comforting glow, light walkways at night, or enjoy anywhere you could use an extra pop of color.

BEFORE YOU BEGIN

Immediately upon receiving the fixture, carefully unpack and check the carton contents to ensure that all parts are present and in good condition. Notify the retailer immediately and retain packing material for inspection if any parts appear damaged from shipping or the carton itself shows signs of mishandling. Save the carton and all packing materials. In the event that the fixture must be returned, it is important that the fixture be returned in the original factory box. Please see parts list below for box contents.

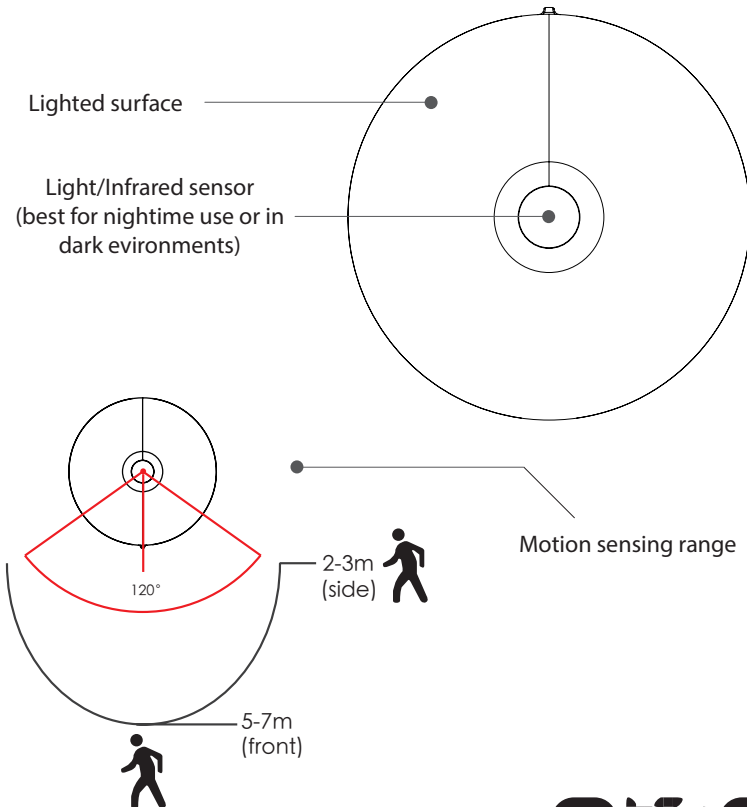
PARTS LIST:

- 1) BlissEmber RGB Night Light



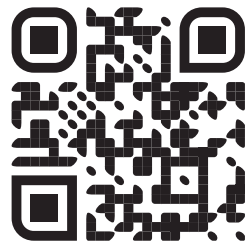
SETTING UP THE LIGHT

1. Insert the light into a compatible wall socket. It will power on immediately.
2. The light can be controlled through the BlissLights app, Google Home, or Alexa via Wifi. To enter smart pairing mode, toggle the switch to WIFI. It will blink when it is ready to be connected.
3. To activate motion-sensing mode, toggle the switch to AUTO.
4. To turn off the light, toggle the switch to OFF and unplug.
5. Keep away from water and heat sources. Do not cover the light while in use.



DOWNLOAD THE APP

You can control this light and additional BlissLights through our free app! Scan the QR code to download.



PRODUCT SPECIFICATIONS

LED Classification	RGBW
Housing	ABS + PC
Power Input	110-240 V
Power Output	0.6W - 1.2W
Operation	Indoor
Operating Temperature	32°F to 113°F (0°C to 45°C)
Maintenance	Maintenance Free
Dimensions	3.25" x 3.25" x 2.5"
Smart Compatibility	BlissLights App, Alexa, Google Home
Wi-Fi Connection	2.4GHz

BlissLights LLC
Oceanside, CA
Made in China

BLISSLIGHTS LIMITED WARRANTY

This product carries a limited warranty against defects in workmanship and materials. BlissLights LLC agrees to replace the defective product free of charge within the stated warranty period, when returned by the original purchaser with proof of purchase. This product is not guaranteed against wear or breakage due to misuse and/or abuse. For detailed warranty information for your country, please visit www.blisslights.com/warranty

CAUTION

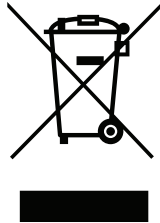
This is not a toy. Young children must be supervised while using this device at all times. This unit is not waterproof. Use and store indoors or in a dry place.

CLEANING INSTRUCTIONS

Surface clean only with a soft, dry cloth. Unplug unit before cleaning.

DISPOSAL

At the end of its serviceable life, this product should not be treated as household or general waste. It should be handed over to the applicable collection point for the recycling of electrical and electronic equipment.





www.blisslights.com