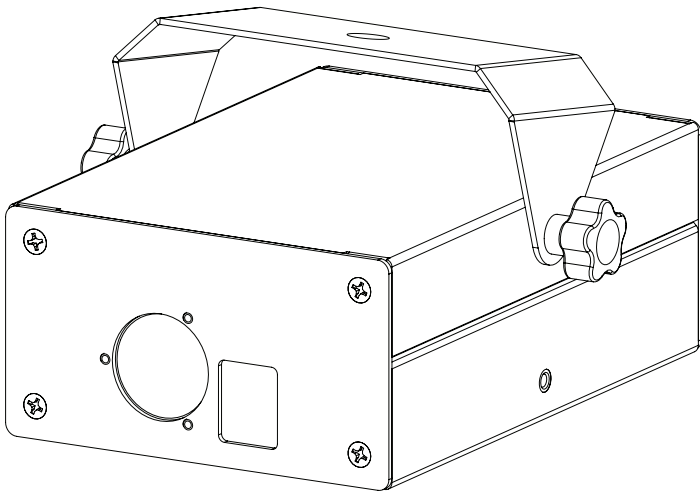




BL-50



User's Guide

Manufactured by: BlissLights
Phone: (888) 868-4603

www.blisslights.com
support@blisslights.com
MADE IN USA



Please ONLY use
manufacturer provided
power supply

TABLE OF CONTENTS

Notice	1
Introduction	2
Before You Begin.....	2
Parts List.....	2
Setting up the BL-50.....	2
Operating the BL-50	2
Installation Tips	3
Product Specifications.....	3
Limited Warranty	4
Owner Registration Card	4

NOTICE

CAUTION—Use of controls or adjustments or performance of procedures other than those specified herein may result in hazardous radiation exposure.

This laser product is certified as a CLASS 3R laser product, and adheres to the requirements of the US Federal Laser Product Performance Standard (FLPPS) contained in the regulations in 21 CFR Subchapter J.

Avoid direct eye contact of CLASS 3R laser energy as it can be hazardous. For reference, the FLPPS requirements for demonstration laser products, like laser pointers, are limited to CLASS 3R levels of laser energy. This product uses diffractive optics to scatter the beam energy. This scattering effect causes the energy concentration to drop below the exposure limits for momentary or accidental viewing at a relatively short distance from the laser aperture. As with all bright light-sources, when you operate this device in unsupervised general public areas, it is recommended that up-close access to the light be restricted or prevented.

This laser display device incorporates a CLASS 3B laser system which, by itself, may be hazardous. However, this laser display device incorporates a protective housing and diffractive holographic optics in the machine design so that there is no exposure or human access to laser radiation during operation or maintenance above the CLASS 3R limits. Each individual laser beamlet's power is under 5 mW, which is less than a standard laser pointer.

UNDER NO CIRCUMSTANCES shall attempts be made to open the protective housing or operate the device if the aperture window is damaged.

All service to this laser display device requiring the protective housing to be opened and/ or removed shall be performed by service personnel or their authorized agents. Opening the protective housing voids the warranty.

NO LASERS SHOULD BE POINTED INTO THE SKY WITHIN 10 NAUTICAL MILES(18.5 km) OF AN AIRPORT. IF YOU ARE LOCATED WITHIN THIS SPECIFIC PERIMETER, WE RECOMMEND THE LASERS BE POINTED DOWN AT THE GROUND SO NO STRAY BEAMS ARE PROJECTED INTO THE AIR. CHECK WITH YOUR LOCAL AIRPORT OR PROVINCIAL GUIDELINES FOR FURTHER INFORMATION.

INTRODUCTION

Thank you for purchasing the BL-50. The BL-50 is the pioneering product that started the magic of the company. This unique product creates an enormous “universe of stars” that will “wow” you! It is designed for both commercial and home owner applications. Watch thousands of moving pinpoints of green or blue light dance in pattern on a soft blue nebula cloud. It’s truly amazing to see such a compact projector produce such an enormous amount of light.

Each unit provides up to 50 x 50’ (15.2 x 15.2 m) of coverage. It has maximum electrical usage of 50 mW, which is more energy efficient than many LED landscape lights. The fixture housing is weather resistant metal for year-round indoor operation.

BEFORE YOU BEGIN

Immediately upon receiving the fixture, carefully unpack and check the carton contents to ensure that all parts are present and in good condition. Notify the shipper immediately and retain packing material for inspection if any parts appear damaged from shipping or the carton itself shows signs of mishandling. Save the carton and all packing materials. In the event that the fixture must be returned to the factory, it is important that the fixture be returned in the original factory box. Please see parts list below for box contents.

PARTS LIST:

- 1) 1 x BL-50 Laser Fixture
- 2) 1 x 6’ UL/CUL Power Cord

SETTING UP THE BL-50

Before operating your laser projector, please read the “Before you Begin” section and “Notice” section of this user guide.

This product is a plug and play product and does not require assembly before operation. Simply plug in the supplied power transformer or power cord and position the power switch to “ON”.

OPERATING THE BL-50

Switch the power on to fill your environment with a “universe of stars”. Turn the brightness knob located at the back of the Blisslights to control the brightness of the “nebula” cloud. Be sure to not connect this product to a dimmer pack. If you are going to hang the product, it is recommended that, for safety purposes, your product is properly mounted using a suitable hanging clamp and safety cable.

Note: This product is designed for indoor use only.

INSTALLATION TIPS

- **Do not connect the light to a dimmer pack, as a dimmer accessory may damage the laser component.**
- Use only the manufacturer-provided UL/CUL power supply.
- **Limit the use of extension cords.** If you need an extension cord, use only UL, CUL, or CSA approved 3rd party extension cords. When using outdoors, **ONLY** use extension cords that are weather resistant, such as waterproof cords.
- The darker the display area, the brighter your projection will appear. Try to avoid display areas with strong ambient light sources, such as commercial street lights or bright security flood lights.
- If you choose to mount the BL-50 for downlighting (e.g. from balcony railing, fence line, roof line, etc.), it is recommended that, for safety purposes, your lights are properly mounted using a suitable hanging clamp and safety cable.

PRODUCT SPECIFICATIONS

Dimensions	3.5 x 6.5 x 9.25" Cord length: 6'
Housing	Metal
Laser Classification	Class 3R
Laser Wavelength	Green—532 nm, Blue—445 nm
LED Wavelength	455 nm
Maintenance	Maintenance free
Power Consumption	50 mW for laser, 10 mW for LED
Power Supply Input	110 V AC (with provided UL/CUL transformer)
Light Input	12 VDC
Operating Temperature	-22°F to 85°F (-30°C to 29°C)
Operation	Indoor
Projection Coverage	Up to 50 x 50' (15.2 x 15.2 m)
Warranty	One-year warranty



LIMITED WARRANTY

This limited warranty is provided by BlissLights LLC, San Marcos, California, U.S.A 92069 ("BlissLights"). BlissLights warrants that BlissLights' lighting products (the "Product"), when delivered in new condition and in its original packaging, will be free of defects in material and workmanship for a period of ONE (1) YEAR from the date of original purchase. The determination of whether the Product is defective shall be made by BlissLights in its sole discretion with the consideration given to the overall performance of the Product.

This limited warranty is applicable only to Products purchased from www.blisslights.com, Products purchased through a phone order placed directly to BlissLights and Products purchased from an authorized BlissLights distributor or retailer. THIS LIMITED WARRANTY IS VOID IF THE PRODUCT IS PURCHASED FROM ANY PERSON OR ENTITY OTHER THAN BLISSLIGHTS OR AN AUTHORIZED BLISSLIGHTS DISTRIBUTOR OR RETAILER.

BlissLights obligations under this limited warranty are subject to the following:

This limited warranty does not cover Products that have been altered, modified, or damaged.

This limited warranty does not cover loss or damage due to normal wear, rust, abuse, improper maintenance, improper installation, improper storage and/or improper use.

This limited warranty shall not apply to the finish on any portion of the Product, such as surface and/or weathering, as this is considered normal wear.

This limited warranty shall not apply to a failure of the Product resulting from an accident, misuse, abuse and/or negligence or any failure not relating to defects in material or workmanship.

This limited warranty extends to the original purchaser only and is not transferable or assignable to subsequent purchasers.

In order to make a warranty claim, you must notify BlissLights in writing within sixty (60) days after your discovery of the defect, provide proof of purchase and comply with BlissLights' other warranty requirements. Upon receiving that notice, BlissLights may require you to promptly return the Product to BlissLights. Your warranty claim should be addressed to BlissLights LLC, 1224 Exposition Way, Suite #130, San Diego, Ca 92154.

THE FOREGOING WARRANTY PROVISIONS ARE EXCLUSIVE AND ARE GIVEN AND ACCEPTED IN LIEU OF ANY AND ALL OTHER WARRANTIES, WHETHER EXPRESS OR IMPLIED, INCLUDING WITHOUT LIMITATION ANY WARRANTY AGAINST INFRINGEMENT AND ANY IMPLIED WARRANTIES OF MERCHANTABILITY OR FITNESS FOR A PARTICULAR PURPOSE.

IN NO EVENT SHALL BLISSLIGHTS BE LIABLE FOR INCIDENTAL, COMPENSATORY, CONSEQUENTIAL, INDIRECT, SPECIAL OR OTHER DAMAGES. BLISSLIGHTS' AGGREGATE LIABILITY WITH RESPECT TO A DEFECTIVE PRODUCT SHALL IN ANY EVENT BE LIMITED TO THE PURCHASE PRICE OF THE DEFECTIVE PRODUCT.

Please contact BlissLights at support@blisslights.com, or 1-888-868-4603.

Owner Registration Card

Please fill out, cut along dashed line, affix proper postage and return this Owner Registration Card to insure that your new BlissLights is covered by the limited warranty. You can also register your product online by going to www.blisslights.com.

Registering your product will help expedite your warranty related requests, but is not required.

Mailing Address: BlissLights, 100 E San Marcos Blvd, San Marcos, CA 92069

Purchaser's Name: _____

Address: _____

City / State / Province: _____ Zip: _____

Email: _____

BlissLights Product: _____ Purchase Date: _____

Where Purchased (Store Name) _____

Where will the BlissLights be used: _____

If commercial institution, what type of business?

Restaurant Bar Store Office Other: _____

If home installation, where?

Walkway Patio Garden Area Porch Other: _____

Model/UPC Number: _____