

INSTRUCTIONS
Country Comfort
Portable WATER HEATER
For outdoor use only

IMPORTANT. Read these instructions for use carefully. Familiarise yourself with the appliance before connecting it to its gas container. Keep these instructions for future reference.

ONLY USE IN WELL-VENTILATED AREAS

CARBON MONOXIDE HAZARD—THIS APPLIANCE CAN PRODUCE CARBON MONOXIDE WHICH HAS NO ODOUR. USING IT IN AN ENCLOSED SPACE (FOR EXAMPLE, CARAVAN, TENT, CAR, MOBILE HOME) MAY CAUSE DEATH

CAUTION: accessible parts may be very hot. Keep young children away

WARNING! USE OUTDOORS ONLY. See operating instructions

DO NOT MODIFY THIS APPLIANCE

Do not use this appliance if it is leaking, damaged or does not operate properly

THIS APPLIANCE IS NOT INTENDED FOR THE SUPPLY OF DRINKING WATER

CHECK AND CONFIRM SAFE WATER TEMPERATURE BEFORE USING THIS APPLIANCE. WATER FROM THIS APPLIANCE MAY BE VERY HOT.

This appliance must be protected from rain

TECHNICAL ASSISTANCE AND SPARE PARTS

Before this appliance left the factory it was tested and set by specialized, expert personnel to guarantee the best functioning results.

This appliance must only be serviced by an authorized person

For this reason we always recommend contacting the nearest Assistance Centre of ours, specifying the brand, model, serial number and type of problem you are having with it. You will find the relative data printed on a label affixed behind the appliance and on the label affixed on the cover of this handbook.

With this information the technical assistant can come with the right spares and guarantee a prompt job.

You will find original parts and optional accessories at our Technical Assistance Centres and authorised dealers:

For service and replacement parts contact:

Turnstyle Enterprises Pty Ltd

PO Box 341 Woonona NSW 2516

Phone 0438 242 873

CONTENTS

- 1. IMPORTANT NOTES AND PRECAUTIONS FOR USE**
- 2. DESCRIPTION OF THE APPLIANCE**
 - Performance specification
 - Main technical data & technical feature
 - Description of control function
- 3. INSTRUCTIONS FOR THE USER: USE OPERATION**
 - Start up
 - Ignition
 - Temperature control
 - Shut off
 - Restart
 - Notes on safety**
- 4. INSTRUCTIONS FOR THE USER: CLEANING AND MAINTENANCE**
 - Cleaning
 - Maintenance
 - Check gas leakage
 - How to take against frost
- 5. WHAT TO DO IF**

1. IMPORTANT NOTES AND PRECAUTIONS FOR USE

You have purchased one of our products for which we thank you. We are confident that this new appliance, modern, functional and practical, made with top quality materials, will meet all your demands .

This new appliance is easy to use but before installing and using it, **it is important to read this handbook**

through carefully. It provides information for a safe installation, use and maintenance. Keep this handbook in a safe place for future reference.

The manufacturer reserves the right to make all the modifications to its products that it deems necessary or

useful, also in your interests, without prejudicing its essential functional and safety characteristics.

The manufacturer cannot be held responsible for any inaccuracies due to printing or transcription errors that

may be found in this **handbook**.

N.B.: the pictures shown in the figures in this handbook are purely indicative..

* The **installation**, adjustments and maintenance jobs must only be carried out by an **authorised person**.

• The installation of all-gas and combustion appliances must comply with the standards in force.

* The appliance must only be used for what it has been made for heating water. Any other use is considered

improper and, as such, dangerous.

* The manufacturer cannot be held responsible for any harm to people or damage to things deriving from an

incorrect installation or maintenance or from an erroneous use of the appliance.

* Once the outer wrapping and the inner wrappings of the various parts have been removed, check and

make sure that the appliance is in perfect condition. If you have any doubts do not use the appliance and call in

a qualified person.

* The packaging materials used (cardboard, bags, polystyrene foam, nails, etc.) must not be left anywhere in

easy reach of children because they are a potential hazard source. To safeguard the environment all packaging

materials are environment friendly and recyclable.

* Prior to connecting the appliance ensure that the rating plate data correspond to those of the gas .

* In the case of a failure and/or malfunction, All repairs or settings must be done with maximum care and

attention by an **authorised person**. For this reason we recommend you call the nearest Assistance Centre of

ours, explaining the trouble and giving the name of the model.

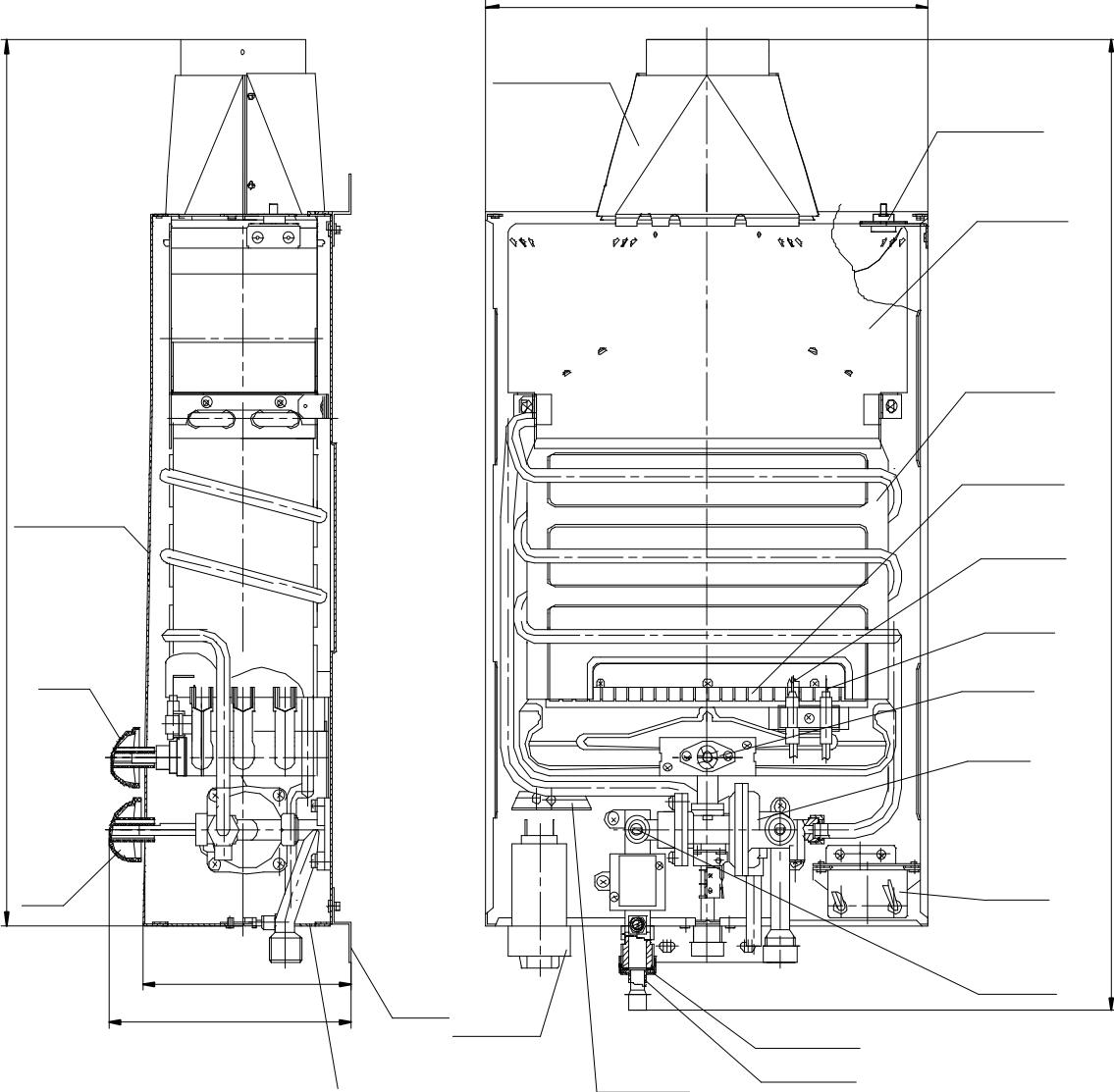
If an appliance is out of order or is not going to be used any more, it must be rendered useless by

eliminating those parts that could be a hazard source for children when they are playing, for example:

DESCRIPTION OF THE APPLIANCE

2.1 PERFORMANCE SPECIFICATION

Performance Sheet

Description	Gas Water Heater	Model	JSD12-D6N
<p data-bbox="193 436 616 470">Shape and Name of Components</p>  <p>The image contains two technical drawings of a gas water heater. The left drawing is a side view showing the vertical profile of the unit, including the burner assembly at the bottom, the water tank, and the venting system at the top. The right drawing is a front view showing the internal components, including the burner assembly, the water tank, and the venting system. Both drawings include dimension lines and leader lines pointing to various components.</p>			

Main technical data						
	Number of injectors	Gas Type	Injector Size (mm)	TPP (kPa)	Total NGC (MJ/h)	
	6	Propane LPG	0.60	2.75	30	
Power Voltage (V.dc)	3		Net weight – 5 kg			
Max. Water Pressure	0.75MPa					
Min. Water Pressure	0.025MPa					
Rated Hot Water Capacity	6 L/min per minute at 25° rise					
Features						
<p>This model has accidental flameout safety device, vent pipe anti-block, winter/summer shift.</p> <p>Must read the instruction manual before installing and using this appliance and operate it completely according to the instruction manual.</p>						
Warning:						
<ol style="list-style-type: none"> 1. Read the technical instructions before installing the appliance. 2. Read the user's instructions before lighting the appliance. 						

Gas type:

This appliance shall only be used with a refillable Propane LPG cylinder certified to AS2030.1 and certified LPG hose and regulator assembly. **WARNING**, it may be hazardous to attempt to fit other types of gas containers. Connect and change cylinders in a well-ventilated location, preferably outside away from people and any sources of ignition, such as naked flames, pilot flames, electric heaters/equipment.

2.2 INSTALLATION

2.2.1 USE OUTDOORS ONLY, not suitable for marine environment.

This appliance shall only be used in an above ground open air situation with natural ventilation, without stagnant areas, where gas leakage and products of combustion are rapidly dispersed by wind and natural convection. Refer to the following page for description and diagrammatical representation of outdoor areas.

2.2.2 CONNECTIONS (remove all transit material such as the plastic connection end caps)

1. Hot water outlet connects to the shower nozzle assembly (1/2" BSP).
2. Cold water inlet connects to the cold water supply (1/2" BSP).
3. Gas inlet connects to the supplied (3/8 SAE) hose and regulator assembly, Only use the hose assembly supplied with this appliance for connection to the cylinder – do not use adaptors and avoid twisting or kinking the flexible hose. Maximum gas hose assembly length is 1200mm.

2.2.3 GAS LEAK CHECK

Never use a match or flame for leak detection. Use soapy water or testing solution, brush the solution onto connection points and look closely for bubbles indicating escaping gas. If leaks are detected, shut off the main gas supply valve and securely retighten connections, then repeat the leak test.

If there is a leak on your appliance (smell of gas), immediately attempt to turn off the cylinder valve. Remove the appliance to a well-ventilated location away from any ignition source. Check for leaks using soapy water. Do not try to detect leaks using a flame.

To check if the gas cylinder is empty, disconnect the cylinder from the appliance and shake from side to side. If there is no sound or movement of liquid, the cylinder is empty.



Typical installation shown

The supplied 1.2 metre LPG hose and regulator assembly connects to a 9 kg LPG cylinder (maximum size). The water heater is then located 1.4 metres from ground level to the connection points as shown above. Water pump and fresh water tank are to be located in a convenient position as shown.

Tools Required: Shifting Spanners x 2

List of supplied parts: Gas Hose & Regulator x 1, Batteries D Cell x 2, **Inlet water pump**, Shower Hose and Shower Rose.

The pump, power supply (battery), gas regulator must be protected from water.

Water Pump Installation (pump and tank not supplied)

1. Place the required 12-volt sealed water pump close to the fresh **Cold** water tank (minimum 20 litre) and the water heater. Wire the pump according to the manufacturer's instructions and in regards to water protection.
2. Run a 3/8 inch or 1/2 inch pipe from the water heater WATER IN connection to the location of the pump.
3. Run a 3/8 inch or 1/2 inch pipe from the outlet of the fresh water tank to the location of the pump.
4. Inspect every joint and pipe run for leaks.

Please note: ~~it is Do not advised to~~ use a 240 volt pump or other electrical appliances where they could be affected by water from the unit.

2.2.4 OUTDOOR AREAS with rain protection

Any enclosure in which the appliance is used shall comply with one of the following:

D2. Within a partial enclosure that

includes an overhead cover and no more than two walls or **D3.** Within a partial enclosure that includes an overhead cover and more than two walls, the following shall apply: **D4/5** (i) At least 25% of the total wall area is completely open. (ii) 30% or more in total of the remaining wall side, back and front wall areas is open and unrestricted. (iii) In the case of balconies, 20% or more of the total wall area shall remain open and unrestricted.

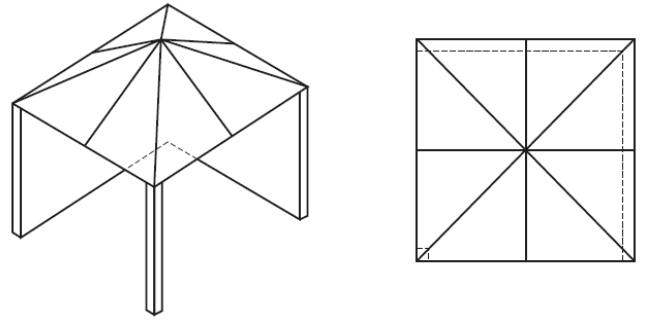


FIGURE D2 OUTDOOR AREA-EXAMPLE 2

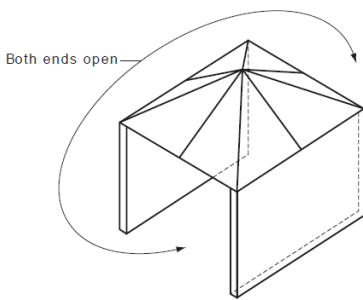


FIGURE D3 OUTDOOR AREA-EXAMPLE 3

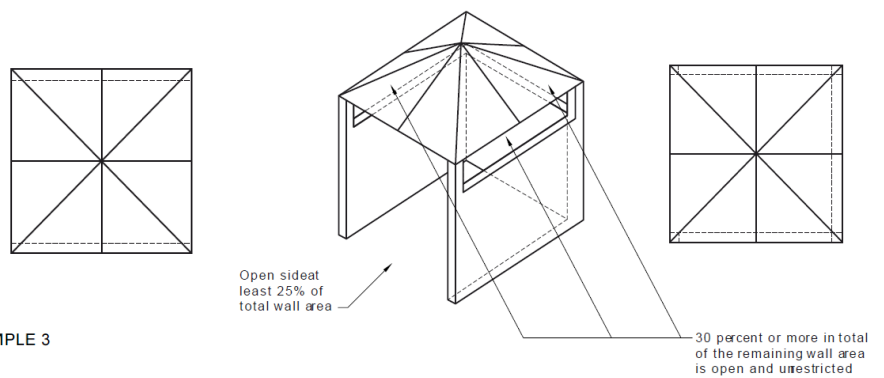


FIGURE D4 OUTDOOR AREA-EXAMPLE 4

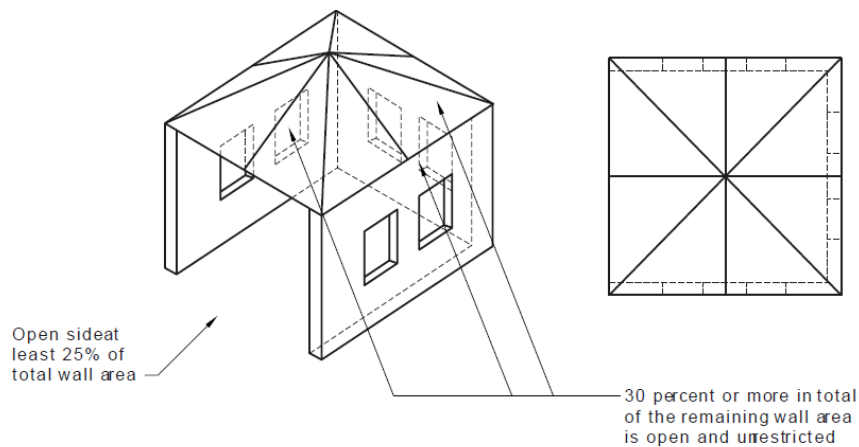


FIGURE D5 OUTDOOR AREA-EXAMPLE 5

2.2.5 INSTALLATION

The portable water heater must be mounted on a vertical surface, with the water and gas connections on the underside pointing downwards. The surface must be capable of supporting the weight of approximately 10 kg. This appliance is not certified for installation or connection to fixed piping systems, eg domestic, commercial, caravans, mobile homes.

Installation clearances from adjacent non-combustible surfaces is 1000mm (floor, walls & ceiling), do not obstruct combustion air openings. Do not to move the appliance during operation. Do no use this appliance if it has damaged or worn seals.

Information and guidance relating to the above matters may be obtained from AS1596 – Storage and Handling of LPG, AS2658-LP Gas Portable and Mobile Appliances and local water authority regulations.

2.3 DESCRIPTION OF CONTROL FUNCTION

Winter/summer knob: used to switch from winter mode to summer mode or in an anti-clockwise direction. If it is in the summer mode, the gas diffusing into the main burner will be cut off and the energy of combustion will decrease, in this way the gas will be saved in the summer.

Water knob: used to switch between maximum water flow and minimum water flow.

Gas knob: used to switch between maximum gas in amount and minimum gas in amount.

3. INSTRUCTIONS FOR THE USER: USE

3.1 OPERATION

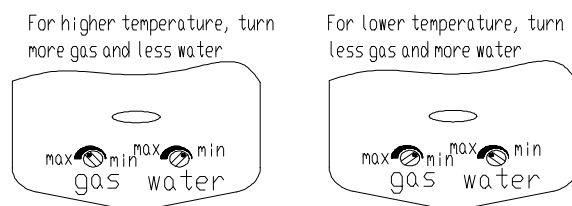
3.1.1 START UP

Presentation

- 1 put inside the battery box 2pcs of the 1# battery.
- 2 Open the valves of gas-in and water-in.
- 3 Inspect the gas source if there is leakage.
- 4 Inspect if there is any leakage on the hot water outlet and water inlet.
- 5 Turn on the hot water-out valve

3.1.2 IGNITION

When water pressure is above 0.05Mpa, the ignition is automatically executed when open the hot water valve. For the newly installed water heater, the gas pipe might be filled with air and cannot be ignited for the first time. Please repeat on & off to exhaust the air until water heater is finally ignited.



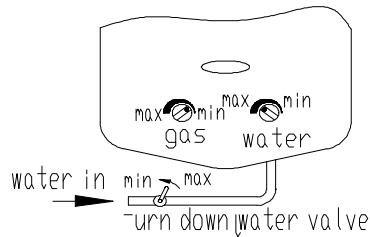
3.1.3 TEMPERATURE CONTROL

--To adjust the water and gas until it's comfortable.

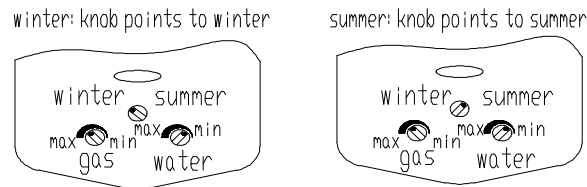
--When you use the water heater at first time, cold water should not be turned up too much, in order to avoid the less pressure by diffluence will affect water heater's normal running.

In some place, the water pressure may be too strong and thus water can not be heated. In this case, please turn down the water-in valve.

Check water temperature before washing.



Winter-summer model water heater: with the knob changing to winter or summer. (operation of temperature control like above.)



3.1.4 SHUT-OFF

1. To stop using the water heater, **turn the gas cylinder valve off, wait for the flame to go out, then turn the appliance control valves and water valve off.**
2. Please leave no water in the tank, when the temperature is below 0 or the appliance is out of use for a long time.

3.1.5 RESTART

1. If the water heater stopped during the using, first of all, close the hot water-out valve or water-in valve;
2. Open the closed hot water-out valve or water-in valve again;
3. Don't touch the water from the water heater after restart to avoid the scald.

3.2 NOTES ON SAFETY

3.2.1 No inflammable, explosive and corrosive substances could be placed around water heater, the minimum or appropriate distances between them is according to the store instruction accompanying the inflammable or explosive materials. The gas water heater can be regarded as a fire source.



3.2.2 Forbid any interference with a sealed component.

3.2.3 If the evacuation of the combustion products is disturbed, the flue pipe anti-blocking should interrupts the admission of gas to the burner. Please turn off the water inlet and ignition switch, then turn them on again. If there are repeated interruptions, please call specialist for help.

3.2.4 Avoid scald To resume using the water heater after a break, do not touch the hot water immediately. And during the use or just right after finish, except the knobs, do not touch the outer shell to avoid scald.

3.2.5 DO NOT USE WATER HEATER FOR OTHER PURPOSES EXCEPT FOR PRODUCING HOT WATER.

The water heater is used for intermittently producing hot water. It should not be used for supplying drinking water or drying clothes.

4. INSTRUCTIONS FOR THE USER: CLEANING, STORAGE AND MAINTENANCE

4.1 CLEANING

4.1.1 Get rid of accumulated dirt and dust on shell of water heater by cloth constantly. Do not use chemical or volatile scour that may change shell's color.

4.1.2 Clean accumulated dusts and carbon (if present) inside heat exchanger periodically to ensure the smooth passage of smoke.

NOTE: Removing vent-pipe, clean it and rid up heat exchanger with brush. During the course, do not drop dirt and dusts into fire hole of burner and parts of electric appliance and do not loosen or damage other parts as well. To re-fix the vent-pipe after cleaning, notice to keep tight sealing of joints.

4.2 STORAGE

The appliance can be stored indoors only after the gas and water hoses have been disconnected. Cylinders are to be stored outdoors in a well-ventilated area out of the reach of children.

4.3 MAINTENANCE

4.3.1 CHECK GAS LEAKAGE

Never use a match or flame for leak detection. Use soapy water or testing solution, brush the solution onto connection points and look closely for bubbles indicating escaping gas. If leaks are detected, shut off the main gas supply valve and securely retighten connections, then repeat the leak test.

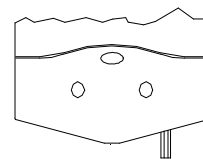


To avoid accidents, all fire sources and electric switches should be shut off.

Do not use the water heater during its MALFUNCTION, and do not disassemble it personally. When trouble occurs during use, please contact our Assistance Centre for advice. Water heater should be maintained by professionals regularly (2-3 years).

4.3.2 HOW TO TAKE AGAINST FROST

It is necessary to empty the water tank after using when air temperature is below 0 or disuse will last for a long time, the specific steps is following :



Water drainage valve

Loosen the screw in the water drainage valve, and then the water remaining in the water tank will flow out until the water tank is empty.

5. WHAT TO DO IF....

5.1 Some of the problems can be caused by simple maintenance operations or something that was forgotten and can easily be resolved without having to call for technical assistance.

If your appliance is not working efficiently:

- Make sure the gas cock is open
- Check that the knobs are set correctly for bathing and then repeat the operations given in the handbook
- **NOTE: WATER HEATER SHOULD NOT BE USED CONTINUOUSLY FOR A LONG TIME.**

5.2 Following phenomena are not real troubles, firstly you can handle these problem by yourself according to the following remarks, after that if the water heater still not work in a good condition, we advice you to call our specialist for help.

PROTECTIVE FUNCTION	REACTION	REMARKS
Water pressure too high	If water pressure is over 0.75Mpa, the water-out valve will release water and lower the pressure	Increase the valve pressure limit according to local water supply pressure
Water pressure too low	If water pressure is below 0.025Mpa, the water heater cannot be ignited	Use the water heater later when pressure becomes higher Water tank may be empty
Low battery	The power of battery will become less after use for some time, thus the water heater cannot be ignited.	Change battery