

DH-SD6C3432XB-HNR-AGQ-PV

4MP 32x Starlight IR WizSense Network PTZ Camera



Wiz Sense

- 1/2.8" 4Megapixel STARVIS™ CMOS
- 32x optical zoom
- Starlight technology
- Max. 25/30 fps@4M
- IR distance up to 150 m
- Auto-tracking
- Perimeter protection
- Face detection
- 4G
- Sound and light alarm
- Low power consumption

Launched by Dahua Technology, WizSense is a series of AI products and solutions that adopts independent AI chip and deep learning algorithm. It focuses on human and vehicle with high accuracy, enabling users to fast act on defined targets. Based on Dahua's advanced technologies, WizSense provides intelligent, simple and inclusive products and solutions.



System Overview

Designed with Starlight technology and 1/2.8" CMOS, the camera delivers high-quality monitoring images even in environments with low lighting, and provides back-end applications with round the clock, state-of-the-art data services. It supports a variety of AI functions for improved detection accuracy through its built-in neural network processor and is compatible with solar power supplies, meeting the heavy demands of long working hours.

The camera features behavior detection such as tripwire and intrusion, and multiple types of alarm linkage actions such as white light warning, audio playing and target tracking. To facilitate monitoring and analysis, it also features target filtering, face detection, and foreign object detection, and supports 4G network transmission and waking up from sleep mode.

Functions

Perimeter Protection

Automatically filters out false alarms caused by animals, rustling leaves, bright lights, etc. Enables system to act secondary recognition for the targets. Improves alarm accuracy.

Protection (-10% to +25%, 6 kV)

Designed with -10% to +25% input voltage tolerance, the camera is suitable for even the most unstable outdoor conditions. Its 6 kV lightning rating ensures protection against lightning for both the camera and its structure.

Siren and Light Active Deterrence

The camera supports the white light alarm and voice alarm when perimeter event occurs, to realize the deterrence and effective intervention. The camera is built in the alarm voice, and supports customized voice importing.

Smart H.265+ & Smart H.264+

With advanced scene-adaptive rate control algorithm, Dahua smart encoding technology realizes the higher encoding efficiency than H.265 and H.264, provides high-quality video, and reduces the cost of storage and transmission.

PFA Technology

PFA technology has introduced new methods of judgment that ensure the accuracy and predictability of the direction of subject distance adjustment. The result is a set of advanced focusing algorithms that ensure image clarity when zooming and that shorten focus time. This makes the camera highly advanced in its functions, substantially improving the quality of your experience.



ONLY THE BEST DEALS FOR SECURITY PRODUCTS

SECUREON.COM.AU

P 1300 888 767

Technical Specification

Camera

Image Sensor	1/2.8" CMOS
Pixel	4 MP
Max. Resolution	2560 (H) × 1440 (V)
ROM	4 GB
RAM	1 GB
Electronic Shutter Speed	1/1 s–1/30,000 s
Scanning System	Progressive
Min. Illumination	Color: 0.005 lux@F1.6 B/W: 0.0005 lux@F1.6 0 lux (IR light on)
Illumination Distance	150 m (492.13 ft) (IR) 50 m (164.04 ft) (white light)
Illuminator Number	4 (IR) 2 (white light)

Lens

Focal Length	4.8 mm–154 mm			
Max. Aperture	F1.6–F4.0			
Field of View	H: 55.8°–2.3°; V: 31.9°–1.3°; D: 63.7°–2.7°			
Optical Zoom	32×			
Focus Control	Auto; semi-auto; manual			
Close Focus Distance	0.1 m–1.5 m (0.33-4.92)			
Iris Control	Auto			
DORI Distance	Detect	Observe	Recognize	Identify
	3,080 m (10,104.99 ft)	1,216.6 m (3,991.47 ft)	616 m (2,021.00 ft)	308 m (1,010.50 ft)

PTZ

Pan/Tilt Range	Pan: 0° to 360° endless Tilt: –20° to +90°, auto flip 180°
Manual Control Speed	Pan: 0.1°/s–160°/s Tilt: 0.1°/s–120°/s
Preset Speed	Pan: 240°/s; Tilt: 150°/s
Preset	300
Tour	8 (up to 32 presets per tour)
Pattern	5
Scan	5
Power-off Memory	Yes
Idle Motion	Preset; Pattern; Tour; Scan

Smart Event

IVS	Tripwire; intrusion; crossing fence detection; loitering detection; abandoned/missing object; fast moving; parking detection; people gathering; linkage tracking
-----	--

Intelligence

Smart Capture	Support human, motor vehicle and non-motor vehicle image capture.
---------------	---

IVS (Perimeter Protection)	Tripwire and intrusion. Support alarm triggering by target types (human and vehicle). Support filtering false alarms caused by animals, rustling leaves, bright lights, etc.
Face Detection	Yes
SMD Plus	Yes
Auto Tracking	Yes

Active Deterrence

Light Warning	White light warning Flash duration: 5 s–30 s Flash frequency: High, medium, low
Sound Warning	Sound warning alarm: Customizable Volume: High, middle, low Alarm duration: 5 s–30 s

Video

Video Compression	Smart H.265+; H.265; Smart H.264+; H.264B; H.264M; H.264H; MJPEG (Sub Stream 1)
Streaming Capability	3 streams
Resolution	4M (2560 × 1440); 3M (2048 × 1536); 1080p (1920 × 1080); 1.3M (1280 × 960); 720p (1280 × 720); D1 (704 × 576); CIF (352 × 288)
Video Frame Rate	Main stream: 4M/3M/1080p/1.3M/720p (1–25/30 fps) Sub stream 1: D1/CIF (1–25/30 fps) Sub stream 2: 1080p/1.3M/720p (1–25/30 fps)
Bit Rate Control	CBR; VBR
Video Bit Rate	H.264: 2816 kbps–8192 kbps H.265: 1024 kbps–7936 kbps
Day/Night	Auto (ICR); Color; B/W
BLC	Yes
WDR	120 dB
HLC	Yes
White Balance	Auto; indoor; outdoor; tracking; manual; sodium lamp; natural light; street lamp
Gain Control	Auto; Manual
Noise Reduction	2D NR; 3D NR
Region of Interest (RoI)	Yes
Image Stabilization	EIS
Defog	Electronic defog
Digital Zoom	16×
Privacy Masking	Up to 24 areas can be set, with up to 8 areas in the same view
S/N Ratio	≥ 55 dB

Audio

Audio Compression	G.711a; G.711Mu; G.726; AAC; MPEG2-Layer2; G722.1; G729; G723
-------------------	---

Network

Network Port	RJ-45 (10/100 Base-T)
4G-Wireless Frequency Range	LTE-FDD: B1/3/5/7/8/20 LTE-TDD: Band 38/40 WCDMA: Band 1/5/8 GSM: 850/900/1800 MHz

Network Protocol	HTTP; HTTPS; TCP/IP; IPv4; RTSP; UDP; SMTP; NTP; DHCP; DNS; DDNS; IPv6; 802.1x; SSL; QoS; FTP; UPnP; ICMP; SNMP; SNMP v1/v2c/v3 (MIB-2); IGMP; ARP; RTCP; RTP; PPPoE; IP Filter; RTMP; Bonjour; TCP; SMB; NFS
Interoperability	ONVIF Profile S&G&T; CGI; Dahua SDK; SDK; API
User/Host	20 (total bandwidth: 64 M)
Storage	FTP; Micro SD card (256 GB); NAS
Management Software	Smart PSS; DSS; DMSS; Easy4ip; IVSS; ConfigTool; NVR; Smart Player; NetSDK
Mobile Client	iOS; Android; iPhone; iPad; Windows Phone

Certification

Certifications	CE: EN55032/EN55024/EN50130-4 FCC: Part15 subpartB, ANSI C63.4-2014
----------------	--

Port

RS-485	1 (baud rate: 1200 bps–9600 bps)
Audio Input	1 channel (LINE IN, bare wire)
Audio Output	1 channel (LINE OUT, bare wire; built-in speaker (mutually exclusive))
Alarm I/O	2/1
Audio I/O	1/1
Alarm Linkage	Capture; preset; tour; pattern; recording; triggering on-off value output; audio; sending email; waking up
Alarm Event	Motion/tampering detection; audio detection; network disconnection detection; IP conflict detection; memory card state detection; memory space detection; power exception detection

Power

Power Supply	12 VDC, 4 A (–10% to +25%)
Power Consumption	Sleep: ≤ 1 W Basic: 4.0 W (not pulling stream in 4G), 7.4 (pulling stream in 4G) Max.: 27 W (illuminator + heater + PTZ + speaker + pulling stream in 4G)

Environment

Operating Temperature	–40 °C to +70 °C (–40 °F to +158 °F)
Operating Humidity	≤ 95%
Protection	IP66; TVS 6000 V lightning proof; surge protection; voltage transient protection

Structure

Casing	ADC12
Product Dimensions	325.0 mm × Φ202.0 mm (12.80" × Φ7.95")
Net Weight	4.4 kg (9.70 lb)
Gross Weight	6.4 kg (14.11 lb)

Ordering Information

Type	Part Number	Description
4 MP PTZ Camera	DH-SD6C3432XB-HNR-AGQ-PV	4MP 32 Starlight IR WizSense Network PTZ Camera
	SD6C3432XB-HNR-AGQ-PV	4MP 32 Starlight IR WizSense Network PTZ Camera
Accessories	DC12V/4A	Power Adapter
	PFB305W	Wall Mount Bracket
	PFB300C	Ceiling Mount Bracket
	PFB301C	Ceiling Mount Bracket
	PFA150	Pole Mount Bracket
	PFA120	Wall Mount Bracket
	PFA151	Corner Mount Bracket
	PFA111	Mount Adapter
	PFB301S-E	Plane Mount Bracket
PFB303S	Parapet Mount Bracket	

Accessories

Included:



DC12V/4A Power Adapter



PFB305W Wall Mount Bracket

Optional:



PFB300C Ceiling Mount Bracket



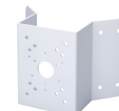
PFB301C Ceiling Mount Bracket



PFA150 Pole Mount Bracket



PFA120 Wall Mount Bracket



PFA151 Corner Mount Bracket



PFA111 Mount Adapter



ONLY THE BEST DEALS FOR SECURITY PRODUCTS

SECUREON.COM.AU

P 1300 888 767



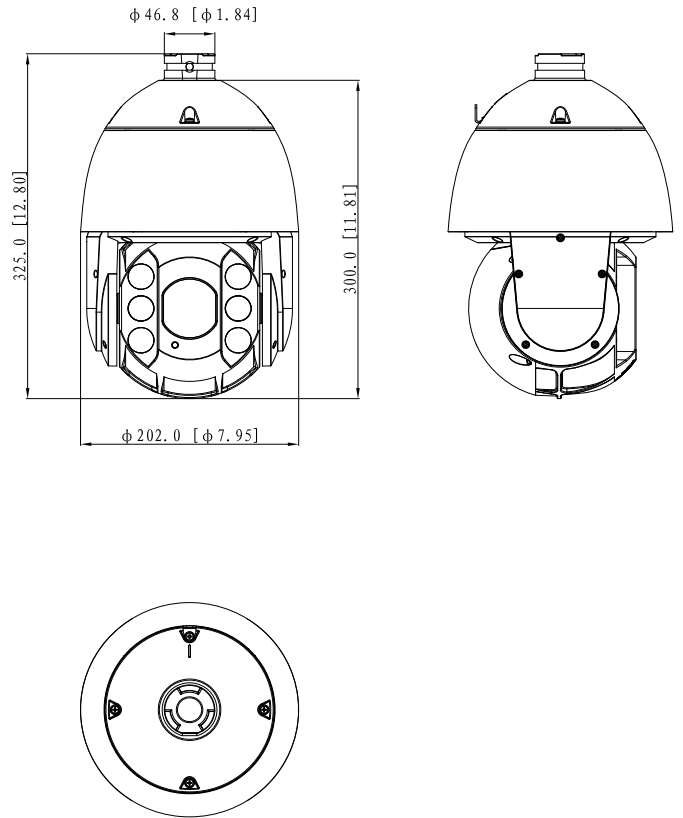
PFB301S-E
Plane Mount
Bracket



PFB303S
Parapet Mount
Bracket

<p>Wall Mount</p> <p>PFB305W</p>	<p>Ceiling Mount</p> <p>PFA111+PFB300C</p>	<p>Ceiling Mount</p> <p>PFA111+PFB301C</p>
<p>Pole Mount(Vertical)</p> <p>PFB305W+PFA150</p>	<p>Corner Mount</p> <p>PFB305W+PFA151</p>	<p>Pole Mount(Horizontal)</p> <p>PFA111+PFB300C+PFA150</p>
<p>Plane Mount</p> <p>PFB301S-E</p>	<p>Parapet Mount</p> <p>PFA111+PFB303S</p>	

Dimensions (mm[inch])



ONLY THE BEST DEALS FOR SECURITY PRODUCTS

SECUREON.COM.AU

P 1300 888 767