

## DS-PDP18-EG2 (PET) PIR Detector

DS-PDP18-EG2 (PET) series of passive infrared detectors are equipped with dual-element infrared sensor and 3D Fresnel lens technology. Its detection range can reach 18 meters. When moving objects are detected in the detection area, the detector will output the alarm signal that has been filtered by the circuit, analyzed and calculated by microprocessor algorithm. It is suitable for various indoor scenes.

### Available Model

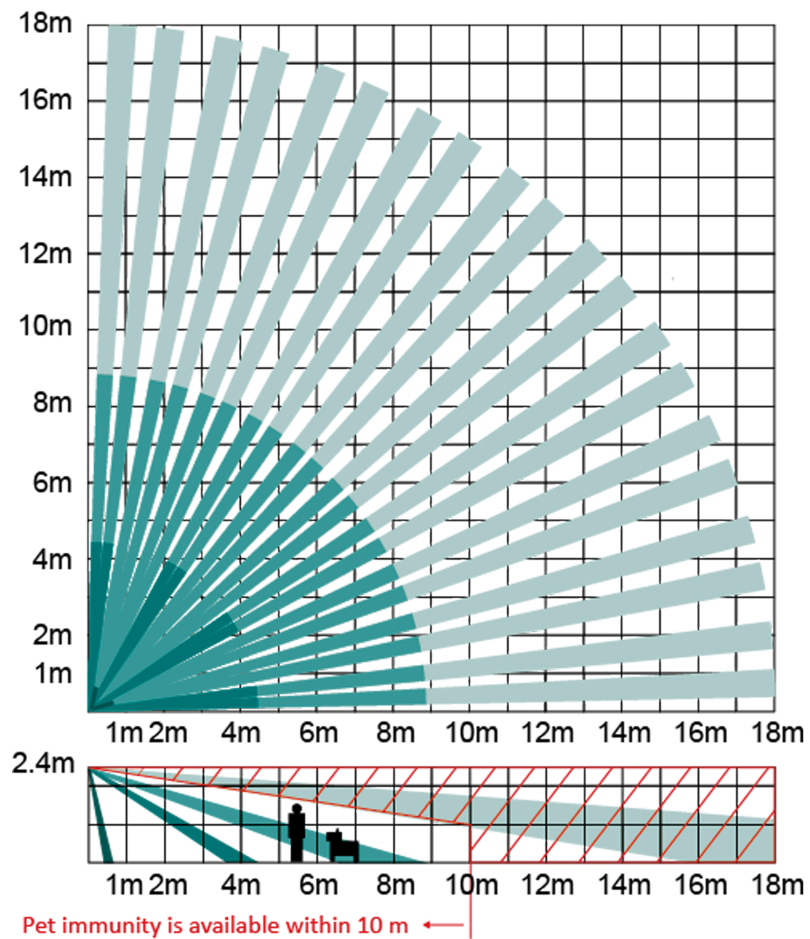
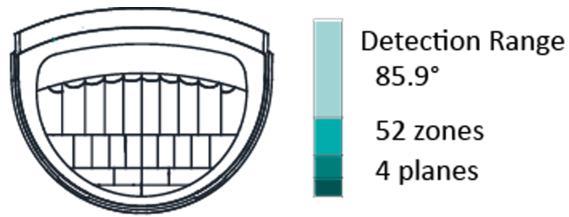
DS-PDP18-EG2 (PET)

### Key Features

- Optional/Automatic sensitivity
- Up to 18m detection range
- Digital temperature compensation
- 52 zones of 3D optics including creep-zone protection, full coverage without dead angle
- selectable EOL resistors for alarm and tamper-proof wiring
- Sealed optics preventing insect invasion interference
- Global certifications available (EN Grade2/CE/FCC/CB/IC/RCM/KC)
- 9 to 16 V wide voltage adaptation with polarity reverse connection protection
- Wall/Ceiling-mounting brackets available (sold separately)
- IFT technology prevents false alarms



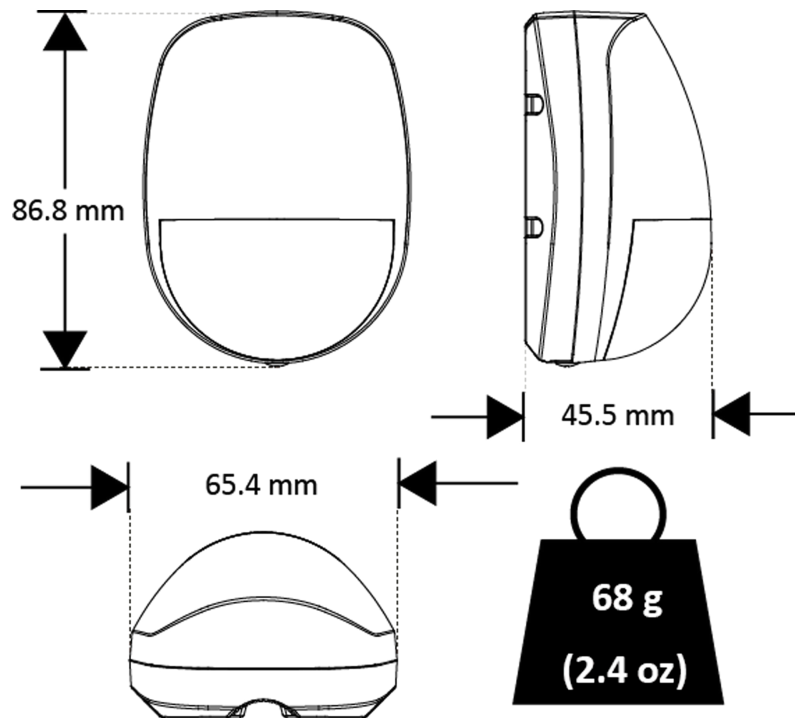
Lens Diagram



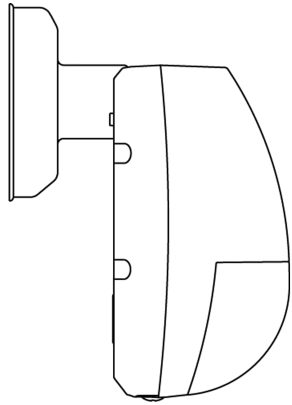
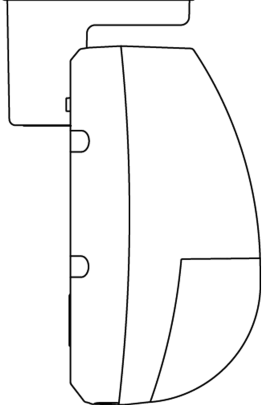
Note:

- To use the pet immunity function, please install a pet mask.
- PET immunity is available up to 10 m and at a height that is below the top plane of view.

**Installation**



**Dimension**

Mounting Type	Schematic Diagram	Mounting Type	Schematic Diagram
Wall Mounting		Ceiling Mounting	

## Specification

DS-PDP18-EG2 (PET)	
Detection range	18 m, 85.9°
Detection speed	0.3 to 2 m/s
Sensitivity	High, auto, and low
Auto sensitivity	Yes
Onboard EOL	Yes
Digital temperature compensation	Yes
Technology	Digital microprocessor based
SEC technology	Yes
Sealed optics	Yes
Creep zone protection	Yes
Direct light filter	6500 lux
Tamper protection	Front
LED indicator	Blue (alarm)
Pet immunity	10 kg (with optional pet mask)
Power supply	9 to 16 VDC (standard: 12 VDC)
Current consumption	11 mA quiescent; 8 mA alarm
Operating temperature	-10 °C to 55 °C (14 °F to 131 °F) -10 °C to 40 °C (14 °F to 104 °F) Certified
Storage temperature	-20 °C to 60 °C (-4 °F to 140 °F)
Operating humidity	10% to 90%
Installation height	1.8 m to 2.4 m
Dimension (H × W × D)	86.8 mm (3.42 ") × 65.4 mm (2.57 ") × 45.5 mm (1.79 ")
Weight	68 g (2.4 oz)
Bracket	Optional wall & ceiling accessory

**ONLY THE BEST DEALS FOR SECURITY PRODUCTS****SECUREON.COM.AU****P 1300 888 767**

Distributed by

**HIKVISION®****Headquarters**

No.555 Qianmo Road, Binjiang District,  
Hangzhou 310051, China  
T +86-571-8807-5998  
overseasbusiness@hikvision.com

**Hikvision USA**  
T +1-909-895-0400  
sales.usa@hikvision.com

**Hikvision Australia**  
T +61-2-8599-4233  
salesau@hikvision.com

**Hikvision India**  
T +91-22-28469900  
sales@pramahikvision.com

**Hikvision Canada**  
T +1-866-200-6690  
sales.canada@hikvision.com

**Hikvision Thailand**  
T +662-275-9949  
sales.thailand@hikvision.com

**Hikvision Europe**  
T +31-23-5542770  
sales.eu@hikvision.com

**Hikvision Italy**  
T +39-0438-6902  
info.it@hikvision.com

**Hikvision Brazil**  
T +55 11 3318-0050  
Latam.support@hikvision.com

**Hikvision Turkey**  
T +90 [216]521 7070- 7074  
sales.tr@hikvision.com

**Hikvision Malaysia**  
T +601-7652-2413  
sales.my@hikvision.com

**Hikvision UK & Ireland**  
T +01628-902140  
sales.uk@hikvision.com

**Hikvision South Africa**  
Tel: +27 (10) 0351172  
sale.africa@hikvision.com

**Hikvision France**  
T +33(0)1-85-330-450  
info.fr@hikvision.com

**Hikvision Kazakhstan**  
T +7-727-9730667  
nikia.panfilov@hikvision.ru

**Hikvision Vietnam**  
T +84-974270888  
sales.vt@hikvision.com

**Hikvision UAE**  
T +971-4-4432090  
salesme@hikvision.com

**Hikvision Singapore**  
T +65-6684-4718  
sg@hikvision.com

**Hikvision Spain**  
T +34-91-737-16-55  
info.es@hikvision.com

**Hikvision Tashkent**  
T +99-87-1238-9438  
uzb@hikvision.ru

**Hikvision Hong Kong**  
T +852-2151-1761  
info.hk@hikvision.com

**Hikvision Russia**  
T +7-495-669-67-99  
saleru@hikvision.com

**Hikvision Korea**  
T +82-(0)31-731-8817  
sales.korea@hikvision.com

**Hikvision Poland**  
T +48-22-460-01-50  
info.pl@hikvision.com

**Hikvision Indonesia**  
T +62-21-2933759  
Sales.Indonesia@hikvision.com

**Hikvision Colombia**  
sales.colombia@hikvision.com