

DH-SD5A432XB-HNR

4MP 32x Starlight IR WizSense Network PTZ Camera



Wiz Sense

Launched by Dahua Technology, WizSense is a series of AI products and solutions that adopt independent AI chip and deep learning algorithm. It focuses on human and vehicle with high accuracy, enabling users to fast act on defined targets. Based on Dahua's advanced technologies, WizSense provides intelligent, simple and inclusive products and solutions.

System Overview

Featuring powerful optical zoom and accurate pan/tilt/zoom performance, this camera provides an all-in-one solution for capturing long distance video surveillance for outdoor applications. Together with infrared illumination and Starlight Technology, the camera is the perfect solution for dark, lowlight applications. The series combines a day/night mechanical IR cut filter for the highest image quality in variable lighting conditions during the day, and True WDR for applications with direct sunlight or glare.

Functions

Perimeter Protection

Automatically filters out false alarms caused by animals, rustling leaves, bright lights, etc. Enables system to act secondary recognition for the targets to improve alarm accuracy.

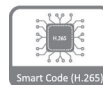
Starlight+ Technology

For challenging low-light applications, Dahua's Starlight Ultra-low Light Technology offers best-in-class light sensitivity, capturing color details in low light down to 0.005 lux. The camera uses a set of optical features to balance light throughout the scene, resulting in clear images in dark environments.

PFA Technology

PFA technology has innovatively introduced new methods of judgment to ensure the accuracy and predictability of the direction of subject distance adjustment. The result is a set of advanced focusing algorithms. PFA ensures clarity of the image throughout the process of zooming and shortens focus time. The realization of PFA technology substantially improves user experience and increases product value.

- 1/2.8" 4Megapixel STARVIS™ CMOS
- Powerful 32x optical zoom
- Max. 25/30 fps@4M
- IR distance up to 150 m
- Deep-learning-based auto tracking and perimeter protection
- SMD PLUS
- PoE+
- IP67, IK10
- Face Detection



SMD PLUS

With Deep-Learning Algorithm, Dahua SMD PLUS filters the motion detection alarm triggered by non-concerned target and recognizes human and vehicle effectively, sending alarms when human and vehicles intrude.

Wide Dynamic Range

The camera achieves vivid images, even in the most intense contrast lighting conditions, using industry-leading wide dynamic range (WDR) technology. For applications with both bright and low lighting conditions that change quickly, True WDR (120 dB) optimizes both the bright and dark areas of a scene at the same time to provide usable video.

Auto-tracking

This feature controls the pan/tilt/zoom actions of the camera to automatically track an object in motion and to keep it in the scene. The tracking action can be triggered manually or automatically by defined rules. Once a rule is triggered, the camera can zoom in and track the defined target automatically.

Smart H.265+

Smart H.265+ is the optimized implementation of the H.265 codec that uses a scene-adaptive encoding strategy, dynamic GOP, dynamic ROI, flexible multi-frame reference structure and intelligent noise reduction to deliver high-quality video without straining the network. Smart H.265+ technology reduces bit rate and storage requirements by up to 70% when compared to standard H.265 video compression.



ONLY THE BEST DEALS FOR SECURITY PRODUCTS

SECUREON.COM.AU

P 1300 888 767

Technical Specification
Camera

Image Sensor	1/2.8" CMOS
Pixel	4 MP
Max. Resolution	2560 (H) × 1440 (V)
ROM	4 GB
RAM	1 GB
Electronic Shutter Speed	1/1 s–1/30,000 s
Scanning System	Progressive
Min. Illumination	Color: 0.005 lux@F1.6 B/W: 0.0005 lux@F1.6 0 lux (IR light on)
Illumination Distance	150 m (492.13 ft) (IR)
Illuminator On/Off Control	Zoom Prio; Manual; SmartIR
Illuminator Number	4 (IR)

Lens

Focal Length	4.8 mm–154 mm			
Max. Aperture	F1.6–F4.0			
Field of View	H: 55.81°–2.37°; V: 31.92°–1.34°; D: 63.71°–2.71°			
Optical Zoom	32×			
Focus Control	Auto; Semi-auto; Manual			
Close Focus Distance	0.8 m–5.0 m (2.62 ft–16.40 ft)			
Iris Control	Auto; Manual			
DORI Distance	Detect	Observe	Recognize	Identify
	2,124 m (6,968.50 ft)	839 m (2,752.62 ft)	425 m (1,394.36 ft)	212 m (695.54 ft)

PTZ

Pan/Tilt Range	Pan: 0° to 360° endless Tilt: –15° to +90°, auto flip 180°
Manual Control Speed	Pan: 0.1°–300°/s Tilt: 0.1°–200°/s
Preset Speed	Pan: 400°/s; Tilt: 300°/s
Preset	300
Tour	8 (up to 32 presets per tour)
Pattern	5
Scan	5
Power-off Memory	Yes
Idle Motion	Preset; Pattern; Tour; Scan
PTZ Protocol	DH-SD Pelco-P/D (Auto recognition)

Intelligence

Smart Capture	Support human, motor vehicle and non-motor vehicle image capture.
---------------	---

IVS (Perimeter Protection)	Tripwire and intrusion. Support alarm triggering by target types (human and vehicle). Support filtering false alarms caused by animals, rustling leaves, bright lights, etc.
Face Detection	Yes
Auto Tracking	Yes
SMD PLUS	Yes

Video

Video Compression	Smart H.265+; H.265; Smart H.264+; H.264B; H.264M; H.264H; MJPEG (Sub Stream)
Streaming Capability	3 streams
Resolution	4M (2560 × 1440); 3M (2048 × 1536); 1080p (1920 × 1080); 720p (1280 × 720); D1 (704 × 576/704 × 480); CIF (352 × 288/352 × 240)
Video Frame Rate	Main stream: 4M/3M/2M/1.3M/720p (1–25/30 fps) Sub stream 1: D1/CIF (1–25/30 fps) Sub stream 2: 2M/1.3M/720p (1–25/30 fps)
Bit Rate Control	CBR; VBR
Video Bit Rate	H.264: 3 kbps–20480 kbps H.265: 3 kbps–20480 kbps
Day/Night	Auto (ICR); Color; B/W
BLC	Yes
WDR	120 dB
HLC	Yes
White Balance	Auto; indoor; outdoor; tracking; manual; sodium lamp; natural light; street lamp
Gain Control	Auto; Manual
Noise Reduction	2D NR; 3D NR
Motion Detection	Yes
Region of Interest (RoI)	Yes
Image Stabilization	EIS
Defog	Electronic
Digital Zoom	16×
Image Rotation	180°
Privacy Masking	Up to 24 areas can be set, with up to 8 areas in the same view
S/N Ratio	≥ 55 dB

Audio

Audio Compression	G.711a; G.711Mu; G.726; MPEG2-Layer2; G722.1; G729; G723
-------------------	--

Network

Network Port	RJ-45 (10/100 Base-T)
Network Protocol	HTTP; HTTPS; IPv4; RTSP; UDP; SMTP; NTP; DHCP; DNS; DDNS; IPv6; 802.1x; QoS; FTP; UPnP; ICMP; SNMP; SNMP v1/v2c/v3 (MIB-2); IGMP; ARP; RTCP; RTP; PPPoE; RTMP; TCP
Interoperability	ONVIF Profile S&G&T; CGI
Streaming Method	Unicast; Multicast

User/Host	20 (total bandwidth: 64 M)
Storage	FTP; Micro SD card (512 GB); NAS
Browser	IE: IE7 and later Chrome: 42 and earlier Firefox: 52 and earlier Safari
Management Software	Smart PSS; DSS; DMSS; Easy4ip; IVSS
Mobile Client	iOS; Android

Certification

Certifications	CE-LVD: EN 62368-1 CE-EMC: EN55032:2015/EN61000-3-2; 2019/EN61000-3-3; 2013+A1: 2019 /EN50130-4: 2011/A1: 2014/EN55024: 2010/A1: 2015/EN55035: 2017 FCC: CFR 47 FCC Part15, Subpart B UL: UL60950-1+CAN/CSA C22.2, No.60950-1
----------------	---

Port

Two-way Audio	Yes
Alarm Linkage	Capture; preset; tour; pattern; recording; triggering on-off value output; audio; sending email
Alarm Event	Motion/tampering detection; audio detection; network disconnection detection; IP conflict detection; memory card state detection; memory space detection; power exception detection
Alarm I/O	2/1
Audio I/O	1/1

Power

Power Supply	24 VDC, 2.5 A (± 25%) PoE+ (802.3at)
Power Consumption	Basic: 13 W Max.: 22 W (illuminator + PTZ working)

Environment

Operating Temperature	-40 °C to +70 °C (-40 °F to +158 °F)
Operating Humidity	≤ 95%
Protection	IP67; IK10; TVS 6000 V lightning proof; surge protection; voltage transient protection

Structure

Product Dimensions	331.9 mm × Φ190.4 mm (13.07" × Φ7.50")
Net Weight	4.7 kg (10.36 lb)
Gross Weight	8 kg (17.64 lb)

Ordering Information

Type	Model	Description
4M WizSense Network PTZ Camera	DH-SD5A432XB-HNR	4MP 32x Starlight IR WizSense Network PTZ Camera
	SD5A432XB-HNR	4MP 32x Starlight IR WizSense Network PTZ Camera
Accessories	PFB305W	Wall Mount Bracket
	DC24V/2.5A	Power Adapter
	PFA111	Mount Adapter
	PFA140	Power Box
	PFB300C	Ceiling Mount Bracket
	PFA120	Junction Box
	PFA150	Pole Mount Bracket
	PFA151	Corner Mount Bracket
PFB303S	Parapet Mount Bracket	

Accessories

Included:



PFB305W
Wall Mount Bracket



DC24V/2.5A
Power Adapter

Optional:



PFA111
Mount Adapter



PFA140
Power Box



PFB300C
Ceiling Mount Bracket



PFA120
Junction Box



PFA150
Pole Mount Bracket



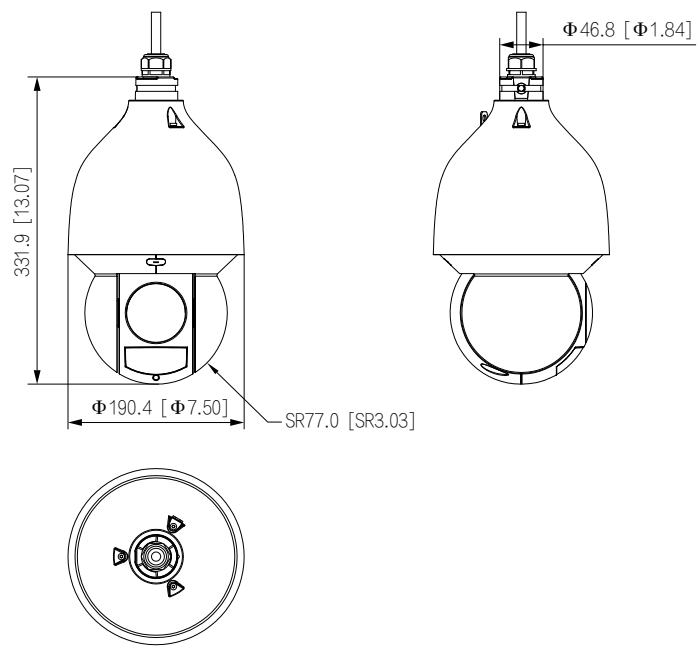
PFA151
Corner Mount Bracket



PFB303S
Parapet Mount Bracket

Wall Mount PFB305W+PFA120	Ceiling Mount PFA111+PFB300C	Ceiling Mount PFA111+PFB301C
Pole Mount(Vertical) PFB305W+PFA150	Corner Mount PFB305W+PFA151	Pole Mount(Horizontal) PFA111+PFB300C+PFA150

Dimensions (mm[inch])



ONLY THE BEST DEALS FOR SECURITY PRODUCTS

SECUREON.COM.AU

P 1300 888 767