

# DH-PFB121W

Wall Mount Bracket



## Features

- Aesthetic design
- Wall mount bracket
- Material: aluminum



ONLY THE BEST DEALS FOR SECURITY PRODUCTS

**SECUREON.COM.AU**

**P** 1300 888 767

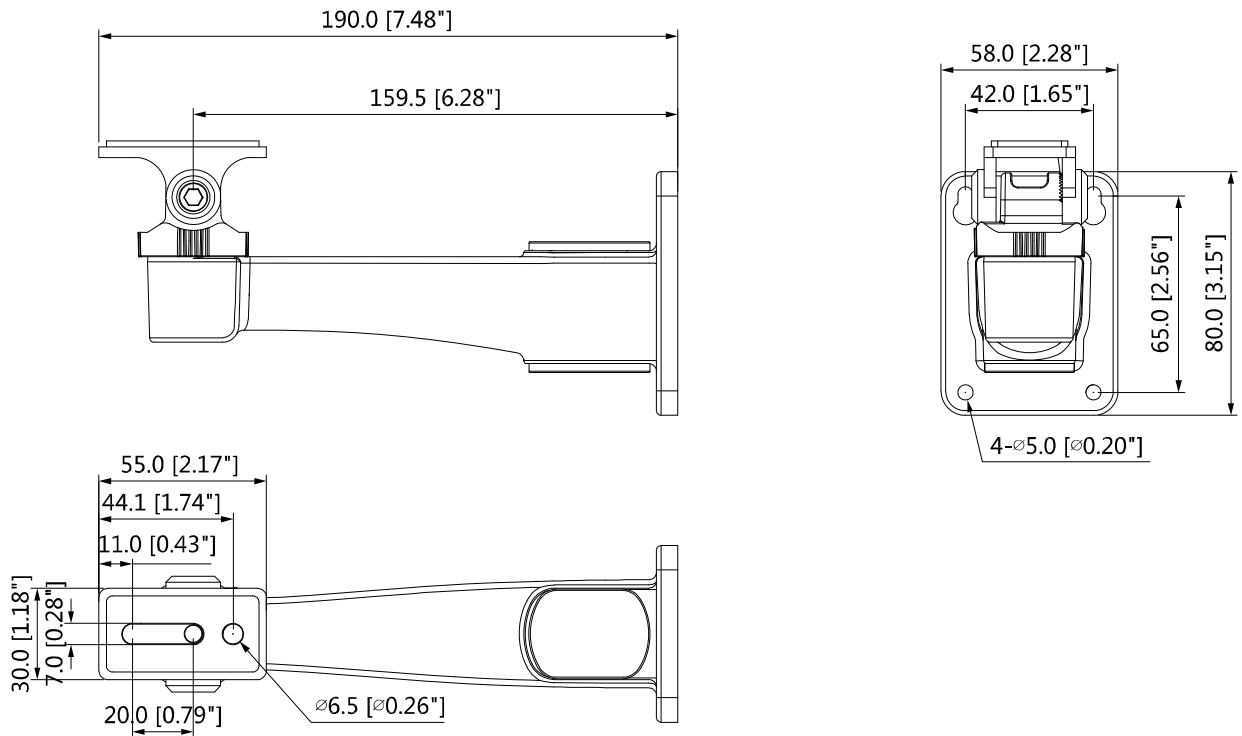
### Technical Specifications

|                       |                                       |
|-----------------------|---------------------------------------|
| <b>Model</b>          | <b>DH-PFB121W</b>                     |
| <b>General</b>        |                                       |
| Material              | Aluminum                              |
| Dimension(WxHxD)      | 58mmx88mmx190.5mm (2.28"x3.46"x7.50") |
| Weight                | 0.24kg(0.53lb)                        |
| Load Bearing          | 1kg(2.2lb)                            |
| Color                 | White                                 |
| Operating Temperature | -40°C ~ +60°C (-40°F ~ +140°F)        |
| Humidity              | <90% RH                               |
| Applicable Model      | Please see "Accessory Selection"      |

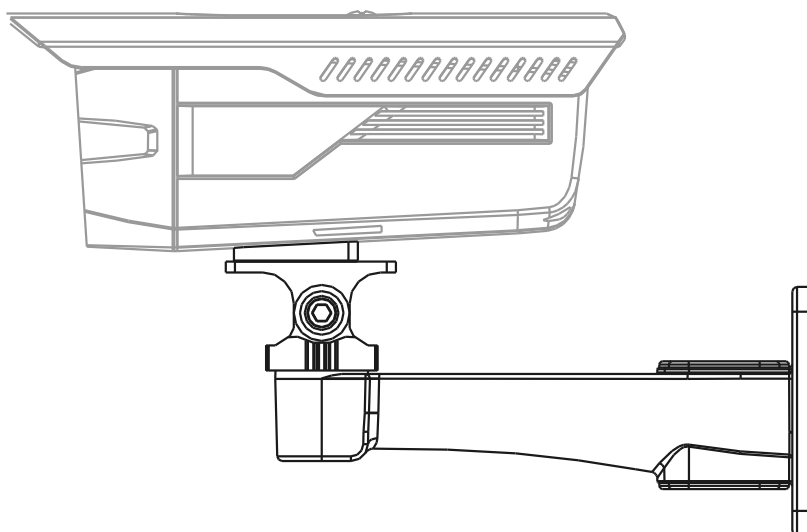
### Order Information

| Type         | Part Number | Description        |
|--------------|-------------|--------------------|
| Camera Mount | DH-PFB121W  | Wall mount bracket |
|              | PFB121W     | Wall mount bracket |

### Dimensions (mm/inch)



## Application



## Package Information

- Wall mount bracket \*1
- 1/4-20-10UNC \*1
- ST4 screw \*3
- Plastic anchor \*4
- Wrench \*1