

# VTO3211D-P/P2/P4

IP 1/2/4-button Villa Outdoor Station



## Features

- 2MP HD CMOS camera
- Aluminum panel, IP65, IK08
- ICR Night vision & Voice indication
- Video & Audio messaging
- Remote intercom with mobile APP
- Surface mounted



## Technical Specification

Model	VTO3211D-P/P2/P4
-------	------------------

### System

Main Processor	Embedded Micro Processor
----------------	--------------------------

Operation System	Embedded LINUX OS
------------------	-------------------

### Video

Video Compression	H.264
-------------------	-------

Image Sensor	1/2.8" 2MP CMOS
--------------	-----------------

Focal Length	1.9mm
--------------	-------

Angle of View	H:140°
---------------	--------

Day/Night	ICR
-----------	-----

### Audio

Audio Compression	G.711
-------------------	-------

Audio Input	Omnidirectional Mic
-------------	---------------------

Audio Output	Built-in Speaker
--------------	------------------

Bidirectional Talk	Support Dual-way Bidirectional talk
--------------------	-------------------------------------

### Operation Mode

Keypad	1/2/4 Mechanical Buttons
--------	--------------------------

Reader	Mifare Card
--------	-------------

### Interface

Door Control	1
--------------	---

Alarm In	2(1ch unlock button, 1ch feedback)
----------	------------------------------------

RS485	1
-------	---

### Network

Ethernet	10M/100Mbps Self-adaptive
----------	---------------------------

Network Protocol	TCP/IP
------------------	--------

Ethernet	10M/100Mbps Self-adaptive
----------	---------------------------

Network Protocol	TCP/IP
------------------	--------

### General

Ingress Protection	IP65, IK08
--------------------	------------

Tamper Switch	1
---------------	---

Installation	Surface
--------------	---------

Material	Aluminum
----------	----------

Power	DC 12V, PoE(802.3af)
-------	----------------------

Power Consumption	Standby ≤1W, Work ≤7W
-------------------	-----------------------

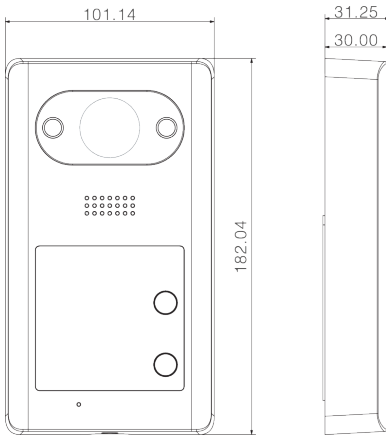
Working Temperature	-40°C~+60°C
---------------------	-------------

Relative Humidity	10%~90%RH
-------------------	-----------

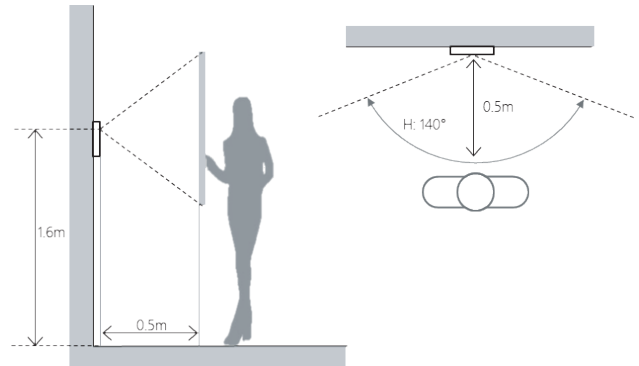
Dimensions	182.0mm×30.0mm×101.0mm
------------	------------------------

Weight	0.8Kg
--------	-------

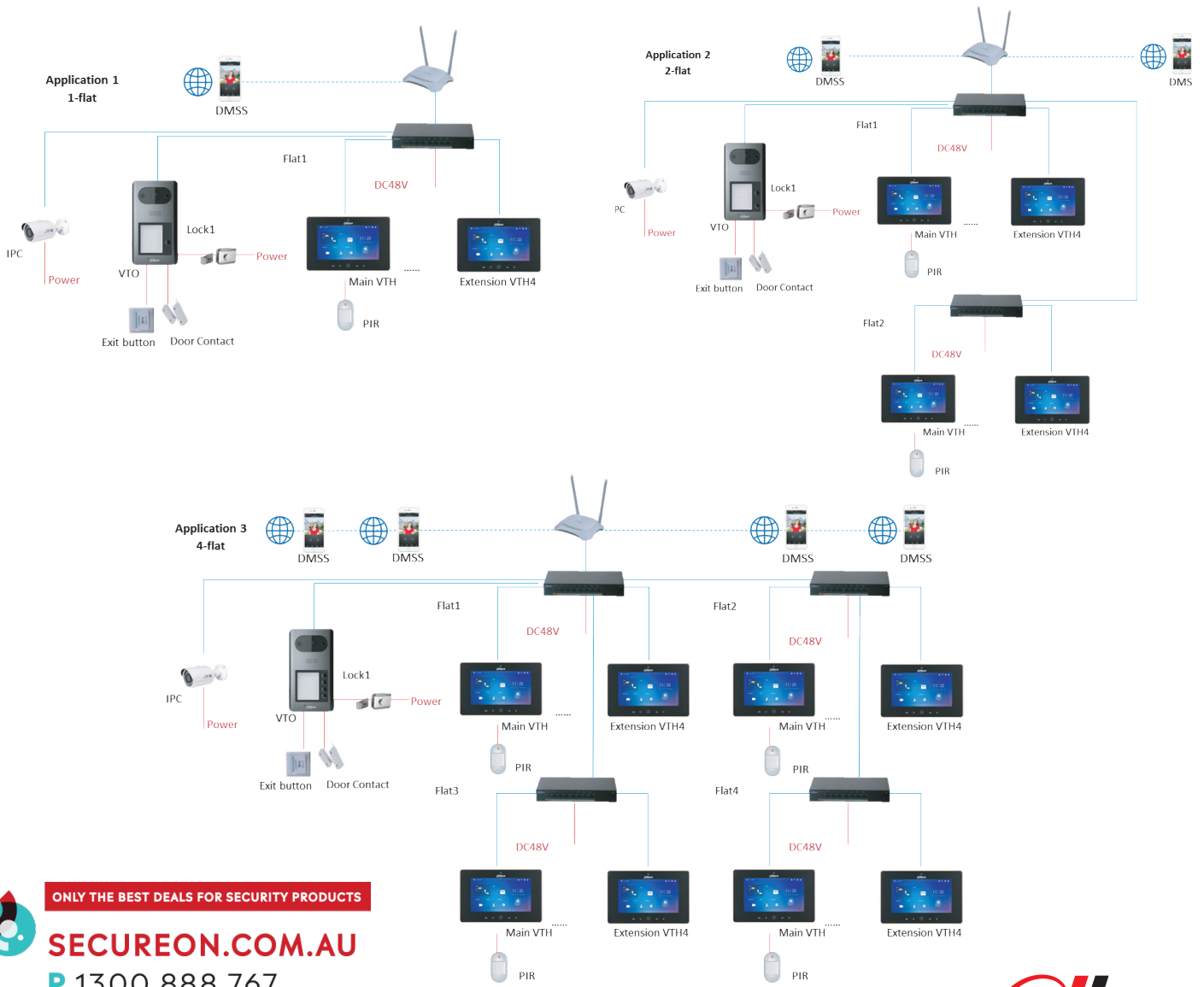
Dimensions



View Area



Application



ONLY THE BEST DEALS FOR SECURITY PRODUCTS

**SECUREON.COM.AU**

**P 1300 888 767**