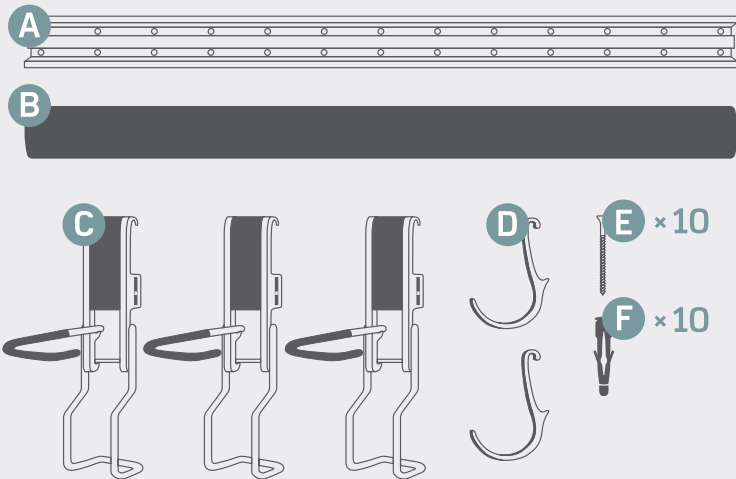




MANUAL

3 BIKE WALL RACK

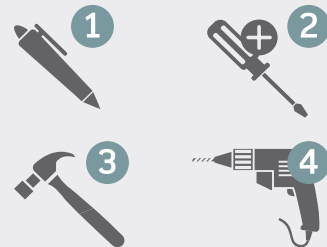
Parts list



A: Steel track base
B: Plastic track cover
C: Bike hook

D: Hook for accessories
E: Screws
F: Dowels

Tools



1: Pen
2: Screwdriver
3: Hammer
4: Drilling machine

Important: Installation

Please adhere to the below instructions to ensure warranty is not void. Use correct screws, dowels, electric tools and drill tool bits for installation.

NOTICE

DO NOT install the bike wall mount on unsupported wall surfaces e.g. plasterboard walls unless there is a strong wooden stud behind it.

NOTICE

ONLY use correct wall fixings and anchors appropriate for the type of wall.

Be careful to avoid any electrical, plumbing or water fittings within or behind the wall.

Sufficient expertise is required for the correct and safe installation of the bike wall hanger. Please seek professional help if required.

WARNING

ONLY install the bike wall mount on a solid stud, beam, masonry or concrete wall. The bike wall hanger is designed for use on a wall structure in good condition which is suitably robust to carry the weight of the bike to be hung from it. It is your responsibility to ensure that the hanger is installed on a suitable surface.



In case of any questions please contact us: support@salelab.de / telephone: +49 (0) 75195877024

Step 1: Mounting the Steel track base (A)

WARNING

Mount steel track base on a solid stud, beam masonry or concrete wall with correct fixings and anchors.

Mount in an appropriate place where it is unlikely to cause obstruction.

Determine correct height for hanger. Bike tires should be at least 4 inches (10 cm) from the ground.

WARNING

Steel track base must be mounted horizontal, mark drill holes and use spirit or laser level to ensure vertical correctness.

For mounting on masonry or concrete wall:

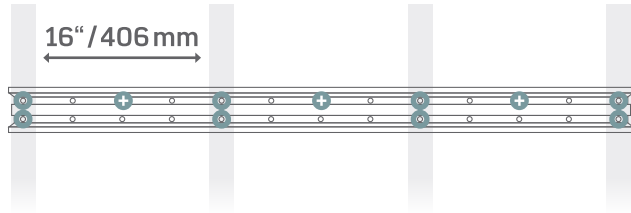
14" to 18" (356 mm to 457 mm) between each set of marked holes:



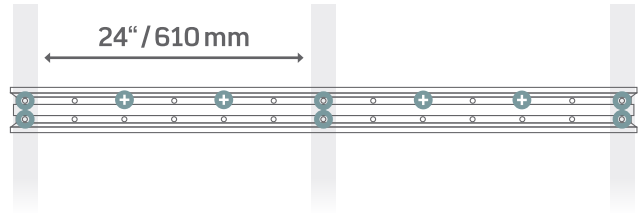
1. Drill holes into the wall using a 5/16" (7.9mm) tool bit.
2. Use dowels (F) and screw in the screws (E) fully and securely.

For mounting on drywall:

A: Mounting on 16" (406 mm) stud spacing



B: Mounting on 24" (610 mm) stud spacing



- ⊕ Drill 5/16" (7.9 mm) holes every 5" (120 mm) for additional support and insert Dowels (F) into the holes.

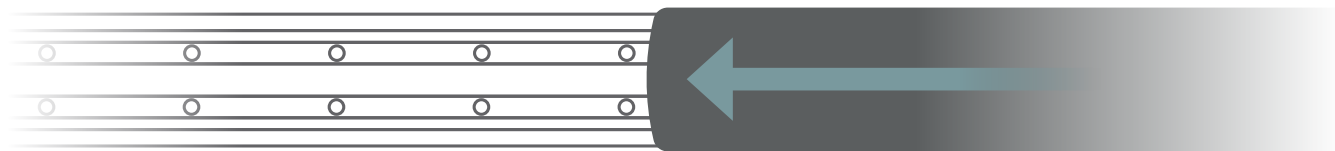
1. Locate and mark studs where you want to install the track.
2. Pilot holes into the the center of the stud using a 1/8" (3.2 mm) tool bit.
3. Screw in the screws (E) fully and securely.

- i** **Maximum track weight capacity** can be achieved if **4 studs** across 48" (1220 mm) span can be located.

Step 2: Installing the plastic track cover (B)

Sliding the cover from the side

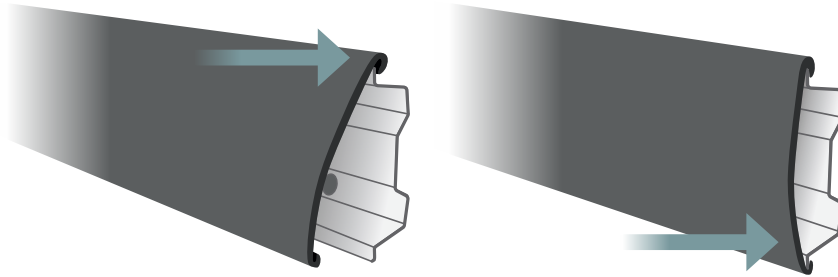
Install the cover by sliding it onto the steel track base:



If there is not enough room for sliding from the side:

Install the cover by snapping it onto the steel track base as shown on the next page.

Snapping the cover onto the steel track base



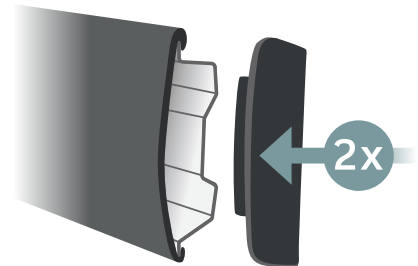
1. Line the slot at the top of track cover with the upper edge of the track.
2. Push the lower edge of track cover to engage the slot at the bottom of the track cover with the lower edge of the track.

3. Start from one side and work your way to the other side until the entire length of the cover is fully engaged with the track.

CAUTION

Crush hazard. Keep hands clear of moving parts.

Install the endcaps

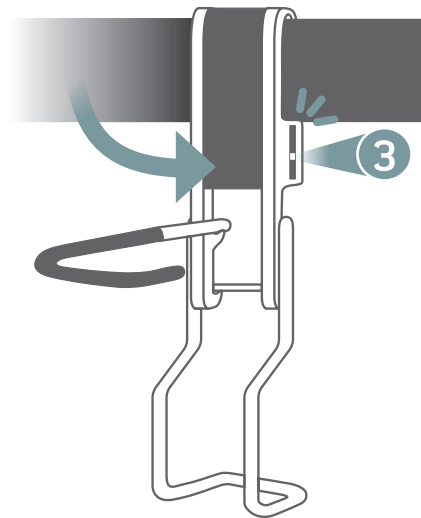


Step 3: Installing the bike and accessory hooks (C/D)

CAUTION

Crush hazard. Keep hands clear of moving parts.

1. Determine desired location for the bike (C) and accessory hooks (D).
2. Hook the hooks into the rail with the upper part first. Then press the lower part onto the rail until you hear a clicking noise.
3. To remove the bike hook gently press the release clip on the right side of the bike hook and pull gently.



WARNING



Maximum weight capacity of the rail: 198 lbs (90 kg)



Maximum weight capacity per bike hook: 66 lbs (30 kg)

WARNING

The maximum weight that can be carried by the bike wall mount is specified in this instruction manual and depends on the mounted surface.

DO NOT EXCEED the maximum allowable weight to be carried by the bicycle wall mount.

Ensure the bike is mounted on a horizontal level and that the weight is evenly and proportionally distributed between the points of contact when using the bike wall hanger.

Be careful when walking around or under the bike wall hanger when it is loaded to prevent bodily injury.

WARNING

It is important that the bike wall mount and its accessories are properly and securely attached to the wall according to the instructions and only used for its predetermined purpose. Inspect the bike hanger is installed correctly before hanging a bike. Failure to check that the hanger has been installed correctly can result in possible bodily harm or bicycle damage.

Monthly inspections for wear and tear of the bicycle wall mount and accessories are required.

If any of the above requirements are not complied with when installing the wall hanger, SaleLab GmbH shall not be liable or otherwise responsible for any damage to goods or injuries sustained because of incorrect or inappropriate installation of the bicycle wall mount.

In case of any questions please contact us:

 support@salelab.de

 +49(0) 751 95877024

 www.forriders.de

 [borgen.for.riders](https://www.instagram.com/borgen.for.riders)

