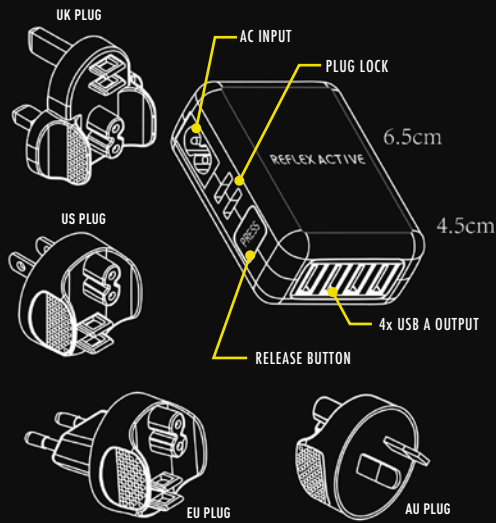


# REFLEX ACTIVE

## Travel Plug - getting started



We know you want to get straight to the power, but please take a minute to read through these instructions, they will help ensure you get the best from your Reflex Active product.

You can also visit our website for lots of helpful information and video guides. And of course, if you have any questions, please get in touch, we're here to help!

### PRODUCT INSTRUCTIONS

1. Push required plug adapter into the charger hub.
2. Connect to mains wall plug.
3. Use USB points for compatible cables to charge devices.
4. When finished, remove from wall plug and press release button to disconnect and change plug.

### SPECIFICATIONS

<b>Input Connector</b>	UK / US / EU / AU Plugs	<b>Load Regulations</b>	-0.5% (MAX)	<b>Output Plug</b>	USB Type A x4
<b>Input Voltage</b>	AC 100-220V 50/60Hz	<b>Output Current</b>	4A (MAX)	<b>Over Power Protection</b>	22.50W
<b>Input Current</b>	<0.6A @ 100-220V AC with full load	<b>Output Ripple</b>	<600mV p-p	<b>Short Protection / Auto Recovery</b>	
<b>Output Voltage</b>	5.0V $\pm$ 0.25V	<b>Efficiency</b>	>70% @ 220V AC	<b>Dimensions</b>	76.5 x 55.1 x 29.4 mm

### CARING FOR YOUR PRODUCT

Please follow these simple instructions to keep your adapter looking great!

- Not designed to be submerged in water, should this occur product will malfunction.
- Keep away from steam & dust as these may affect quality of performance.
- Avoid excessive twisting / turning of charging cables as this can cause malfunction.
- Contains no serviceable components. Do not attempt to open the product casing as this may cause harm.
- Do not leave in direct sunlight.
- Not to be used by children.

### IMPORTANT SAFETY INFORMATION

Made in China by Peers Hardy UK Ltd. Precision House, Starley Way, Birmingham International Business Park, B37 7GN. EU Address, Peers Hardy UK LTD, C/O Global E-commerce Experts, Rijnlanderweg 766, Unit H, 2132 NN, Hoofddorp, Netherlands.

### DISPOSAL OF GOODS

The crossed out wheelee bin symbol is to remind you that waste electrical products, batteries & accumulators should not be disposed of in household waste. If you are unable to reuse or recycle your article it should be disposed of at a civic amenity site or a local authority recycling facility • Do not dispose of your product within household waste • Disposal of the packaging & your product should be done in accordance with local regulations • Batteries are not to be disposed of in municipal waste stream and require separate collection.

### GUARANTEE

Your Reflex Active product is guaranteed against any defective construction or parts for 12 months from date of purchase. Please retain your receipt as proof of purchase. Breakages caused by water damage, accident or mishandling are not covered. This guarantee is in addition to your statutory consumer rights.

### HELP AND CONTACT

If you require any further assistance using your REFLEX ACTIVE product we are here to help!

You can also contact the REFLEX ACTIVE customer service team Monday to Friday, 9AM to 4PM on:

+44 (0) 121 524 1400 [support@reflex-active.com](mailto:support@reflex-active.com)

There is also lots of information on our website [reflex-active.com](http://reflex-active.com) that you may find helpful.