

Gate Kit Complete Instructions



IF YOU CAN DREAM IT, YOU CAN BUILD IT.

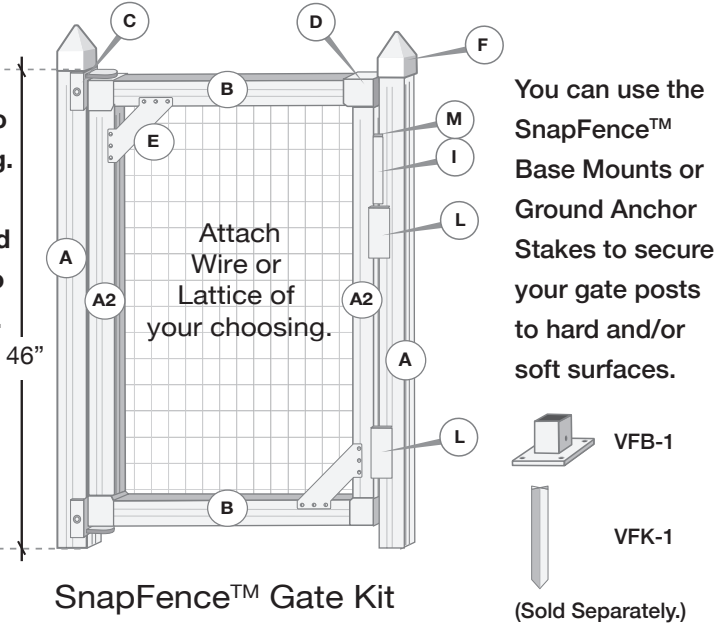
Part Number: GK-4

Directions for constructing and installing your SnapFence™ Gate Kit.

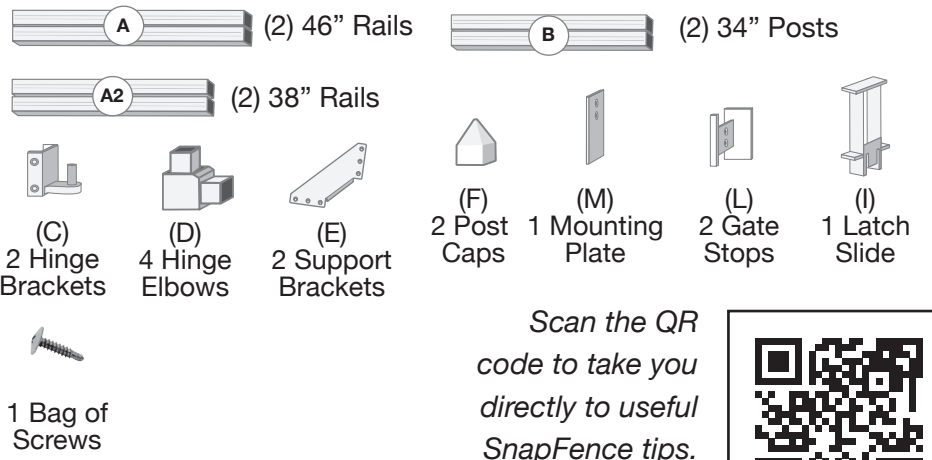
Size: up to 3' wide and 4' high. But it can be easily cut to fit any size opening.

Both the height and width can be cut to any desired length.

- Can be attached to:
- Wood
 - Masonry
 - Vinyl
 - T-Post/U-Post
 - SnapFence™



1) Open package and separate parts. Gate panel may not use all parts listed.



Scan the QR code to take you directly to useful SnapFence tips.
www.snapfence.com
or phone us: 888-959-4471



2) Build the Gate.

- Lay out the parts as shown in the diagram. Begin to attach components.
- Using a small hammer or rubber mallet, lightly tap the components together.

2.1) Gate Corners.

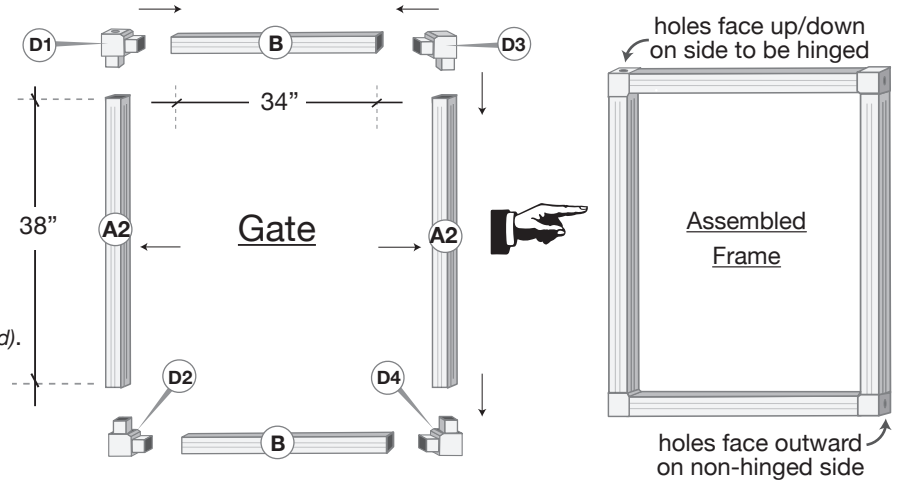
- Attach Gate Corners (D) to gate structure (A2 and B) by sliding corners into the Posts/Rails. Make sure the holes on the hinge side Gate Corners (D1 and D2), face up and down, and the holes on the latch side Gate Corners (D3 and D4) face outward.

3) Attaching Upright Posts.

- Attach the Hinge Brackets (C) to any existing SnapFence™ system (extra posts will not be needed).
 - Attach to U-post using zip ties (not included) or attach to the U-post using screws.
 - Attach to masonry by simply drilling through the post (A) using Red Head bolts (not included).
 - Attach to existing vinyl by simply drilling through the post (A) and using lag bolts (not included).
 - Attach to existing wood by simply drilling through the post (A) and using lag bolts (not included).
- The hinge bracket (C) will fit directly onto the edge of 2x4 wood, simply screw the hinge bracket (C) into the wood using the enclosed screws.

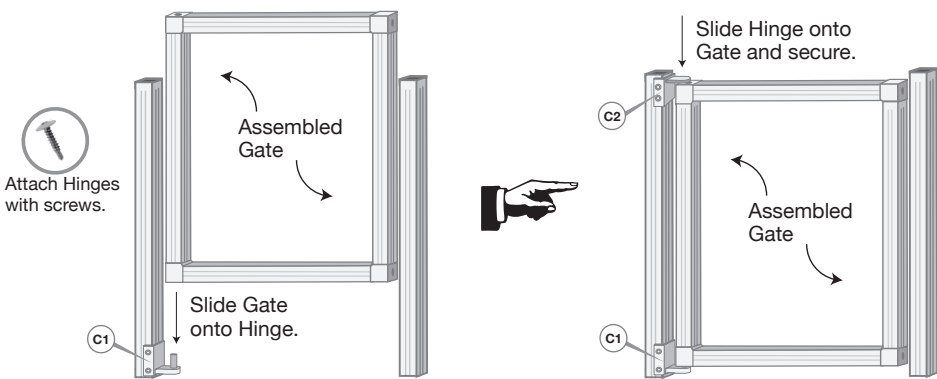
3.1) Install the Gate.

- Attach bottom gate Hinge (C) to vertical post using supplied screws. Align with the bottom most edge of the post.
- Slide assembled gate over bottom Hinge Bracket (C1) to attach gate.
- Slide top Hinge Bracket (C2) into top Gate Corner (D1) and attach to vertical post using supplied screws.

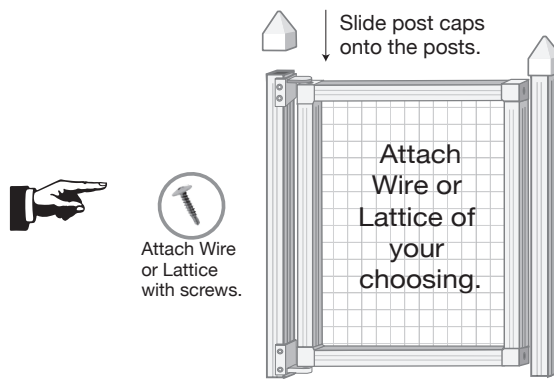


3.2) Install Gate Panel.

- To install Gate Panel place panel against Post and Rail and attach by using screws to secure wire along its edge.
- When installing wire or lattice make sure gate is hanging properly. The tension created by hanging wire or lattice can cause the gate to become misaligned.



3.1 Diagram

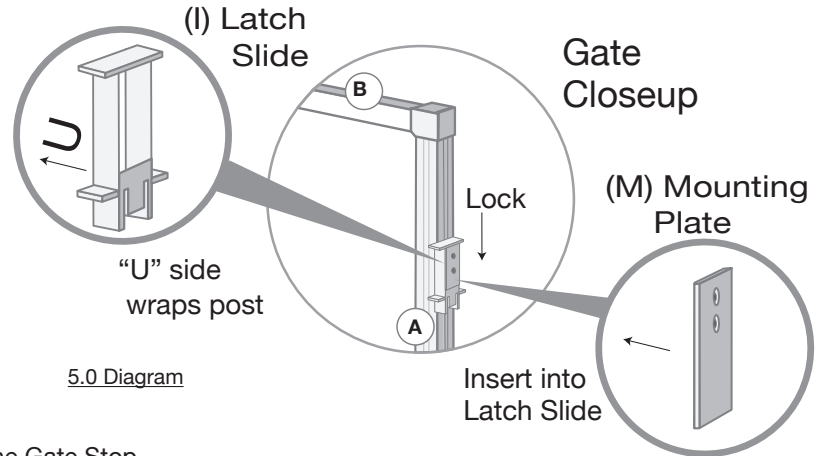


3.2 Diagram

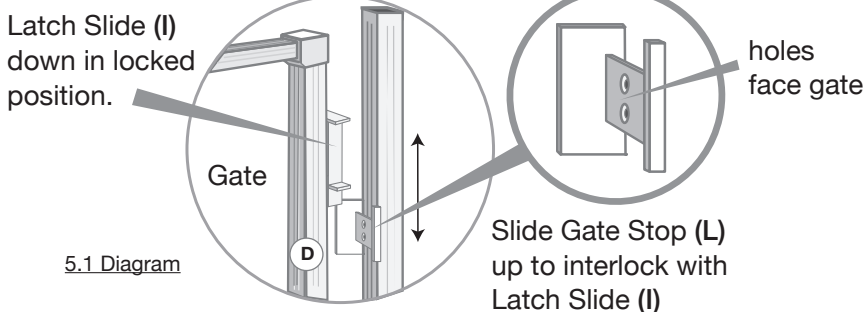
- Use wire or lattice panels of your choosing.
- You can either place wire or lattice on front or back side of gate.

4) Install the Latch.

- Attach Latch Slide (I) onto gate structure (A) using Latch Mounting Plate (M) and screw.
- The "U" shaped section of the Latch Slide (I) should wrap around vertical post.
- The Mounting Plate (M) will insert into the Latch Slide (I) keeping it attached to the gate structure. The top of the Mounting Plate (M) should face towards the latch vertical post.
- Use supplied screws to attach Mounting Plate (M) to gate structure (D).
- Once complete, slide the Latch Slide (I) down into the locked position.



5.0 Diagram



5.1 Diagram

5.1) Position Gate Stop.

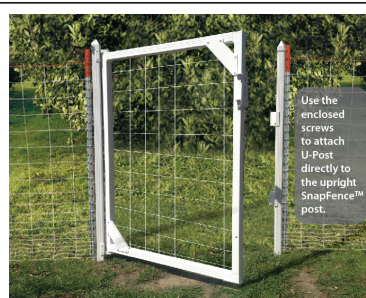
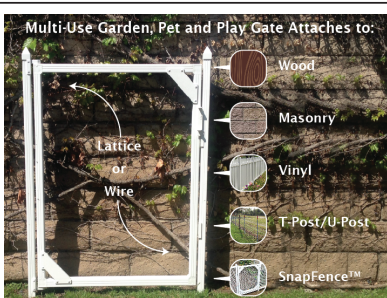
- Position Gate Stop (L) to the center of the vertical post but do not secure.
- Close gate with latch still in locked position (lowered).
- Slide Gate Stop (L) up until it interlocks with Latch Slide (I).
- The screw holes in the Gate Stop (L) should be facing the gate (D).
- Make sure Latch Slide (I) does not slide up when doing this. This is the correct position for the top Gate Stop (L). Mark this position with a pencil.

NOTE:

- Secure components with PVC glue if a permanent fit is desired.



Customer service is our number one priority. If you have any questions we will be happy to help you: 888-959-4471



Size: Up to 3' wide and Up to 4' high