

VACUUM DRAIN ASSEMBLIES

Installation Instructions



These vacuum actuated drain assemblies eliminate the need for conventional plumbing drains. They allow installation of a cuspidor or sink wash station where a gravity drain is not available or practical. They provide quiet operation and easy installation.

CUSPIDOR

INSTALLATION INSTRUCTIONS

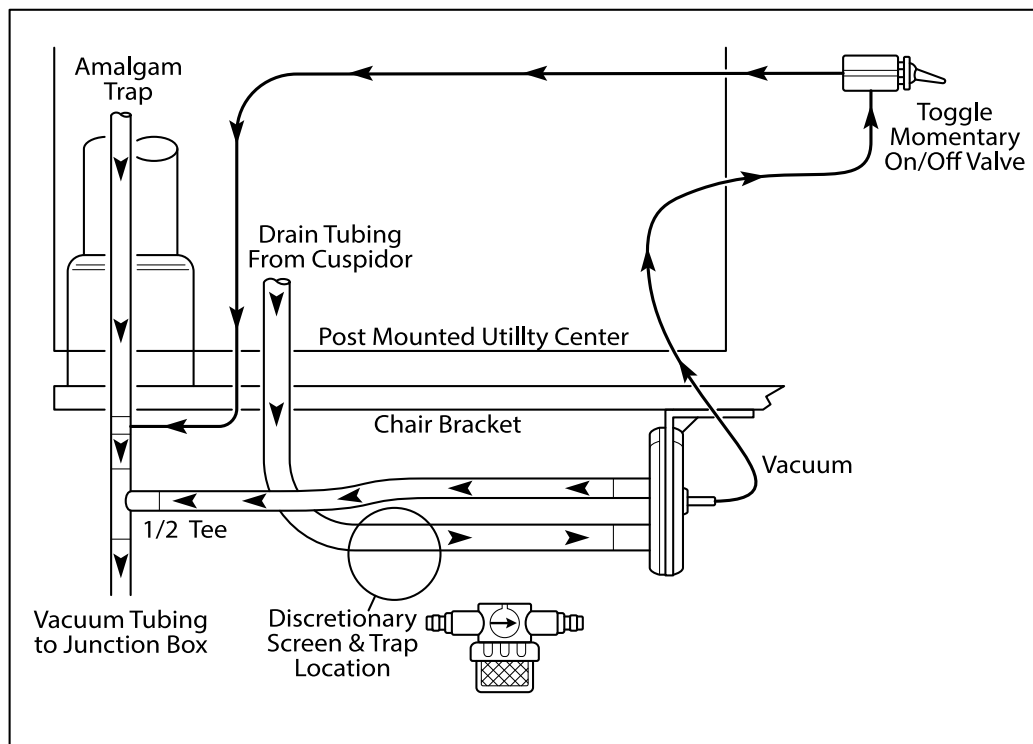
Mount the assembly valve at least 12" below the cuspidor bowl-under the chair/unit bracket, in the post mounted utility center or in the standard floor utility center is recommended.

Install the enclosed 1/2" plastic tee and tubing to the 1/2" fitting on the valve, splicing it into the HVE line.

A 3/4" tube adapter is provided, however connection to a 5/8" or 3/4" drain is possible.

Install the momentary flush toggle in a convenient location.

Note: The vacuum valve will adapt to all makes and models of cuspidors on the market if the cuspidor and drain are properly vented to permit unrestricted flow of waste to the vacuum valve.



CLEANING PROCEDURE

The screen in the plastic bowl should be monitored daily for cleaning to insure proper flow within the system.

The flush toggle allows the entire system to be flushed and drained at the end of each day.

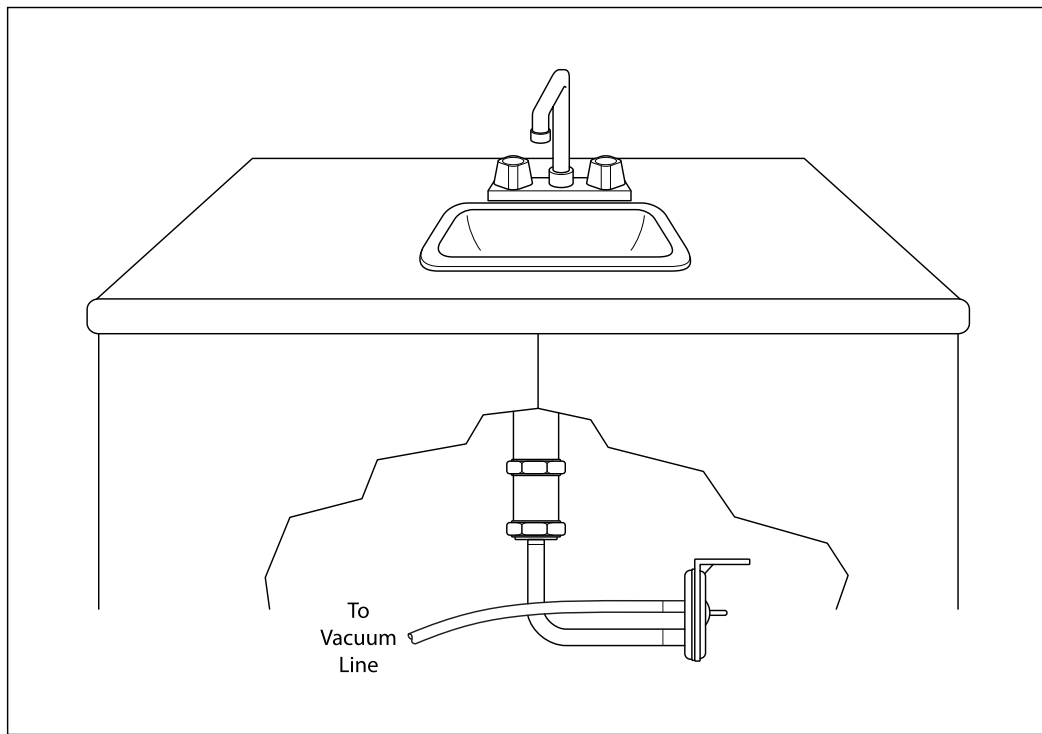
WASH STATION

INSTALLATION INSTRUCTIONS

Install the vacuum wash station drain adapter a minimum of 7" below the bottom of the wash station sink.

Mount the vacuum wash station valve on the rear cabinet wall making sure it is below the bottom of the drain adapter. If the rear wall is unacceptable, the valve may be mounted in any suitable location or it can be allowed to hang freely.

Attach the 1/2" vacuum tubing to the valve.



CLEANING PROCEDURE

The drain adapter contains a screen which is easily removed and cleaned by simply unscrewing the sleeve from the top threaded fitting.

This screen should be checked on a regular basis or at the first sign of slow draining.