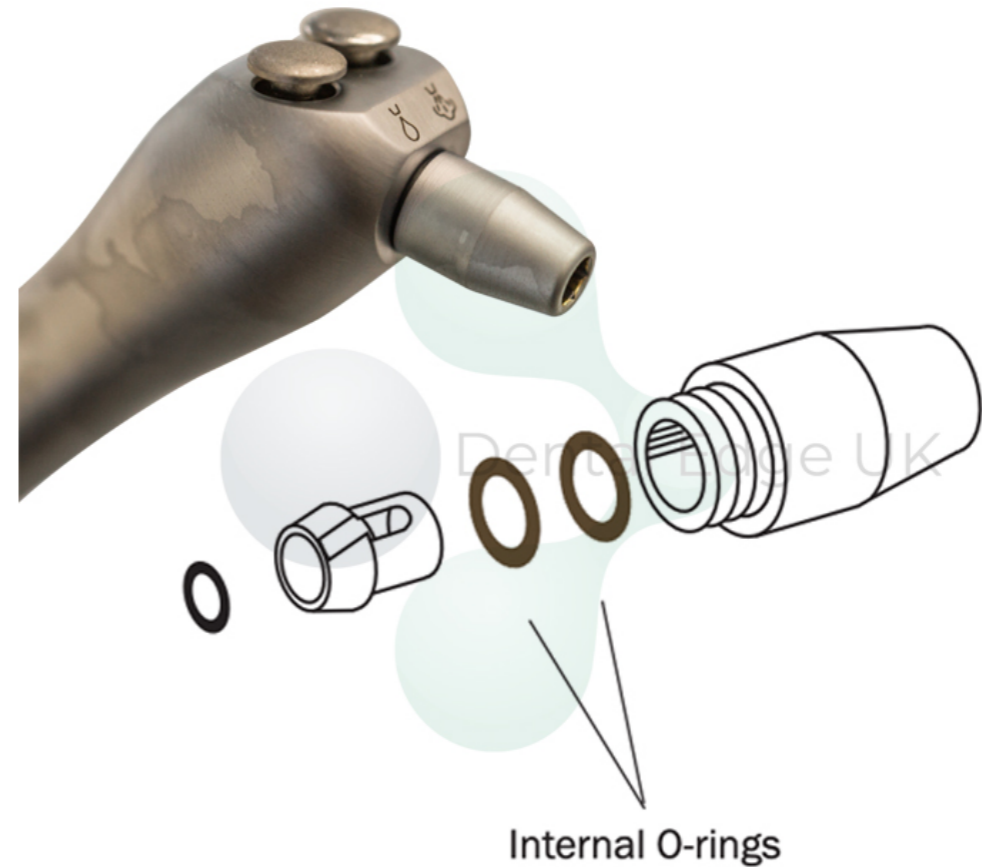


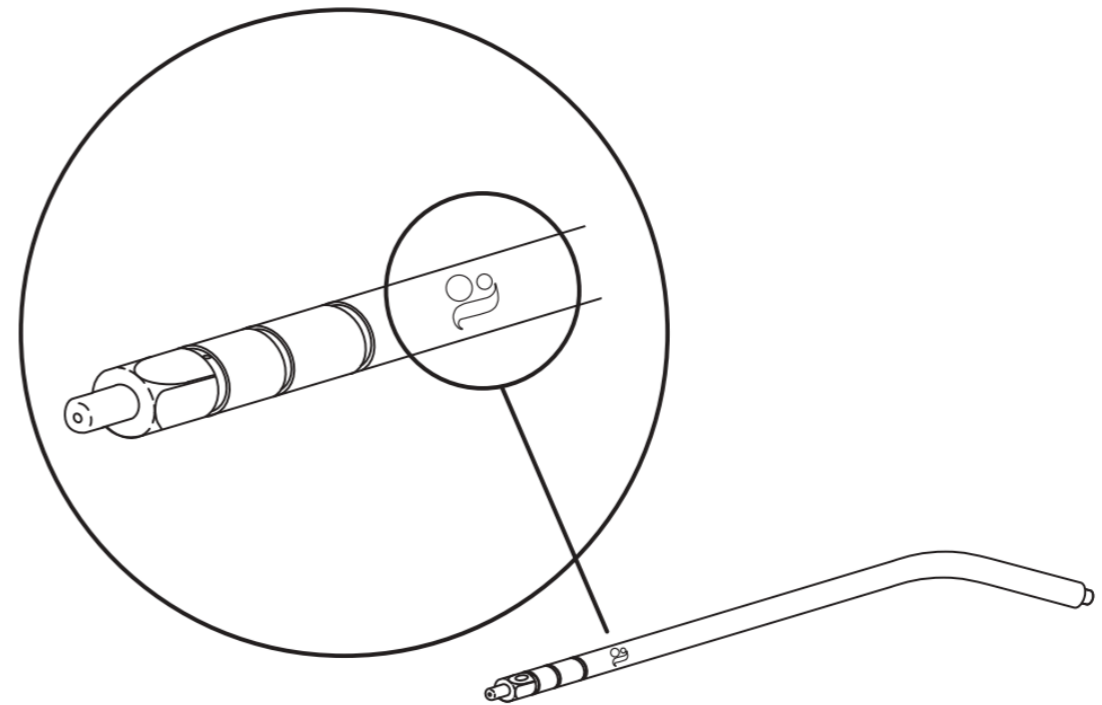
Dental Edge UK

DCI 2242 O-Ring to fit A-
Dec Syringe Tip Adaptor
(Pack of 12)



Syringe Tips

- A-dec Syringe tips have three locking grooves which hold the tip in place when properly installed and prevent ejection of the tip during use. Aftermarket tips only have one or two grooves and this can result in syringe tip ejection. Tip ejection may result in ingestion or aspiration of the tip, requiring immediate medical attention.



Installing the Syringe Tip

1. Push the syringe tip into the syringe tip retainer assembly until you feel two clicks.

WARNING If you do not feel two clicks as you install the syringe tip, do not use the syringe. The O-rings inside the syringe tip retainer assembly are damaged and may allow the syringe tip to be ejected. Replace the O-rings before using the syringe.

2. Point the syringe at the floor and press the air button several times to be sure the tip is properly installed.

