

**Primo, Duo, Trio, Quattro, Quattro Tandem**



www.duerrdental.com  
Order number: 5152100003



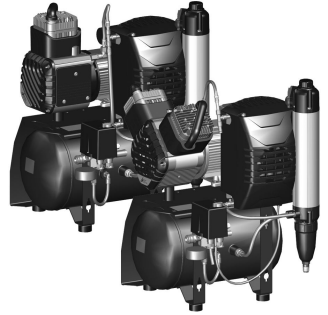
Ambient temperature



Upper limit of humidity

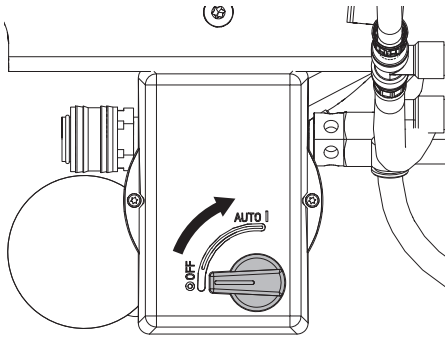


Only qualified specialists or employees trained by Dürr Dental are permitted to install, connect and start using the unit.

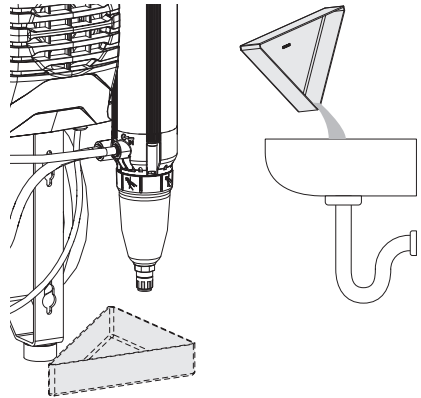


**Switch on the unit.**

1

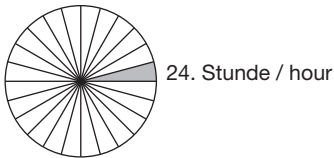


2



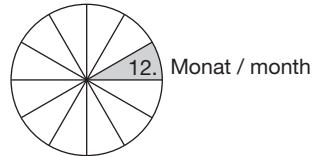
**Drain the collecting tray**

1



**Changing the filter**

1



**DÜRR DENTAL SE**  
Höpfigheimer Str. 17  
74321 Bietigheim-Bissingen,  
Germany

**5152100004L40**



2105V002

