



fresco™

**contemporary
baby chair**

chaise haute fresco /
silla fresco

user guide

bloom
bloombaby.com

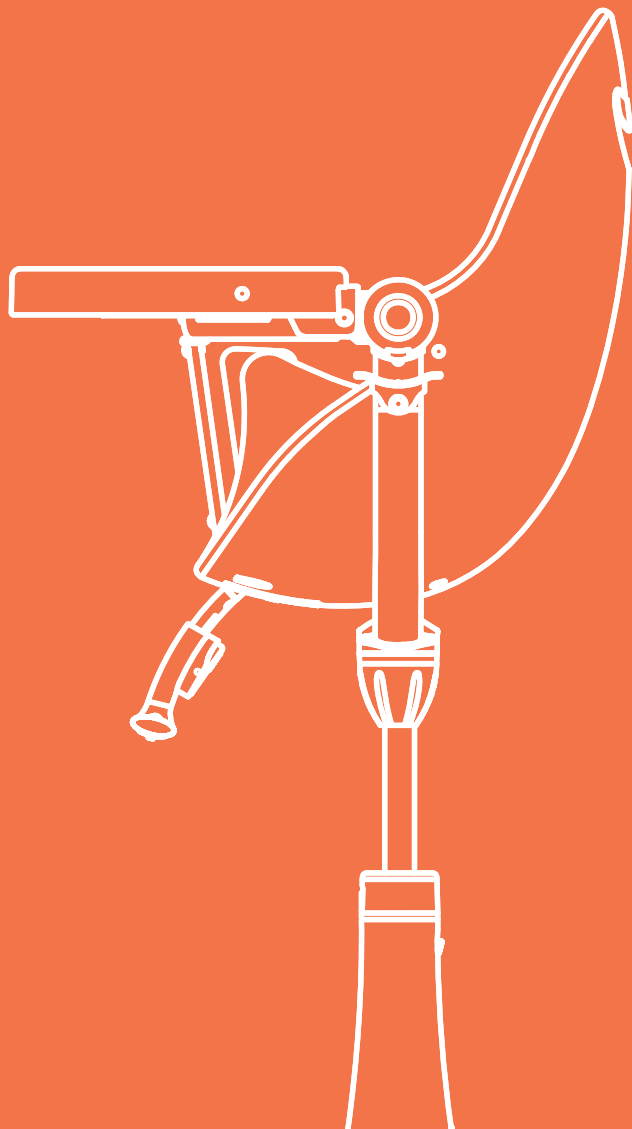


illustration contents

Part List & Illustrations i 1

Liste des pièces & Illustrations

Lista de piezas e ilustraciones

Mittelgeliefertes Zubehör & Abbildungen

Lista delle parti & illustrazioni

Onderdelenlijst & Illustraties

Reservedelsliste & illustrationer

a

Basic Assembly i 3-i 4

Assemblage rapide

Armado básico

Basis-Montage

Montaggio di base

Basismontage

General montering

b

Reclined Cradle Mode: suitable for 0 – 6 months i 5-i 7

Configuration transat – De la naissance jusqu'à 6 mois

Modo Cuna – Apropiado de 0 a 6 meses

Wiegenstellung – geeignet für 0 – 6 Monate

Modalità Culla – adatto a bambini da 0 a 6 mesi

Babystand – geschikt van 0 – 6 maanden

Skråstol position : egnet til børn fra 0 – 6 måneder

c

Highchair mode – suitable for 6 – 36 months i 8-i 11

Configuration chaise haute – utilisation de 6 à 36 mois

Modo de silla alta – Para 6 a 36 meses

Hochstuhl-Modus Geeignet für 6 bis 36 Monate

Modalità seggiolone – adatto dai 6 ai 36 mesi

Peuterstand – geschikt van ca. 6 tot 36 maanden

Højstol position – egnet til børn fra 6 – 36 måneder

d

Comfort nest Installation i 12-i 14

Installation du rehausseur

Instalación del asiento reductor

Einbau der Sitzeinlage

Montaggio del riduttore

Zitverhoger installatie

Booster sæde installation

e

Toddler Chair Mode – suitable for 36 months to 36kg / 79lbs i 15-i 16

Configuration fauteuil – destinée aux enfants de 36 mois jusqu'à 36Kgs

Modo de Silla para niño – para niños de 36 meses a 36kg / 79lbs

Kleinkind Stuhl-Modus – Geeignet für 36 Monate bis 36kg / 79lbs

Modalità sedia per bambini – adatto dai 36 mesi ai 36kg / 79lbs

Kinderstand – geschikt voor kinderen van 36 maanden tot 36kg / 79lbs

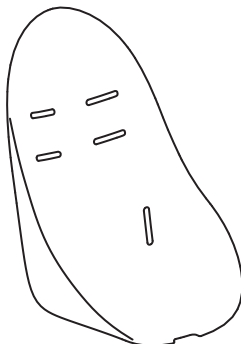
Barnestol position - egnet fra 36 måneder til 36 kg



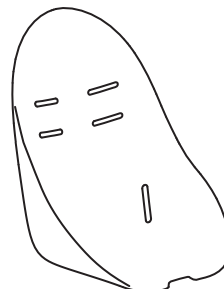
#01 swivel shaft



#02 swivel shaft housing



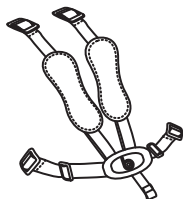
#07 seat (sold separately)



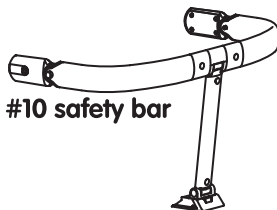
#08 nest pad (sold separately)



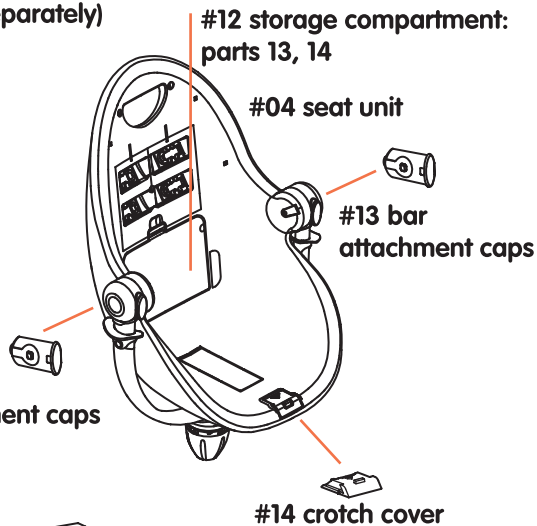
#03 base



#09 safety harness (sold separately)



#10 safety bar



#04 seat unit

#12 storage compartment: parts 13, 14

#13 bar attachment caps

#14 crotch cover

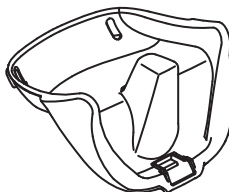


#05 mini tray

#13 bar attachment caps



#06 food tray



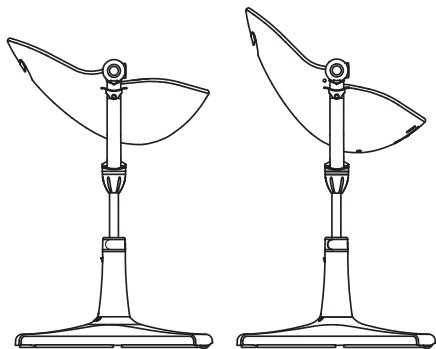
#15 comfort nest



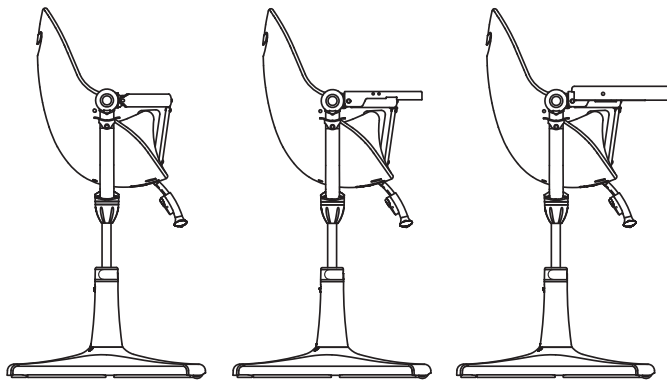
#11 footrest

NOTE:
parts #13 & #14 are preloaded on part #4 as shown above

reclined cradle mode:
0 – 6 months



highchair mode: 6 – 36 months (with comfort nest)

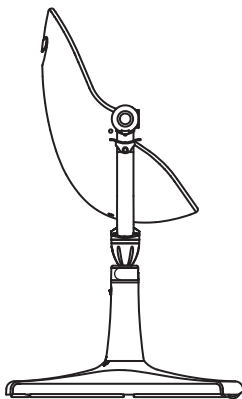


safety

play tray

food tray

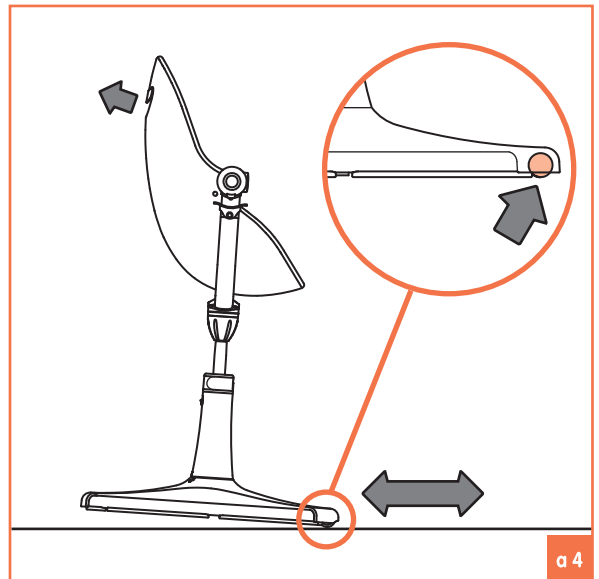
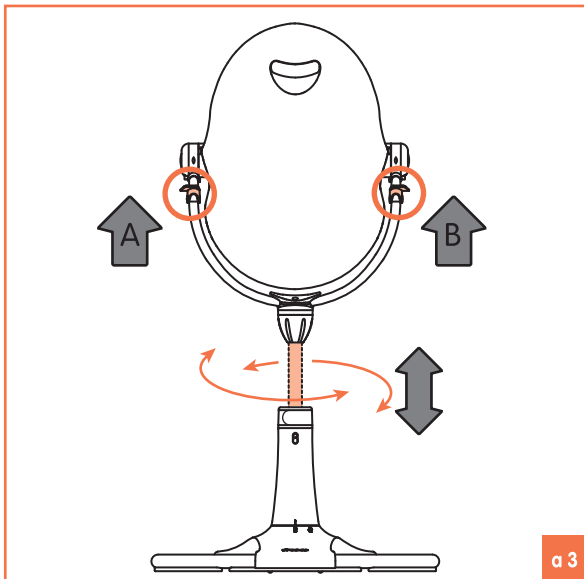
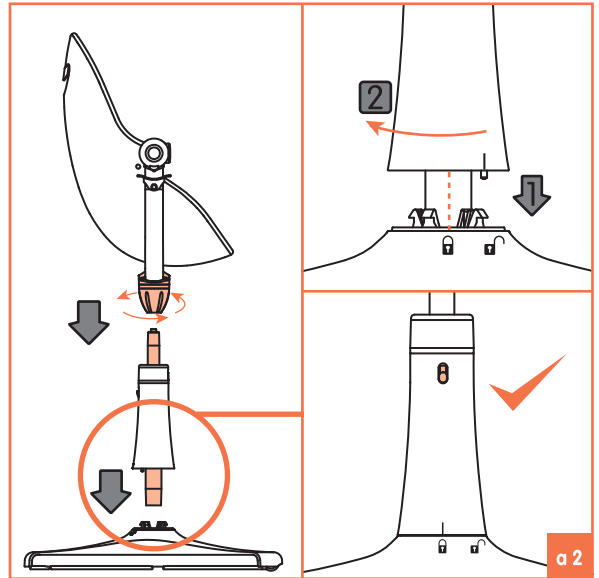
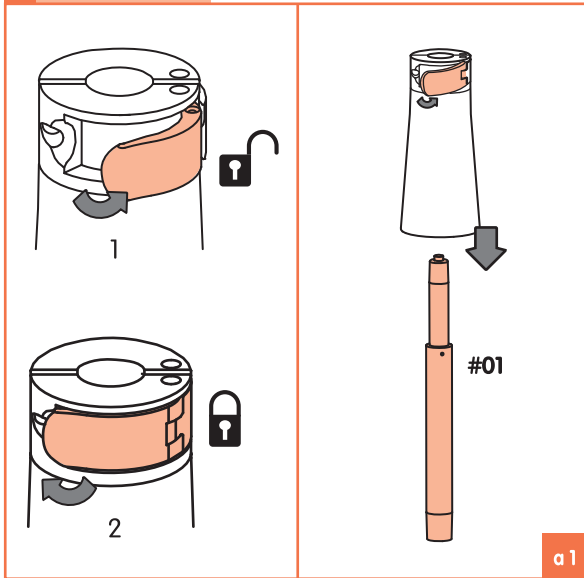
toddler chair mode: 36 months to 36kgs / 79lbs



a

- Basic Assembly
- Assemblage rapide
- Armado básico
- Basis-Montage
- Montaggio di base
- Basismontage
- General montering

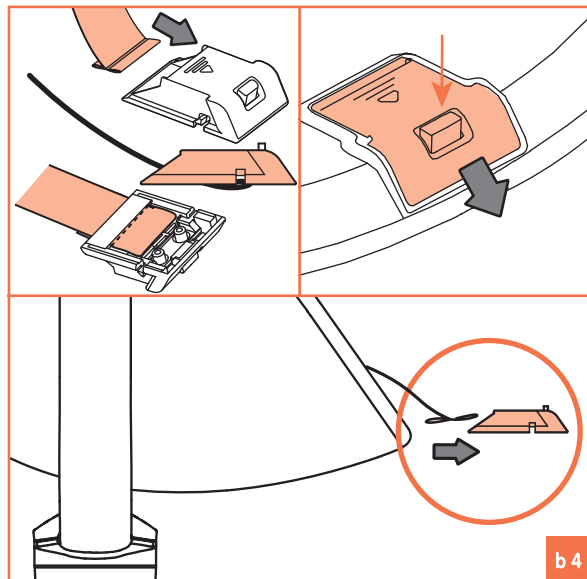
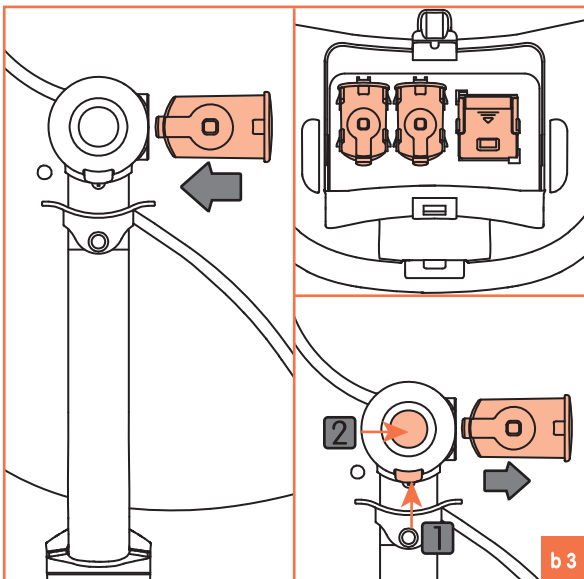
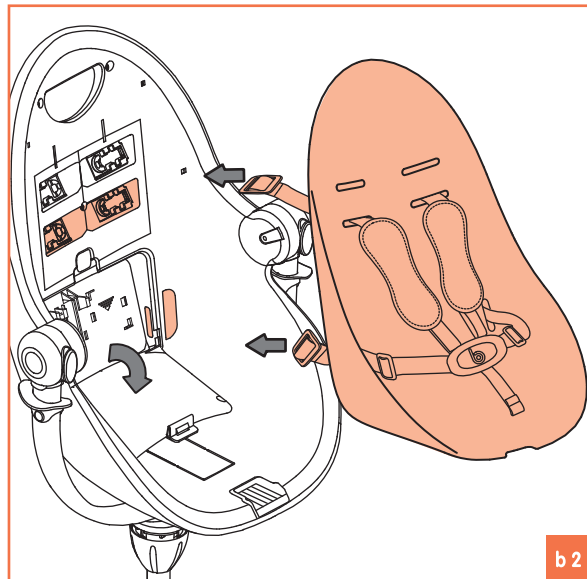
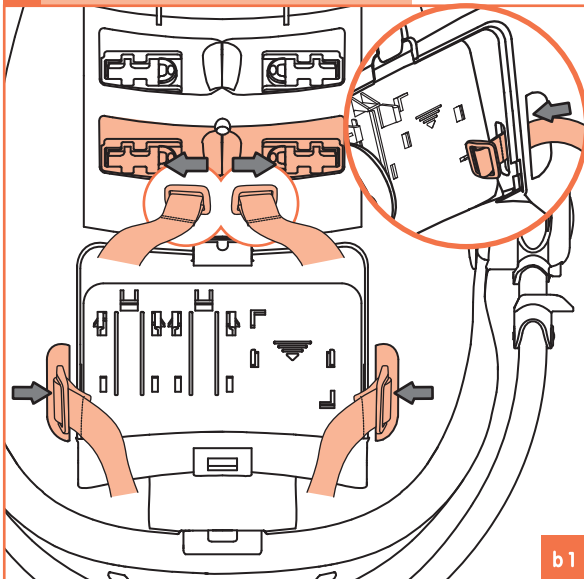
a basic assembly

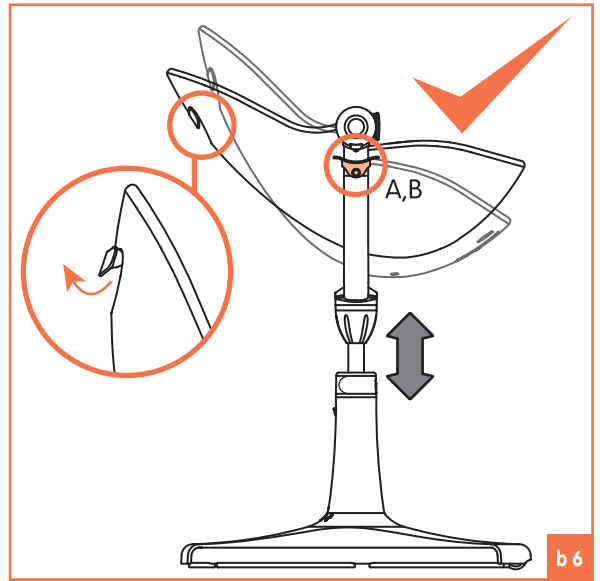
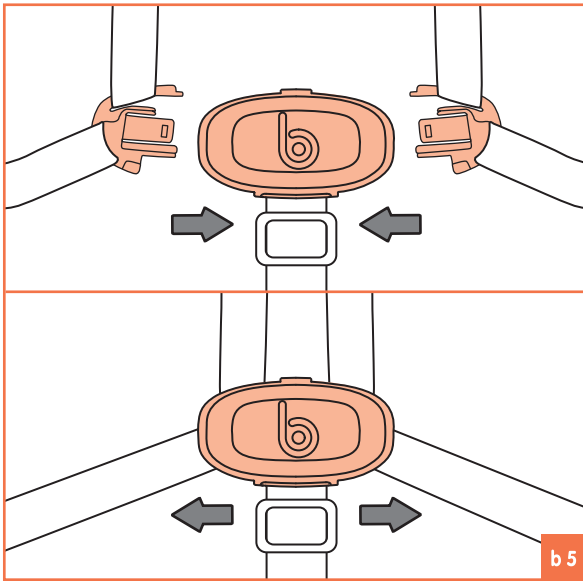


b

- Reclined Cradle Mode: suitable for 0 – 6 months
- Configuration transat – De la naissance jusqu'à 6 mois
- Modo Cuna – Apropriado de 0 a 6 meses
- Wiegenstellung – geeignet für 0 – 6 Monate
- Modalità Culla – adatto a bambini da 0 a 6 mesi
- Babystand – geschikt van 0 – 6 maanden
- Skråstol position : egnet til børn fra 0 – 6 måneder

b reclined cradle mode 0 – 6 months

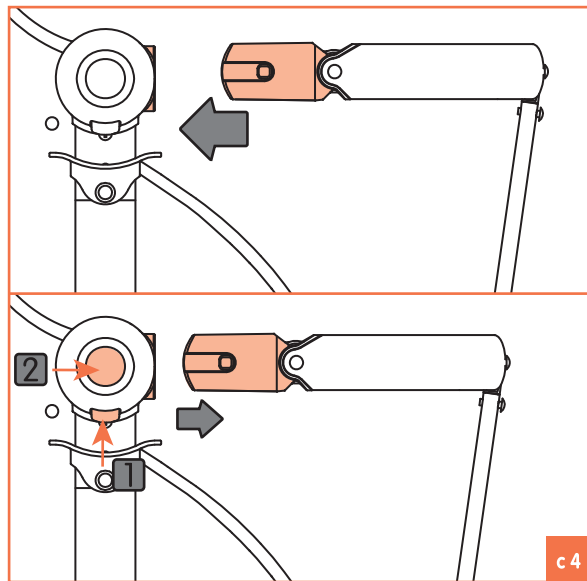
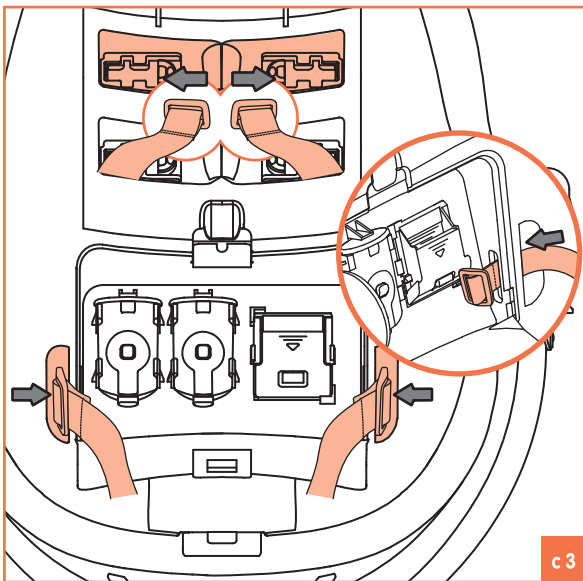
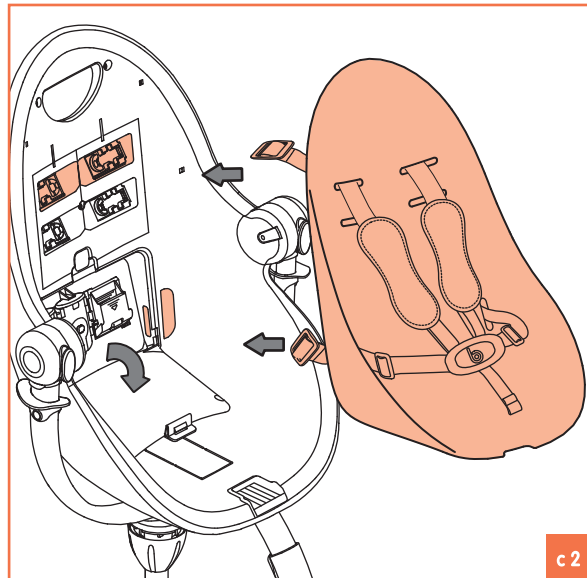
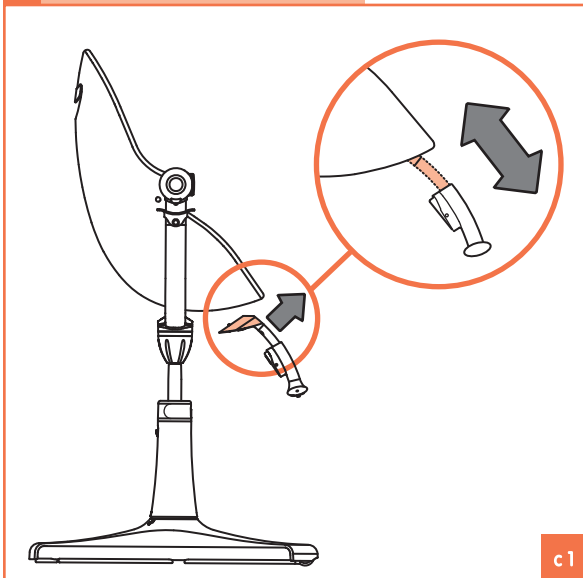


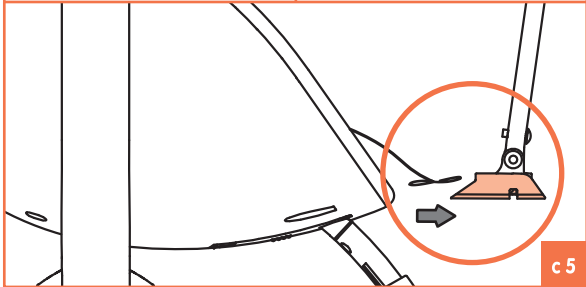
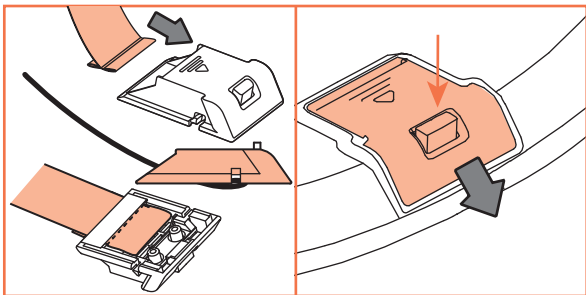


C

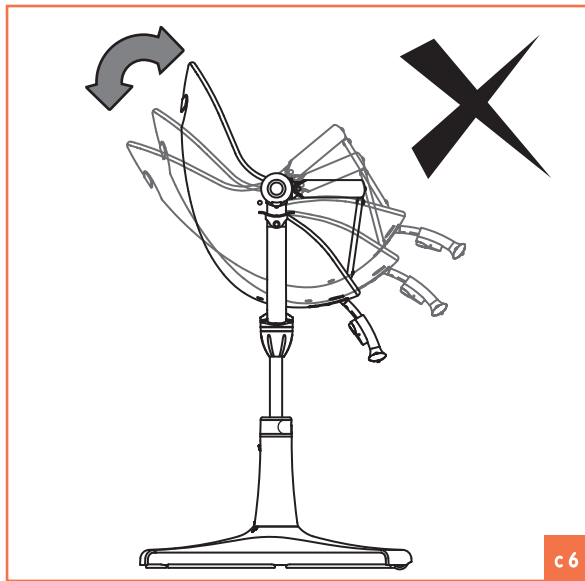
- Highchair mode – suitable for 6 – 36 months
- Configuration chaise haute – utilisation de 6 à 36 mois
- Modo de silla alta – Para 6 a 36 meses
- Hochstuhl-Modus Geeignet für 6 bis 36 Monate
- Modalità seggiolone – adatto dai 6 ai 36 mesi
- Peuterstand – geschikt van ca. 6 tot 36 maanden
- Højstol position – egnet til børn fra 6 – 36 måneder

c highchair mode: 6 – 36 months

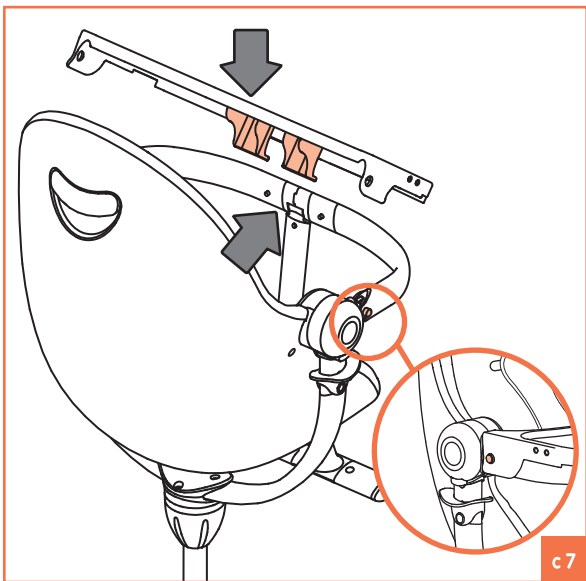




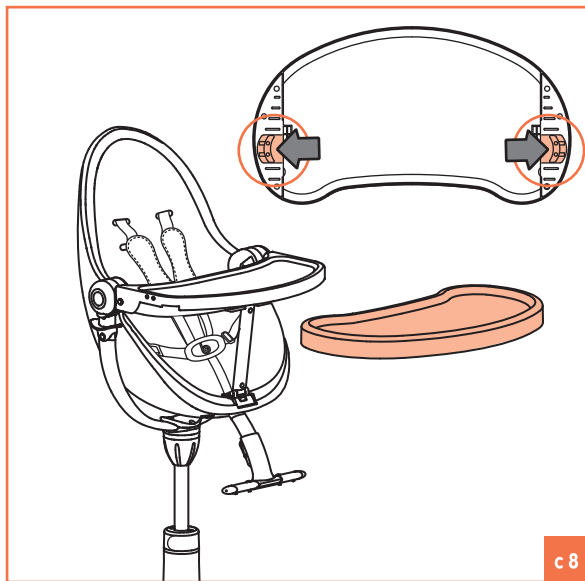
c 5



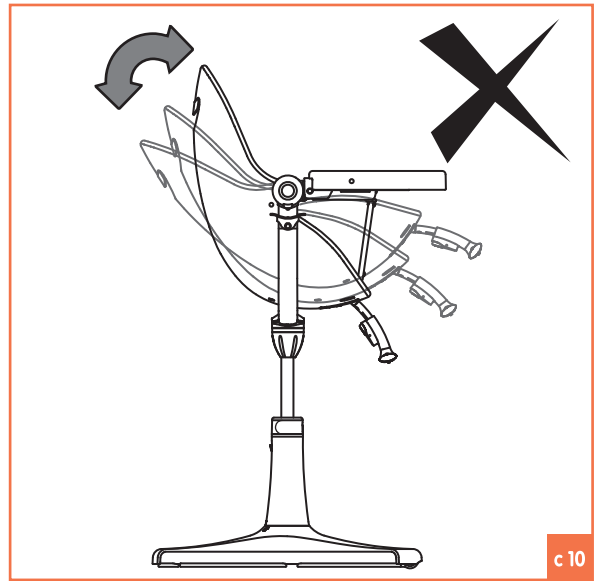
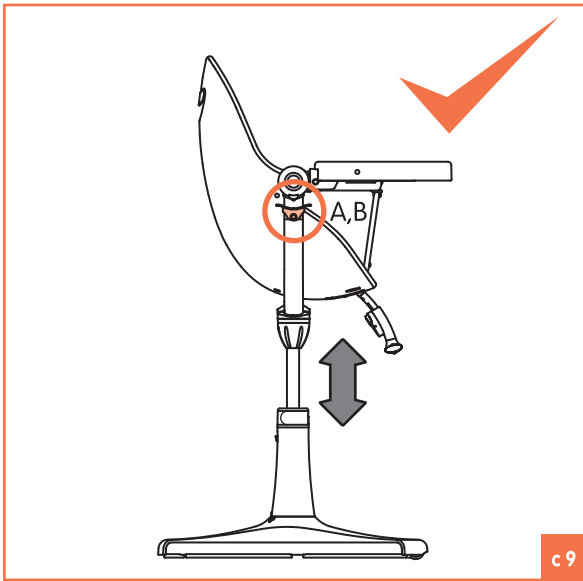
c 6



c 7



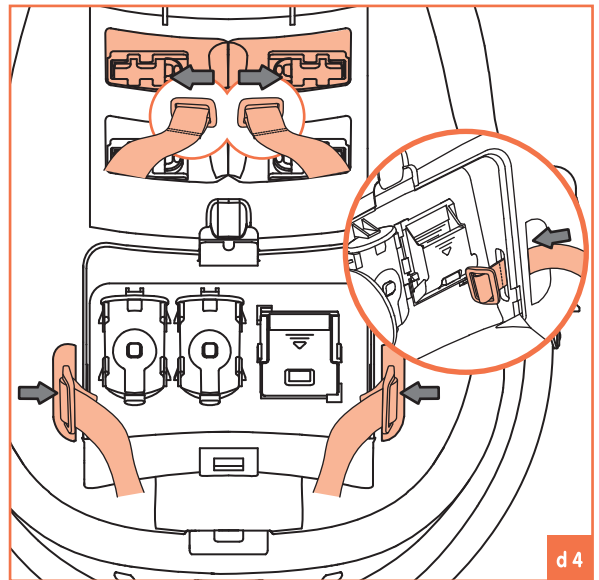
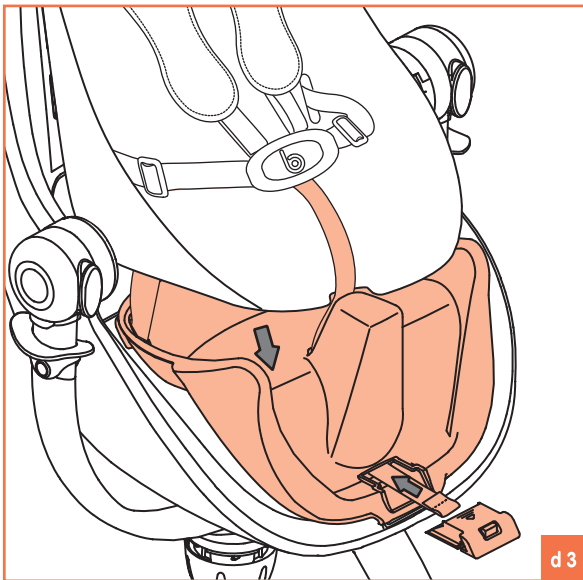
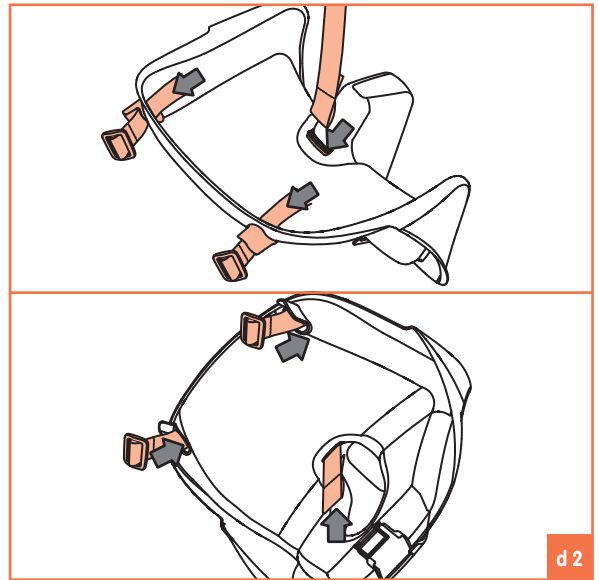
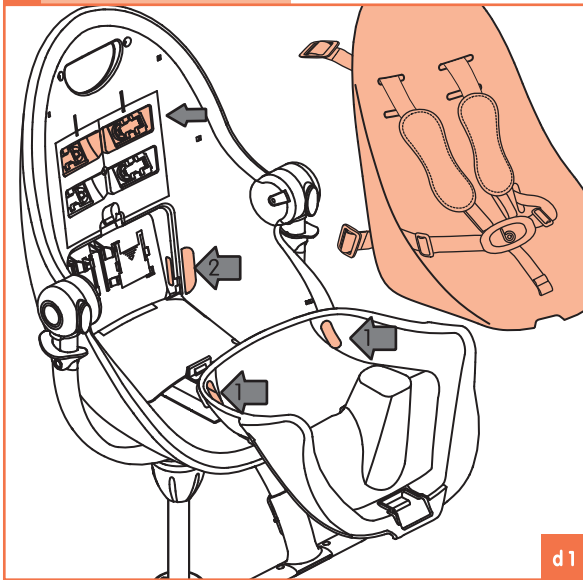
c 8

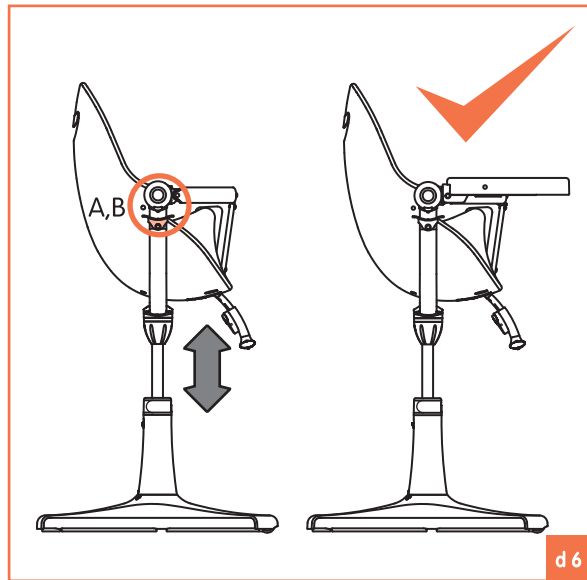
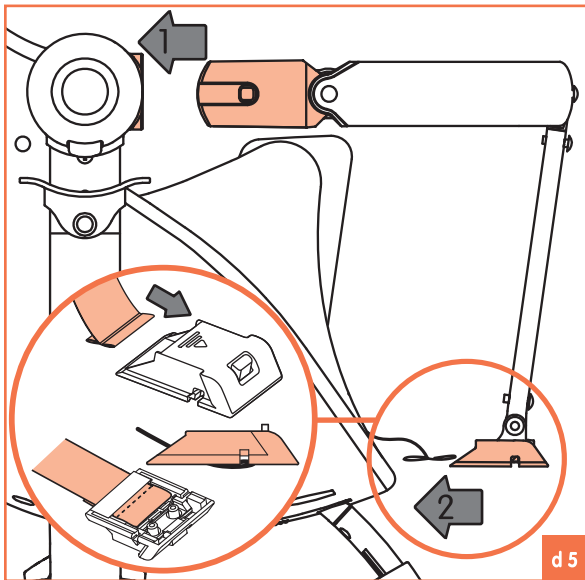


d

- Comfort nest Installation
- Installation du rehausseur
- Instalación del asiento reductor
- Einbau der Sitzeinlage
- Montaggio del riduttore
- Zitverhoger installatie
- Booster sæde installation

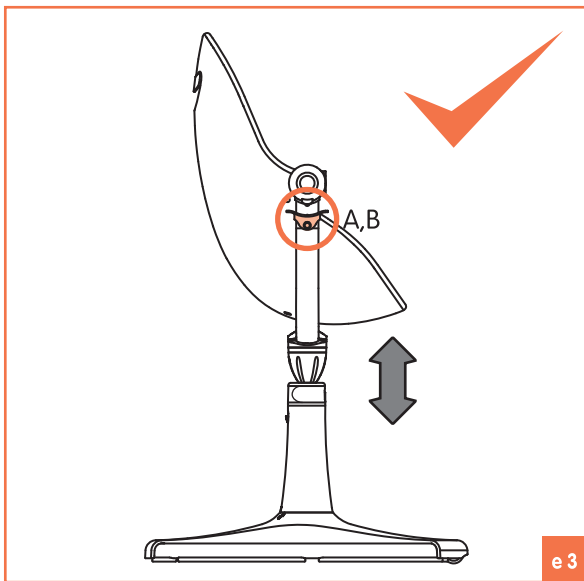
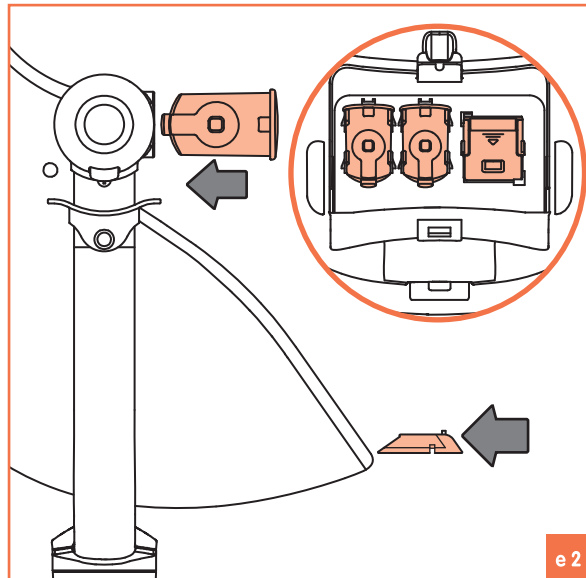
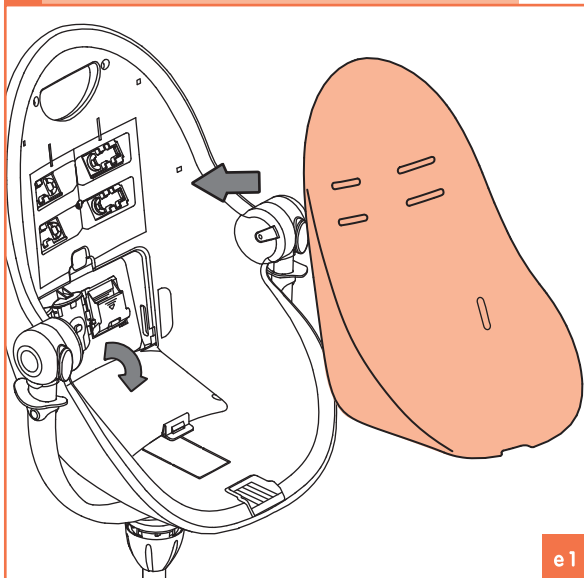
d comfort nest installation





- Toddler Chair Mode – suitable for 36 months to 36kg / 79lbs
- Configuration fauteuil – destinée aux enfants de 36 mois jusqu'à 36kg / 79lbs
- Modo de Silla para niño – para niños de 36 meses a 36kg / 79lbs
- Kleinkind Stuhl-Modus – Geeignet für 36 Monate bis 36kg / 79lbs
- Modalità sedia per bambini – adatto dai 36 mesi ai 36kg / 79lbs
- Kinderstand – geschikt voor kinderen van 36 maanden tot 36kg / 79lbs
- Barnestol position- egnet fra 36 måneder til 36kg / 79lbs

e toddler chair mode: 36 months – 36kg / 79lbs



A series of 20 horizontal dotted lines for writing.

frescoTM

contemporary baby chair

contents

Instructions – eng	1-10
Instructions – fr	11-20
Instrucciones – es	21-30
Gebrauchsanweisung – de	31-41
Istruzioni – it	42-51
Instructies – ned	52-61
Instruktioner – dk	62-71

Thank you for choosing *fresco*™ as your baby chair – the *fresco*™ is bloom's next generation contemporary chair.

**IMPORTANT!
RETAIN FOR FUTURE
REFERENCE: READ
CAREFULLY BEFORE
ASSEMBLY AND USE
OF PRODUCT.**

Please remove all packaging materials before use.

Age Recommendation

Recommended for use between newborn & 36kg / 79lbs.

Product Information

This baby chair has been designed and tested to ensure compliance with the latest relevant global safety standards.

This baby chair is designed with multiple configurations of use for babies and toddlers from newborn to 36kg / 79lbs:

- reclined cradle mode: from 0 to 6 months
- highchair mode: from 6 months to 15kg / 33lbs
- toddler chair mode: from 36 months to 36kg / 79lbs

Model No.: 10515

PATENT PENDING

Colour & contents may vary

Instructions for safe use—read carefully and keep for future reference

The correct use and maintenance of your baby chair will ensure trouble-free use. When somebody else is using your baby chair ensure they also know how to use it, how to adjust it and the necessary safety precautions. The safety of your child is your responsibility.

NOTE: Adult assembly required.

IMPORTANT!

Store away from natural light – exposure to sunlight for prolonged periods will fade colors and hasten aging process.

Section A: Basic Assembly (refer to illustrations section a)

Swivel/Height Resistor

IMPORTANT!

The resistor is designed to prevent inadvertent or free spinning, however with adult force it is still possible to rotate the seat unit.

To engage

Press metal lever inwards, until it sits flush with the plastic housing. Check the device is engaged by turning the seat unit.

To disengage

Pull the metal lever outwards fully. Check the device is disengaged by turning the seat unit.

(#01 swivel shaft, #02 swivel shaft housing)
Insert the swivel shaft all the way into the swivel shaft housing (make sure swivel resistor is disengaged). Engage swivel resistor. (refer to illustration a1)

Base and Seat Assembly

(#01 swivel shaft, #03 base, #02 swivel shaft housing) Insert the swivel shaft to base by aligning the 'unlock' icon marking on the base to the indication line marked on the swivel shaft. Turn until locked into position. You will hear an audible click. In locked position the indication line should point to the 'lock' icon. Check the swivel shaft is securely locked by lifting upwards. Press shaft button to raise swivel shaft.

To disassemble, lift the slide button on side of swivel shaft whilst turning to align the 'unlock' icon to indication line. Pull to remove.

(#04 seat unit) insert the seat unit onto swivel shaft and tighten fastening cap counter-clockwise. Check seat unit is secured by pulling seat unit upwards. (refer to illustration a2)

Swivel and Height Adjustment

To rotate the seat unit, disengage the swivel/height resistor, and then turn the seat unit sideways to desired position.

To adjust seat height, disengage the swivel/height resistor. Lift both A & B trigger simultaneously, whilst pushing downwards or pulling upwards to desired height, then release the triggers. (refer to illustration a3)

IMPORTANT!

Ensure the seat unit is firmly inserted onto the swivel shaft before use. Check the seat unit is assembled properly by trying the height adjustment function, following the instructions in this user guide. If the height adjustment fails to work, this means the seat unit is not properly assembled, please re-try and press seat unit downwards on the swivel shaft firmly in order to properly engage the height adjustment mechanisms.

Lift & Glide – Easy Glide Wheels

To move the baby chair across floor, first rotate the seat unit so it is front facing, then engage swivel resistor. Tilt the baby chair forward by lifting in the handle area located on the rear of the seat unit, and then glide the highchair across floor using the castor wheels, which are located under the front end of the base. (refer to illustration a4)

WARNINGS:

- Continue to assemble the baby chair according to the configuration suitable for your child. Follow the corresponding instructions carefully.
- A child's safety is your responsibility.

WARNINGS:

- Prevent serious injury or death from falls or sliding out.
- Always secure child in the restraint.
- Never leave child unattended.

Section B: Reclined Cradle Mode

– suitable for 0 – 6 months (refer to illustrations section b)

WARNINGS:

- Do not use the reclined cradle once your child can sit unaided.
- Reclined cradle mode is intended for children with a maximum weight of 9 kg / 20 lbs.
- Never leave the child unattended when the baby chair is in reclined cradle mode.
- The child should be secured in the baby chair at all times by the 5-point safety harness in reclined cradle mode.
- It is dangerous to put this reclined cradle on an elevated surface.
- Keep the product away from open fire, heaters and other sources of strong heat.
- Do not use the product unless all components are correctly fitted and adjusted.
- Make sure harness is correctly fitted before use.
- This reclined cradle is not intended for prolonged periods of sleeping.
- It is dangerous to put this baby chair on an elevated surface.
- This reclined cradle does not replace a cot or a bed. Should your child need to sleep, then your child should be placed in a suitable cot or bed.
- Do not use accessories or replacement parts other than those approved by the

manufacturer.

- Do not use the reclined cradle if any components are broken or missing.
- Always use the restraint system.

To install Seat Pad & Safety Harness Assembly

- (#07 seat pad, #09 safety harness) Put shoulder straps through the seat pad slits at the lower height setting.
- Put waist straps through the seat pad slits.
- Place seat pad onto the seat unit; secure onto velcro. (refer to illustration b1)
- (#04 seat unit) Behind the seat pad, slide the buckle on the end of the shoulder straps into the buckle slots located on the inner face of seat unit. (refer to illustration b2) Check the straps are secured by pulling on the straps.
- (#12 storage compartment) Behind the seat pad, pull open the storage compartment door located on the inner face of seat unit. Slide the buckle on the end of the waist straps into the buckle slots on either side of the storage compartment. Check the straps are secured by pulling on the straps.
- (#13 bar attachment caps, #14 crotch cover) From storage compartment, take out the two bar attachment caps and the crotch strap cover. Close the compartment door.
- Insert the bar attachment caps on either side of the seat unit; you will hear an audible click.
- Insert the loop on the end of the crotch strap through the upper hole of the crotch strap cover, and then put the loose end under the crotch strap cover. Then slide the crotch strap cover into the seat unit. The strap and buckle

must not be twisted or inverted. This will ensure correct locking of the harness. (refer to illustration b4)

To remove the bar attachment caps

To remove the bar attachment caps, press and hold the button under the two side domes, and then press the side button on dome cap to disengage the lock. And then press the button on the crotch cover and remove from the seat unit. (refer to illustration b3)

WARNING:

Always use the safety harness.

To remove the seat pad & safety harness for cleaning, follow the instructions given in the care & maintenance section of this user guide.

Using and Adjusting the Safety Harness

- To lock harness, push the tongues on ends of waist straps, connected with the ends of shoulder straps, into the buckle on crotch strap.
- To unlock harness, press the central button. (refer to illustration b5)
- Adjust the length of the harness straps until it fits firmly around your child.

NOTE: Every time you place your child in the baby chair or whenever you alter the position of the seat always check that the harness is correctly fitted. Tighten the harness until it fits snugly around your child.

Seat Unit Height/ Seat Unit Recline

To adjust seat height, disengage the swivel/ height resistor. Lift both A & B trigger simultaneously, whilst pushing downwards or pulling upwards to desired height, then release the triggers.

Adjust the seat unit to reclined cradle position by pulling the handle on the rear of the seat unit, then recline the seat to the lowest or intermediate position, and release the handle. You will hear an audible click. Check the seat unit is locked in position by moving it. Ensure the seat unit is reclined to the lowest or intermediate reclined cradle position for children from newborn to approximately 6 months of age, until child can sit up unaided. (refer to illustration b6)

WARNING:

Children who can not sit up unaided can only use the reclined cradle mode of this baby chair. Seat unit must be reclined to lowest or intermediate reclined cradle position. Always use the safety harness. Always be sure your child is clear of moving parts before making any adjustments.

Section C: Highchair mode

– suitable for 6 – 36 months (refer to illustrations section c)

WARNINGS:

- A CHILD'S SAFETY IS YOUR RESPONSIBILITY.
- NEVER LEAVE THE CHILD UNATTENDED.
- DO NOT USE THE HIGHCHAIR UNTIL THE CHILD CAN SIT UP UNAIDED.
- DO NOT USE PRODUCT IF ANY PART IS BROKEN, TORN OR MISSING.
- Highchair mode is intended for children able to sit up unaided (from approximately 6 months) and up to 3 years or a maximum weight of 15kg / 33lbs.
- The child should be secured in the baby chair at all times by the 5-point safety harness in the upright position. The tray is not designed to hold the child in the chair. It is recommended that the high chair be used in the upright position only by children capable of sitting upright unassisted.
- **FALL HAZARD:** Children have suffered severe head injuries including skull fractures when falling from high chairs. Falls can happen suddenly if child is not restrained properly.
- Always use restraints, and adjust to fit snugly.
- Stay near and watch child during use
- Keep the highchair away from open fire, heaters and other sources of strong heat, such as electric bar fires, gas fires etc. in the vicinity of the high chair.
- Do not use the highchair unless all components are correctly fitted and adjusted.
- **Falling hazard:** Prevent your child from climbing on the product.
- Be aware of the risk of tilting when your child can push its feet against a table or any other structure.
- Always use the restraint system.
- Make sure harness is correctly fitted before use.
- Only use the high chair on a flat, even and horizontal floor and not to elevate the high chair on any structure or table.
- Always be sure your child is clear of the highchair's moving parts before making adjustments.
- Check the highchair regularly for damage and to ensure that the harness is secure and performs correctly. No lubrication is necessary.
- Always check the tray is securely locked in place by attempting to pull it free of the highchair.
- **IMPORTANT:** Every time you place your child in the highchair or whenever you alter the position of the seat, always check that the harness is correctly fitted. Tighten the harness until it fits snugly around your child.
- **MOST INJURIES FROM HIGH CHAIRS ARE CAUSED BY FALLS.**
- **POSITION THE HIGH CHAIR AWAY FROM SOLID STRUCTURES AND BENCHES TO AVOID INJURIES CAUSED BY FALLS AND BY ACCES TO DANGEROUS ITEMS.**

- **Keep the high chair away from furniture, walls, hot surfaces and liquids, window covering cords, and electrical cords and position the high chair away from furniture when the chair is not being used at a table with a tray removed.**
- **In compliance of ASTM F404 for the US market and AS 4684 for the Australia market, the comfort nest shall be installed on the seat unit for highchair use with children between 6 months and 3 years.**
- **In highchair mode the seat unit shall always be adjusted to the vertical upright position.**

Footrest Assembly and Footrest Adjustment IMPORTANT!



- DO NOT use footrest as a step.
- Suitable for use up to 24 months.

- (#11 footrest) Slide in footrest until you hear an audible click. Check footrest is secured by pulling it downwards.
- To remove footrest, press button located on the end of the footrest attached to the seat unit, whilst sliding the footrest out of seat unit.
- The footrest has three height positions. Press the button on the back of the footrest, whilst sliding footrest up or down to your desired position. The footrest is locked into position when you hear an audible click. Check footrest is secured by pulling it downwards. (refer to illustration c1)

To install seat pad

- follow “To install seat pad & Safety Harness Assembly” in section B.
- Adjust the length of the harness straps until it fits firmly around your child.

To install Safety Bar, Seat Pad & Safety Harness Assembly

- (#10 safety bar) Insert the both end of the safety bar into the slot locate on both side of seat unit. You will hear an audible click. (refer to illustration c4)
- Insert the loop on the end of the crotch strap through the upper hole of the crotch strap cover at the end of crotch bar, and then put the loose end under the crotch strap cover. Then slide the crotch strap cover into the seat unit. The strap and buckle must not be twisted or inverted. This will ensure correct locking of the harness. (refer to illustration c5)
- To remove the safety bar, press and hold the button under the two side domes, and then press the side button on dome cap to disengage the lock. And then press the button on the crotch cover and remove from the seat unit. (refer to illustration c4)

WARNINGS:

To avoid safety bar broken - do not hang the safety bar freely with only the crotch bar attached on the chair

Mini Tray Assembly

- (#05 mini tray) Latch the hook located on the

bottom of the mini tray onto the safety bar whilst rotating the tray downwards.

- Lock the mini tray into position by pressing down on the left and right arm of the tray. You will hear an audible click. (refer to illustration c7)
- To remove the mini tray, reverse the order of assembly steps.
- The mini tray is dishwasher safe, and is made of FDA compliant food contact grade plastic.

Food Tray Assembly

- (#06 food tray) Squeeze the left and right trigger located under food tray simultaneously, whilst sliding the food tray onto the mini tray, then release triggers at your desired setting. You will hear an audible click. Check the food tray is locked in place by attempting to pull it free of the highchair. (refer to illustration c8)
- The food tray can be locked in two positions.
- To adjust the tray, pull the left and right side triggers located under the tray simultaneously whilst sliding the tray forwards or backwards. Release triggers at the desired setting. You will hear an audible click. Check the food tray is locked in place by attempting to pull it free of the highchair.
- To remove the food tray, reverse the order of assembly steps.
- The food tray is dishwasher safe, and is made of FDA compliant food contact grade plastic and stainless steel.

NOTE: Always check the tray is securely locked

in place by attempting to pull it free of the highchair.



WARNING:
The tray is not designed to hold the child in the chair.

Seat unit height and Seat unit recline

- To adjust seat height, disengage the swivel/height resistor. Lift both A & B trigger simultaneously, whilst pushing downwards or pulling upwards to desired height, then release the triggers.
 - In highchair mode the seat unit shall always be adjusted to the vertical upright position.
 - Adjust the seat unit to the vertical upright position by pulling the handle on the rear of the seat unit outward, then raise the seat upwards to the highest position, then release the handle. You will hear an audible click. Check the seat unit is locked in position by moving it. (refer to illustration c9)
- NOTE:** The seat unit can only be in most upright position with the play tray or food tray installed. (refer to illustration c10)

Section D: Comfort nest Installation

- (#09 safety harness, #08 nest pad) Put shoulder straps through the nest pad slits at the desired height setting.
- Put waist straps through the nest pad side slits.
- (#04 seat unit, #12 storage compartment)

Behind the nest pad, slide the buckle on the end of the shoulder straps into the buckle slots located on the inner face of seat unit. (refer to illustration d1)

- Thread the crotch strap through upper opening to the lower opening of the comfort nest. When removing the crotch strap from comfort nest, beware of the loose end of the strap to stick under the comfort nest. (refer to illustration d2)
- Behind the seat pad, pull open storage compartment door located on the inner face of seat unit. Slide the buckle on the end of the waist straps into the buckle slots on either side of the storage compartment. Check the straps are secured by pulling on the straps. (refer to illustration d4)
- Close the compartment door.
- (Without safety bar) put the loose end of the crotch strap under the crotch strap cover, and then into the buckle slots of the seat unit. Check the straps are secured by pulling on the straps. (refer to illustration d3)
- (With safety bar) Insert the loop on the end of the crotch strap through the upper hole of the crotch strap cover, and then put the loose end under the base of the crotch bar. Then slide the base of the crotch bar into the seat unit. The strap and buckle must not be twisted or inverted. This will ensure correct locking of the harness. (refer to illustration d5)
- Place the comfort nest into the seat unit, and then press in towards the backrest.
- Check the straps are secured by pulling on the straps.

- Adjust the length of the harness straps until it fits snugly around your child.

WARNING:

- **Always use the safety harness.**
- **The comfort nest must be used in conjunction with the mini tray**

Section E: Toddler Chair Mode **– suitable for 36 months to 36kg / 79lbs (refer to illustrations section e)**

Seat Pad Assembly

- (#12 storage compartment) Behind the seat pad, pull open storage compartment door located on the inner face of seat unit.
- (#13 Bar attachment caps, #14 crotch cover) From storage compartment, take out the two bar attachment caps and the crotch strap cover. Close the compartment door.
- (#07 seat pad) Place seat pad onto the seat unit; secure onto velcro. (refer to illustration e1)
- Snap the Bar attachment caps on either side of the seat unit; you will hear an audible click.
- Slide the crotch strap cover into the seat unit. (refer to illustration e2)

Seat Unit Height

To adjust seat height, disengage the swivel/ height resistor. Lift both A & B trigger simultaneously, whilst pushing downwards or pulling upwards to desired height, then release the triggers. (refer to illustration e3)

WARNING:

- In toddler chair mode the seat unit shall always be adjusted to the vertical upright position.
- Footrest shall be removed for toddler chair mode.

Care & Maintenance

Removing the baby chair seat pad/nest pad

1. Remove the shoulder and waist straps from the seat unit. Pull the straps through the seat slits until they are free of the seat pad/nest pad.
2. Remove the baby chair seat pad/ nest seat pad.
3. To remove the entire safety harness, free crotch strap by sliding the crotch bar base out of the seat unit.

The seat pad/nest pad and baby chair frame can now be cleaned following the instructions on the care label of seat pad.

WARNING:

Using an effective disinfectant, for examples cleaners with alcohol or chlorine content, may cause bleaching and discoloration, it is recommended to use cleaners specifically designed for colored fabrics to spot clean the fresco seat pad.

Note:

- Exposed edges of seat pad /nest pad are often the first to wear and fray. Remember this when storing or transporting your baby chair.

- Light soiling of seat pad / nest pad can be removed with a damp sponge and a mild detergent. Hang dry. Do not tumble dry.
- Both mini tray and food tray is dishwasher safe.
- clean the plastic parts of the highchair with a damp cloth; do not use abrasives or bleach.
- Do not expose the baby chair to direct sunlight for prolonged periods of time.

Check List

- Regularly check that the safety harness is correctly fitted and that the webbing has not become frayed or damaged. If the harness is damaged, we recommend that a new one is fitted. For more information contact us by email at service@bloombaby.com.
- Regularly check that all locking devices are clean and functioning properly.

After Sales Service

When you receive your bloom product, if you need assistance, spare parts or if you are unsatisfied with any aspect of the goods please contact bloom by email at service@bloombaby.com. Our trained advisors will be able to help. You can also visit our website at bloombaby.com for the latest product information.

Your feedback and input enables bloom to continue to make improvements. Please send your comments regarding this product to service@bloombaby.com.

Merci d'avoir choisi la *fresco*™ pour votre chaise bébé – La *fresco*™ est la nouvelle génération de chaise bloom

**IMPORTANT !
A CONSERVER POUR
CONSULTATION
FUTURE: ALIRE
ATTENTIVEMENT
AVANT ASSEMBLAGE
ET UTILISATION DU
PRODUIT.**

Bien retirer tous les emballages avant utilisation.

Recommandation d'âge

Recommandé pour une utilisation de la naissance jusqu'à 36kg / 79lbs.

Informations Produits

Cette chaise a été développée et testée pour satisfaire aux normes de sécurité les plus exigeantes.

Cette chaise offre de multiples configurations d'utilisation de la naissance jusqu'à 36kg:

- mode transat: de la naissance à 6 mois.
- chaise haute: à partir de 6 mois.
- mode fauteuil: de 36 mois jusqu'à 36kg.

Modèle No.: 10515

Liste des pièces

- #01 vérin
- #02 cache vérin
- #03 base
- #04 siège
- #05 plateau jeu
- #06 plateau repas
- #07 assise de chaise (Vendu séparément)
- #08 assise de rehausseur (Vendu séparément)
- #09 harnais de sécurité (Vendu séparément)
- #10 arceau de sécurité
- #11 repose pieds
- #12 compartiment rangement
- #13 caches latéraux
- #14 cache d'entrejambe
- #15 rehausseur

MODELE DEPOSE

Couleur et contenu non contractuels

Instructions pour une utilisation sûre – A lire attentivement et à conserver pour consultation future

Une utilisation et un entretien appropriés de votre chaise vous permettront d'en faire un usage prolongé. Si une nouvelle personne manipule la chaise, assurez-vous qu'elle sache s'en servir, comment la régler ainsi que les principales précautions de sécurité. La sécurité de votre enfant est de votre responsabilité.

REMARQUE: Montage à effectuer par un adulte

IMPORTANT!

Tenir éloigné de la lumière naturelle – Une exposition prolongée aux rayons du soleil pourrait faner les couleurs et accélérer son vieillissement.

Partie A: Assemblage rapide (Voir illustrations partie a)

Frein (rotation/réglage hauteur)

IMPORTANT !

Le frein a été développé pour empêcher le siège de tourner librement. La force d'un adulte est cependant suffisante pour faire pivoter le siège.

Mettre le frein

Fermer le levier métallique en le serrant contre le pieds de la chaise. Faire tourner le siege doit alors etre plus difficile.

Libérer le frein

Tirer complètement vers l'extérieur la languette. Vérifiez que le frein est défectueux en faisant tourner le siège.

(#01 vérin, #02 cache vérin) Insérer le vérin complètement dans le cache vérin (assurez-vous que le frein est désengagé). Mettre le frein (voir illustration a1)

Montage du siège et de la base

(#01 vérin, #03 base, #02 cache vérin) insérez le vérin dans la base en alignant le marquage "cadenas ouvert" avec l'indication figurant sur la base. Tournez le vérin sur la position « cadenas fermé ». Vous entendrez un clic. Vérifiez que le vérin est fermement fixé en tirant vers le haut. Pressez le bouton en haut du vérin pour le faire monter.

Pour le retirer, pressez le bouton sur le côté du vérin et faites-le pivoter sur la position "cadenas ouvert". Tirez vers le haut.

(# 4siège) insérez l'unité de siège sur le vérin et verrouillez-le la fixation bouchon dans le sens antihoraire. Vérifiez que le siège est bien fixé en tirant vers le haut. (voir illustrations a2)

Réglage de la hauteur et rotation

Pour faire pivoter le siège, désengagez le frein et faites ensuite tourner le siège dans la position choisie.

Pour régler la hauteur, désengager le frein.

Pressez simultanément les gâchettes A & B, puis enfoncez le siège vers le bas ou laissez-le remonter jusqu'à la position choisie ; relâchez ensuite les gâchettes. (voir illustrations a3)

IMPORTANT !

Vérifiez bien que le siège est bien inséré sur le vérin avant utilisation. Vérifiez que le siège est correctement monté en testant la fonction de réglage de la hauteur, en suivant les instructions du manuel d'utilisation. Si vous n'arrivez pas à faire monter ou descendre le siège, recommencez l'installation du siège sur le vérin et pressez bien le siège sur le vérin pour bien engager les mécanismes de réglage de la hauteur.

Roulettes

Pour déplacer la chaise sur le sol, alignez d'abord le devant du siège avec le logo bloom sur la base, puis engagez le frein. Basculez légèrement la chaise vers l'avant en la prenant par la poignée située au dos du siège, et faites la rouler grâce aux roulettes cachées sous l'avant de la base. (voir illustrations a4)

AVERTISSEMENTS:

- **Poursuivez le montage de votre chaise bébé suivant la configuration adaptée à votre enfant. Suivez attentivement les instructions correspondantes.**
- **La sécurité de votre enfant est de votre responsabilité.**

AVERTISSEMENTS:

- Faites attention aux risques de blessures graves ou mortelles en cas de chute.
- Attachez toujours votre enfant dans son siège.
- Ne jamais laisser votre enfant sans surveillance.

Partie B: Configuration transat – De la naissance jusqu'à 6 mois (voir illustrations partie b)

AVERTISSEMENTS:

- Ne pas utiliser le transat dès lors que l'enfant peut se tenir assis tout seul
- La configuration transat est adaptée aux enfants pesant jusqu'à 9 kg / 20 lbs.
- Ne jamais laisser l'enfant sans surveillance lorsque la chaise est en configuration transat.
- L'enfant doit toujours être maintenu dans sa chaise en position transat à l'aide du harnais de sécurité à cinq points d'attache, installé en mode transat incliné.
- Il est dangereux de poser le transat sur une surface en hauteur comme une table par exemple.
- Gardez la chaise haute éloignée de tout feu, chauffage ou autre sources de forte chaleur.
- N'utilisez ce produit que si tous les éléments sont correctement placés et ajustés.
- Assurez vous que le harnais soit correctement ajusté avant toute utilisation.
- Ce transat n'est pas prévu pour de longues périodes de sommeil.

- Il est dangereux de poser la chaise sur une surface en hauteur.
- Ce transat ne remplace pas un couffin ou un lit. Lorsque l'enfant a besoin de dormir, il convient de le placer dans un couffin ou un lit approprié
- Ne pas utiliser le transat si des composants sont cassés ou manquants
- Ne pas utiliser d'accessoires ou pièces de rechange autres que ceux approuvés par le fabricant
- Utilisez toujours le harnais de sécurité.

Installation de l'assise et du harnais de sécurité

- (#07 assise, #09 harnais de sécurité) Passez les sangles d'épaule du harnais à travers les orifices les plus bas situés sur l'assise.
- Passez les sangles latérales à travers les orifices situés sur l'assise prévus à cet effet.
- Placez l'assise sur le siège, fermement fixée à l'aide des velcros. (voir illustration b1)
- (#04 siège) Derrière l'assise, faites glisser les embouts des sangles d'épaules dans les emplacements situés à cet effet sur la face interne du siège. (voir illustrations b2) Assurez-vous que les sangles sont bien fixées en tirant dessus.
- (#12 compartiment de rangement) Derrière l'assise, ouvrez le compartiment situé sur la face interne du siège. Passez les embouts des sangles latérales du harnais dans les orifices situés de chaque côté du compartiment. Assurez-vous que les sangles sont bien fixées en tirant dessus.

- (#13 caches latéraux, #14 cache entrejambe)
Prenez les deux caches latéraux et le cache d'entrejambe à l'intérieur du compartiment de rangement. Refermez le compartiment.
- Insérez les caches latéraux de chaque côté du siège ; vous entendrez un clic.
- Passez l'extrémité de la sangle du harnais d'entrejambe à travers le trou situé sur le dessus du cache d'entrejambe, jusqu'à ce que l'extrémité de la sangle soit dessous le cache. Faites glisser le cache d'entrejambe dans le siège. La sangle ou la boucle de harnais ne doivent pas être tordues ou à l'envers afin d'éviter un mauvais verrouillage du harnais (voir illustration b4)
- Pour retirer les caches latéraux, maintenez pressés les boutons situés sous les deux embouts latéraux du siège et appuyez sur les enjoliveurs latéraux. Retirez ensuite les caches latéraux (voir illustration b3)

AVERTISSEMENT:

Utilisez toujours le harnais de sécurité.

Pour retirer l'assise et le harnais de sécurité pour les nettoyer, suivez les instructions données dans la partie soin et entretien de ce guide d'utilisation.

Utilisation et réglage du harnais de sécurité

- Pour fermer le harnais, pressez les extrémités des sangles latérales (elles-mêmes reliées aux sangles d'épaules), dans la boucle de harnais située sur la sangle d'entrejambe.
- Pour ouvrir le harnais, pressez le centre de la boucle de harnais (voir illustration b5)

- Réglez la longueur des sangles du harnais pour qu'elles soient ajustées à l'enfant.

REMARQUE: Chaque fois que vous installez votre enfant dans la chaise ou que vous modifiez la position du siège, vérifiez toujours que le harnais soit toujours ajusté. Resserrez les sangles si nécessaire.

Hauteur du siège / inclinaison

Pour régler la hauteur, désengager le frein. Pressez simultanément les gâchettes A & B, puis enfoncez le siège vers le bas ou laissez-le remonter jusqu'à la position choisie; relâchez ensuite les gâchettes.

Pour mettre le siège en position transat, tirez sur la poignée située au dos du siège, inclinez le siège dans la position la plus allongée, ou bien position intermédiaire, puis relâchez la poignée. Vous entendrez un clic. Assurez-vous que la position est bien enclenchée en bougeant le siège. L'utilisation de la position la plus inclinée, ou bien intermédiaire, est à utiliser pour les enfants de la naissance jusqu'à environ 6 mois, c'est-à-dire jusqu'à ce qu'ils soient capables de se tenir assis seul. (voir illustrations b6)

AVERTISSEMENTS:

Si l'enfant n'est pas capable de se tenir assis seul, utilisez toujours, et uniquement, le mode transat de cette chaise, siège dans la position la plus allongée ou bien intermédiaire. Utilisez toujours le harnais de sécurité.

Assurez-vous que votre enfant ne touche à rien lorsque vous faites des réglages de la chaise.

Partie C: Configuration chaise haute – utilisation de 6 à 36 mois (voir illustrations partie c)

⚠️ AVERTISSEMENTS:

- LA SECURITE DE VOTRE ENFANT EST DE VOTRE RESPONSABILITE.
- NE JAMAIS LAISSER UN ENFANT SANS SURVEILLANCE.
- NE PAS UTILISER LA CHAISE HAUTE AVANT QUE L'ENFANT NE SOIT EN MESURE DE POUVOIR S'ASSEOIR SEUL.
- NE PAS UTILISER CE PRODUIT SI UNE PARTIE EST MANQUANTE, CASSEE OU ENDOMMAGEE.
- La configuration chaise haute est destinée aux enfants d'environ 6 mois (il doit être capable de s'asseoir seul) jusqu'à 36 mois uniquement. Utilisez toujours le harnais de sécurité.
- L'enfant doit toujours être maintenu dans sa chaise en permanence à l'aide du harnais de sécurité.
- Ne pas placer le produit à proximité d'une cheminée ou de toute source de chaleur importante pour éviter les risques de brûlure.
- Ne pas utiliser le produit tant que tous les éléments ne sont pas correctement ajustés et réglés.
- Risque de chute: empêcher l'enfant de grimper sur le produit.
- Risque de basculement si l'enfant a la possibilité d'appuyer ses pieds contre une table ou tout autre élément.
- Toujours utiliser le harnais.
- Assurez-vous que le harnais est parfaitement ajusté avant toute utilisation.
- Vérifiez que la chaise soit toujours sur une surface plane avant utilisation.
- Assurez-vous que votre enfant ne touche à rien lorsque vous faites des réglages de la chaise.
- Vérifiez régulièrement l'état de votre chaise et que le harnais est en bon état et fonctionne parfaitement. Aucune lubrification n'est nécessaire.
- Vérifiez toujours que le plateau soit parfaitement enclenché en essayant de tirer dessus.
- **IMPORTANT:** Chaque fois que vous mettez l'enfant dans la chaise ou que vous modifiez la position du siège, vérifiez bien que le harnais est correctement ajusté. Retendre les sangles du harnais si nécessaire.
- En configuration chaise haute, utilisez le siège en position verticale.

Montage et réglage du repose pieds

IMPORTANT!



- NE PAS utiliser le repose pieds comme support pour monter sur la chaise.
- Utiliser le repose pieds jusqu'à 2 ans maximum.

- (#11 repose pieds) Insérez le repose pieds sous le siège dans la glissière jusqu'à entendre un clic. Vérifiez qu'il est bien en place en tirant dessus.
- Pour retirer le repose pieds, pressez le bouton situé à la base du repose pieds et faites glisser le repose pieds vers l'arrière du siège.
- Le repose pieds est réglable sur 3 hauteurs. Pressez le bouton à l'arrière du repose pieds et faites-le glisser dans la position choisie. Le repose pieds est verrouillé dans la position choisie quand vous aurez entendu un clic. Vérifiez qu'il est bien fixé en tirant dessus. (voir illustration c1)

Installation de l'assise

- Voir la section « installation de l'assise et du harnais de sécurité » en partie B.
- Réglez la longueur des sangles du harnais de façon à ce qu'elles soient ajustées à l'enfant.

Installation de l'arceau de sécurité, de l'assise et du harnais de sécurité

- (#10 arceau de sécurité) Insérez les deux extrémités latérales de l'arceau dans chacun des orifices situés sur les côtés du siège. Vous entendrez un clic. (voir illustration c4)
- Passez l'extrémité de la sangle du harnais d'entrejambe à travers le trou situé à l'extrémité de la barre verticale de l'arceau de sécurité, jusqu'à ce que l'extrémité de la sangle soit dessous le cache. Faites glisser le cache d'entrejambe dans le siège. La sangle ou la boucle de harnais ne doivent pas être tordues ou à l'envers afin d'éviter un mauvais

verrouillage du harnais. (voir illustration c5)

- Pour retirer l'arceau de sécurité, maintenez pressés les boutons situés sous les deux embouts latéraux du siège et appuyez sur les enjiveurs latéraux. Retirez ensuite l'arceau en le tirant vers l'avant. (voir illustration c4)

AVERTISSEMENTS:

Pour éviter de casser la barre de sécurité, ne pas accrocher la barre de sécurité librement avec seulement la barre d'entrejambe attachée sur la chaise.

Installation du plateau jeu

- (#05 plateau jeu) Crochetez l'arceau de sécurité avec l'avant du plateau puis basculez-le vers le bas.
- Verrouillez le plateau sur l'arceau en pressant bien les extrémités gauche et droite du plateau. Vous entendrez un clic. (voir illustration c7)
- Pour retirer le plateau jeu, procédez aux mêmes étapes dans le sens inverse.
- Le plateau jeu est lavable au lave-vaisselle et est fabriqué en plastique certifié « contact alimentaire ».

Installation du plateau repas

- (#06 plateau repas) Pressez simultanément les gâchettes situées de part et d'autre sous le plateau et faites-le glisser sur le plateau jeu. Relâchez ensuite les gâchettes une fois la position choisie. Vous entendrez un clic. Vérifiez que le plateau est bien installé en tirant dessus. (voir illustration c8)

- Le plateau repas peut être installé sur 2 positions au choix.
- Pour régler le plateau, pressez simultanément les gâchettes situées de part et d'autre sous le plateau et faites-le glisser sur le plateau jeu. Relâchez ensuite les gâchettes une fois la position choisie. Vous entendrez un clic. Vérifiez que le plateau est bien installé en tirant dessus. (voir illustration c8)
- Pour retirer le plateau, procédez aux mêmes étapes dans le sens inverse.
- Le plateau jeu est lavable au lave-vaisselle et est fabriqué en plastique certifié « contact alimentaire » et en acier inoxydable.

REMARQUE: Vérifiez toujours que le plateau est bien fixé en essayant de le retirer en tirant dessus.

AVERTISSEMENT:

Le plateau n'est pas conçu pour maintenir l'enfant dans la chaise.

Inclinaison et réglage de hauteur du siège

- Pour régler la hauteur du siège, désengager le frein. Pressez simultanément les gâchettes A & B, puis enfoncez le siège vers le bas ou laissez-le remonter jusqu'à la position choisie; relâchez ensuite les gâchettes.
- En configuration chaise haute, utilisez le siège en position verticale.
- Pour mettre le siège en position verticale, tirez sur la poignée située au dos du siège, basculez le siège dans la position la plus droite puis relâchez la poignée. Vous

entendrez un clic. Assurez-vous que la position est bien enclenchée en bougeant le siège. (voir illustration c9)

REMARQUE: Le siège ne peut être dans la position verticale la plus droite qu'avec le plateau jeu ou le plateau repas installés. (voir illustration c10)

Partie D: Installation du rehausseur

- (#09 harnais de sécurité, #08 rehausseur) Passez les sangles d'épaules du harnais à travers les orifices du rehausseur à la hauteur désirée.
- Passez les sangles ventrales latérales à travers les orifices du rehausseur prévus à cet effet.
- (#04 siège, #12 compartiment de rangement) Derrière le rehausseur, glissez les boucles des extrémités des sangles d'épaules du harnais dans les orifices situés sur la face interne du siège. (voir illustration d1)
- Enfilez la sangle d'entrejambe à travers l'orifice situé devant le rehausseur. (voir illustration d2)
- Derrière l'assise, ouvrez le compartiment situé sur la face interne du siège. Passez les embouts des sangles latérales du harnais dans les orifices situés de chaque côté du compartiment. Assurez-vous que les sangles sont bien fixées en tirant dessus. (voir illustration d4)
- Refermez le compartiment.
- (sans arceau de sécurité) Passez l'extrémité de la sangle du harnais d'entrejambe sous

le cache d'entrejambe et insérez l'ensemble dans le siège. Assurez-vous que les sangles sont bien fixées en tirant dessus. (voir illustration d3)

- (avec arceau de sécurité) Passez l'extrémité de la sangle du harnais d'entrejambe à travers le trou situé à l'extrémité de la barre verticale de l'arceau de sécurité, jusqu'à ce que l'extrémité de la sangle soit dessous le cache. Faites glisser le cache d'entrejambe dans le siège. La sangle ou la boucle de harnais ne doivent pas être tordues ou à l'envers afin d'éviter un mauvais verrouillage du harnais. (voir illustration d5)
- Placez le rehausseur sur le siège et poussez-le fermement contre le dossier.
- Assurez-vous que les sangles sont bien fixées en tirant dessus.
- Réglez la longueur des bretelles du harnais de façon à ce qu'elles soient ajustées à l'enfant.

AVERTISSEMENT:

- **Utilisez toujours le harnais de sécurité.**
- **e rehausseur doit être utilisé avec le plateau de jeu**

Partie E: Configuration fauteuil **– destinée aux enfants de 36 mois jusqu'à 36Kgs (voir illustration partie e)**

Installation de l'assise

- (#12 compartiment rangement) Derrière l'assise, ouvrez le compartiment de

rangement situé sur la face interne du dossier du siège.

- (#13 caches latéraux, #14 cache d'entrejambe) Prenez les caches latéraux et le cache d'entrejambe. Refermez le compartiment.
- (#07 assise) Placez l'assise sur le siège; fixez-la avec les velcro. (voir illustration e1)
- Insérez les caches latéraux sur chacun des côtés du siège; vous entendrez un clic.
- Glissez le cache d'entrejambe dans le siège. (voir illustration e2)

AVERTISSEMENT:

- **En mode chaise enfant, l'unité de siège doit toujours être ajustée en position verticale.**
- **Le repose pied doit être retiré pour utiliser la chaise en mode enfant.**

Règlage de la hauteur du siège

Pour régler la hauteur du siège, désengager le frein. Pressez simultanément les gâchettes A & B, puis enfoncez le siège vers le bas ou laissez-le remonter jusqu'à la position choisie; relâchez ensuite les gâchettes. (voir illustration e3)

Soin et entretien

Retirer l'assise de chaise/de rehausseur

1. Retirez les sangles d'épaules et latérales du siège. Retirez les sangles de l'assise de chaise/de rehausseur.
2. Retirez l'assise de chaise/de rehausseur
3. Pour retirer complètement le harnais, glissez vers l'extérieur le cache d'entrejambe du siège pour libérer la sangle d'entrejambe.

L'assise de chaise/de rehausseur peut à présent être nettoyée en suivant les instructions indiquées sur l'étiquette de l'assise.



AVERTISSEMENT:

L'utilisation d'un désinfectant puissant par exemple à base d'alcool ou de chlore peut provoquer une décoloration. Il est conseillé d'utiliser un nettoyant approprié, spécialement conçu pour retirer les taches sur les tissus couleurs.

Remarque:

- Les angles exposés de l'assise de chaise/de rehausseur sont les plus sensibles à l'usure. Prêtez-y une attention plus particulière lors du transport ou du rangement.
- Les taches légères sur l'assise de chaise / de rehausseur, peuvent être retirées à l'aide d'une éponge humide et d'un détergent doux. Laissez ensuite sécher. Ne pas sécher en machine.
- Le plateau jeu et le plateau repas sont lavables au lave-vaisselle.
- Nettoyez les parties plastiques de la chaise à l'aide d'une éponge humide. Ne pas utiliser d'eau de javel ou autre produit abrasif.
- Ne pas exposer la chaise aux rayons directs du soleil durant une période prolongée.

Vérifications

- Vérifiez régulièrement l'état du harnais de sécurité et que les sangles ne soient pas effilochées ou endommagées. Si votre harnais est abimé, nous vous recommandons de le changer. Pour plus d'information, veuillez nous contacter par e-mail à service@bloombaby.com.
- Vérifiez régulièrement que tous les mécanismes de verrouillage sont propres et fonctionnent correctement.

Service après-vente

Lorsque vous recevez un produit bloom, si vous avez besoin d'assistance, de pièces détachées ou si vous n'êtes pas satisfaits de quelque aspect du produit que ce soit, contactez bloom par e-mail à service@bloombaby.com. Nos conseillers sauront vous aider. Vous pouvez également vous rendre sur notre site internet bloombaby.com pour connaître les dernières informations produits.

Vos remarques et commentaires permettent à bloom d'améliorer continuellement ses produits. Faites-nous part de vos commentaires sur ce produit à service@bloombaby.com.

Gracias por haber elegido la silla *fresco* – la silla *fresco* es la próxima generación en las sillas contemporáneas de bloom.

**¡IMPORTANTE!
GUARDE ESTAS
INSTRUCCIONES
PARA FUTURAS
REFERENCIAS**

Remover el empaque antes de usar.

Edad recomendada

Es recomendable desde recién nacido hasta los
36kg / 79lbs.

Información del producto

Esta silla ha sido diseñada y probada para cumplir con los más recientes y relevantes estándares de seguridad.

Esta silla alta esta diseñada con múltiples configuraciones de uso para bebés y niños desde recién nacido hasta 36kg / 79lbs.

- modo de cuna: de 0 a 6 meses
- modo silla alta: de 6 a 36 meses
- modo de silla para niño: de 36 meses a 36kg / 79lbs

Modelo No.: 10515

Lista de partes

- #01 Pivote
- #02 Protector del pivote
- #03 Base
- #04 Unidad de asiento
- #05 Mini bandeja
- #06 Bandeja de alimentos
- #07 Funda/asiento (Vendido por separado)
- #08 Funda/ asiento reductor
(Vendido por separado)
- #09 Arnés de seguridad (Vendido por separado)
- #10 Barra de seguridad
- #11 Descansa pies
- #12 Compartimento
- #13 Protectores para la barra de seguridad
- #14 Cobertura del soporte central
- #15 Asiento reductor

PATENTES EN PROCESO

El color y contenido puede variar

Instrucciones para el uso seguro – Favor de leerlas con cuidado y guardarlas para futuras referencias.

Una utilización correcta y un mantenimiento apropiado de este producto le permitirá usarlo durante mucho tiempo. Si otra persona, que no sea usted, utiliza este producto asegúrese que conoce su funcionamiento y las precauciones de seguridad correspondientes. La seguridad de su bebé esta bajo su responsabilidad.

Nota: La silla requiere ser armada por un adulto.

¡IMPORTANTE!

No exponga la silla directamente a la luz del sol – una exposición prolongada puede afectar el color y acelerar el proceso de envejecimiento.

Sección A: Armado básico (refiérase a la sección a de las ilustraciones)

Giro/Controlador de altura

¡IMPORTANTE!

El seguro de resistencia al giro esta diseñado para evitar el giro libre o inadvertido. El giro puede ser posible aplicándole fuerza un adulto.

Para activarlo

Presione la palanca de metal hacia adentro hasta que quede fijo en su compartimento. Verifique que esta activado haciendo girar el asiento.

Para desactivarlo

Tire la palanca metálica del seguro hacia afuera completamente. Verifique que esté desactivado haciendo girar el asiento.

(#01 pivote, #02 protección del pivote) Inserte el pivote completamente adentro del protector (asegúrese que el control de altura este desactivado). Active el controlador de altura. (ver ilustración a1)

Ensamblado de la base y asiento

(#01 pivote, #03 base, #02 protección del pivote) Inserte el pivote neumático en la base alineando el ícono "unlock" con la línea marcada en la base. Gire hasta lograr el punto de seguro. Usted escuchará un clic. En posición asegurada, la línea marcada deberá apuntar al ícono "lock". Revise que el pivote neumático este asegurado levantando la estructura. Presione el botón del pivote para levantarlo.

Para desensamblar, levante el botón lateral del pivote al mismo tiempo que gira para alinear el ícono "unlock" con la línea marcada. Jale para remover.

(#04 unidad de asiento) inserte el asiento en el pivote y apriete el casquillo de fijación en sentido contrario a las agujas del reloj. Verifique que el asiento este firmemente insertado empujando el asiento hacia arriba. (ver ilustración a2)

Giro y controlador de altura

Para girar la silla, desactive el seguro para giro y altura y rote la silla a la posición deseada.

Para ajustar la altura de la silla, desactive el seguro para giro y altura. Levante las palancas A & B al mismo tiempo mientras empuja el asiento hacia arriba o hacia abajo a la altura deseada y suelte las palancas. (ver ilustración a3)

¡IMPORTANTE!

Asegúrese que el asiento este firmemente insertado en el pivote central. Verifique que el asiento este armado correctamente probando el ajuste de altura de acuerdo al manual de usuario. Si el ajuste de altura no funcionara significa que el asiento no esta correctamente armado; por favor intente de nuevo presionando firmemente el asiento hacia abajo para que los mecanismos que administran la altura se activen.

Levante y desplace – Ruedas de fácil desplazamiento

Para mover la silla alta sobre el piso, primero gire el asiento para que oriente al frente. Empuje la silla al frente levantando la manija ubicada detrás del asiento y desplace la silla sobre el piso usando las ruedas ubicadas en la base de la silla.

ADVERTENCIA:

- Continúe armando la silla alta de acuerdo a la configuración apropiada para su niño. Siga las instrucciones correspondientes.
- La seguridad de su niño es su responsabilidad.

ADVERTENCIA:

- Prevenga accidentes o muerte por caídas o deslizamientos.
- Siempre asegure a su hijo.
- Nunca deje al niño desatendido.

Sección B: Modo Cuna

– Apropiado de 0 a 6 meses (refiérase a las ilustraciones en la sección b)

ADVERTENCIA:

- No utilice el modo cuna una vez que el niño pueda sentarse sin ayuda.
- El modo cuna está pensado para bebés con un peso máximo de 9 kg / 20 lbs.
- Nunca deje al niño sin supervisión durante el uso de la silla en modo cuna.
- Sujete al niño en todo momento a la silla utilizando el arnés de 5 puntos de sujeción cuando se utilice la trona en posición reclinada.
- Es peligroso colocar la cuna sobre una superficie elevada (sobre una mesa, por ejemplo).
- Mantenga la silla alejada del fuego, de calefactores y de otras fuentes de calor a altas temperaturas.
- No utilice la silla hasta que todos los componentes estén correctamente montados y ajustados.
- Asegúrese de que el arnés está correctamente montado antes de proceder a su uso.

- El modo cuna no está pensado para periodos prolongados de sueño.
- Es peligroso colocar la silla de bebé sobre una superficie elevada.
- El modo cuna no debe utilizarse como sustituto de una cuna o cama. Cuando su hijo necesite dormir, acuéstelo en una cuna o cama adecuadas.
- No utilice accesorios o piezas de repuesto que no hayan sido aprobados por el fabricante.
- No utilice el modo de cuna en caso de pérdida o ruptura de alguno de los componentes.
- Utilice siempre el sistema de sujeción.

Montaje de la funda del asiento y el arnés de Seguridad

- (#07 funda de asiento, #09 arnés de seguridad) Ponga los tirantes de los hombros a través de las aberturas de la funda del asiento a la altura más baja.
- Ponga el tirante de la cintura a través de las aberturas del cubre asiento.
- Ponga la funda del asiento en el asiento y asegúrela con el Velcro (ver ilustración b1)
- (#4 Unidad de asiento) Deslice las hebillas de los tirantes en las hebillas que se encuentra ubicadas en la cara interior del asiento. (ver ilustración b2) Revise que los tirantes estén bien ajustados tirando de ellos.
- (#12 compartimiento) Abra la puerta del compartimiento de guardado ubicado en la parte interna del asiento, detrás de la funda del asiento. Deslice la hebilla que está al final

de los tirantes de la cintura en las ranuras a cada uno de los lados del compartimiento. Verifique que los tirantes están bien ajustados, tirando de ellos.

- (#13 Protectores para la barra de seguridad, #14 Cobertura del soporte central) Del compartimiento de accesorios saque los protectores para la barra de seguridad y la pieza que cubre el tirante del medio. Cierre el compartimiento.
- Ponga los dos protectores a cada lado de la silla alta. Escuchará un clic.
- Ponga la hebilla que está al final del tirante de la entrepierna debajo de la pieza que cubre la perforación que está en el medio del asiento. Cuide que la hebilla y el tirante no estén invertidos. Esto asegura que el arnés quede bien asegurado. (ver ilustración b4)
- Para remover los protectores de la barra de seguridad, apriete y mantenga los botones debajo de las cúpulas laterales y luego apriete el botón de costado para destrabarlo. Luego apriete el botón del cobertor para retirarlo del asiento (ver ilustración b3)

ADVERTENCIA:

Siempre utilice el arnés de seguridad.

Para remover el cubre asiento y el arnés de seguridad para limpieza, siga las instrucciones en la sección de cuidado y mantenimiento de este instructivo.

Ajuste del arnés de seguridad

- Asegure el arnés empujando las lenguas al final de los tirantes de la cintura, conectados con el final de los tirantes, dentro de la hebilla en el tirante del medio.
- Para desactivar el arnés apriete el botón central (ver ilustración b5)
- Ajuste los tirantes del arnés hasta que su niño quede seguro.

NOTA: Cada vez que ponga a su niño en la silla alta o cada vez que altere la posición del asiento, siempre verifique que el arnés este correctamente puesto y ajustado utilizando los tirantes de hombro y cintura. Presione el arnés hasta que acomode bien en su niño.

Altura e Inclinación de la silla

Para ajustar la altura de la silla, desactive el seguro para giro y altura. Levante las palancas A & B al mismo tiempo mientras empuja el asiento hacia arriba o hacia abajo a la altura deseada y suelte las palancas.

Para reclinar el asiento presione la manivela en la parte trasera del asiento y recline a la posición más baja o intermedia y luego suelte la manivela. Aquí escuchará un clic. Verifique que el asiento este asegurado en esa posición moviéndolo. Asegúrese que el asiento este reclinado en la posición más baja o intermedia para niños recién nacidos hasta 6 meses de edad, hasta que puedan sentarse firme sin ayuda. (ver ilustración b6)

ADVERTENCIA:

Niños que no puedan sentarse firme sin ayuda, únicamente podrán usar el modo de cuna de esta trona. El asiento se deberá reclinar a la posición más baja o intermedia y a la altura de la trona mas baja. Siempre utilice el arnés de seguridad. Asegure que el niño este libre de partes movibles antes de hacer cualquier ajuste.

Sección C: Modo de silla alta – Para 6 a 36 meses (refiérase a las ilustraciones en la sección c)

ADVERTENCIA:

- ADVERTENCIA: LA SEGURIDAD DE SU NIÑO ES SU RESPONSABILIDAD.
- NO DEJAR NUNCA AL NIÑO DESATENDIDO.
- UTILICE LA SILLA ALTA SÓLO MIENTRAS SU NIÑO PUEDA SENTARSE SIN AYUDA.
- NO UTILICE LA SILLA SI ALGUNA PIEZA ESTA QUEBRADA, DOBLADA O PERDIDA.
- El modo de silla alta esta designado para niños de aproximadamente 6 meses (debe sentarse sin ayuda) a 36 meses. Siempre utilice el arnés de seguridad.
- El niño debe estar seguro en todo momento por el arnés de seguridad de 5 puntos.
- Existe un riesgo al situar el producto cerca del fuego o de otras fuentes importantes de calor.
- Utilice el producto únicamente cuando todos sus componentes estén

- correctamente fijados y ajustados.
- Riesgo de caída: Evite que el niño trepe por el producto.
- Existe riesgo de vuelco si el niño apoya los pies en una mesa o cualquier otra estructura.
- Utilice siempre el sistema de sujeción.
- Asegúrese de que el arnés esta correctamente instalado.
- Siempre asegúrese que la silla este en una superficie estable y plana antes de usarse.
- Siempre asegúrese que su hijo este alejado de las partes movibles de la silla antes de hacer.
- Cualquier ajuste.
- Revise la silla alta regularmente asegurándose que no presente daños y que el arnés esté seguro y trabaja correctamente. No necesita lubricarse.
- Siempre verifique que la bandeja esta asegurada en su lugar tratando de sacarla de su lugar.
- IMPORTANTE:
Cada vez que ponga a su niño en la silla alta o cada vez que modifique la posición del asiento, siempre verifique que el arnés este correctamente puesto y ajustado utilizando los tirantes de hombro y cintura. Presione el arnés hasta que acomode bien en su niño.
- El asiento en el modo de silla de niño debe ser ajustado en la posición vertical

Instalación del descansa-pies/Ajuste del descansa-pies
¡IMPORTANTE!



- NO usar el reposapiés como peldaño para aguantar el peso del cuerpo.
 - Usar el reposapiés sólo para niños de hasta 24 meses.
- (#11 descansa pies) Deslice el descansa-pies hasta que escuche un clic. Verifique que el descansa-pies esté instalado correctamente jalándolo hacia abajo.
 - Para quitar el descansa-pies, presione el botón ubicado al final del descansa-pies mientras desliza el descansa-pie hacia fuera del asiento.
 - El descansa-pies tiene tres posiciones de altura. Presione el botón detrás del descansa-pies mientras lo desliza arriba o abajo a posición deseada. El descansa-pies es asegurado en su posición cuando escucha un clic. Verifique que el descansa-pies este instalado correctamente jalándolo hacia abajo. (ver ilustración c1)

Montaje de la funda del asiento

- lea “Montaje de la funda de asiento y arnés de seguridad” en la sección B.
- Ajuste el arnés de seguridad hasta que su hijo este seguro.

Montaje de la barra de seguridad, del cubre asiento y el arnés de Seguridad

- (#10 barra de seguridad) Inserte los dos extremos de la barra de seguridad en los espacios a ambos lados del asiento. Usted escuchará un click. (ver ilustración c4)
- Inserte la lazada que se encuentra al final del tirante de la entrepierna en el agujero superior de la hebilla que se encuentra al final de la barra de seguridad, ponga el

extremo suelto debajo de la hebilla (cobertor central) y deslícela en el asiento. El tirante y la hebilla no deben estar invertidos o doblados. Esto asegura que el arnés quede bien asegurado. (ver ilustración c5)

- Para remover la barra de seguridad, apriete y mantenga apretado el botón que se encuentra debajo de las cúpulas de costado y luego apriete el botón de costado para destrabar el mecanismo. Luego apriete el botón en el cobertor central y deslícelo del asiento. (ver ilustración c4)

! ADVERTENCIA:

Para evitar quebrar la barra de seguridad, no asegurar la barra de seguridad únicamente al seguro del medio. Favor de asegurar también a los botones laterales

Instalación de la bandeja pequeña

- (#05 Mini bandeja) El agujero que hay debajo de la mini bandeja debe calzar en la barra
- Asegure la bandeja pequeña en su posición presionando hacia abajo los brazos derecho e izquierdo de la bandeja. Oirá un clic.
- Para remover la bandeja pequeña, repita los pasos anteriores de atrás para adelante.
- La bandeja pequeña es lavable a máquina y es hecha en plástico según los estándares legales de la FDA.

Instalación de la bandeja de alimentos

- (#04 bandeja de alimentos) Presione simultáneamente el activador derecho e izquierdo ubicado debajo de la bandeja de alimentos mientras desliza esta sobre la

bandeja pequeña, luego suelte el activador en la posición deseada. Oirá un clic. Verifique que la bandeja de alimentos esté segura en su posición jalándola hacia arriba.

- La bandeja de alimentos se asegura en dos posiciones.
- Para ajustar la bandeja de alimentos, presione simultáneamente el activador derecho e izquierdo ubicado debajo de la bandeja de alimentos mientras desliza esta sobre la bandeja pequeña hacia delante o atrás, luego suelte el activador en la posición deseada. Oirá un clic. Verifique que la bandeja de alimentos esté segura en su posición jalándola hacia arriba.
- Para remover la bandeja de alimentos, repita los pasos anteriores de atrás para adelante.
- La bandeja pequeña es lavable a máquina y es hecha en plástico y aluminio según los estándares legales de la FDA.

Nota: Siempre verifique que la bandeja de alimentos esté segura en su posición jalándola hacia arriba.

ADVERTENCIA:

La bandeja no esta diseñada para sostener al niño en la silla

Altura e Inclinación de la silla

- Para ajustar la altura de la silla, desactive el seguro para giro y altura. Levante las palancas A & B al mismo tiempo mientras empuja el asiento hacia arriba o hacia abajo a la altura deseada y suelte las palancas.

- El asiento en el modo de silla de niño debe ser ajustado en la posición vertical
- Ajuste el asiento en la posición vertical presionando la palanca en la parte trasera del asiento y enderezando el asiento. Luego suelte la palanca. Aquí escuchara un click. Verifique que el asiento esté asegurado en esa posición moviéndolo. (ver ilustración c9).

NOTA: Únicamente el asiento puede estar en la posición mas vertical con la bandeja de juego o de alimentos instaladas. (ver ilustración c10)

Sección D: Instalación del asiento reductor

- (#09 arnés de seguridad, #08 funda del asiento reductor) Ponga los tirantes de los hombros a través de las aberturas de la funda del asiento a la altura deseada.
- Ponga el tirante de la cintura a través de las aberturas del cubre asiento.
- (#04 Unidad de asiento, #12 compartimiento) Deslice las hebillas de los tirantes en las hebillas que se encuentra ubicadas en la cara interior del asiento. Revise que los tirantes estén bien ajustados tirando de ellos. (ver ilustración d1)
- Pase el tirante de la entrepierna a través de la abertura superior a la abertura inferior del asiento reductor. Al retirar el tirante de la entrepierna del asiento reductor, cuidado que el extremo suelto no se quede pegado debajo del asiento reductor. (ver ilustración d2)

- Abra la puerta del compartimiento de guardado ubicado en la parte interna del asiento, detrás del cubre asiento. Deslice la hebilla que está al final de los tirantes de la cintura en las ranuras a cada uno de los lados del compartimiento. Verifique que los tirantes están bien ajustados tirando de ellos. (ver ilustración d4)
- Cierre el compartimiento.
- (Sin barra de seguridad) coloque el extremo suelto del tirante de la entrepierna bajo la cubierta del tirante de la entrepierna, y luego en las ranuras de la hebilla de la unidad de asiento. Revise que los tirantes están asegurados tirando de ellos. (referirse a d3 ilustración)
- (con barra de seguridad) Inserte la lazada en el extremo del tirante de la entrepierna a través del agujero superior de la cubierta del tirante de la entrepierna, y luego ponga el extremo suelto en la base del protector de la barra de seguridad. A continuación, deslice el cobertor de la barra de seguridad de la entrepierna en la unidad de asiento. Los tirantes y la hebilla no deben estar invertidos. Esto asegura que el arnés quede bien asegurado. (ver la ilustración d5)
- Ponga el asiento reductor en el asiento y presione en dirección al respaldo de la silla.
- Asegúrese que los tirantes están seguros, tirando de ellos.
- Ajuste el arnés de seguridad hasta que el niño este seguro .

 **ADVERTENCIA:**

- **Siempre use el arnés de seguridad.**
- **El asiento reductor tiene que utilizarse en combinación con la mini bandeja**

Sección E: Modo de Silla para niño

– para niños de 36 meses a 36kg / 79lbs (refiérase a la sección e de las ilustraciones)

Montaje de la funda del asiento

- (#12 compartimiento) Atrás de la funda, abra el compartimiento localizado en la parte interna del asiento.
- (#13 protector para la barra de seguridad, #14 cobertor del soporte central) Del compartimiento tome los dos protectores para la barra de seguridad y los cobertores del soporte central. Cierre el compartimiento.
- (#07 funda del asiento) Ponga la funda del asiento en el asiento y asegúrela con el velcro. (ver ilustración e1)
- Ponga los protectores de la barra de seguridad a cada lado del asiento. Escuchara un click.
- Deslice la pieza que cubre el tirante del medio en el asiento. (ver ilustración e2)

Altura del asiento

Para ajustar la altura de la silla, desactive el seguro para giro altura. Levante las palancas A & B al mismo tiempo mientras empuja el asiento hacia arriba o hacia abajo a la altura deseada y suelte las palancas. (ver ilustración e3)

 **ADVERTENCIA:**

- En modo de silla para niño, la unidad del asiento deberá siempre ser ajustada a la posición vertical.
- El descansa pie deberá ser removido de la silla en modo de silla de escritorio

Cuidado y Mantenimiento

Quitando la funda del asiento

1. Remueva los tirantes de los hombros y cintura del asiento. Jale las hebillas fuera del asiento a través de las ranuras del asiento hasta que queden libres.
2. Remueva el cubre asiento/cubre reductor.
3. Para remover el arnés, libere el tirante del medio deslizando la barra del medio hacia afuera del asiento.

La funda del asiento y el marco de la silla alta se podrán limpiar siguiendo las instrucciones de abajo.

ADVERTENCIA:

Utilizar un desinfectante eficaz, por ejemplo los limpiadores con contenido de alcohol o cloro, pueden provocar la decoloración, se recomienda utilizar limpiadores diseñados específicamente para telas de colores.

Nota:

- Las orillas expuestas de la funda del asiento son a menudo lo que primero se deteriora. Recuérdelo cuando guarde o transporte su silla alta.
- Las manchas ligeras en la funda del asiento en piel podrán ser removidas con una esponja húmeda y un detergente ligero. Cuelgue para secar. No utilice máquina de

secado.

- Ambas bandejas, la pequeña y la de alimentos se pueden lavar en el lavavajillas.
- La partes plásticas de la silla alta se limpian con un trapo húmedo. No usar detergentes abrasivos o blanqueadores.
- No esponga la trona directamente a la luz del sol por tiempo prolongado.

Lista para revisar

- Regularmente verifique que el arnés de seguridad este correctamente firme y que el ajustador no esta dañado. Si el arnés estuviera dañado, recomendamos que se administre uno nuevo. Para mayor información, contáctenos vía correo electrónico a service@bloombaby.com.
- Regularmente verifique que todos los mecanismos de seguridad estén limpios y funcionando correctamente.

Servicio después de la venta:

Cuando después de recibir su producto bloom® requiera asistencia, partes, o si estuviera insatisfecho con cualquier aspecto del producto, favor de contactar a bloom® a service@bloombaby.com. Nuestros consejeros estarán dispuestos a apoyarlo. También puede visitar nuestro sitio portal para la más reciente información.

de producto en bloombaby.com. Su retroalimentación y comentarios permiten a bloom® continuar con mejoras. Favor de mandar sus comentarios referentes a este producto a service@bloombaby.com.

Vielen Dank dass Sie sich für den *fresco*™ als Ihren Baby Hochstuhl entschieden haben – Der *fresco*™ ist bloom's nächste Generation moderner Baby Hochstühle.

**Wichtig - Heben Sie Diese
Gebrauchsinformationen
Auf:lesen Sie Die
Anleitung sorgfältig Vor
Der Montage Und Der
Verwendung Des Produkts.**

Bitte entfernen Sie alle
Verpackungsmaterialien vor Gebrauch.

Altersempfehlung

Empfohlen für den Einsatz für Neugeborenen
und Kinder bis zu 36kg / 79 lbs.

Produktinformation

Dieser Baby Hochstuhl wurde entwickelt und getestet, um die Einhaltung der neuesten, relevanten globalen Sicherheitsstandards zu gewährleisten.

Dieser Kinderhochstuhl wurde mit mehreren Konfigurationen der Nutzung für Babys und Kleinkinder von Geburt bis 36kg / 79lbs entworfen:

- Wiege-Modus: von 0 bis 6 Monate
- Kinderhochstuhl Modus: ab 6 Monaten
- Kleinkind Stuhl-Modus: ab 36 Monate bis 36kg / 79lbs

Modell Nr.: 10515

Teile - Liste

- #01 Hydraulik Zylinder
- #02 Hydraulik Zylinder Gehäuse
- #03 Bodenstück
- #04 Sitzeinheit
- #05 Mini-Tablett
- #06 Tablett
- #07 Sitzpolster (separat erhältlich)
- #08 Kleine Sitzauflage (separat erhältlich)
- #09 Sicherheitsgurt (separat erhältlich)
- #10 Sicherheitsbügel
- #11 Fußstütze
- #12 Ablagefach
- #13 Bügelklemmen
- #14 Abdeckung
- #15 Sitzschale

Patent Angemeldet
Farbe & Inhalt kann variieren

Hinweise für die sichere Nutzung sorgfältig lesen und für die spätere Verwendung aufbewahren

Die richtige Verwendung und Pflege Ihres Babys Stuhl wird die problemlose Verwendung gewährleisten. Wenn jemand anderes Ihren Baby Stuhl nutzen möchte, stellen Sie bitte sicher, dass diese Person mit dem Gebrauch des Hochstuhls und den notwendigen Vorsichtsmaßnahmen vertraut ist. Die Sicherheit Ihres Kindes liegt in Ihrer Verantwortung.

WICHTIG: Zusammenbau durch Erwachsene erforderlich

HINWEIS!

Vor intensiver Sonneneinstrahlung schützen: Sonneneinstrahlung über einen längeren Zeitraum kann zum Verblassen der Farben führen und den Alterungsprozess beschleunigen.

Abschnitt A: Basis-Montage (siehe Abbildungen Abschnitt a)

Hydraulik Zylinder / Höhen Widerstand

WICHTIG!

Der Widerstand wurde entwickelt um versehentliches oder freies Rotieren zu verhindern, jedoch ist es mit der Kraft eines Erwachsenen weiterhin möglich den Sitz zu drehen.

Zum Feststellen

drücken Sie den Metallhebel nach innen, bis er mit dem Plastikgehäuse bündig ist. Prüfen Sie ob der Sitz nun fest ist, indem Sie versuchen ihn zu drehen.

Zum Lösen

schieben Sie den Sicherheitsriegel aus Kunststoff zur Seite und halten ihn fest, während Sie den Metallhebel vollständig herausziehen.

(#01 Hydraulikzylinder, #02 Hydraulikzylinder Gehäuse) Stecken Sie den Hydraulikzylinder in das Hydraulikzylinder Gehäuse (stellen Sie sicher, dass der Hydraulik widerstand ausgekuppelt ist). Zum Feststellen des Widerstandes. (siehe Abbildung a1)

Bodenstück und Sitz Montage

(#01 Hydraulik Zylinder, #03 Bodenstück, #02 Hydraulikzylinder Gehäuse) Stecken Sie den Hydraulik-Zylinder in das Bodenstück, indem Sie das Entriegelungs - Symbol auf dem Hydraulik-Zylinder mit der Markierungslinie auf dem Bodenstück ausrichten. Drehen Sie ihn bis er einrastet ist und Sie ein hörbares "Click" vernehmen. In der eingerasteten Position sollte die Markierungslinie auf dem Bodenstück auf das Verriegelungssymbol zeigen. Überprüfen Sie, ob der Zylinder auch tatsächlich sicher eingerastet ist, indem Sie ihn anheben. Drücken Sie den Zylinderknopf, um die Höhe zu verstellen.

Um den Stuhl abzumontieren, heben Sie den Gleitknopf an der Seite des Hydraulik-Zylinders an während Sie ihn drehen, um das Entriegelungssymbol mit der Markierungslinie auszurichten. Heben Sie ihn hoch, um ihn herauszunehmen.

(#04 Sitzeinheit) Setzen Sie den Sitz auf die Drehlagerwelle und drehen Sie den Drehknopf gegen den Uhrzeigersinn fest. Prüfen Sie ob der Sitz sicher befestigt ist, indem Sie ihn nach oben ziehen. (Abbildung a2)

Drehstellung/Höheneinstellung

Um den Sitz zu drehen, müssen Sie den Dreh/Höhenwiderstand lösen und den Sitz in die gewünschte Position drehen. Stellen Sie Dreh/Höhenwiderstand nun wieder fest.

Um die Sitzhöhe einzustellen, lösen Sie den Dreh/Höhenwiderstand. Heben Sie die Hebel A & B gleichzeitig an, während Sie den Sitz bis zur gewünschten Höhe ziehen bzw. drücken. Lassen Sie die Hebel nun wieder los und stellen den Dreh/Höhenwiderstand fest. (siehe Abbildung a3)

WARNUNGEN:

Stellen Sie vor Gebrauch sicher, dass der Sitz sicher auf der Drehlagerwelle sitzt. Prüfen Sie ob der Sitz richtig zusammengesetzt ist, indem Sie die Höhenverstellung wie in der Anleitung beschrieben testen. Falls die Höhenverstellung nicht funktioniert, bedeutet dies, dass der Sitz nicht richtig zusammengesetzt ist. Bitte

versuchen Sie es in diesem Fall erneut und drücken den Sitz fest auf die Drehlagerwelle, um den Höhenverstellmechanismus zu richtig einzulegen.

Anheben & Gleiten – Leichtlaufräder

Um den Kindersitz über den Boden zu schieben, drehen Sie dessen Front zunächst in Schieberichtung. Neigen Sie den Kindersitz nach vorne, indem Sie ihn am Griff anheben, welcher sich an der Rückseite des Sitzes befindet. Schieben Sie nun den Stuhl mit Hilfe der schwenkbaren Bodenrollen, die am vorderen Ende der Bodenplatte angebracht sind, über den Boden. (siehe Abbildung a4)

WARNUNGEN:

- Setzen Sie den Zusammenbau des Kinderhochstuhls entsprechend der Eignung für Ihr Kind fort. Bitte beachten Sie sorgfältig die entsprechenden Anweisungen.
- Die Sicherheit eines Kindes liegt in Ihrer Verantwortung.

WARNUNGEN:

- Beugen Sie ernstern Verletzungen vor.
- sichern Sie immer Ihr Kind mit den Gurten.
- lassen Sie niemals Ihr Kind unbeaufsichtigt.

Abschnitt B: Wiegenstellung
– geeignet für 0 – 6 Monate (Beachten Sie Abschnitt b der Abbildungen)

WARNUNGEN:

- Verwenden Sie die Wiege nicht, wenn Ihr Kind ohne Hilfe aufrecht sitzen kann.
- Die Verwendung als Wiege ist für Kinder mit einem maximalen Gewicht von 9 kg / 20 lbs bestimmt.
- Lassen Sie Ihr Kind niemals unbeaufsichtigt, wenn der Kinderstuhl als Wiege verwendet wird.
- Wenn der Hochstuhl sich in Liegeposition befindet, muss Ihr Kind immer durch einen 5-Punkt-Sicherheitsgurt gesichert werden
- Stellen Sie die Wiege niemals auf eine erhöhte Oberfläche, wie z. B. einen Tisch, dies könnte gefährlich sein.
- Halten Sie das Produkt von offenem Feuer, Heizungen und anderen starken Wärmequellen fern.
- Verwenden Sie das Produkt nur, wenn alle Teile korrekt montiert und eingestellt sind.
- Stellen Sie vor der Verwendung sicher, dass der Gurt ordnungsgemäß angebracht ist.
- Diese Wiege eignet sich nicht für längere Schlafphasen.
- Es ist gefährlich, den Kinderstuhl auf erhöhte Oberflächen zu stellen.
- Die Wiege ist kein Ersatz für ein Kinderbett. Wenn Ihr Kind schlafen soll, legen Sie es in ein geeignetes Bett.
- Verwenden Sie kein Zubehör oder Ersatzteile, die nicht vom Hersteller zugelassen sind.

- **Verwenden Sie die Wiege nicht, wenn Teile beschädigt sind oder fehlen.**
- **Verwenden Sie immer das Rückhaltesystem.**

Einbau der Sitzeinlage und der Sicherheitsgurte

- (#07 Sitzpolster, #09 Sicherheitsgeschirr)
Stecken Sie die Schulterriemen durch die tiefer liegenden Schlitze in der Sitzeinlage
- Stecken Sie die Taillenriemen durch die seitlichen Schlitze in der Sitzeinlage Setzen Sie die Sitzauflage auf die Sitz-Einheit und drücken Sie den Klettverschluss fest. (siehe Abbildung b1)
- (#04 Sitzeinheit) An der Rückseite der Sitzeinlage befinden sich nun die Schnallen am Ende der Schulterriemen. Schieben sie diese Schnallen in die Aussparungen an der Innenseite der Sitzschale. (siehe Abbildung b2) Prüfen Sie die Riemen auf sicheren Halt, indem Sie an ihnen ziehen.
- (#12) Hinter der Sitzeinlage befindet sich an der Innenseite der Sitzschale ein Ablagefach. Öffnen Sie dieses durch Ziehen. Schieben Sie die Schnallen an den Enden der Taillenriemen in die Aussparungen auf beiden Seiten des Ablagefachs. Prüfen Sie die Riemen auf sicheren Halt, indem Sie an ihnen ziehen.
- (#13 Kappen, #14 Abdeckung) Nehmen Sie die zwei C-förmigen Klemmen und die Abdeckung für den Schrittriemen aus dem Ablagefach. Schließen Sie das Fach.
- Lassen Sie die C-förmigen Klemmen auf beiden Seiten des Sitzes einschnappen, so dass Sie ein deutliches Klicken hören.

- Legen Sie die Schnalle am Ende des Schrittriemens unter die Abdeckung und schieben die Abdeckung in den Sitz. Die Riemen und Schnalle dürfen nicht verdreht werden, nur so ist sichergestellt dass das Geschirr sicher schließt. (siehe Abbildung b4)
- Stellen Sie die Länge der Schulterriemen mit Hilfe der Schnallen ein, bis sie sicher um Ihr Kind liegen.
- Um die Sitzeinlage und die Sicherheitsgurte zum Reinigen zu entfernen, drücken und halten Sie die Taste unter den beiden seitlichen Kuppeln, und drücken Sie dann die seitliche Taste auf der Klippkappe, um die Verriegelung zu lösen. Drücken Sie dann die Taste auf der Gabelung Abdeckung und entfernen Sie aus der Sitzeinheit. (siehe Abbildung b3)

WARNUNGEN:

Benutzen Sie immer die Sicherheitsgurte Um die Sitzeinlage und die Sicherheitsgurte zum Reinigen zu entfernen, befolgen Sie die Anweisungen im Pflege & Wartung Abschnitt dieser Anleitung.

Benutzung und Einstellung der Sicherheitsgurte

- Anlegen des Sicherheitsgurtes: Legen Sie den Gurt an, indem Sie die Zungen an den Enden der Taillenriemen, welche mit den Enden der Schulterriemen verbunden sind, in die Schnalle des Schrittriemens drücken.

- Lösen des Sicherheitsgurtes: Drücken Sie die Enden der Zungen zusammen und ziehen sie aus der Schnalle. (siehe Abbildung b5) Sie können Ihr Kind nun aus dem Hochstuhl nehmen.
- Ziehen Sie die Gurte fest bis sie Ihr Kind behaglich umschließen.

HINWEIS:

Prüfen Sie jedes Mal, wenn Sie Ihr Kind in den Sitz legen oder die Position des Sitzes verstellen, ob die Gurte richtig sitzen und mittels Schulter und Taillenriemen eingestellt ist. Ziehen Sie die Gurte fest bis sie Ihr Kind behaglich umschließen.

Sitzhöhe/ Zurücklehnen des Sitzes

Um die Sitzhöhe anzupassen, lösen Sie den Dreh/Höhenwiderstand. Heben Sie die Hebel A & B gleichzeitig an, während Sie den Sitz bis zur gewünschten Höhe ziehen bzw. drücken. Lassen Sie die Hebel nun wieder los und stellen den Dreh/Höhenwiderstand fest.

Bringen Sie den Sitz in die liegende Position, indem Sie den Griff an der Rückseite des Sitzes niederdrücken. Kippen Sie den Sitz in die niedrigste oder geneigte Position zurück und lassen den Griff los. Sie werden ein deutliches Klicken hören.

Prüfen Sie ob der Sitz eingerastet ist, indem Sie ihn bewegen. Stellen Sie sicher, dass der Sitz für Kinder im Alter zwischen 0 und ca. 6 Monaten in der tiefsten oder der mittlere Rückenlage ist, bis

das Kind ohne Hilfe aufrecht sitzen kann. (siehe Abbildung b6)

WARNUNGEN:

- **Kinder die nicht selbst aufrecht sitzen können, dürfen nur in liegender oder geneigter Position in dem Hochstuhl sitzen. Die Sitzschale muss vollständig gekippt sein und in der Höhe auf der niedrigsten Stufe. Benutzen Sie immer den Sicherheitsgurt. Achten Sie darauf, dass Ihr Kind nicht in der Nähe von bewegliche Teile ist, wenn Sie die Position des Hochstuhls anpassen.**

Abschnitt C: Hochstuhl-Modus Geeignet für 6 bis 36 Monate (siehe Abbildungen Abschnitt c)

WARNUNGEN:

- **DIE SICHERHEIT IHRES KINDES LIEGT IN IHRER VERANTWORTUNG.**
- **LASSEN SIE IHR KIND NIE UNBEAUFSICHTIGT.**
- **BENUTZEN SIE DIE HOCHSTUHLSTELLUNG NICHT BEVOR IHR KIND OHNE HILFE AUFRECHT SITZEN KANN. (ca. 6 Monate)**
- **BENUTZEN SIE DEN SITZ NICHT WENN EIN TEIL FEHLT, ABGEBROCHEN ODER DEFEKT IST.**
- **Das Kind sollte in der Kinderstuhl zu jeder Zeit durch den 5-Punkt-Sicherheitsgurt in der Liegeposition gesichert werden.**
- **Darauf achten, dass das Produkt nicht in der Nähe von offenem Feuer und anderen Hitzequellen aufgestellt wird.**

- Das Produkt nicht benutzen, wenn nicht alle Teile ordnungsgemäß montiert und justiert sind.
- Fallrisiko: Kinder nicht auf das Produkt klettern lassen.
- Es besteht das Risiko, dass das Produkt umkippen könnte, wenn das Kind die Füße gegen einen Tisch oder einen anderen Gegenstand drückt.
- Immer die Sicherheitsgurte benutzen.
- Vergewissern Sie sich vor Gebrauch, dass die Gurte richtig festsitzen.
- Stellen Sie immer sicher, dass sich Ihr Kind nicht in der Nähe bewegender Teile des Hochstuhls befindet, bevor Sie etwas verstellen.
- Prüfen Sie den Hochstuhl regelmäßig auf Schäden und ob die Gurte sicher und richtig funktionieren. Schmierung ist nicht erforderlich.
- Verstellen Sie ihren Hochstuhl nicht solange sich Ihr Kind darin befindet.
- Prüfen Sie jedes Mal, wenn Sie Ihr Kind in den Sitz legen oder die Position des Sitzes verstellen, ob die Gurte richtig sitzen und mittels Schulter- und Tailenriemen eingestellt sind.
- Ziehen Sie die Gurte fest bis sie Ihr Kind behaglich umschließen.
- In der Hochstuhlstellung soll der Sitzschale immer aufrecht eingestellt werden.



- Die Fußstütze dient nicht als Abtreppung.
- Die Fußstütze ist geeignet für Kinder bis zu 24 Monaten.

- (#11 Fußstütze) Schieben Sie die Fußstütze ein, bis Sie ein deutliches Klicken hören. Prüfen Sie ob die Fußstütze sicher sitzt indem Sie sie nach unten ziehen.
- Um die Fußstütze zu entfernen, drücken Sie den Knopf am Ende der Fußstütze und schieben Sie die Fußstütze in die Richtung der Rückseite des Sitzes.
- Die Fußstütze hat drei Höhenpositionen. Drücken sie den Knopf an der Rückseite der Fußstütze während Sie sie bis zur gewünschten Position schieben. Die Fußstütze ist eingerastet, wenn Sie ein deutliches Klicken hören. Prüfen Sie ob die Fußstütze sicher sitzt, indem Sie sie nach unten ziehen. (siehe Abbildung c1)

Einbau der Sitzeinlage

- Bitte befolgen Sie die Anweisungen "Benutzung und Einstellung der Sicherheitsgurte" in Abschnitt B.
- Ziehen Sie die Gurte fest bis sie Ihr Kind behaglich umschließen.

Einbau des Sicherheitsbügels, der Sitzeinlage und der Sicherheitsgurte

- (#10 Sicherheitsbügel) Stecken Sie die Enden des Sicherheitsbügels in die Schlitz auf beiden Seiten der Sitzeinheit, bis Sie ein deutliches Klicken hören. (siehe Abbildung c4)

Einbau der Fußstütze/Einstellung der Fußstütze
WICHTIG!

- Legen Sie die Schlaufen am Ende des Schrittgurtes durch das obere Loch der Schrittgurt Abdeckung und legen Sie das lose Ende unter die Abdeckung. Schieben Sie dann die Abdeckung in die Sitzeinheit. Die Riemen und Schnalle dürfen nicht verdreht oder invertiert werden. So wird korrekte Verriegelung des Geschirrs sichergestellt. (siehe Abbildung c5)
- Um den Sicherheitsbügel zu entfernen, drücken und halten Sie die Taste unter den beiden seitlichen Kuppeln und drücken Sie dann seitlich auf die Kappe, um die Verriegelung zu lösen. Drücken Sie die Taste auf der Abdeckung und entfernen Sie sie aus der Sitzeinheit. (siehe Abbildung c4)

WARNUNGEN:

Um einen gebrochenen Sicherheitsbügel zu vermeiden, sollten Sie den Sicherheitsbügel nicht hängen lassen, wenn er nur zwischen den Beine befestigt ist. Bitte entferne den Sicherheitsbügel ganz.

Einbau der Mini Ablage

- (#05 Mini Tablett) Verriegeln Sie den Haken an der Unterseite des Mini-Tabletts mit dem Schutzbügel.
- Sichern Sie das Mini-Tablett in dieser Position, indem Sie die Rasten am linken und rechten Ende des Tablett einrasten. Sie werden ein deutliches Klicken hören. (Siehe Abbildung c7)
- Um das Mini-Tablett zu entfernen, führen Sie einfach die Installationsschritte in Umgekehrter Reihenfolge durch.

- Das Mini-Tablett ist aus FDA-konformem, Lebensmittel freundlichem und Spülmaschinen festen Kunststoff gefertigt.

Einbau des Tablett

- (#06 Tablett) Drücken Sie gleichzeitig den rechten und linken Hebel, welche sich unterhalb des Tablett befinden, während Sie das Tablett über die Mini Ablage schieben. Lassen Sie die Hebel los wenn die gewünschte Position erreicht ist. Sie werden ein deutliches Klicken hören. Prüfen Sie ob das Tablett sicher eingerastet ist, indem Sie versuchen es vom Hochstuhl abziehen. (siehe Abbildung c8)
- Das Tablett kann in zwei Stellungen einrasten
- Um das Tablett zu verstellen, drücken Sie gleichzeitig den rechten und linken Hebel, während Sie es vorwärts oder rückwärts schieben. Lassen Sie die Hebel in der gewünschten Position los. Sie werden ein deutliches Klicken hören. Prüfen Sie ob das Tablett sicher eingerastet ist, indem Sie versuchen es vom Hochstuhl abziehen.
- Um das Tablett zu entfernen verfahren Sie in umgekehrter Reihenfolge.
- Das Tablett, gefertigt aus FDA-konformen Lebensmittel freundlichem Kunststoff und Edelstahl, ist abnehmbar und spülmaschinenfest.

HINWEIS: Prüfen Sie immer ob das Tablett sicher eingerastet ist, indem Sie versuchen es vom Hochstuhl abziehen.

WARNUNGEN:

Das Tablett ist nicht dafür ausgelegt, um das Kind auf dem Stuhl halten.

Sitzhöhe / Zurücklehnen des Sitzes

- Lösen Sie den Dreh/Höhenwiderstand.
Heben Sie die Hebel A & B gleichzeitig an, während Sie den Sitz bis zur gewünschten Höhe ziehen bzw. drücken. Lassen Sie die Hebel nun wieder los und stellen den Dreh/Höhenwiderstand fest.
- In der Hochstuhlstellung kann die Rückenlage des Sitzes in drei Stufen verstellt werden.
- Um den Sitz von der Aufrechtstellung um eine Stufe zurückzulehnen, drücken Sie den Griff an der Rückseite des Sitzes nieder und drehen den Sitz in die gewünschte Position. Lassen Sie den Griff nun los. Sie werden ein deutliches Klicken hören. Prüfen Sie ob der Sitz eingerastet ist, indem Sie ihn bewegen. (siehe Abbildung c9)

HINWEIS: Die Sitzeinheit kann nur in der aufrechten Position mit dem Tablett versehen werden. (siehe Abbildung c10)

Abschnitt D: Einbau der Sitzeinlage

- (#09 Sicherheitsgurte, #08 Sitzeinlage) Stecken Sie Schultergurte in der gewünschten Höhe durch die Schlitzte der Sitzeinlage
- Stecken sie die Tailleuriemen durch die seitlichen Schlitzte der Sitzeinlage
- (#04 Sitzeinheit, #12 Ablagefach) Schieben Sie die Schnalle am Ende der Schultergurte an der

Rückseite der Sitzeinlage in das Gurtschloss auf der Innenseite der Sitzschale. (siehe Abbildung d1)

- Führen Sie den Schrittgurt erst durch die obere dann durch die untere Öffnung der Sitzeinlage. Achten Sie beim Entfernen des Schrittgurtes darauf, dass die losen Enden des Gurtes nicht unter die Sitzeinheit rutschen. (siehe Abbildung d2)
- Hinter der Sitzeinlage befindet sich an der Innenseite der Sitzschale ein Ablagefach. Öffnen Sie dieses durch Ziehen. Schieben Sie die Schnallen am Ende der Taillengurte in die Schlitzte auf beiden Seiten der Aufbewahrungskammer. Überprüfen Sie durch ziehen, ob die sicher fest sitzen. (siehe Abbildung d4)
- Schließen Sie das Fach.
- (Ohne Sicherheitsbügel) legen Sie das lose Ende des Schrittgurtes unter die Abdeckung und in die Schlitzte für die Schnalle der Sitzeinheit. Überprüfen Sie durch Ziehen an den Riemen ob die Gurte befestigt sind. (siehe Abbildung d3)
- (Mit Sicherheitsbügel) Legen Sie die Schlaufe am Ende der Schrittgurte durch das obere Loch der Abdeckung und legen Sie dann das lose Ende unter den Sicherheitsbügel. Schieben Sie dann den Sicherheitsbügel in die Sitzeinheit. Der Riemen und Schnalle dürfen nicht verdreht oder invertiert werden. Dadurch wird das korrekte Schließen des Geschirrs sichergestellt. (siehe Abbildung d5)
- Setzen Sie die Sitzeinlage in die Sitz-Einheit, und drücken Sie sie dann in Richtung der Rückenlehne.

- Überprüfen Sie durch Ziehen, ob die Gurte richtig befestigt sind.
- Stellen Sie die Länge der Schulterriemen mit Hilfe der Schnallen ein, bis sie sicher um Ihr Kind liegen.

WARNUNGEN:

- **Benutzen Sie immer die Sicherheitsgurte.**
- **Die Sitzschale muss zusammen mit dem Mini-Tablett verwendet werden**

Sektion E: Kleinkind Stuhl-Modus – Geeignet für 36 Monate bis 36kg / 79lbs (siehe Abbildungen Abschnitt e)

Einbau der Sitzeinlage

- (#12 Ablagefach) Hinter der Sitzeinlage befindet sich an der Innenseite der Sitzschale ein Ablagefach. Öffnen Sie dieses durch Ziehen.
- (#13 Buegelklemmen, #14 die Abdeckung für den Schrittriemen) Nehmen Sie die zwei Klemmen und die Abdeckung für den Schrittriemen aus dem Ablagefach. Schließen Sie das Fach.
- (#07 Sitzeinlage) Setzen Sie die Sitzauflage auf die Sitz-Einheit und drücken Sie den Klettverschluss fest. (siehe Abbildung e1)
- Lassen Sie die Klemmen auf beiden Seiten des Sitzes einschnappen, so dass Sie ein deutliches Klicken hören.
- Schieben Sie die Abdeckung des Schrittriemens in den Sitz. (siehe Abbildung e2)

Sitzhöhe

Lösen Sie den Dreh/Höhenwiderstand. Heben Sie die Hebel A & B gleichzeitig an, während Sie den Sitz bis zur gewünschten Höhe ziehen bzw. drücken. Lassen Sie die Hebel nun wieder los und stellen den Dreh/Höhenwiderstand fest. (siehe Abbildung e3)

WARNUNGEN:

- **In der Kinderstand soll der Sitzschale immer aufrecht eingestellt werden**
- **Fußstütze entfernen wenn das Kind 2 Jahre alt ist**

Pflege & Wartung

Entfernen der Sitzeinlage des Kindersitzes

1. Entfernen Sie die Schulter- und Tailenriemen vom Sitz. Ziehen Sie die Riemen durch die Schlitzte aus der Sitzschale, bis sie frei liegen
2. Entfernen Sie die Sitzeinlage
3. Schieben Sie den Sockel des Schrittriegels aus dem Sitz und legen die Schrittriemen frei um alle Gurte zu entfernen. Die Sitzeinlage und der Kinderstuhlrahmen können nun unter Beachtung unten stehender Anweisungen gereinigt werden.

WARNUNGEN:

Das Verwenden von Alkohol- oder Chlorhaltigen Reinigern kann Bleichungen und Verfärbungen verursachen. Es wird daher empfohlen spezifisch bestimmte Reiniger für farbige Stoffe zu verwenden. Bitte nur fleckenweise säubern, die

Sitzeinlage ist nicht für die Reinigung in der Waschmaschine geeignet.

- Die beanspruchten Ränder der Sitzeinlage verschleiben oft als erstes. Beachten Sie dies beim Transport, Umgang und der Lagerung Ihres Hochstuhls.
- Leichte Verschmutzungen der Sitzfläche können mit einem feuchten Tuch oder Schwamm und einem milden Reinigungsmittel entfernt werden. Zum Trocknen aufhängen. Nicht maschinell trocknen.
- Die Mini Ablage sowie das Tablett sind spülmaschinenfest.
- Reinigen Sie die Plastikteile des Hochstuhls mit einem feuchten Tuch oder Schwamm und einem milden Reinigungsmittel.
- Stellen Sie den Babystuhl nicht direkt unter dem Sonnenlicht bei anhaltender Zeitspanne, da sich der Stuhl durch die UV-Strahlen verfärben kann.

Checkliste

- Prüfen Sie regelmäßig ob alle Schließmechanismen sauber sind und richtig funktionieren.
- Prüfen Sie regelmäßig ob die Gurte richtig sitzen und das Gewebe nicht ausgefranst oder beschädigt ist. Wenn die Gurte beschädigt sind, empfehlen wir, dass ein neues eingesetzt wird.
- Für weitere Informationen erreichen Sie uns per email unter service@bloombaby.com.

Kundendienst

Falls Sie nach Erhalt ihres bloom Produktes Hilfe oder Ersatzteile benötigen oder mit bloom in Verbindung treten möchten, kontaktieren Sie bloom bitte per email unter service@bloombaby.com. Unser geschultes Personal wird Ihnen gerne behilflich sein. Darüber hinaus finden Sie auf unserer Webseite bloombaby.com die neuesten Produktinformationen.

Ihre Meinung und Ihr Kommentar ermöglichen es bloom sich ständig weiter zu verbessern. Bitte senden Sie uns Ihre Meinung zu diesem Produkt an service@bloombaby.com

Grazie per aver scelto il *fresco*™ come seggiolone per il vostro bambino – Il *fresco*™ è la prossima generazione bloom degli odierni seggioloni.

**IMPORTANTE!
CONSERVARE PER
ULTERIORI INFORMAZIONI:
LEGGERE ATTENTAMENTE
PRIMA DI ASSEMBLARE E
USARE IL PRODOTTO.**

Si prega di rimuovere tutti i materiali di imballaggio prima dell'uso.

Età consigliata

Consigliato ad un uso dai neonati fino ai 36kg / 79lbs.

Informativa sul prodotto

Questo seggiolone è stato disegnato e testato, per essere conforme agli ultimi standard di sicurezza mondiali.

Questo seggiolone è stato ideato per avere una molteplicità d'usi, sia per infanti che per bambini; dalla nascita ai 36kg / 79lbs.

- modalità culla: dai 0 ai 6 mesi.
- modalità Seggiolone: a partire dai 6 mesi.
- modalità sedia per bambini: dai 36 mesi ai 36kg / 79lbs.

Modello N°: 10515

lista delle parti:

- #01 pistone
- #02 alloggiamento pistone
- #03 base
- #04 unità sedile
- #05 vassoio piccolo
- #06 vassoio per il cibo
- #07 imbottitura seduta (venduto separatamente)
- #08 imbottitura riduttore culla (venduto separatamente)
- #09 cinture di sicurezza (venduto separatamente)
- #10 barra di sicurezza
- #11 poggiapiedi
- #12 vano portaoggetti
- #13 capsula aggancio barra
- #14 Spartigambe
- #15 riduttore

In attesa di brevetto

Colore e contenuti potrebbero variare

Istruzioni per un uso sicuro. Leggere attentamente e conservare per eventuali ulteriori consultazioni

Il corretto impiego e manutenzione del vostro seggiolone per bambini, vi eviterà problemi d'uso. Qualora qualcun altro la usasse, assicuratevi che anche loro sappiano come utilizzare, come sistemarlo e le necessarie precauzioni di sicurezza. La sicurezza del vostro bambino è vostra responsabilità.

NOTA: Richiede il montaggio da parte di un adulto.

IMPORTANTE!

Riporre lontano da fonti naturali di luce, l'esposizione al sole per periodi prolungati potrebbe sbiadire i colori e accelerare il processo d'invecchiamento.

Sezione A: Montaggio di base (fare riferimento alle figure della sezione a)

Blocco della rotazione e dell'altezza

IMPORTANTE!

Il blocco è disegnato per prevenire rotazioni accidentali o involontarie, è comunque possibile ruotare la seduta con la forza di un adulto.

Per bloccare

Spingere all'interno la leva metallica, affinché si allinea con l'appoggio in plastica. Girare la seduta per controllare che sia agganciata correttamente.

Per sbloccare

Tirare completamente verso l'esterno la leva metallica. Girare la seduta per controllare che il dispositivo sia sganciato.

(#01 perno #02 alloggiamento perno) Inserire il perno completamente nel suo alloggiamento (assicurarsi che il blocco del perno sia disattivato). Inserire il blocco del perno. (Vedere figura a1)

Montaggio della base con la seduta

(#01 perno, #03 base, #02 alloggiamento perno) Inserire il perno nella base allineando la figura "unlock" impressa sulla base, alla linea d'indicazione impressa sul perno. Girare fino alla posizione di bloccaggio. Sentirete un chiaro "click". Nella posizione di bloccaggio la linea indicativa dovrebbe puntare sulla figura "lock". Controllare che il perno sia assicurato saldamente tirandolo verso l'alto. Premere il tasto sul perno per alzarlo.

Per sbloccare, sollevare il pulsante di slittamento del perno girandolo fino ad allineare la figura "unlock" alla linea d'indicazione. Tirare per rimuovere.

(#04 unità di seduta) Inserire la seduta nel perno e stringere il fissaggio tappo in senso antiorario. Controllare che la seduta sia ben assicurata tirandola verso l'alto.

Regolazione dell'altezza e della rotazione

Per ruotare la seduta, sganciare il blocco altezza/rotazione, quindi girare la seduta dal lato desiderato.

Per regolare l'altezza del sedile, sbloccare il blocco altezza/rotazione. Alzare contemporaneamente le leve di sblocco A & B, allo stesso tempo, spingere o tirare all'altezza desiderata, quindi rilasciare le leve. (Vedere la figura a3)

IMPORTANTE!

Assicurarsi che la seduta sia saldamente inserita nel pistone prima dell'uso. Controllare che la seduta sia stata montata adeguatamente provando le funzioni di regolazione dell'altezza, seguendo le istruzioni fornite da questo manuale d'uso. Se la regolazione dell'altezza non funziona, significa che la seduta non è correttamente montata, si prega di ritentare e spingere decisamente in basso la seduta sul pistone, in modo da agganciare adeguatamente il meccanismo di regolazione dell'altezza.

Alzare&spostare. Ruote scorrevoli

Per muovere il seggiolone sul pavimento, prima di tutto ruotare la seduta così che si trovi di fronte a voi, quindi agganciare il perno di rotazione. Inclinare il seggiolone in avanti alzando la maniglia posizionata sul retro della seduta, quindi scivolare il seggiolone sul pavimento grazie alle ruote a sfera, site sotto il lato frontale della base. (Vedere la figura a4)

AVVERTENZA:

- **Proseguire il montaggio del seggiolone seguendo la configurazione più adatta a vostro figlio. Seguire le istruzioni corrispondenti attentamente.**
- **La sicurezza del bambino è una vostra responsabilità.**

AVVERTENZA:

- Prevenite lesioni gravi o morte da cadute o scivolamenti.
- Assicurarvi sempre che il bambino sia legato.
- Non lasciare mai il bambino incustodito.

Sezione B: Modalità Culla – adatto a bambini da 0 a 6 mesi (Vedere figure sezione b)

AVVERTENZA:

- Non utilizzare la modalità culla reclinata se il bambino è in grado di stare seduto in maniera autonoma.
- La modalità culla reclinata è pensata per bambini con un peso massimo di 9 kg / 20 lbs.
- Non lasciare mai il bambino da solo quando il prodotto è in modalità culla reclinata.
- In modalità culla il bambino dovrebbe essere assicurato sul seggiolone attraverso le cinture a cinque punte tutto il tempo di permanenza.
- È pericoloso posizionare la culla su una superficie rialzata, ad es. un tavolo.
- Tenere il prodotto lontano da fiamme vive, radiatori e altre fonti di calore intenso.
- Utilizzare il prodotto solamente quando tutti i componenti saranno correttamente installati e regolati.
- Assicurarvi che l'imbracatura di sicurezza sia ben agganciata prima dell'uso.

- La culla reclinata non è stata concepita per prolungati periodi di sonno.
- È pericoloso posizionare il prodotto su una superficie rialzata.
- La culla reclinata non è adatta a sostituire la culla o il letto. Quando il bambino ha bisogno di dormire, utilizzare una culla o un letto adeguati.
- Non utilizzare accessori o parti di ricambio che non siano quelli approvati dal produttore.
- Non utilizzare la culla reclinata in caso di parti danneggiate o mancanti.
- Assicurarvi di utilizzare sempre la cintura di sicurezza.

Installazione dell'imbottitura della seduta e del sistema di cinture di sicurezza

- (#07 imbottitura seduta, #09 cinture di sicurezza) Passare le bretelle attraverso le fessure dell'imbottitura nella parte più bassa,
- le cinghie addominali attraverso le fessure dell'imbottitura.
- Posizionare l'imbottitura sulla seduta ed fissarla mediante il velcro. (Vedere figura b1)
- (#04 Seduta) Dietro l'imbottitura della seduta, far scivolare la fibbia fino alla fine delle stringhe delle spalle, nella fessura della fibbia sul lato interno della seduta. (Vedere illustrazione b2) Controllare che le cinghie siano assicurate tirandole.
- (#12 vano portaoggetti) Dietro l'imbottitura della seduta, tirare per aprire la porta dello vano portaoggetti sita nella parte posteriore della seduta. Far scivolare la fibbia al termine della stringa addominale, quindi nella fessura

in entrambi i lati del vano portaoggetti. Controllare che le cinghie siano assicurate tirandole.

- (#13 capsula aggancio barra, #14 sparti gambe) Dal vano portaoggetti, estraete le due capsule di aggancio delle barre e la copertura spartigambe. Chiudere la porta del vano.
- Inserite le capsule di aggancio delle barre in entrambe i lati della seduta; udirete un sonoro click.
- Inserire l'occhiello alla fine dello spartigambe attraverso il foro superiore della copertura dello stesso spartigambe, quindi passare le estremità libere sotto la copertura dello spartigambe. A questo punto farlo scivolare nella seduta. Le cinghie e le fibbie non devono essere aggrovigliate o rovesciate. Ciò assicurerà la perfetta chiusura dell'imbracatura di sicurezza. (Vedere figura b4)
- Per rimuovere la capsula di aggancio della barra, agganciare i pulsanti sotto i due lati della cupola, quindi premere il pulsante sulla copertura dello spartigambe e rimuovere la seduta. (Vedere illustrazione b3)

AVVERTENZA:

Usare sempre le cinture di sicurezza.

Per rimuovere l'imbottitura e le cinture di sicurezza per pulire, seguire le istruzioni date nel paragrafo "mantenimento e cura", all'interno di questo manuale d'uso.

Uso e regolazione delle cinture di sicurezza

- Per bloccare le cinture di sicurezza, premere la linguetta alla fine delle cinghie addominali,

collegarla con la fine delle bretelle, quindi nella fibbia dello spartigambe.

- Per sbloccare le cinture di sicurezza, premere il pulsante centrale. (Vedere figura b5)
- Regolazione della lunghezza delle cinture di sicurezza, tirare le cinghie finché non aderiscano bene al vostro bambino.

NOTA: Ogni volta che mettete il bambino nel seggiolone o che, comunque, modificate la posizione del sedile, controllate sempre che le cinture di sicurezza siano aderenti. Stringere le cinture finché circondino perfettamente il bambino.

Altezza e reclinabilità della seduta

Per regolare l'altezza del sedile, sganciare il blocco altezza/rotazione. Sollevare entrambe le leve di sgancio simultaneamente, contemporaneamente spingere o tirare all'altezza desiderata, quindi lasciare le leve.

Regolare la seduta nella posizione culla spingendo la maniglia sul retro della seduta, quindi reclinarla verso la posizione più bassa o intermedia e rilasciare la maniglia. Sentire un ben udibile click. Controllare che la seduta sia bloccata in posizione, muovendola. Assicurarsi che la seduta sia reclinata nella posizione minima o intermedia reclinata in posizione culla per bambini dalla nascita fino i 6 mesi circa, o comunque, finché il bambino non sia in grado di stare seduto senza aiuto. (Vedere figura b6)

AVVERTENZA:

I bambini che non possono stare seduti da soli possono utilizzare questo seggiolone solo in posizione culla. La seduta deve essere reclinata nella posizione più bassa o intermedia. Utilizzare sempre le cinture di sicurezza.

Assicurarsi sempre che vostro figlio non sia vicino alle parti mobili della seduta, prima di qualsiasi regolazione.

Sezione C: modalità seggiolone – adatto dai 6 ai 36 mesi (Vedere figure sezione c)

AVVERTENZA:

- LA SICUREZZA DEL BAMBINO E' VOSTRA RESPONSABILITA'.
- NON LASCIARE MAI IL BAMBINO INCUSTODITO.
- NON USARE IL SEGGIOLONE FINCHE' IL BAMBINO NON SIA IN GRADO DI SEDERE DA SOLO.
- NON USARE IL PRODOTTO NEL CASO IN CUI ALCUNE PARTI SIANO ROTTE, LACERE O PERDUTE.
- La modalità seggiolone è ideata per bambini che abbiano approssimativamente 6 mesi (che siano cioè in grado di sedere da soli) e solo fino ai 36 mesi.
- Il bambino dovrebbe sempre essere assicurato al seggiolone con l'imbracatura di sicurezza a 5 punte e nella giusta posizione.
- Prestare attenzione al rischio generato da fiamme libere e altre fonti di forte calore nelle vicinanze del prodotto.
- Non utilizzare il prodotto a meno che tutti

i componenti non siano correttamente agganciati e regolati.

- Pericolo di caduta : non lasciare che il bambino si arrampichi sul prodotto.
- Prestare attenzione al rischio di ribaltamento del prodotto nel caso in cui il bambino si spinga con i piedi contro il tavolo o qualsiasi altra struttura.
- Utilizzare sempre il sistema di ritenuta.
- Assicurarsi che le cinture di sicurezza siano correttamente agganciate prima dell'uso.
- sempre che il seggiolone sia su di una superficie stabile prima dell'uso.
- Assicurarsi sempre che il vostro bambino non abbia accesso alle parti mobili della seduta, prima di qualsiasi regolazione.
- Controllare periodicamente che il seggiolone non sia danneggiato e assicurarsi che le cinture siano perfettamente funzionanti e sicure. Non necessitano di lubrificazioni.
- Controllare sempre che il vassoio sia assicurato nella sua posizione cercando di estrarlo dal seggiolone.
- **IMPORTANTE:** Tutte le volte che mettete il bambino nel seggiolone o qualora modificaste la posizione della seduta, controllare sempre che le cinture di sicurezza siano adeguatamente agganciate. Stringere le cinture finché non circondino perfettamente il bambino.
- Nel seggiolone la seduta può essere regolata solo in posizione verticale.

**Montaggio e regolazione del poggia piedi
IMPORTANT!**



- **NON USARE** il poggiapiedi come gradino.
- **USARLO** solo come poggiapiedi per bambini fino ai 24 mesi.

- (#11 poggiapiedi) Far scorrere il poggiapiedi finché non udirete un chiaro click. Controllare che il poggiapiedi sia ben assicurato spingendo verso il basso.
- Per rimuovere il poggiapiedi, premere il pulsante sito tra lo stesso e la seduta, contemporaneamente sfilate il poggiapiedi dalla seduta.
- Il poggiapiedi ha tre regolazioni d'altezza. Premere il pulsante sul retro del poggiapiedi, contemporaneamente farlo scorrere verso l'alto o il basso, secondo la posizione desiderata. Il poggiapiedi è fissato nel momento in cui udirete un suono click. Controllare che il poggiapiedi sia assicurato tirandolo verso il basso. (Vedere figura c1)

Installazione dell'imbottitura

- Seguire le indicazioni site nella sezione B "Installazione dell'imbottitura della seduta e del sistema di cinture di sicurezza."
- Regolare la lunghezza delle cinture di sicurezza finché non siano ben accostate al bambino.

Installazione della barra di sicurezza, dell'imbottitura & del sistema di cinture di sicurezza

- (#10 barra di sicurezza) Inserire entrambe le estremità della barra di sicurezza, nell'apposito spazio sito in entrambi i lati della

seduta. Sentirete un ben chiaro click. (Vedere figura c4)

- Inserire l'occhiello alla fine dello spartigambe e quindi mettere l'estremità libera sotto la copertura dello stesso. A questo punto fare scorrere la copertura dello spartigambe nella seduta. Le cinghie e le fibbie non devono essere aggrovigliate o rovesciate.
- Per rimuovere la barra di sicurezza, agganciare i pulsanti sotto entrambi i lati della cupola, quindi premere il bottone sul lato del cappuccio della cupola per liberare il blocco. A questo punto premere il pulsante sullo spartigambe e rimuoverlo dalla seduta. (Vedere figura c4)

! AVVERTENZA:

Per evitare la rottura della barra di sicurezza non lasciarla liberamente inserita nel seggiolone solo attraverso il cover spartigambe

Montaggio del vassoio piccolo

- (#05 vassoietto) Far scattare il gancio sito sul fondo del vassoio, sulla barra di sicurezza mentre ruotate il vassoio verso il basso.
- Bloccare il vassoietto in posizione spingendone i bracci destro e sinistro verso il basso. Sentirete un chiaro click. (Vedere figura c7)
- Per rimuovere il vassoietto, invertire la suddetta sequenza.
- Il vassoietto è lavabile in lavatrice e rispetta le norme del F.D.A. (Food and Drugs Administration) sul quantitativo di plastica a contatto con il cibo.

Montaggio del vassoio pappa

- (#06 vassoio papa) Premere contemporaneamente le leve di sgancio destra e sinistra site sotto il vassoio pappa, mentre lo fate scorrere sul vassoietto, quindi lasciare le leve quando avrete trovato la posizione desiderata. Sentirete un chiaro click. Controllare che il vassoio pappa sia ben agganciato tentando di tirarlo via dal seggiolone. (Vedere figura c8)
- Per regolare il vassoio, tirare contemporaneamente le leve di sgancio sinistra e destra site sotto il vassoio, mentre lo fate scorrere in avanti o in dietro. Rilasciare le leve una volta trovata la posizione desiderata. Sentirete un chiaro click. Controllare che il vassoio papa sia ben agganciato, tentando di tirarlo via dal seggiolone.
- Per rimuovere il vassoio pappa, invertire la suddetta sequenza.
- Il vassoietto è lavabile in lavatrice e rispetta le norme del F.D.A. (Food and Drougs Administration) sul quantitativo di plastica a contatto con il cibo.

NOTA: controllare sempre che il vassoio sia saldamente bloccato tentando di tirarlo via dal seggiolone.



AVVERTENZA:
Il vassoio non è pensato per trattenere il bambino nel seggiolone.

Regolazione dell'altezza e della reclinabilità

- Per regolare l'altezza, liberare il blocco rotazione/altezza. Sollevare

contemporaneamente le leve di sgancio A & B, nello stesso tempo spingere verso il basso o tirare verso l'alto fino a raggiungere l'altezza desiderata, quindi lasciare le leve.

- Nel seggiolone la seduta può essere regolata solo in posizione verticale.
- Regolare la seduta nella posizione verticale tirando la maniglia sul retro esterno della seduta, quindi alzare il sedile nella posizione più alta e lasciare la maniglia. Udirete un chiaro click. Controllare che la seduta sia ben agganciata, tentando di tirarla via dal seggiolone.

NOTA: la seduta può raggiungere la posizione più alta solo con l'installazione del vassoietto e il vassoio pappa. (Vedere illustrazione c10)

Sezione D: montaggio del riduttore

- (#09 imbracatura di sicurezza, #08 imbottitura culla) Mettere le bretelle attraverso l'imbottitura della culla all'altezza desiderata.
- Mettere la cinghia addominale attraverso le fessure laterali dell'imbottitura della culla .
- (#04 seduta, #12 vano portaoggetti) Dietro l'imbottitura della culla, fare scorrere la fibbia sulla fine delle bretelle nella fessura sita nella parte posteriore della seduta.
- Infilare lo spartigambe attraverso dall'apertura superiore alla inferiore del riduttore. (Vedere figura d1 e d2)
- Dietro l'imbottitura della seduta, aprire il vano portaoggetti sito sulla sua parte posteriore. Far scorrere la fibbia alla fine delle cinghie

addominali e nelle fessure su entrambi i lati del vano. Controllare che le cinghie siano ben assicurate tirandole. (Vedere figura d4)

- Chiudere il vano portaoggetti.
- (Senza barra di sicurezza) mettere l'estremità libera dello spartigambe sotto la copertura dello stesso, quindi nella fessura della seduta. Controllare che le cinghie siano assicurate bene tirandole. (Vedere figura d3)
- (Con la barra di sicurezza) Inserire l'anello alla fine dello spartigambe attraverso il foro superiore della sua copertura, quindi mettere l'estremità libera sotto la base dello spartigambe. A questo punto far scivolare la base della barra dello spartigambe nella seduta. La cinghia e la fibbia non devono essere aggrovigliate o rovesciate. Questo vi assicurerà la corretta chiusura dell'imbracatura di sicurezza. (Vedere illustrazione d5)
- Posizionare la culla comfort nella seduta, e premere verso lo schienale.
- Controllare che le cinghie siano assicurate, tirando le cinghie.
- Regolare la lunghezza delle cinghie dell'imbracatura, finché si adatta perfettamente al bambino.
- Quando rimuovete lo spartigambe dal riduttore, fate attenzione all'estremità libera della cinghia, deve aderire sotto il riduttore. (Vedere figura d6)

AVVERTENZA:

- Usare sempre le cinghie di sicurezza.
- Il riduttore deve essere utilizzato in combinazione con il vassoietto

Sezione E: modalità sedia per bambini - adatto dai 36 mesi ai 36kg / 79lbs (Vedere figura sezione e)

Montaggio dell'imbottitura della seduta

- (#12 vano portaoggetti) Dietro l'imbottitura della seduta, aprire la porta del vano portaoggetti sito sulla parte posteriore della seduta.
- (#13 capsula aggancio barra, #14 spartigambe) Dal vano portaoggetti, tirare fuori le due capsule di aggancio della barra e l'imbottitura dello spartigambe. Chiudere il vano portaoggetti.
- (#07 imbottitura seduta) Piazzate l'imbottitura sulla seduta; assicurarla con il Velcro. (Vedere figura e1)
- Fate scattare l'aggancio della barra su entrambi i lati della seduta, sentirete un chiaro click.
- Fate scivolare la copertura dello spartigambe nella seduta. (Vedere figura e2)

Altezza dell'unità di seduta

Regolare l'altezza del sedile, liberare il blocco altezza/rotazione. Alzare contemporaneamente le leve di sgancio A & B, allo stesso tempo spingere o tirare per raggiungere l'altezza desiderata, quindi lasciare le leve di sgancio. (Vedere figura e3)

AVVERTENZA:

- nella modalità sedia bambini la seduta deve essere sempre in posizione verticale
- nell'utilizzo modalità sedia bambini il poggiatesta deve essere rimosso

Cura e manutenzione

Rimuovere l'imbottitura del seduta e del nido del seggiolone

1. Rimuovere le bretelle e la cinghia addominale dalla seduta. Tirare le cinghie attraverso le rispettive fessure della seduta finché siano libere dall'imbottitura del nido o della culla.
2. Rimuovere l'imbottitura della seduta e della culla del seggiolone.
3. Per rimuovere l'intero cinghiaggio di sicurezza, liberare lo spartigambe, facendo scivolare la barra dello spartigambe fuori dalla seduta.

L'imbottitura del telaio della seduta/culla e del seggiolone, ora può essere pulita seguendo le istruzioni sull'etichetta dell'imbottitura stessa.



AVVERTENZA:

Usando un disinfettante troppo aggressivo, per esempio detergente con alcool o cloro, si potrebbero verificare scolorimenti e sbiancamenti, si raccomanda di usare detergenti specifici per tessuti colorati

Nota:

- I bordi esposti dell'imbottitura della seduta/culla sono spesso i primi a consumarsi e logorarsi. Ricordarsi di questo quando riponete o trasportate il vostro seggiolone.
- Lo sporco leggero dell'imbottitura della seduta/culla può essere asportato con una spugna umida e un detergente neutro. Asciugare appeso. Non centrifugare.
- Sia il vassoio piccolo che il vassoio pappa sono lavabili in lavatrice.

- Pulire le parti in plastica del seggiolone con un panno umido; non usare abrasivi o candeggina.
- Non esporre la seggiola per bambino alla luce diretta del sole, ne prolunga della vita.

Lista di controllo

- Controllare periodicamente che le cinghie di sicurezza siano correttamente fissate e che la tessitura non sia sfilacciata o danneggiata. Se l'imbracatura risultasse danneggiata, vi raccomandiamo di sostituirla. Per ulteriori informazioni contattateci tramite mail all'indirizzo service@bloombaby.com.
- Controllare periodicamente che tutti i sistemi di bloccaggio siano puliti e funzionino adeguatamente.

Servizio Post vendita

Quando ricevete un prodotto bloom, qualora vi servisse assistenza, parti di ricambio o foste insoddisfatti di qualsiasi aspetto della merce, vi preghiamo di contattare Bloom tramite mail all'indirizzo service@bloombaby.com.

I nostri validi consulenti saranno in grado di aiutarvi.

Potete anche visitare il nostro sito web all'indirizzo bloombaby.com per informazioni sugli ultimi prodotti.

I vostri riscontri e informazioni consentono a Bloom di continuare a migliorarsi. Vi preghiamo di mandare i vostri commenti riguardo questo prodotto all'indirizzo service@bloombaby.com.

bedankt dat u hebt gekozen voor de *fresco* kinderstoel. De *fresco* kinderstoel is bloom's volgende generatie kinderstoel. De ideale stoel voor elke fase van de ontwikkeling van uw kind.

Belangrijk. Bewaar voor toekomstig gebruik. Lees aandachtig voor gebruik en installatie.
Verwijder alle verpakking voor gebruik.

Adviesleeftijd

Deze stoel is geschikt voor kinderen van geboorte tot 36kg / 79lbs (0 – ca 8 jaar)

Product Informatie

Deze kinderstoel is ontworpen en getest om te voldoen aan de meest recente relevante veiligheidsvoorschriften.

Het design van deze kinderstoel heeft verschillende standen:

- Babystand: van 0 tot 6 maanden
- Peuterstand: van 6 tot 36 maanden (evt. met zitverhoger)
- Kinderstand: van 36 maanden tot 36kg

model no 10515

onderdelenlijst

- #01 gasveer
- #02 kan van de gasveer
- #03 bodemplaat
- #04 kuip/zitting
- #05 kleine tafel
- #06 grote tafel
- #07 grote zitting (apart verkrijgbaar)
- #08 kleine zitting (apart verkrijgbaar)
- #09 veiligheidsgordel (apart verkrijgbaar)
- #10 veiligheidsbeugel
- #11 voetsteun
- #12 opbergvak
- #13 scharnierdoppen
- #14 sluitclipje
- #15 zitverhoger

PATENT PENDING

Kleur & inhoud kan afwijken

Handleiding voor veilig gebruik- SVP zorgvuldig lezen en bewaren voor toekomstig gebruik.

Correct gebruik en onderhoud van uw fresco stoel zorgt ervoor dat u er lang en zorgeloos plezier van hebt. Als iemand anders uw fresco stoel gebruikt zorg er dan voor dat ze ook weten hoe deze te gebruiken, hoe deze aan te passen en de nodige veiligheidsmaatregelen. De veiligheid van uw kind is uw verantwoordelijkheid.

Let op: In elkaar te zetten door volwassene

Belangrijk!

Berg de fresco op in een donkere plaats- blootstelling aan zonlicht voor langere perioden kan verkleuring veroorzaken en het verouderingsproces versnellen.

Sectie A: Basismontage (sectie a van de illustraties)

Draai/weerstandssluiting

BELANGRIJK!

De weerstandssluiting is ontworpen om de stoel vaster te zetten zodat deze niet meer vrij kan draaien. Volwassenen kunnen echter dan nog steeds de stoel draaien.

Inschakelen

Druk de metalen sluiting tegen de plastic kap aan. Check of deze goed dicht is door aan de stoel te draaien.

Uitschakelen

Open de metalen sluiting volledig. Check of deze goed open is door aan de stoel te draaien.

(#01 gasveer, #02 kap van de gasveer) Plaats de gasveer volledig in de kap van de gasveer (zorg ervoor dat de rem open is). Zet de rem weer vast. (zie illustratie a1)

Basis en kuip montage

(#01 gasveer, #03 bodemplaat, #02 kap van de gasveer) Plaats de gasveer in de bodemplaat en druk deze aan. Plaats dan de kap van de gasveer door het open slotje op de gasveerkap gelijk te houden aan de lijn op de bodemplaat. Draai tot deze op slot zit. U hoort een duidelijke click. In gesloten positie moet de lijn wijzen naar het 'dichte slot' teken. Controleer of de gasveer goed vastzit door deze op te tillen. Druk op het knopje bovenaan de gasveer om de gasveer omhoog te laten gaan.

Om los te maken tilt u het 'slide' knopje aan de zijkant van de gasveer op terwijl u deze draait tot het open slotje bij de lijn staat. Trek om deze te verwijderen.

(# 04 zitgedeelte) plaatst het zitgedeelte op de gasveer en draai de sluiting tegen de klok in. Check of de stoel goed vastzit door deze naar boven te trekken. (zie illustratie a2)

Draaien van de stoel en in hoogte verstellen

Om de stoel te draaien, open de weerstandssluiting, zet de stoel in de gewenste positie en sluit de weerstandssluiting.

NB: Sluit de weerstandssluiting als uw kind in de stoel zit.

Om de stoel in hoogte te verstellen: open de weerstandssluiting. Trek A & B tegelijk omhoog en duw tegelijk de stoel naar beneden tot de gewenste hoogte. Laat dan A& B los.

BELANGRIJK!

Zorg ervoor dat de kuip van de stoel stevig in de voet vastzit voor gebruik. Controleer dit door de stoel in hoogte te verstellen zoals beschreven in de handleiding. Als het in hoogte verstellen niet werkt, zit de kuip niet goed vast. Probeer opnieuw en duw de stoel/kuip stevig naar beneden. Hiermee activeert u het verstelmecanisme.

Tillen en verplaatsen- wietjes

Om de Fresco stoel te verplaatsen, draai de stoel zo dat de kuip naar voren staat. Sluit de rem/weerstandssluiting Til de achterkant van de stoel iets omhoog met het handvat achterop de kuip/stoel en duw de stoel naar voren op de wietjes die aan de voorkant onder de voet zitten.

WAARSCHUWING:

- **Pas de samenstelling van de fresco stoel steeds aan naar de meest gepaste versie voor uw kind. Volg daarvoor onderstaande instructies.**
- **De veiligheid van uw kind is uw verantwoordelijkheid.**
- **Voorkom blessures of overlijden door vallen of uit de stoel glijden.**
- **Zet uw kind altijd vast in de gordels.**

- Laat uw kind nooit zonder toezicht in de stoel.

Sectie B: Babystand – geschikt van 0 – 6 maanden (zie sectie b van de Illustraties)

WAARSCHUWINGEN:

- Gebruik de gekantelde stand niet meer zodra uw kind zonder hulp kan rechtop zitten.
- Gekantelde babystand is bedoeld voor kinderen met een gewicht van maximaal 9 kg / 20 lbs.
- Laat het kind nooit zonder toezicht wanneer de stoel in de babystand staat.
- Het kind moet in de babystoel altijd worden vastgezet met de 5-punts veiligheidsgordel in de ligstand.
- Het is gevaarlijk om deze stoel op een verhoging, bijv. een tafel, te zetten.
- Het product verwijderd houden van open vuur, verwarming en andere bronnen van sterke hitte.
- Het product alleen gebruiken als alle onderdelen correct zijn geplaatst en afgesteld.
- Zorg dat de gordel correct is afgesteld voor gebruik.
- De gekantelde stand is niet bedoeld om langdurig in te slapen.
- Het is gevaarlijk om deze babystoel op een verhoging te zetten.
- Deze gekantelde babystoel is geen vervanging voor een wieg of bed. Als uw

kind moet slapen, dan moet uw kind in een geschikt wiegje of bedje worden gelegd.

- Gebruik geen andere accessoires of vervangende onderdelen dan die door de fabrikant zijn goedgekeurd.
- Gebruik de gekantelde babystoel niet als er onderdelen kapot of kwijt zijn.
- Gebruik altijd het bevestigingssysteem.

Zitting en veiligheidsgordelbevestiging

- (#07 Grote zitting, #09 veiligheidsgordel) Steek de schouderbanden door de onderste gleuven van het rugdeel.
- Steek de heupbanden door de gleuven aan de midden/zijkant van de zitting.
- Plaats de zitting op de stoel. Druk deze stevig tegen het klittenband.
- (#04 kuip) Achter de zitting: schuif de gesp aan het einde van de schouderbanden door de houders aan de achterkant (binnenkant) van de stoel. (zie illustratie b2) Check of deze goed vast zitten door aan de banden te trekken.
- (#12 accessoirevakje) Achter de zitting: maak het klepje van het onderdelenvakje open dat u kunt vinden in het rugdeel van de stoel. Steek de gesp van de heupbanden door de gleuven aan de linker- en rechterkant. Check of de banden goed vastzitten door er aan te trekken.
- (#13 scharnierdoppen, #14 sluitclipje) Uit het onderdelenvakje haalt u de scharnierdoppen en het sluitclipje. Sluit het opbergvak.
- Schuif de scharnierdoppen in beide zijden van de ronde scharnieren. U hoort een duidelijke click.

- Plaats de lus aan het einde van de onderste band door de bovenste gleuf van het clipje uit het onderdelenvakje. Doe het losse gedeelte onder het clipje en schuif het clipje met de band in de stoel. De band mag niet gedraaid zijn om te voorkomen dat deze niet goed sluit. (zie illustratie b4)
- Verstel de veiligheidsgordels zo dat deze goed aansluiten bij uw kind.
- Om de scharnierdoppen te verwijderen, drukt u de knopjes onderaan de scharnieren in, terwijl u tegelijk de knoppen aan de zijkant van de scharnieren indrukt. (zie illustratie b3)

WAARSCHUWING:

Gebruik altijd de veiligheidsgordel.

Als u de zitting en de veiligheidsgordel wilt verwijderen voor reiniging volg dan de instructies uit het onderhoudsgedeelte van deze handleiding.

Gebruik en verstellen van de veiligheidsgordel:

- Sluiten van de veiligheidsgordel: Sluit de gordels door de clips aan het einde van de heupgordels samen en schoudergordels in de sluiting middenvoor te clicken. Als deze goed sluit hoort u een duidelijke click.
- De veiligheidsgordel losmaken: druk op de middelste knop. (zie illustratie b5)
- Pas de gordels zo aan dat deze goed aansluiten bij uw kind. Let daarbij ook op dat de heupgordel goed aansluit.

LET OP: Check elke keer dat u uw kind in de stoel zet of de positie van de zitting verandert of de veiligheidsgordels nog goed aansluiten bij uw kind.

Stoel hoogte/ kantelen

- Om de stoel in hoogte te verstellen opent u eerst de rem. Knijp de handels aan beide zijden van de scharnieren in terwijl u de stoel naar boven of onder instelt op de gewenste hoogte. Laat dan de handels los.
- U kunt de stoel/kuip kantelen naar de liggende positie door het handvat aan de achterkant van de kuip op te liften. Tegelijkertijd kantelt u de kuip naar de ligstand of middelste stand. Als deze in de juiste positie staat, laat u het handvat los. U hoort een duidelijke click als de zitting in de juiste positie staat. Check dit door de stoel te bewegen. Zorg ervoor dat de kuip van de Fresco stoel in de ligstand staat voor kinderen van 0 tot ca. 6 maanden; totdat het kind zelfstandig rechtop kan zitten. (zie illustratie b6).

WAARSCHUWING:

- **Kinderen die nog niet zelf rechtop kunnen zitten mogen alleen in de babyligstand/ kantelstand in de Fresco stoel. De kuip moet helemaal gekanteld zijn en de hoogte ingesteld op de laagste positie.**
- **Zorg ervoor dat uw kind uit de buurt is van bewegende delen als u de stand van de stoel aanpast.**

Sectie C: Peuterstand – geschikt van ca. 6 tot 36 maanden (zie sectie c van de illustraties)

⚠ WAARSCHUWINGEN:

- **WAARSCHUWING: DE VEILIGHEID VAN EEN KIND IS UW VERANTWOORDELIJKHEID.**
- **NOOIT UW KIND ZONDER TOEZICHT LATEN.**
- **GEBRUIK DEZE MODUS NIET VOORDAT HET KIND ZELFSTANDIG RECHTOP KAN ZITTEN**
- **GEBRUIK DIT PRODUCT NIET ALS HET BESCHADIGD IS OF ALS ER ONDERDELEN ONTBREKEN**
- **Pas op voor open vuur of andere hittebronnen in de nabijheid van dit product.**
- **WAARSCHUWING: Zorg ervoor dat de veiligheidsgordel goed vast en op maat is voor gebruik.**
- **Valgevaar: voorkom het klimmen op het product.**
- **Wees je bewust van het risico dat het product kan kantelen wanneer je kind zich met zijn voeten afzet tegen een tafel of een ander voorwerp.**
- **Altijd het veiligheidstuigje gebruiken.**
- **Laat uw kind nooit zonder toezicht in de stoel.**
- **Het product alleen gebruiken als alle onderdelen op de juiste manier zijn bevestigd en afgesteld.**
- **Zorg ervoor dat uw kind uit de buurt is van bewegende delen als u de stand van de stoel aanpast.**

- **Check regelmatig of de stoel onbeschadigd is en de veiligheidsgordel goed vastzit en werkt. Smeren van de stoel is niet nodig.**
- **Controleer steeds of de tafel goed vastzit door hieraan te trekken.**
- **LET OP: Check elke keer dat u uw kind in de stoel zet of de positie van de zitting verandert of de veiligheidsgordels nog goed aansluiten bij uw kind.**
- **In de peuterstand stelt u de stoel in op de rechtop positie.**

Installatie en verstellen van de voetsteun **BELANGRIJK!**



- Gebruik de voetsteun niet als opstapje.
 - Gebruik de voetsteun alleen voor kinderen tot 24 maanden.
- (#11 voetsteun) Schuif de voetsteun in de gleuf onderaan de kuip tot u een duidelijke click hoort. Controleer of deze goed vastzit door deze naar beneden te trekken.
 - Om de voetsteun te verwijderen drukt u op de knop bij het bevestigingspunt van de voetsteun en schuift u deze tegelijkertijd uit de kuip.
 - De voetsteun is in drie hoogten te verstellen. Druk op de knop aan de achterkant van de voetsteun en schuif tegelijkertijd de voetsteun in de gewenste positie. Als de voetsteun goed in de positie staat hoort u een duidelijke click. Controleer of deze goed vastzit door aan de voetsteun te trekken. (zie illustratie c1)

Zitting installatie

- volg de zitting en veiligheidsgordelbevestiging in sectie b.
- pas de gordels aan zodat deze steeds goed aansluiten bij uw kind.

Veiligheidsbeugel, zitting en veiligheidsgordel installatie

- (#10 veiligheidsbeugel) Plaats de uiteinden van de beugel in de openingen van beide scharnieren en click deze vast. U hoort een duidelijke click. (zie illustratie c4)
- Plaats de lus aan het einde van de onderste band door de bovenste gleuf van het clipje uit het onderdelenvakje. Doe het losse gedeelte onder het clipje en schuif het clipje met de band in de stoel. De band mag niet gedraaid zijn om te voorkomen dat deze niet goed sluit. (zie illustratie c5)
- Om de beugel te verwijderen drukt u de knopjes onderaan de scharnieren in, terwijl u tegelijk de knoppen aan de zijkant van de scharnieren indrukt. Als de bovenkant los is, drukt u op het knopje van het clipje middenvoor. (zie illustratie c4)

WAARSCHUWING:

Laat de beugel niet aan de stoel hangen, met alleen bevestiging tussen de benen. Maak, om breken van de beugel te voorkomen, deze altijd volledig los van de stoel.

Montage van de kleine tafel

- (#05 kleine tafel) Plaats de tafel in het midden van de beugel, kantel deze en druk de beide

zijanten vast. U hoort een duidelijke klik.

- De minitafel kan in de vaatwasser en is gemaakt van plastic dat voldoet aan de eisen van FDA mbt geschiktheid voor voedselcontact.
- Om de kleine tafel los te maken, verwijdert u deze van de zijanten en kantelt deze los.

montage van de grote tafel

- (#06 grote tafel) Druk de linker en rechterveren onderaan de eettafel tegelijk in, terwijl u de eettafel over de minitafel schuift. Laat de veren los zodra de tafel de juiste positie heeft bereikt. U hoort een duidelijke click. Controleer of de tafel goed vastzit door te proberen deze van de stoel los te trekken. (zie Illustratie c8)
- Om de eettafel te verwijderen volgt u deze stappen in omgekeerde volgorde.
- De eettafel is gemaakt van plastic dat voldoet aan de eisen van FDA mbt geschiktheid voor voedselcontact en roestvrijstaal, is verwijderbaar en vaatwasmachinebestendig.
- **LET OP:** Controleer regelmatig of de tafel goed vastzit door te proberen deze van de stoel los te trekken.

Hoogte van de kuip en kantelen van de stoel/kuip

- Om de stoel in hoogte te verstellen: open de weerstandssluiting/rem. Trek A & B tegelijk omhoog en duw tegelijk de stoel naar beneden tot de gewenste hoogte. Laat dan A & B los. Maak de weerstandssluiting dicht.
- De tafel kan in twee posities worden versteld

- In de peuterstand stelt u de stoel in op de rechtop positie.
- Om de kuip/stoel te verstellen van de rechte positie naar de eerste ligpositie knijpt u in het handvat aan de achterkant van de kuip terwijl u de kuip kantelt. Laat het handvat los. U hoort een duidelijke click. Controleer of deze goed in positie zit door de stoel te draaien.

Let op: met de tafel op de stoel kan de stoel alleen rechtop worden gebruikt. (zie illustratie c10)

WAARSCHUWING:

- De tafel is niet ontworpen om uw kind in de stoel te houden.
- De zitverhoger moet worden gebruikt in combinatie met de kleine tafel

Sectie D: Zitverhoger installatie

- (#09 veiligheidsgordel, #08 kleine zitting) Haal de schoudergordels door de gleuven in de kleine zitting op de gewenste hoogte
- plaats de zitverhoger op de stoel
- haal de heupgordels door de gleuven in de zitverhoger
- (#04 kuip, #12 opbergvakje) achter de kleine zitting schuift u de uiteinden van de schouderbanden in de houders achterin de rugleuning.
- Haal de riem tussen de benen bovenlangs door de opening onderaan de zitverhoger (zie illustratie d1 en d2)
- Open het opbergvakje achter de zitting. Schuif

de heupgordels door de gleuven aan beide zijden van dit vakje. Controleer of deze goed vastzitten door eraan te trekken.

- Sluit het opbergvakje (zonder beugel) schuif de lus aan het einde van de middengordel door de bovenste gleuf van het sluitclipje. Schuif deze dan in de kuip. De band mag niet gedraaid zijn om te voorkomen dat deze niet goed sluit (zie illustratie d5)
- Plaats de kleine zitting in de stoel en druk deze tegen de rugzijde van de stoel.
- Pas de gordel aan zodat deze goed aansluit bij uw kind.

WAARSCHUWING:

Gebruik altijd de veiligheidsgordels.

Sectie E: Kinderstand – geschikt voor kinderen van 36 maanden tot 36kg / 79lbs (zie sectie d van de Illustraties)

Zitting installatie

- (#12 opbergvakje) achter de zitting bevindt zich een opbergvak in de rugleuning van de stoel.
- (#13 scharnieroepjes, #14 sluitclipje) Uit het onderdelenvakje haalt u de scharnieroepjes en het sluitclipje. Sluit het opbergvak.
- Schuif de scharnieroepjes in beide zijden van de ronde scharnieren. U hoort een duidelijke click.
- schuif het sluitclipje in de stoel middenvoor (#07 grote zitting) Plaats de zitting op de stoel, druk deze stevig vast op het klittenband

Hoogte van de kuip

Om de stoel in hoogte te verstellen: open de weerstandssluiting. Trek A & B tegelijk omhoog en duw tegelijk de stoel naar beneden tot de gewenste hoogte. Laat dan A & B los. Maak de weerstandssluiting dicht.

WAARSCHUWING:

- In de kinderstand stelt u de stoel in op de rechtop positie.
- voetensteun moet verwijderd worden vanaf 2 jaar

Onderhoud en reinigen

Verwijderen van de zitting:

1. Verwijder de schouder en heupbanden door deze door de gleuven van de zitting te trekken.
2. Haal de zitting (en evt. zitverhoger) van de stoel.
3. Maak de veiligheidsgordel los van de stoel door de clip aan de voorkant uit de stoel te schuiven.
De zitting en het frame van de stoel kunnen nu gereinigd worden volgens onderstaande instructies:

WAARSCHUWING:

Het gebruik van schoonmaakmiddelen met alcohol of bleek kan vlekken en verkleuringen veroorzaken. Geadviseerd wordt om alleen middelen te gebruiken die geschikt zijn voor gekleurde stoffen voor verwijdering van vlekken uit de fresco zitting.

- **Let op:** Uitstekende delen van de zitting beschadigen vaak het eerste. Hou hier rekening mee als u de stoel verplaatst.
- Lichte vervuiling van de zitting kan verwijderd worden met een vochtige doek en wat milde zeep. Laat hangend drogen, niet in de wasdroger.
 - Alleen reinigen met een (licht) vochtige doek
 - Niet bleken - Niet in de wasdroger - Niet strijken - Niet uitwringen - Niet stomen
- De minitafel en de eettafel kunnen in de vaatwasser.
- Reinig de kunststof delen van de stoel met een vochtige doek. Gebruik geen schuurmiddelen of bleek.
- Plaats de kinderstoel niet in direct zonlicht omdat UV straling verkleuring kan veroorzaken. Witte producten verkleuren natuurlijk in de tijd en blootstelling aan zonlicht versnelt dit proces; dit is geen kwaliteitsgebrek.

Check List

- Controleer regelmatig of de veiligheidsgordels nog goed zitten en dat deze niet beschadigd zijn. Als de veiligheidsgordel beschadigd is adviseren wij een nieuwe te plaatsen. Voor meer informatie kunt u ons contacten via benelux@bloombaby.com.
- Controleer regelmatig of alle sluitingen schoon zijn en goed functioneren.

Consumentenservice

Als u vragen heeft of assistentie nodig hebt of niet tevreden bent met het product, neem dan contact op met bloom via benelux@bloombaby.com. U kunt ook onze website bloombaby.com bezoeken voor de meest recente productinformatie. Uw opmerkingen en feedback zorgen ervoor dat bloom steeds verbeteringen kan aanbrengen in haar producten.

Tak fordi du har valgt *fresco*™ som din barnestol - chrome er blooms nyeste generation af moderne stole.

VIGTIGT!
BEHOLD FOR
FREMTIDIG BRUG:
LØS GRUNDIGT
FØR DU SMALER OG
BRUGER PRODUKTET.

Venligst fjern alle indpaknings materialer før brug.

Anbefalet alder

Anbefales til brug fra nyfødt til 36kg / 79lbs

Produkt information

Denne barnestol er designet og testet for at sikre overholdelse af de nyeste og relevante globale sikkerhedsstandarder.

Denne barnestol er designet med flere konfigurationer for brug beregnet til børn og småbørn fra nyfødte til 36 kg / 79lbs:

- Tilbagelænet position; fra 0 til 6 måneder
- Højstol position – egnet til børn fra 6 – 36 måneder og op til 15 kg
- barnestol position: fra 36 måneder til 39kg / 79lbs

Model nr.: 10515

Reservedelsliste

- #01 Swivel-aksel
- #02 Swivel-aksel hylster
- #03 Base
- #04 sædeenhed
- #05 mini-bakke
- #06 mad-bakke
- #07 store sædepude (solgt separa)
- #08 lille sædepude (solgt separa)
- #09 sikkerhedssele (solgt separa)
- #10 Sikkerheds bar
- #11 fodstøtte
- #12 opbevaringsrum : del 13,14
- #13 bar vedhæftelse hætter
- #14 skridt dækning
- #15 booster sæde

Note: del #13 & #14 er installeret på del #4 som vist på billede.

Patentanmeldt

Farve og indhold kan variere

Instruktioner til sikker brug - læse omhyggeligt og opbevare til fremtidig reference

Korrekt brug og vedligeholdelse af din barnestol vil sikre problemfrit brug. Når andre bruger din barnestol skal du tilsikre, at de også ved hvordan man bruger den, hvordan man justerer den, og kende de nødvendige sikkerhedsforanstaltninger. Sikkerheden af dit barn er dit ansvar.

NOTE: Skal samles af en voksen

VIGTIG!

Vi anbefaler at du ikke opbevarer stolen i direkte sollys - eksponering af sollys i længere perioder, kan medføre falmende farver og fremskynde aldringsprocessen.

Afsnit A: Generel samling (se illustrationer sektion a)

Drejning/Højde modstands knap

VIGTIG!

Modstands knappen er konstrueret til at forhindre utilsigtet eller fri rotering, det er dog stadig muligt for en voksen at dreje sædet.

Aktivereing

Tryk metal håndtag indad, indtil det sidder plant med plasthuset. Kontroller modstanden ved at dreje sædet.

Frigøring

Træk metal håndtaget udad. Kontroller, at enheden er frakoblet ved at dreje sædet.

(# 01 Swivel- aksle, # 02 aksel hylster) Indsæt swivel-akslen hele vejen ind i akselhylsteret (sørg for at modstands knappen er frakoblet). Aktivere derefter modstands knappen. (se illustration a1)

Bund og sæde montering

(#01 Swivel-aksle, #03 basen, #02 aksle hylster) Monter Swivel-aksle på basen ved at justering lås-up mærkningen på basen til indikationslinjen markeret på Swivel- akslen. Drej indtil den er i låst position. Du vil høre et klik. I låst position skal indikationslinjen pege på ikonet 'låst'. Kontroller at Swivel-aksel er forsvarligt låst ved at løfte opad. Tryk på aksel knappen for at hæve Swivel-akslen.

For at afmonterer, løfte knappen på siden af Swivel-akslen, mens du drejer mod "lås up" ikonet på indikationslinjen. Træk op for at fjerne Swivel-akslen.

(#sædeenheden) Sæt sædeenheden på Swivel-akslen og spænd fastgørelse hæften ved at dreje den mod uret. Check at sædeenheden er sikret ved at trække sædet opad. (se illustration a2)

Swivel og højdejustering

Hvis du vil rotere sædeenheden, frigøre drejning/højde modstands knappen, og drej sædeenheden sidelæns indtil du opnår den ønskede position.

For at justere sædehøjden, frigøre drejning/ højde modstands knappen. Løft både udløser A & B samtidig med at du skubber nedad eller trækker opad til den ønskede højde er opnået,

og slip derefter de udløsende faktorer. (se illustration a3)

VIGTIG!

Sørg for, at sædeenheden er fastsat på Swivel-akslen før brug. Check at sædeenheden er samlet korrekt ved at prøve højdejustering, ved at følge instruktionerne i denne brugermanual. Hvis højdejustering ikke virker, betyder det sædeenheden ikke er monteret korrekt. Venligst prøv igen, og tryk sædeenheden fast nedad på Swivel-akslen for at aktivere højdeindstillingens mekanismer ordentligt.

Løft & Glid – Nemme glidehjul

Hvis du vil flytte barnestolen tværs over gulvet skal du først dreje sædeenheden, så den står med fronten udad, og aktiver derefter modstands knappen. Vip stolen fremad ved at løfte i håndtaget placeret på bagsiden af sædeenheden, og derefter glide højstolen tværs over gulvet ved hjælp af de hjul, som er placeret under den forreste del af basen. (se illustration a4)

ADVARSLER:

- Fortsæt med at samle barnestolen i henhold til den konfiguration som passer til dit barn. Følg anvisninger omhyggeligt.
- Barnets sikkerhed er dit ansvar.

ADVARSLER:

- Forhindre alvorlige skader eller dødsfald ved fald eller udglidning.
- Barnet skal altid være fastspændt.
- Efterlad aldrig barnet uden opsyn.

Section B: Skråstol Position

– Egnet fra 0 til 6 måneder (Se illustrationer afsnit B)

ADVARSLER:

- Brug ikke skråstol positionen, når dit barn kan sidde op uden hjælp.
- Skråstol positionen er beregnet til børn med en max vægt på 9 kg /20 lbs.
- Efterlad aldrig barnet uden opsyn, når barnestolen er i skråstol positionen.
- Barnet skal være sikret fastspændt i barnestolen på alle tidspunkter ved brug af 5-punkts sikkerhedssele når stolen er i den tilbagelænet stilling.
- Det er farligt at sætte denne skråstol på en forhøjet overflade, fx et bord.
- Hold produktet væk fra åben ild, varmeapparater og andre kraftig varme kilder.
- Brug ikke produktet, medmindre alle dele er monteret og justeret korrekt.
- Sørg for, at selen er monteret korrekt før brug.
- Skråstolen er ikke beregnet til at sove i, i længere perioder.
- Det er farligt at sætte denne barnestol på en forhøjet overflade.
- Skråstolen erstatter ikke en barneseng eller en seng. Skulle dit barn have brug for at sove, skal dit barn anbringes i en passende vugge eller seng.
- Brug ikke tilbehør eller reservedele som ikke er godkendt af producenten.

- Brug ikke skråstol positionen hvis nogle komponenter er i stykker eller mangler.
- Brug altid sikkerhedssele.

Installation af sædepude & sikkerhedssele

- (# 07 sædepude, # 09 sikkerhedssele) Træk skulderstropperne gennem sprækkerne sædepudden i den lavere højdeindstilling.
- Put hofseselerne gennem sprækkerne på sædepudden.
- Placer sædepudden på sædeenheden; sikre den med velcro. (se illustration b1)
- (# 04 sædeenhed) Bag på sædepudden, skub enden af spændet fra selen ind i spænde sprække placeret på den indvendige side af sædeenheden. Tjek at stropperne er sikret ved at trække i dem . (se illustration b2)
- (# 12 opbevaringsrum) Bag sædepudden. Åbn opbevaringsrummet placeret på den indvendige side af sædeenheden. Skub enden af spændet på hofseselerne ind i spænde sprækken på hver side af opbevaringsrum. Tjek at stropperne er sikret ved at trække i dem.
- (# 13 bar vedhæftelse hætter, # 14 skridt dækning) Fra opbevaringsrum, tag de to bar vedhæftelse hætter og skridt dækningen. Luk dækslet.
- Sæt bar vedhæftelse hætterne på hver side af sædeenheden; du vil høre et hørt klik.
- Træk løkken på enden af skridt-remmen gennem det øverste hul i skridt-rem dækslet, og skub derefter dækningen ind i sædeenheden. Dette vil sikre en korrekt låsning af selen. Stroppen og spænde må

ikke vrides eller vendes forkert. (se illustration b4)

- For at fjerne bar vedhæftelse hætterne, skal du trykke på og holde knappen under de to side kupler, og tryk derefter på knappen på side af kuplen for at frigøre låsen. Tryk derefter på knappen på skridt dækningen og fjern den fra sædeenheden. (se illustration b3)

ADVARSLER:

Brug altid sikkerhedssele

For rengøring af sædepudden & sikkerhedssele, skal du følge anvisningerne under pleje og vedligeholdelse i denne brugervejledning.

Anvendelse og justering af selen

- For at låse selen, skubbe enderne af hofseselen, forbundet med enderne af skulderstropper, ind i spændet på skridtremmen.
- For at låse selen op skal du trykke på knappen i miden . (se illustration b5)
- Justér længden af selestropperne indtil de sidder tæt omkring dit barn.

NOTE: Hver gang du placerer dit barn i barnestol eller når du ændrer positionen på sædet kontrollerer altid , at selen er korrekt monteret. Spænd selen, indtil den sidder tæt omkring dit barn.

Sæde højde/ Sæde tilbagelægning

For at justere sædehøjden, frigøre drejning/ højde modstands knappen. Løft både A & B samtidig med, at du skubbe nedad eller trække opad til den ønskede højde er opnået, og slip derefter de udløsende faktorer.

Indstil sædet i skråstol positionen ved at trække i håndtaget på bagsiden af sædet, og indstil sædet til den laveste position, og slip derefter håndtaget. Du vil høre et højt klik. Kontroller at sædet er låst i position ved at flytte det. Sørg for, at sædet er tilbagelænet i den lavet skråstol position for børn fra nyfødt op til ca 6 måneder, indtil barnet kan sidde op uden hjælp. (se illustrationen B6)

ADVARSLER:

Børn, der ikke kan sidde op uden støtte kan kun bruge skråstol positionen på denne barnestol. Sædet skal være lænet tilbage i den laveste position. Brug altid sikkerhedssele. Altid være sikker på dit barn er fri af bevægelige dele, før du foretager eventuelle justeringer.

Afsnit C: Højstol position – velegnet til 6-36 måneder (se illustrationer af punkt c)

ADVARSLER:

- Barnets sikkerhed er dit ansvar.
- Lad aldrig barnet være uden opsyn.
- Brug ikke højstolen, før barnet kan sidde op uden støtte.
- Produktet må ikke anvendes, hvis dele er i stykker, iturevne eller mangler
- Højstol positionen er beregnet til børn fra omkring 6 måneder (skal være i stand til at sidde op uden hjælp) til kun 36 måneder. Brug altid sikkerhedsselen.
- Bakken er ikke designet til at holde barnet i stolen. Det anbefales at stolen kun benyttes i oprejst position af børn der er i stand til at sidde oprejst uden hjælp. Barnet skal være fastspændt i barnestolen på alle tidspunkter med 5-punkts sikkerhedsselen i opretstående stilling.
- Vær opmærksom på risikoen ved åben ild og andre stærke varmekilder i nærheden af produktet.
- Brug ikke produktet, medmindre alle dele er korrekt monteret og indstillet.
- Risiko for faldulykker: Sørg for, at dit barn ikke kravler på produktet.
- Vær opmærksom på risikoen for, at stolen tipper, når dit barn kan skubbe med fødderne mod et bord eller andre genstande.
- Brug altid sikkerhedsselen.
- Sørg for, at sele er monteret korrekt før brug.
- Sørg altid for, at højstolen er på et jævnt, stabil overflade før brug.
- Du skal altid være sikker på at dit barn er fri af højstolens bevægelige dele, inden du foretager justeringer.
- Kontroller højstolen regelmæssigt for skader og sikre, at selen er sikker og monteret korrekt. Det er ikke nødvendig med smøring .
- Kontroller at bakken er sikkert låst på plads ved at forsøge at trække den fri af højstol.
- VIGTIGT: Hver gang du placerer dit barn i højstolen eller når du ændre positionen af sædet, kontroller altid, at selen er korrekt monteret. Spænd selen så den sidder tæt omkring dit barn.
- De fleste ulykker forårsaget af højstole sker på grund af fald.
- Placer højstolen i afstand fra solide strukturer og bænke for at undgå skader som følge af fald og adgang til farlige genstande
- Hold højstolen væk fra møbler, vægge, varme overflader og væsker, vinduer, elektriske ledninger og placer højstolen væk fra andremøbler, når stolen ikke er i brug ved et bord med bakke fjernet
- I højstol position skal sædet altid være justeret til den lodrette opretstående stilling.

Fodstøtte montering og Fodstøtte Justering

VIGTIGT!



- Brug IKKE fodstøtten som afsætning til at komme op i stolen.
- Velegnet til brug i op til 24 måneder.

- (# 11 fodstøtte) Skub fodstøtte, indtil du hører et tydeligt klik. Tjek at fodstøtten er sikret ved at trække den nedad.
- For at fjerne fodstøtte, skal du trykke på knappen på enden af fodstøtte der er fastgjort til sædeenheden, og samtidig skub fodstøtten ud af særeneheden.
- Fodstøtten har tre højdeindstillinger. Tryk på knappen på bagsiden af fodstøtte og skub fodstøtte op eller ned til den ønskede position er opnået. Fodstøtten er låst i position, når du hører et klik. Kontroller at fodstøtten er sikret ved at trække den nedad. (se illustrationen C1)

Installering af sædepude.

- Se "For at installere sædepuden & selen" i afdeling B.
- Justér længden af selestropperne indtil de passer fast omkring dit barn.

Installering af sikkerhed bar, sædepude & sikkerhedssele.

- (# 10 sikkerhed bar) Indsæt begge ende af sikkerheds baren i sprækken som findes på begge sider af sædeenheden. Du vil høre et højt klik. (se illustrationen C4)
- Træk lækken på enden af skridt-remmen

gennem det øvre hul i skridt-rem dækningen og skub derefter dækningen ind i sædeenheden. Dette vil sikre korrekt låsning af selen. Stroppen og spænde må ikke vrides eller vendes om. (se illustrationen c5)

- For at fjerne Sikkerheds baren, trykke på og holde knappen under de to side kupler, og derefter trykke på knappen på side på kuppelen for at frigøre låsen. Tryk derefter på knappen på skridt dækningen og fjern fra sædeenheden. (se illustrationen C4)

⚠ ADVARSLER:

For at undgå sikkerhedsbøjlen går i stykker - lad ikke sikkerhedsbøjlen hænge frit, med kun hoftebøjlen fastsat på stolen

Mini-bakke montering

- (# 05 mini-bakke) Lås krogen placeret i bunden af mini-bakken til sikkerheds baren, mens du dreje bakken nedad.
- Lås mini bakken på plads ved at trykke ned på venstre og højre arm af bakken. Du vil høre et hørt klik. (se illustrationen C7)
- For at fjerne mini-bakken, skal du blot bytte om på rækkefølgen af ovenstående.
- Mini-bakken er opvaskemaskine venlig, og er lavet af plast som er FDA godkendt til at komme i kontakt med fødevarer.

Mad-bakke montering

- (# 06 madskuffe) Klem venstre og højre udløser placeret under mad-bakken samtidigt, mens du skubber mad-bakken henover mini-

bakke, og slip derefter udløserne når du har opnået den ønskede indstilling. Du vil høre et hørt klik. Kontroller at mad-bakken er låst på plads ved at forsøge at trække det fri af højstol. (se illustrationen C8)

- Mad-bakke kan låses i to positioner.
- For at justere bakken skal du træk venstre og højre side udløser som placeret under bakken samtidig, mens du skubber bakken fremad eller tilbage. Frigiv udløserne når den ønskede indstilling er opnået. Du vil høre et højt klik. Kontroller at mad-bakken er låst på plads ved at forsøge at trække det fri af højstol.
- For at fjerne mad-bakken, skal du blot bytte om på rækkefølgen af ovenstående.
- Mad-bakken er opvaskemaskine venlig, og er lavet af rustfrit stål og plast som er FDA godkendt til at komme i kontakt med fødevarer.

BEMÆRK: Kontroller altid at bakken er låst på plads ved at forsøge at trække den fri af højstolen.

ADVARSEL:

Bakken er ikke designet til at holde barnet i stolen.

Sædeenheds højde og Sædeenhed positioner

- For at justere sædehøjden, frigøre drejelige / højde modstands knappen. Løft begge A & B udløser samtidigt, mens du skubber nedad eller trække opad til den ønskede højde er opnået, og slip derefter de udløsende faktorer.

- I højstol position skal sædet altid være justeret til den lodrette opretstående stilling.
- Indstil sædet enheden til lodret oprejst position ved at trække i håndtaget på bagsiden af sædeenheten udad, derefter hæve sædet opad til den højeste position, og slip derefter håndtaget. Du vil høre et hørbart klik. Kontroller at sædeenheten er låst i position ved at flytte det. (se illustrationen C9)

BEMÆRK: Sædeenheten kan kun være i den opretstående stilling med mini-bakken eller mad-bakke installeret. (se illustrationen C10)

Afsnit D: booster sæde Installation

- (# 09 sikkerhedssele, # 08 lille sædepude) Sæt skulderstropper gennem den lille sædepudes sprækker i den ønskede højde.
- træk hofteselerne gennem den lille sædepudes side sprækker.
- (# 04 sædeenhed, # 12 opbevaringsrum) Bag sædepuden skubbes spændet på enden af skulderstropperne ind i spænde sprækken som er placeret på indvendige side af sædeenheten. (se illustrationen D1)
- Før skridt-remmen gennem den øvre åbning ned til den nedre åbning af booster sædet. Når skridt-remmen skla fjernes fra booster sædet, være opmærksom på den løse ende af remmen som skal placeres under booster sædet. (se illustrationen d2)
- Bag sædepuden, åbne opbevaringsrummet placeret på den indvendige side af sædeenheten. Skub spændet på enden

af hofteselerne ind i spænde åbninger på begge sider af opbevaringsrummet. Tjek at stropperne er sikret ved at trække i stropperne. (se illustrationen D4)

- Luk dækslet.
- (Med sikkerhed bar) Sæt løkken på enden af skridt-remmen gennem det øverste hul i skridt-rem dækningen, og derefter sætte den løse ende under bunden på skridt dækningen. Skub den derefter ind i sædeenheden. Stroppen og spænde må ikke vrides eller vendes udad. Dette vil sikre korrekt låsning af selen. (se illustrationen D5)
- Placer booster sædet i sædeenheden, og tryk derefter den ind mod ryglænet.
- Tjek at stropperne er sikret ved at trække i stropperne.
- Justér længden af selestropperne indtil de sidder tæt omkring dit barn.

ADVARSEL:

- **Brug altid sikkerhedssele.**
- **Booster sædet skal anvendes i forbindelse med mini-bakken**

Afsnit E: Barnestol position – velegnet til 36 måneder til 36 kg / 79 lbs (se illustrationer sektion e)

Sædepude montering

- (# 12 opbevaringsrum) bag sædepudden, kan du åbne opbevaringsrummet som er placeret på den indvendige side af sædeenheden.
- (# 13 bar vedhæftelse hætter, # 14 skridt dækning) Fra opbevaringsrummet, tage de to bar vedhæftelse hætter og skridt-rem dækningen. Luk dækslet.
- (# 07 sædepude) Placer sædepudden på sædeenheden; sikker den med velcro. (se illustrationen e1)
- Klik bar vedhæftelse hætterne på hver side af sædeenheden; du vil høre et hørt klik.
- Skub skridt-rem dækningen ind i sædeenheden. (se illustrationen E2)

Sædeenhedens højde

For at justere sædehøjden, frigøre drejelige / højde modstands knappen. Løft begge A & B udløser samtidigt, mens du skubbe nedad eller trække opad til den ønskede højde er opnået, og slip de udløsende faktorer. (se illustrationen e3)

ADVARSEL:

- **Når stolen er indstillet til børn mellem 1 og 4 år skal sædet altid indstilles til lodret position**
- **Fodhviler skal fjernes før barnestol position**

Pleje & Vedligeholdelse

Fjernelse af barnestolens store og lille sædepude.

1. Fjern skulder og talje stropperne fra sædeenhed. Træk stropperne gennem sædets sprækker, indtil de er fri af sædepudden.
2. Fjern sædepudden fra barnestolen.
3. For at fjerne hele sikkerhedsselen skal du løsne skridt-remmen ved at skubbe skridt dækningen ud af sædeenheden. Sædepudden og stole rammen kan nu rengøres efter anvisningerne på sædepuddens vaskeanvisning.



ADVARSEL:

Brug af effektiv desinfektionsmiddel, for eksempler rengøringsmidler med alkohol eller klorindhold, kan medføre blegning og misfarvning. Vi anbefales derfor at bruge rengøringsmidler specielt designet til farvede stoffer til at pletrense frescos sædepude.

Bemærk:

- Udsatte kanter på både den lille og store sædepude er ofte de første til at blive flosset. Husk dette, under opbevaring eller transport din barnestol.
- Let tilsmudsning af både den lille og store sædepude kan fjernes med en fugtig svamp og mildt rengøringsmiddel. Hæng til tørre. Må ikke tørre tumbles.
- Både mini-bakke og mad-bakken er opvaskemaskine venlig.

- Rengøre højstolens plastikdele med en fugtig klud; Brug ikke slibemidler eller blegemiddel.
- Udsæt ikke barnestolen for direkte sollys i længere tid af gangen.

Tjekliste

- Kontrollér regelmæssigt, at sikkerhedsselen er monteret korrekt, og at materialet ikke er blevet flosset eller beskadiget. Hvis selen er beskadiget, anbefaler vi, at en ny monteres. For mere information kontakt os via email på service@bloombaby.com.
- Kontrollér regelmæssigt, at alle låseanordninger er rene og fungerer korrekt.

Eftersalgsservice

Når du modtager dit bloom produkt, og har brug for assistance, reservedele, eller hvis du er utilfreds med en del af varen kan du kontakte bloom via email på service@bloombaby.com. Vores uddannede rådgivere vil være i stand til at hjælpe. Du kan også besøge vores hjemmeside på bloombaby.com for de seneste oplysninger om produktet.

Din feedback og input gør at bloom kan fortsætter med at foretage forbedringer. Send venligst dine kommentarer om dette produkt til service@bloombaby.com.

bloom

bloombaby.com

designed by bloom in paris, made in china / designé par bloom à paris, fabriqué au chine /
diseñado por bloom en paris, hecho en china / entworfen bei bloom in paris, hergestellt in china /
design bloom di parigi, fatto in china / ontworpen door bloom in parijs, geproduceerd in china /
designed af bloom l paris, produceret l kina

bloom, 231 west 19th street, new york, ny 10011, usa
toll free +1 800 399 9331

bloom, milner house, 14 manchester square, london, w1u 3pp
bloom, 31/328 reserve road, cheltenham, vic, 3192 australia
bloom (vt bv), willem arntszlaan 115, 3734ee den dolder, nederland

copyright © bloom 2020, all rights reserved