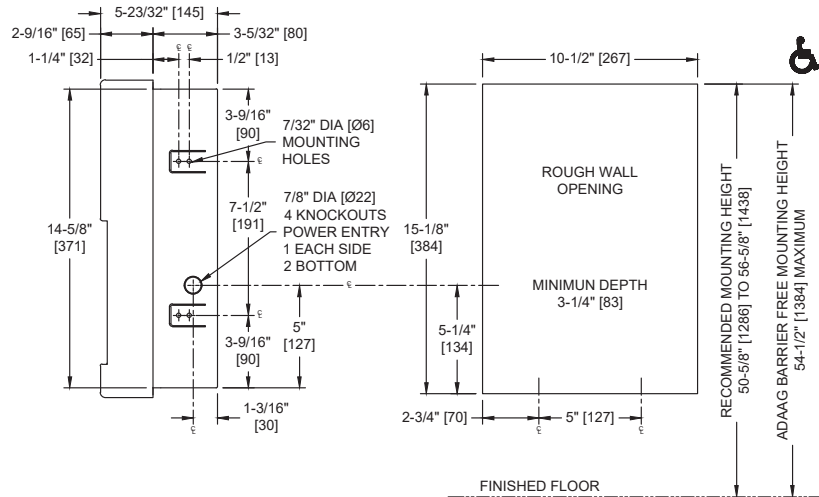
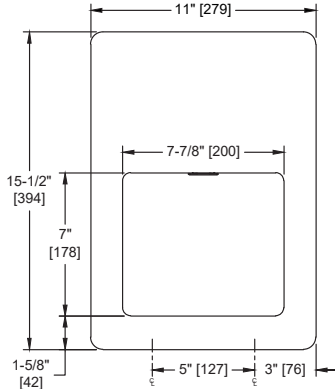


Roval™ High Speed Automatic Hand Dryers – Semi-Recessed

Hand Dryers

Roval™ Dryer

MasterFormat Section 10 28 13



NOTE:
ALL DIM'S INCH [MM]
ILLUSTRATION FOR REF ONLY AND NTS
FOR CLEANING INSTRUCTIONS SEE APPROPRIATE SECTIONS IN
PRODUCT CARE & MAINTENANCE BULLETIN (PCM) ON ASI WEBSITE

Scan for Information



SUSTAINABILITY/LEED

MR 4.1 (1) EQ 4.1 (1) EA p2 (0) EA
MR 4.2 (1) EQ 4.2 (1) 1 (1-19)
MR 6 (1) EQ 4.4 (1)

PRODUCT OVERVIEW

This high performing hand dryer, with a drying time of less than 15 seconds, has a cover made of 18 gauge stainless steel and uniquely complements the Roval™ Collection with its bowed face and gently radiused edges. 5-year warranty. Optional voltages available.

KEY FEATURES & SPECIFICATIONS

- Curved Face - High Speed / <15 Sec. Dry Time
- 66 dB-A
- Type 304 Stainless Steel - Satin Finish
- ADA compliant
- Semi-Recessed - "Touch Free" Operation
- High Speed
- 18 gauge cover. 20 gauge cabinet

OPERATION & MAINTENANCE

Automatic "No-Touch"
 Activates dryer by placing hands under sensor. LED in sensor array shines blue light during operation to guide user to optimal hand placement for shorter drying time. Dryer automatically shuts off after time-out (Hold On) when user removes hands from sensor zone. Dryer automatically shuts off after time-out if unit is purposefully kept operating for longer than normal drying time (e.g. vandalism).

TECHNICAL INFORMATION / PRODUCT PROPERTIES

Property	Value							
Dimensions	11" x 15-1/2" x 5-23/32" [279 x 394 x 145]							
Construction	Type 304 Stainless Steel - Satin Finish							
Mounting	Semi-Recessed							
Electrical	Choice of 110-120V / 208/-240V / 277V AC							
Motor	HP	RPM (x1000)	Fan Type	Airflow	Heating Element	Air Output Temperature	Timing	Drying Time
Brush Type Dual Ball Bearings	0.67	29	Single Inlet Centrifugal with Patented Flow Control	60 CFM (102 m3/h)	Nichrome wire with auto reset circuit breaker	131o F ± 5 @ 77o F (55o C ± 2.8 @ 25o C) Ambient room temp	Automatic 60 second Shut-Off	Less Than 25 Seconds

INSTALLATION

Mount unit cabinet in wall recess with four (4) # 10 [M5] screws (not supplied) into suitably prepared mountings (by others) or other suitable mounting hardware (by others) to suit wall conditions. For masonry walls use expansion bolts or anchors for 1/4" [M6] screws. See unit diagram for electrical service cable rough-in location. Electric service of 100-240VAC 20A 50/60 Hz (provided by others) is brought to RWO at location for dryer indicated on diagram above and is hooked up (by others) in accordance with schematic and Owner's Manual provided with unit. Electrical service is supplied and connected (by others) prior to installing cover. Cover is secured to cabinet with two (2) concealed pin-hex socket button head security screws (supplied). For compliance with ICC/ANSI A-117.1-2003 and 2010 ADA Accessibility Standards install unit with top of dryer hand chamber 48" [1219] maximum Above Finished Floor (AFF) if clear floor reach access is provided or 46" [1168] max AFF if side reach access over an obstruction (e.g. vanity) with reach depth greater than 10" [254] and less than 25" [508] is only provided or 44" [1118] max AFF if forward reach over an obstruction (e.g. vanity or commode) with reach depth greater than 20" [508] and less than 25" [635] is only provided. For general utility install unit so that top of dryer hand chamber is 44" [1118] to 50" [1270] AFF. Note that top of RWO is 3/8" [10] below top of unit. For installation of two or more dryers, dryers should be no closer than 24" [610] on center. RWO required is 10-1/2" [267] W x 15-1/8" [384] H x 3-1/4" [83] D Min

OPTIONS

Voltage
 20199-1 – 120 VAC - 50/60 Hz - 10.42 A (Max.) - 1250W
 20199-2 – 240 VAC - 50/60 Hz - 5.21 A (Max.) - 1250W

WARRANTY

Five (5) Years from date of Invoice