



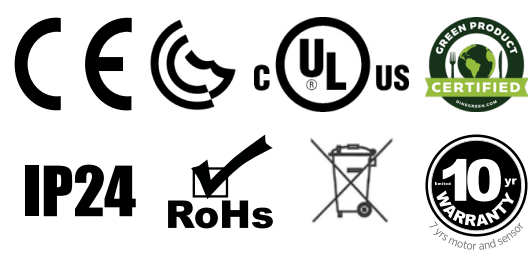
# SMARTdri® Series

## WORLD DRYER Intelligent High-Speed Energy Efficient Hand Dryers

SMARTdri® Series features high-speed, energy efficient, durable, hygienic hand dryers with flexible controls. A compact design is combined with an extended life motor to withstand high-demand environments. The intelligent, flexible controls allow customizing of airflow, sound quality, and heating options to fit any application.

### Product Benefits

- 10 second dry time
- Energy efficient utilizing only 12% energy of traditional dryers and up to 50% less energy than competitive high-speed hand dryers.
- Intelligent on/off heating and 3-speed motor controls optimize energy efficiency and user comfort
- Extended life motor with 2-3 times longer service life than competitive high-speed dryers
- Offers two Nozzle options:
  - SMARTdri Plus - high-intensity single-port nozzle
  - SMARTdri - multi-port nozzle for user comfort
- Antimicrobial technology protects the treated surfaces on the dryer by inhibiting the growth of bacteria, mold and fungus that can cause stains, odors or deterioration
- IP24 protection against harmful water ingress
- Automatic operation



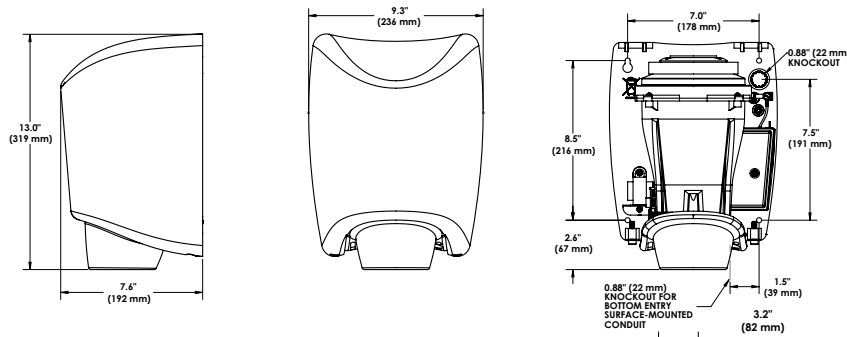
PERFORMANCE		
	SMARTdri Plus	SMARTdri
Dry Time:	10 seconds	10 seconds
Nozzle Type:	Single Port Nozzle	Multi-Port Nozzle
Air Velocity:	250 mph (22,000 LFM)	265 mph (23,320 LFM)
Air Flow:	78 CFM	100 CFM
Air Temperature: (at 70° room temperature)	140°F	110°F
Sound @ 79 in (2 m)*	68 dBA	69 dBA

ELECTRICAL	
Voltage:	Available in 120 V and 240V models
Power:	400 - 1200 Watts
Frequency:	50 / 60 Hz
Recommended Circuit:	Dedicated 15 Amp

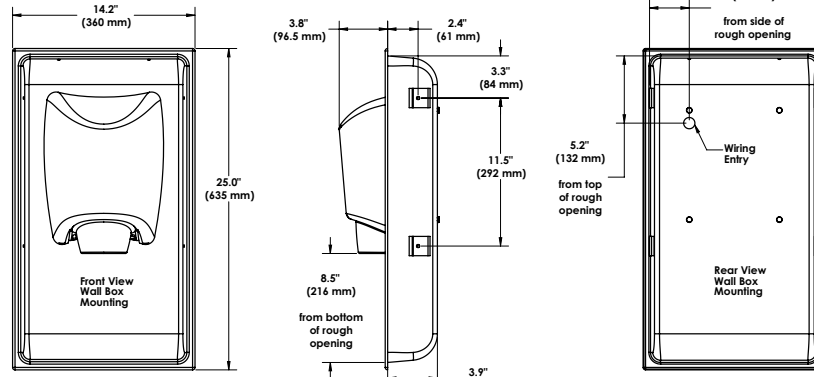
\* Sound measured at 79 in (2 m) in semi-anechoic chamber.

CONSTRUCTION	
Cover Options (Material / Finish)	Aluminum (White, Black) Stainless Steel (Brushed and Polished Finish)
Motor	Thermally-protected universal type, through-flow discharge vacuum type, 1.07 HP, 23,400 RPM
Heating Element	Nichrome wire construction, 400 watts, with auto-reset thermal-protector, so power is disconnected if the air is not flowing
Electronic Controls	Dedicated voltage (120 and 240 V)
Activation	Automatic touch-free infrared activation with a 30-second vandal-resistant lockout feature
Enclosure Security	Cover attached with tamper-resistant screws; security wrench included.
Electrical Connection Access	Access for wall mounted junction box and for bottom-entry surface mounted conduit
10 Year Limited Warranty	Warranted by the manufacturer to be free from defects in material workmanship for a period of ten (10) years from the date of purchase. Models sold outside North America warranted for (5) years. See warranty statement for limitations and exclusions.

### Surface Mounted



### Recess Mounted



**Rough Opening**  
13-7/16"  
x  
24-1/16"

### Placement Instruction

- Hand dryers should be spaced at least 2 feet apart, near but not over the washbasin
- In congested areas, dryers should be located to create a flow from wash basin to dryer to exit
- SMARTdri Series should be mounted at least 18" above or away from reflective surfaces, which may interfere with the automatic sensor operation.
- Dryer Quantity Recommendation:
  - Average Traffic: 1 dryer per 2 wash basins
  - Heavy Traffic: 1 dryer per wash basin
  - Industrial 54" Circular wash fountains: 4 dryers per sink

- Recommended mounting heights from floor to dryer bottom edge

Men's washrooms	46" (117 cm)
Women's washrooms	44" (112 cm)
Children's washrooms, ages 4-7	32" (81 cm)
Children's washrooms, ages 7-10	36" (91 cm)
Children's washrooms, ages 10-13	40" (102 cm)
Children's washrooms, ages 13-17	44" (112 cm)
Handicap Mounting Height	37" (94 cm)

### Installation Guide

- SMARTdri Series hand dryers require a dedicated circuit and must be properly grounded.
- GFI circuit protection is recommended.
- One side of dryer should be mounted to a stud

### SmartDri Plus Hand Dryer

Cover Finish / Kit	Activation	Mounting	110-120V	208-240V	220-240V CE (Europe)	Unit Size (HxWxD) inch/mm	Shipping Size (HxWxD) inch/mm	Shipping Weight
Polished S/S	Automatic	Surface	K-972P2	K4-972P2	K48-972P2	12.5" x 9.3" x 7.6" 319 mm x 236 mm x 192 mm	14.7" x 11.4" x 10.8" 375 mm x 290 mm x 275 mm	14.4 lbs / 6.5 kgs
Brushed S/S	Automatic	Surface	K-973P2	K4-973P2	K48-973P2	12.5" x 9.3" x 7.6" 319 mm x 236 mm x 192 mm	14.7" x 11.4" x 10.8" 375 mm x 290 mm x 275 mm	14.4 lbs / 6.5 kgs
Aluminum White	Automatic	Surface	K-974P2	K4-974P2	K48-974P2	12.5" x 9.3" x 7.6" 319 mm x 236 mm x 192 mm	14.7" x 11.4" x 10.8" 375 mm x 290 mm x 275 mm	13.2 lbs / 6 kgs
Aluminum Black	Automatic	Surface	K-162P2	K4-162P2	K48-162P2	12.5" x 9.3" x 7.6" 319 mm x 236 mm x 192 mm	14.7" x 11.4" x 10.8" 375 mm x 290 mm x 275 mm	13.2 lbs / 6 kgs

### SmartDri Hand Dryer

Cover Finish / Kit	Activation	Mounting	110-120V	208-240V	220-240V CE (Europe)	Unit Size (HxWxD) inch/mm	Shipping Size (HxWxD) inch/mm	Shipping Weight
Polished S/S	Automatic	Surface	K-972A2	-	K48-972CE2	12.5" x 9.3" x 7.6" 319 mm x 236 mm x 192 mm	14.7" x 11.4" x 10.8" 375 mm x 290 mm x 275 mm	14.4 lbs / 6.5 kgs
Brushed S/S	Automatic	Surface	K-973A2	K4-973A2	K48-973CE2	12.5" x 9.3" x 7.6" 319 mm x 236 mm x 192 mm	14.7" x 11.4" x 10.8" 375 mm x 290 mm x 275 mm	14.4 lbs / 6.5 kgs
Aluminum White	Automatic	Surface	K-974A2	K4-974A2	K48-974CE2	12.5" x 9.3" x 7.6" 319 mm x 236 mm x 192 mm	14.7" x 11.4" x 10.8" 375 mm x 290 mm x 275 mm	13.2 lbs / 6 kgs
Aluminum Black	Automatic	Surface	K-162A2	K4-162A2	K48-162CE2	12.5" x 9.3" x 7.6" 319 mm x 236 mm x 192 mm	14.7" x 11.4" x 10.8" 375 mm x 290 mm x 275 mm	13.2 lbs / 6 kgs