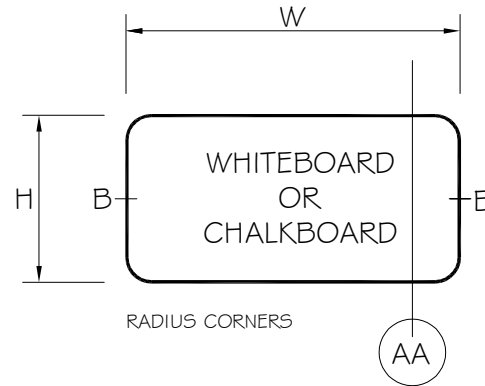


ELEVATION:



**NOTE:**  
 FOR BOARDS UP TO 8' 0" WIDE 3 CLIPS FOR BOTH TOP + BOTTOM WILL BE PROVIDED, THEY MUST BE FASTENED INTO DRYWALL STUDS OR INTO CONCRETE USING PLASTIC PLUGS.  
 FOR BOARDS 8' 0" TO 12' 0" THESE REQUIRE 4 L CLIPS FOR BOTH TOP + BOTTOM.

**ALUMINUM TRIM:**  
 SERIES 9100 "PRE-FRAMED". FINISH TO BE CLEAR ANODIZED.

**DESCRIPTION:**  
 9100 SERIES "PRE-FRAMED" WITH SLIM TRIM 4 SIDES.

**PRODUCT CODE:**

91	01	05	YXX	XXX
SERIES	BOARD	TRIM	SIZE	COLOR

**SIZE CODE:**

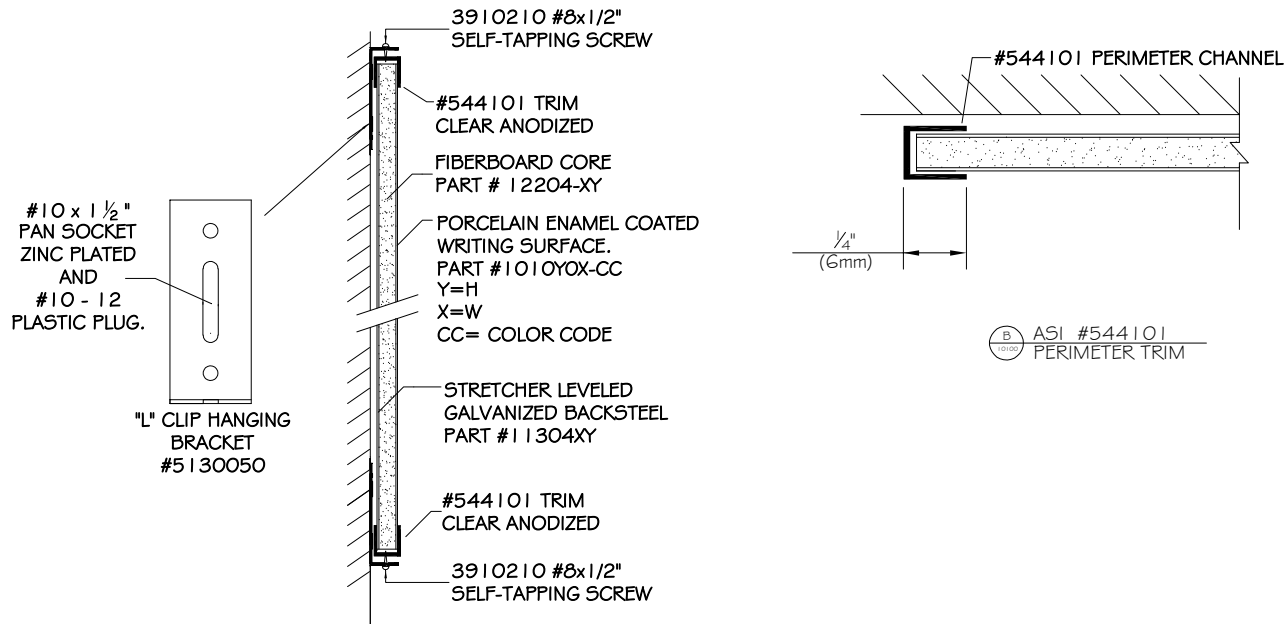
203 - 2'(H) X 3'(W)	504 - 5'(H) X 4'(W)
304 - 3'(H) X 4'(W)	506 - 5'(H) X 6'(W)
404 - 4'(H) X 4'(W)	508 - 5'(H) X 8'(W)
406 - 4'(H) X 6'(W)	510 - 5'(H) X 10'(W)
408 - 4'(H) X 8'(W)	512 - 5'(H) X 12'(W)
410 - 4'(H) X 10'(W)	
412 - 4'(H) X 12'(W)	

**COLOR CODE:**

29 - WHITE HIGH GLOSS
29L - WHITE LOW GLOSS
11 - CHALK BLACK
06 - CHALK GREEN

SECTIONS:

SECTION AA



NOTES AND/OR APPROVAL



2210 Dunwin Drive  
 Mississauga, Ontario L5L 1C7  
 Phone: (905) 822-4287  
 www.asi-visualdisplayproducts.com  
 estimating@asi-visualdisplayproducts.com

PROJECT NAME & LOCATION:

ARCHITECT:

CONTRACTOR:

F:\ACADR\14\FILENAME

PAGE NO.  
1 OF 1

DRAWN BY:  
J. UGARTE

DATE:  
07 NOVEMBER 2019