

TS0142

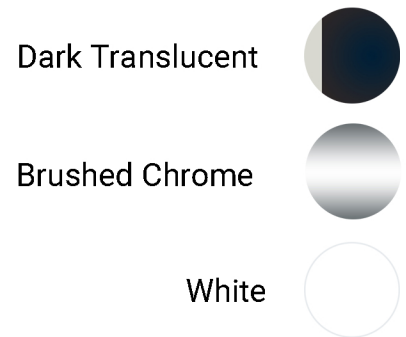
Toilet Seat Cover Dispensers



FEATURES

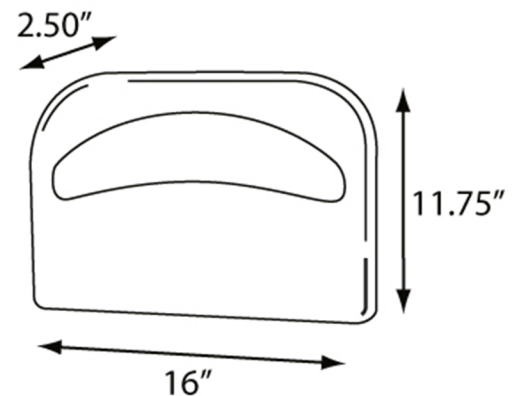
- Easy to use and install
- Improves hygiene in your facility
- Designed for half fold toilet seat covers
- Only one seat cover is dispensed at a time to help prevent waste
- Choose from heavy duty plastic or metal construction

AVAILABLE COLORS



SPECIFICATIONS

Model #	TS0142-01 (Dark Translucent) TS0142-11 (Brushed Chrome) TS0142-17 (White)
Dimensions	16"W x 11.75"H x 2.50"D
Weight	0.70 lbs (01, 17) • 2.16 lbs (11)
Case Pack	20 (01, 17) • 12 (11)



Ph: 800.558.8678
Ph: 920.884.8698
Fax: 920.884.8699
info@palmerfixture.com



Palmer Fixture
P.O. Box 10887
Green Bay, WI 54307
www.palmerfixture.com