

TD0216

Auto-Transfer Push Bar Roll Towel Dispenser



FEATURES



- Lightweight plastic body
- Easy loading with Automatic transfer system with 4" diameter stub roll capacity
- Double latch key lock with standard metal key
- Each push delivers 5-1/2" of toweling
- Impact resistant, durable plastic cover
- Door can be replaced without tools
- ADA Compliant

AVAILABLE COLORS

Dark Translucent Cover with a Beige Back



Dark Translucent Cover with a Black Back

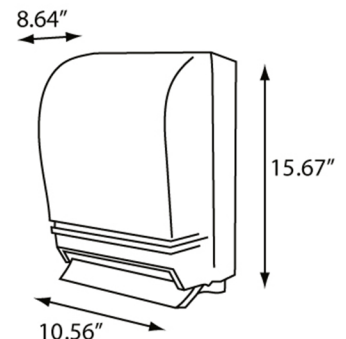


White Translucent Cover with a Beige Back



SPECIFICATIONS

Model #	TD0216-01 (Dark Translucent)				
	TD0216-02 (Black Translucent)				
	TD0216-03 (White Translucent)				
Dimensions	10.74" W x 15.49" H x 8.96" D				
Weight	4.75 lbs	Case Pack	1 per case - 1.16' ³		
Capacity	8"W & 8"D, 2 ³ / ₄ " Stub (1 ¹ / ₂ - 2" Core)		Key Type	1	



Ph: 800.558.8678
 Ph: 920.884.8698
 Fax: 920.884.8699
 info@palmerfixture.com



Palmer Fixture
 P.O. Box 10887
 Green Bay, WI 54307
 www.palmerfixture.com