



FEATURES:

- Speakman SentinelPro concealed anti-scald thermostatic/pressure balanced shower/bath valve combinations with integral volume control/diverter.
- Chrome plated brass wall plate with metal index. Chrome plated metal lever handle.
- Adjustable temperature limit stop (TLS).
- Factory set @ 110 F°.
- Brass body with integral spring check stops.
- Dual element thermostatic/pressure balancing cartridge.
- Can be installed back to back. Roughing-in template.
- Vandal-resistant standard.
- S-2272-E2 showerhead with flow control device reduces flow to a maximum of 2.0 gpm (7.6 L/min)
- S-2500 shower arm and wall flange.
- Four port valve with ½ in. female copper sweat inlets and shower outlet.
- ½ in. NPT female tub outlet.
- Furnished with ½ in. pipe plug.
- Construction is Forged Brass Body and Glass Filled Resin Bonnet.
- Capacity is 4.0 gpm +/- .25 @ 45 psi (50/50 mix).
- Maximum Hot Water Supply Temperature is 185°F. Minimum Hot Water Supply Temperature is 5°F above set point.
- Maximum operating temperature is 125 psig. Valve Temperature Set Point is 110°F (Based on 115-120°F hot & 55 – 65°F Cold).
- Maximum Static Pressure is 125 psig.
- Minimum flow (for +/-3°F performance) meets 1016 to 1.5 gpm.

COMPLIANCE:

- Meets ASSE 1016 & ASME 112.18.1/CSA B125.1 standards



FINISH:

- Polished Chrome (standard)

OPTIONS:

ADD SUFFIX TO MODEL #

- Less showerhead -LH
- S-2251 showerhead -1
- S-2252 showerhead -2
- S-2252 vandal-resistant showerhead -2VR
- S-2253 showerhead -3
- S-2292 showerhead -9

WARRANTY:

- Shower Head/Arm and Flange: 1 year limited
- Valve: 5 year limited

SEE REVERSE FOR ROUGH-IN DIMENSIONS

THIS SPACE FOR ARCHITECT/ENGINEER APPROVAL.

SPEAKMAN®

400 ANCHOR MILL ROAD | NEW CASTLE, DE 19720
P: 800-537-2107 | F: 800-977-2747
WWW.SPEAKMANCOMPANY.COM

REVISION DATE: DECEMBER 2014

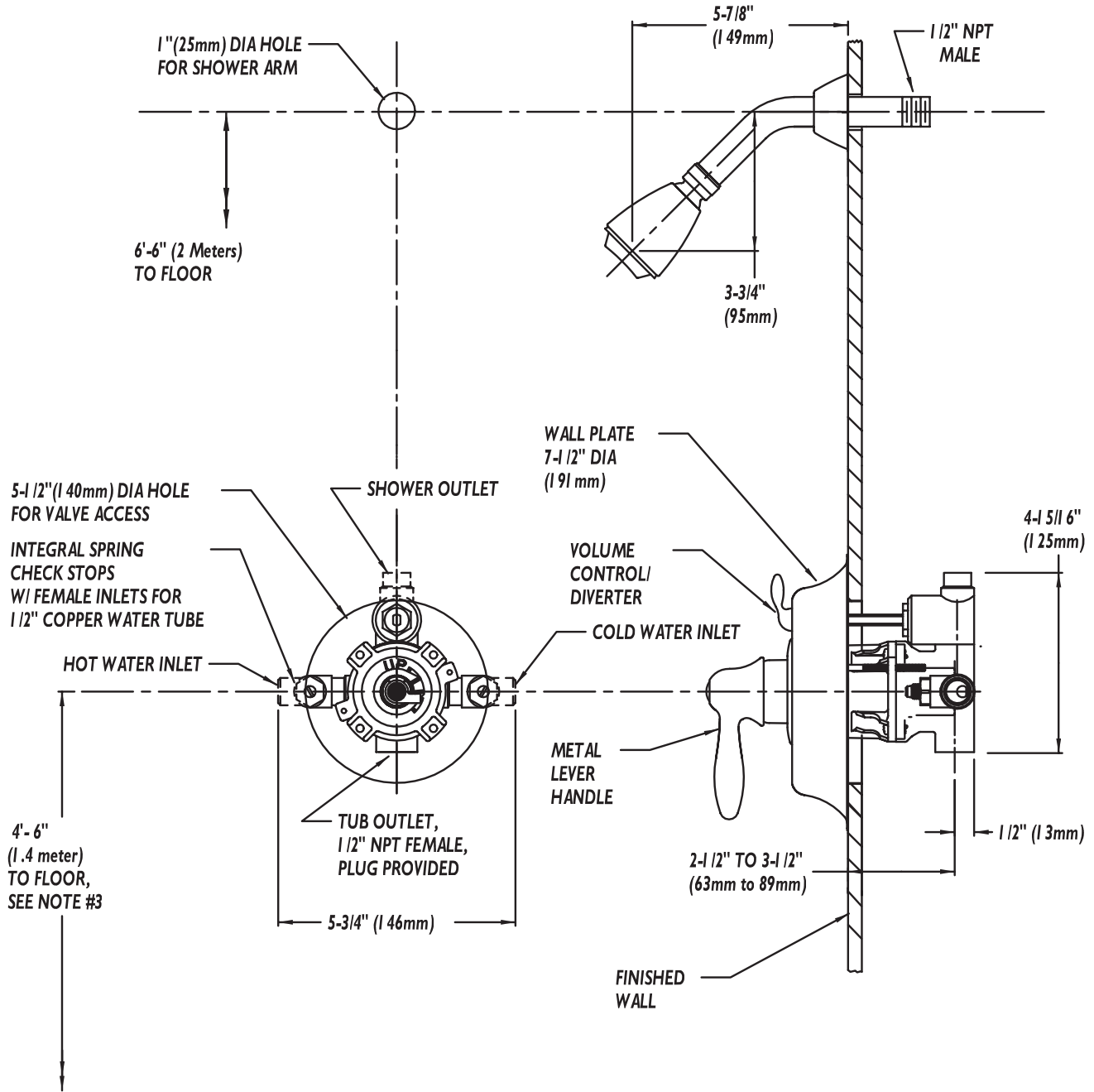


Management Systems
Registered to ISO 9001

SPEAKMAN®

SentinelPro™ Thermostatic/Pressure Balance Shower System SM-5410

SPECIFICATION



NOTE: 1. All dimensions are in inches (millimeters) unless otherwise specified and are subject to change without notice. 2. Unless otherwise specified all inlets and outlets are 1/2" female copper sweat. 3. For ADA mounting locations consult ADAAG, ANSI A17.1, or state regulations.

THIS SPACE FOR ARCHITECT/ENGINEER APPROVAL.

SPEAKMAN®

400 ANCHOR MILL ROAD | NEW CASTLE, DE 19720
 P: 800-537-2107 | F: 800-977-2747
 WWW.SPEAKMANCOMPANY.COM



Management Systems
 Registered to ISO 9001

REVISION DATE: DECEMBER 2014