



LVQD3 Verge® with WashBar™ Technology – LVQ-Series

Key Features

- One piece, chrome-plated WashBar™ includes touch-free soap, water, and hand dryer
- WashBar technology intuitively guides user and eliminates simultaneous activations
- Basin and drain engineered to evacuate water and dissipate air flow
- Single piece molded basin eliminates caulk lines and seams
- WashBar and basin system comes complete with mounting, access panel, drain assembly, and plumbing connections

Specifications

The Verge LVQD3 Wash Basin is 90" in length and is designed to accommodate one to three users at a time with standard lavatory spacing positioned on 30" centers. The single piece, All-in-One WashBar allows users to access soap, water, and a hand dryer without leaving the hand washing station. The unit handles washroom traffic quickly and economically, while providing each user with personal space.

Product Compliance

Listed by IAPMO R&T to

- Uniform Plumbing Code (UPC)
- National Plumbing Code of Canada
- International Plumbing Code (IPC)
- IGC 156 and the requirements of CSA B45.5/IAPMO Z124 and ASME A112.18.1/CSA B125.1
- IGC 127 (WashBar)



Listed by UL to

- UL499, CAN/CSA C22.2 No 36-08 (Hand Dryer)



Listed by UL Environment to

- GreenGuard Gold

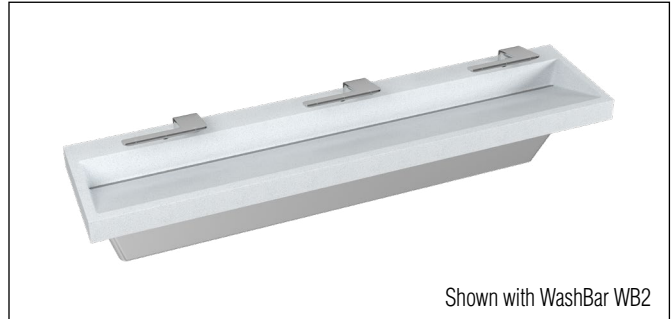


Complies with

- ADA
- ICC/ANSI 117.1
- TAS
- NSF/ANSI 372



Shown with WashBar WB1



Shown with WashBar WB2

Finishes

- Polished Chrome
- Brushed Black Stainless*
- Brushed Stainless*
- Brushed Bronze*
- Brushed Brass*
- Brushed Nickel*

*PVD Finishes (COMING EARLY 2021), see PVD Finishes section on Page 2.

Serves the American Disabilities Act and ICC/ANSI 117.1 guidelines, citations 306, 308, 309.4, 606.4, 606.5 when installed according to these requirements. Consult local codes and standards.

This plumbing fixture is designed for hand washing only. It is not intended to dispense water for human consumption through drinking or for preparation of food or beverages.

Distributor/Wholesaler:	SSC	Date:	2/16/2023
Project/Location:	5408-Lincolnwood, IL	Model:	LVQD3-Series
Submittal Number:	S-1005957	Qty:	2



Construction

Basin

The basin has been designed to direct water to a trench drain and features a 300 series stainless steel drain cap. The basin and drain cap work together to evacuate water and dissipate airflow to prevent splashing on the user or floor. The basin is constructed of Evero Geo Series, a natural quartz surface made from a blend of bio-based resin, natural quartz, granite, and other exotic minerals. It is made of 25% recycled content. Evero Pearl Series is a natural quartz surface made with bio-based resin, sea shells, recycled glass, and natural quartz. It is made of 70% recycled content. Basin is available in all Evero colors.

Variations in the natural stone color, pattern, size, shape, and shade are inherent. Due to these unique characteristics, please expect subtle shade variations when units are installed adjacent to each other.

WashBar™

All-in-One, chrome-plated cast metal WashBar includes touch-free soap, water, and hand dryer. Available in optional in-stock PVD finishes. Load tested to 500 pounds, the WashBar WB1 is secured to the basin with two anti-rotational shanks, and the WashBar WB2 is secured to the basin with one anti-rotational shank. Blue LED lights help guide the user to the WashBar, indicating the three functions. The LED light will change from blue to green to signify that the function is in use. Each function is easily identified by the corresponding icon on the WashBar's top surface.

Sensors are programmed to eliminate simultaneous activations of nearby functions. Each sensor includes a turn-off delay of 1-2 seconds to aid in a smooth, controlled hand-washing and drying operation. WashBar sensors are not affected by varying skin tones or darkness. Smart technology allows the facilities manager or maintenance staff to clean and configure with ease.

Cleaning Mode

WashBar has an activation feature to put the unit into cleaning mode to allow for easy cleaning of the WashBar and basin without activating the functions.

Configuration Mode

The WashBar also has a configuration mode to identify how many cycles are on the soap, faucet, and dryer. Mode also allows for dryer speed adjustment at low, medium, and high levels.

Soap Dispensers

The soap dispenser is located on the left side of the WashBar. This eliminates any soap from dripping on counters or onto the floor, minimizing slip hazards and allows for easy cleaning. Choose between a foam or liquid soap dispenser, which are compatible with most bulk soaps. Soap system accommodates up to a 1 gallon container to reduce the number of soap replacements. When the LED light above the soap function turns to solid red, simply check the level and replace the soap container with a full container if necessary. The soap system includes an adapter to fit many 1 gallon soap containers available on the market.

Please visit https://www.bradleycorp.com/maintenance/soap-dispensers for soap recommendations.

Faucet

Faucet is located in the center of the WashBar and has a spray angle of approximately 17 degrees off the vertical. Choose either a 0.5 gpm (1.9 Lpm) or 0.35 gpm (1.30 Lpm) PCA silicone tip, non-aerated spray pattern. Maximum run time is 11 seconds. The 0.50 gpm (1.90 Lpm) flow control option is the equivalent to 0.09 gpc and the 0.35 gpm (1.30 Lpm) low control option is the equivalent to 0.18 gpc. Automatic 5 second purge within 24 hours of the last use. Recommended operating range is 20-80 psi.

Dryer

The hand dryer is located on the right side of the WashBar, allowing users to dry their hands immediately after washing. This virtually eliminates excess water on the floor. The dryer motor provides heated air at three speeds, high-medium-low, which can be field adjusted by placing the WashBar in configuration mode. The single sided dryer will dry hands in approximately 15 seconds depending on user preference. The decibel range with hands in air stream is 76 dB (high speed) to 64 dB (low speed). The dryer motor, located behind the access panel, is cCSAus listed.

Electrical

Total rated power of each WashBar station is 1200W. Each WashBar is powered by one 12VDC power supply that plugs directly into its dryer or the electrical outlet. A properly grounded, dedicated 120VAC, 15A GFCI minimum outlet must be provided and must be located no more than 4 feet from the installation of the dryer assembly. One duplex outlet is required per station to power the WashBar and dryer.

Access Panel

Minimalistic panel is composed of decorative 300 series stainless steel or black, powder-coated stainless steel. Plumbing components, dryer motor, and soap tank are concealed within the panel. Select the enclosed bottom access panel for vandal-prone applications. The new swing down access panel is designed to ease the maintenance process by eliminating tools and only requires one person for installation. Top edge of the access panel has been hemmed to reduce sharpness.

Support Bracket

Bracket design allows for flexible stud or wall blocking anchor locations. Eliminates the need for in-wall carriers and frame. System is IAPMO certified to meet or exceed ANSI load requirements.

Strainer and Drain Assembly System

Strainer and drain assembly system comes complete with 300 series stainless steel trench drain cap, tailpiece, and polypropylene P-trap. Optional chrome plated P-trap available. Select the slotted drain cap with vandal-resistant screws for vandal-prone applications. The multi-station system is configured with one drain and one set of supplies to reduce the cost associated with individual drains and supplies.

* PVD Finishes

Physical Vapor Deposition is an intricate, environmentally friendly finishing process that molecularly bonds the finish to the faucet, creating a very hard, durable surface that will not corrode, discolor, or tarnish.

Table with 4 columns: Field, Value, Field, Value. Rows include Distributor/Wholesaler (SSC), Date (2/16/2023), Project/Location (5408-Lincolnwood, IL), Model (LVQD3-Series), Submittal Number (S-1005957), and Qty (2).



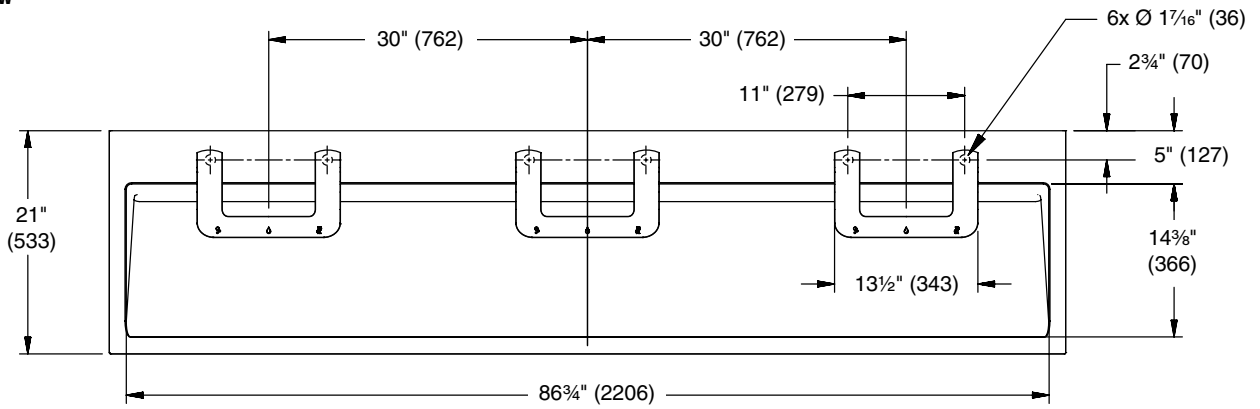
LVQD3

Verge® with WashBar™ Technology – LVQ-Series

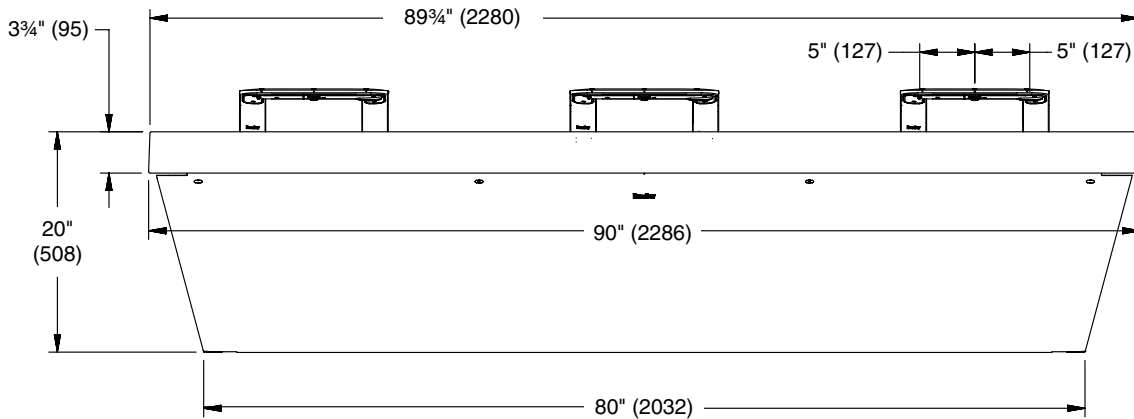
Dimensions for LVQD3 Wash Basin – WB1

(mm)

Top View



Front View



Distributor/Wholesaler:	SSC	Date:	2/16/2023
Project/Location:	5408-Lincolnwood, IL	Model:	LVQD3-Series
Submittal Number:	S-1005957	Qty:	2



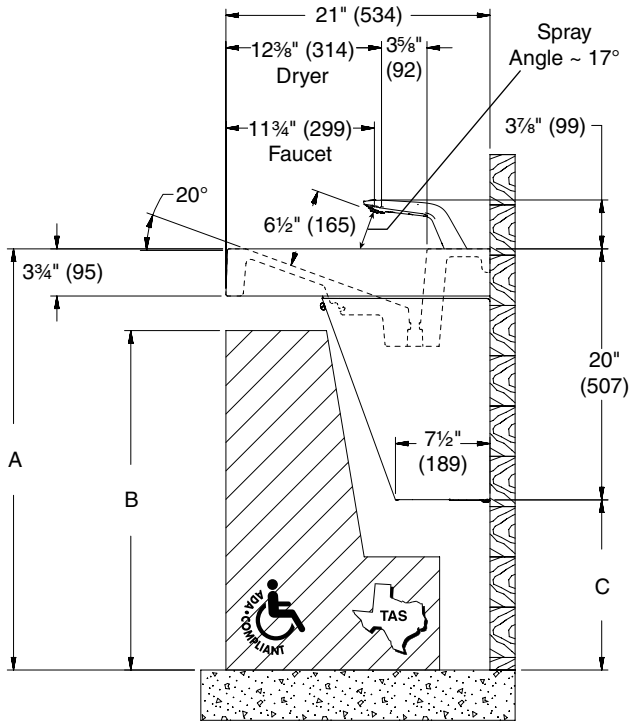
LVQD3

Verge® with WashBar™ Technology – LVQ-Series

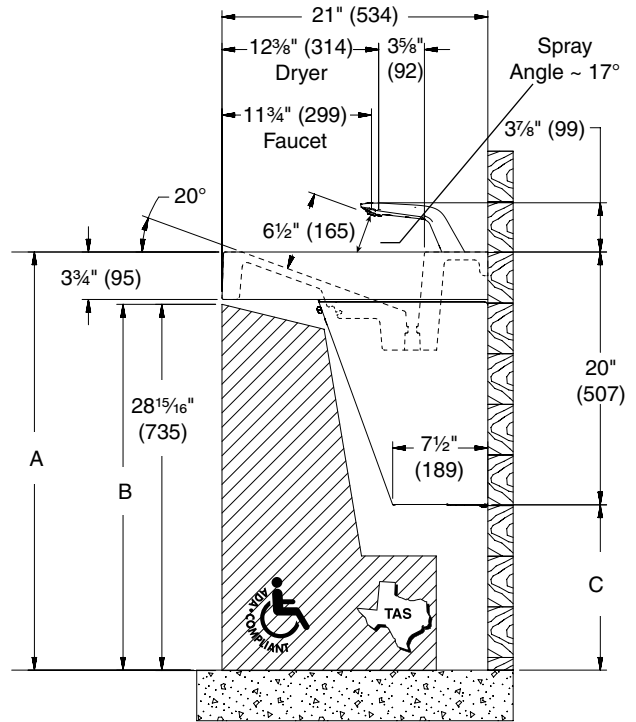
Dimensions for LVQD3 Wash Basin – WB1

(mm)

Side View



Side View - Canadian Standards



	ADA/TAS Standard Height	ADA/TAS Juvenile Height (Children 6-12 years)
Dim A	33 1/2" (851mm)	30 1/2" (775mm)
Dim B	27" (686mm)	24" (610mm)
Dim C	13 1/2" (343mm)	10 1/2" (267mm)

	CSA Standard Height
Dim A	33 1/2" (851mm)
Dim B	29 29/32" (760mm)
Dim C	13 1/2" (536mm)

Distributor/Wholesaler:	SSC	Date:	2/16/2023
Project/Location:	5408-Lincolnwood, IL	Model:	LVQD3-Series
Submittal Number:	S-1005957	Qty:	2

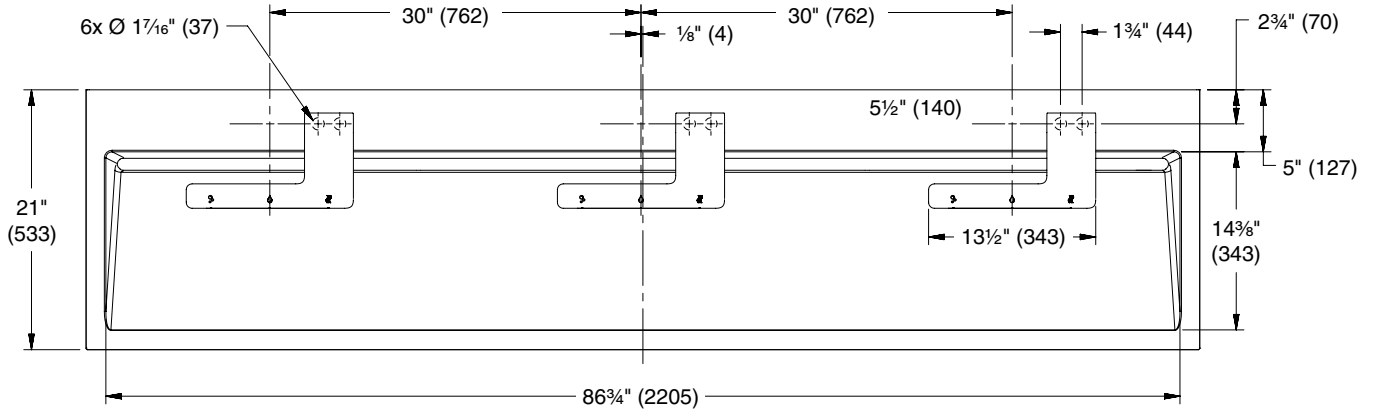


LVQD3 Verge® with WashBar™ Technology – LVQ-Series

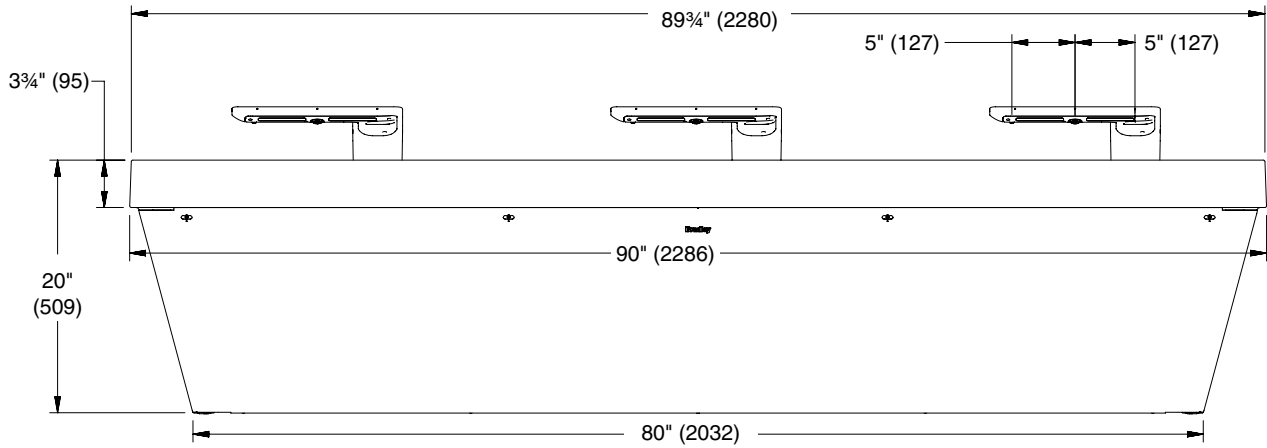
Dimensions for LVQD3 Wash Basin – WB2

(mm)

Top View



Front View



Distributor/Wholesaler:	SSC	Date:	2/16/2023
Project/Location:	5408-Lincolnwood, IL	Model:	LVQD3-Series
Submittal Number:	S-1005957	Qty:	2



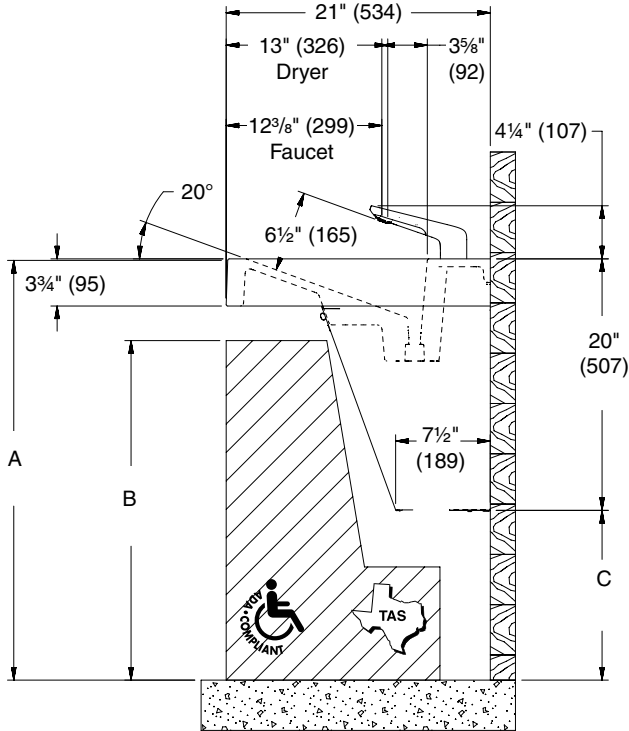
LVQD3

Verge® with WashBar™ Technology – LVQ-Series

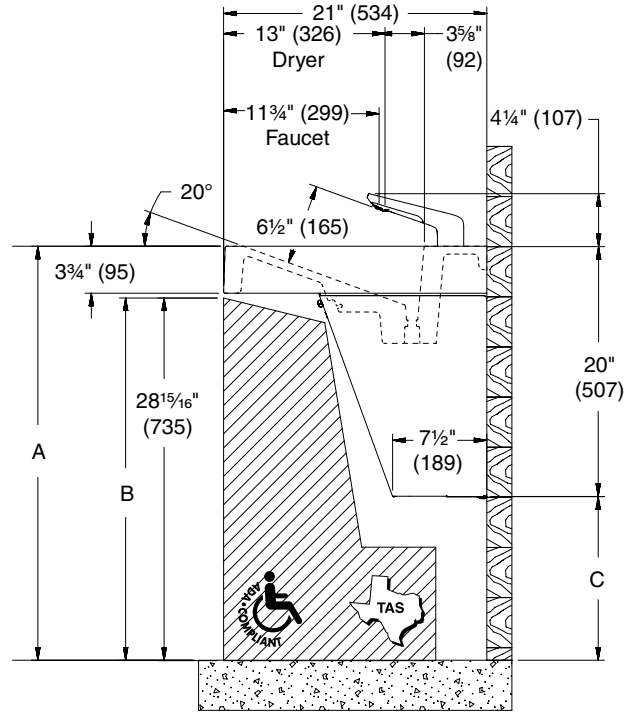
Dimensions for LVQD3 Wash Basin – WB2

(mm)

Side View



Side View - Canadian Standards



	ADA/TAS Standard Height	ADA/TAS Juvenile Height (Children 6-12 years)
Dim A	33½" (851mm)	30½" (775mm)
Dim B	27" (686mm)	24" (610mm)
Dim C	13½" (343mm)	10½" (267mm)

	CSA Standard Height
Dim A	33½" (851mm)
Dim B	29 ²⁹ / ₃₂ " (760mm)
Dim C	13½" (536mm)

Distributor/Wholesaler:	SSC	Date:	2/16/2023
Project/Location:	5408-Lincolnwood, IL	Model:	LVQD3-Series
Submittal Number:	S-1005957	Qty:	2



Structural Rough-Ins for LVQD3 Wash Basin

(mm)

⚠ WARNING Ensure bowl is completely seated in the wall bracket and securely fastened to the wall at point A.

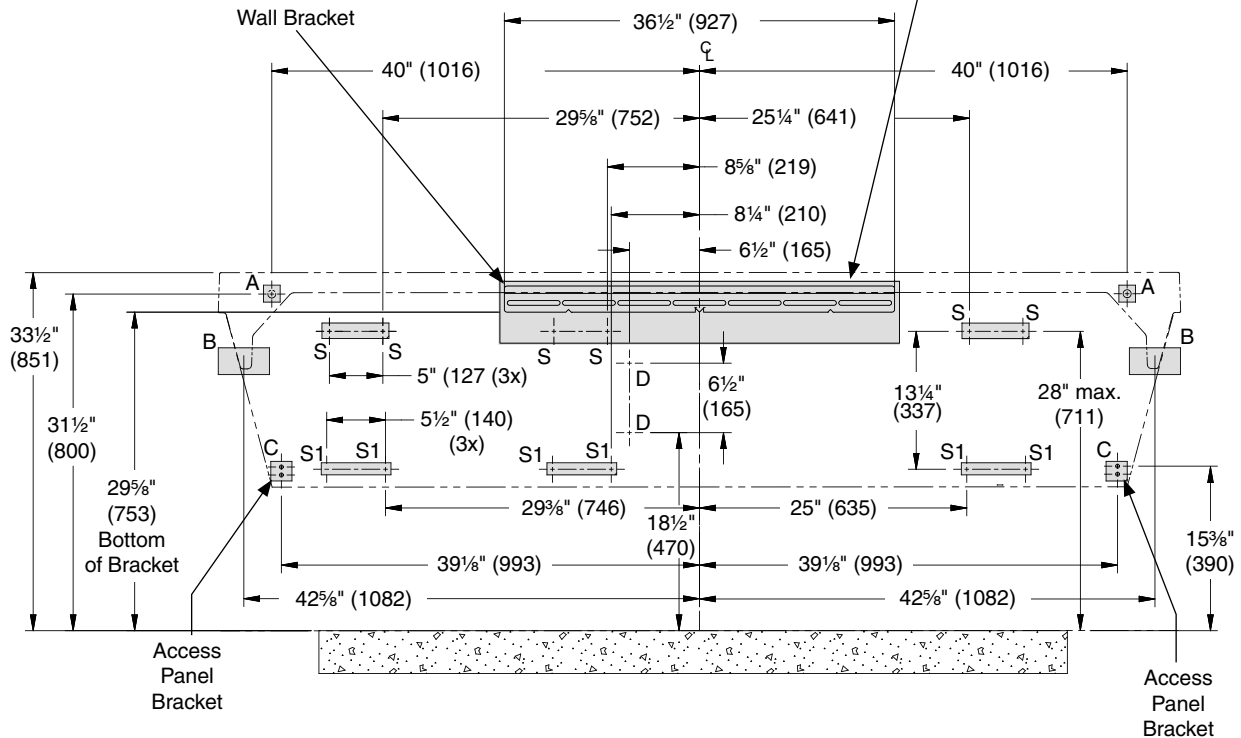


Mounting for Standard, ADA, and TAS height shown.



Points A, B, and C require sufficient backing compliant with local building codes.

Secure bracket to wall using min. (2) 3/8" anchor bolts to the left of C/L and min. (2) 3/8" anchor bolts to the right of C/L. The (2) anchor bolts to the right of C/L must be min. 16" apart from the anchor bolts to the left of C/L. When mounting is complete, check to ensure the bracket is level. See Step 1: Bracket Mounting for more information.



CODE	DESCRIPTION	QTY.
A	Install (1) 3/8" wall anchor with a minimum pull-out force of 1,000 lb. per local codes at locations shown.	2
B	Provide structural backing compliant with local building codes.	2
C	Install wall anchor with a minimum pull-out force of 100 lb. per local codes at locations shown.	2
S	#10 Wall Anchors for Soap Control Box Bracket	2
S1	#10 Wall Anchors for Soap Tank Bracket (100 lb pull out)	2

RIM HEIGHT	VERTICAL HEIGHT ADJUSTMENTS	FIXTURE STYLE
33 1/2"	No Adjustment	Standard Height, ADA, TAS, and CSA
30 1/2"	Subtract 3"	Juvenile, ADA, and TAS

Distributor/Wholesaler:	SSC	Date:	2/16/2023
Project/Location:	5408-Lincolnwood, IL	Model:	LVQD3-Series
Submittal Number:	S-1005957	Qty:	2

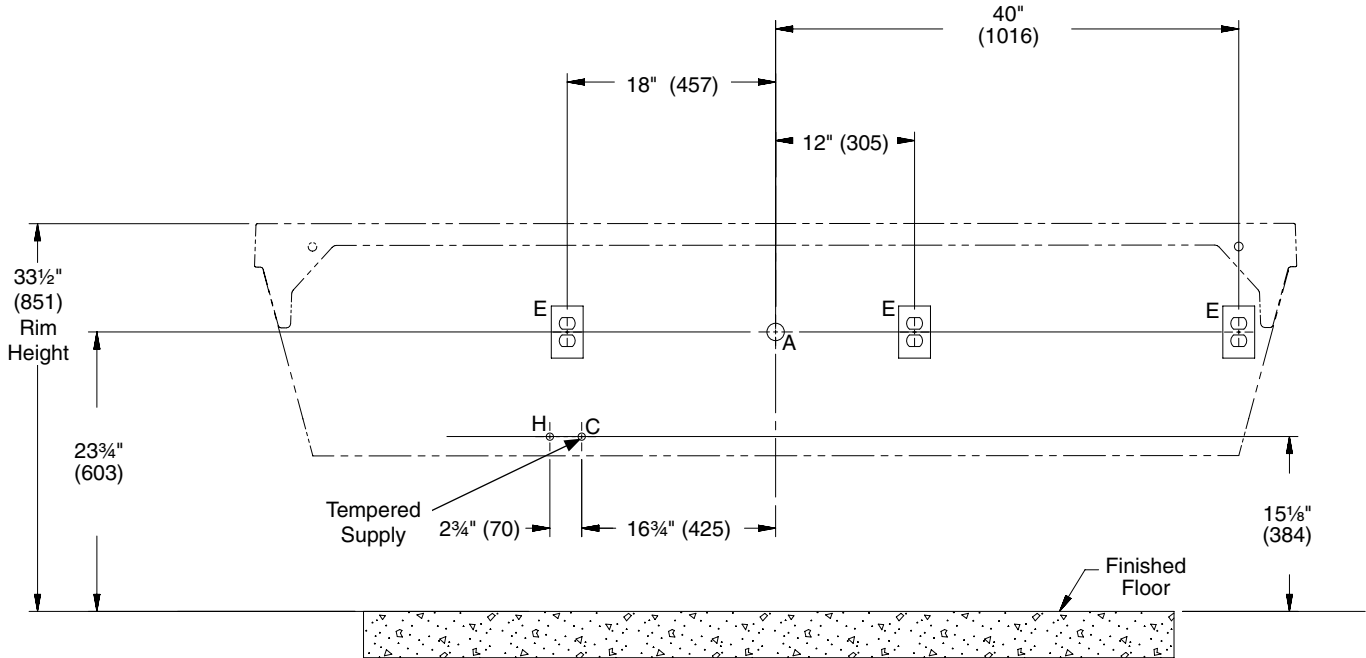


Plumbing and Electrical Rough-Ins for LVQD3 Wash Basin

(mm)



Mounting for Standard, ADA, and TAS height shown.



CODE	DESCRIPTION	QTY.
A	1 1/2" NPT Drain, Stub-out 2" from wall	1
H,C	1/2" Nominal (5/8" O.D. Comp.) Hot/Cold supplies, Stub-out 2" from wall	1
E	Dedicated 120VAC, 15A GFCI minimum outlet must be provided, which is properly grounded and no more than 4 ft from the installation of the dryer assembly.*	3

*If no GFCI outlet is provided, contact a licensed electrician to ensure proper electrical connections in accordance with local building codes. Troubleshooting and internal maintenance must be performed by qualified service personnel.

Distributor/Wholesaler:	SSC	Date:	2/16/2023
Project/Location:	5408-Lincolnwood, IL	Model:	LVQD3-Series
Submittal Number:	S-1005957	Qty:	2



Product Description

Evero Geo Series is a natural quartz surface made from a blend of bio-based resin, natural quartz and other exotic minerals. It is made of 20% recycled content.

Evero Pearl Series is a natural quartz surface made with bio-based resin, sea shells and natural quartz. It is made of 60% recycled content.

- Variations in the natural stone color, pattern, size, shape and shade are inherent. Due to these unique characteristics, please expect subtle shade variations when units are installed adjacent to each other.

Evero features a 15 year warranty.

Product Qualities

- Available in a variety of colors
- Durable, long-lasting material
- Smooth, non-porous surface
- Easy to clean and maintain, absence of cracks or crevices prevent bacteria and mold from accumulating
- Chemical, stain, impact and scratch resistant
- Repairable
- Homogenous composition allows for even distribution of color throughout material
- UV light resistant
- Available in shaped products

Care and Maintenance of Engineered Quartz

- For regular cleaning use mild neutral base cleaners.
- Remove tough stains with non abrasive cleaners and pads such as a white Scotch Brite® or an eraser sponge.
- Avoid contact with harsh chemicals such as paint remover, bleach, acetone, chloride based cleaners, floor cleaners, etc.
- To optimize material performance it is recommended to apply DryTreat Stain-Proof Original or equivalent. Apply annually or as needed.

Additional product literature available at bradleycorp.com.

- Use of brand names is intended only to indicate a type of product. This does not constitute an endorsement. Nor does the omission of any brand name imply its inadequacy.
- All products should be used in strict accordance with package instructions.

Physical Properties

Physical Properties	Average Test Result	Test Method
Coefficient of Thermal Expansion	26.28 ppm/°C	ASTM C-531
Flexural Strength	3178.5 psi	ASTM D790
Flexural Modulus	2086 ksi	ASTM D790
Compressive Strength	12,645 psi	ASTM C170
Moisture Absorption	0.1125 % 24 hours	ASTM D570
Hardness	6-7	Mohs Scale
Gloss (60)	40% minimum	Glossmeter
Fire Resistance, Flame & Smoke*	Class 1	ASTM E84
Density	2.14 g/cm3	ASTM C97

*Geo Series only

ANSI Standards

Physical Properties	ANSI Test	Results
Surface Integrity	3.3	Pass
Strength of Drain Connection	4.2	Pass
Impact Resistance	4.3	Pass
Load Resistance	4.4	Pass
Colorfastness	5.1	Pass
Stain Resistance	5.2	Pass
Chemical Resistance	5.5	Pass
Thermal Shock	5.6	Pass
Wear and Cleanability	5.3	Pass



Distributor/Wholesaler:	SSC	Date:	2/16/2023
Project/Location:	5408-Lincolnwood, IL	Model:	LVQD3-Series
Submittal Number:	S-1005957	Qty:	2