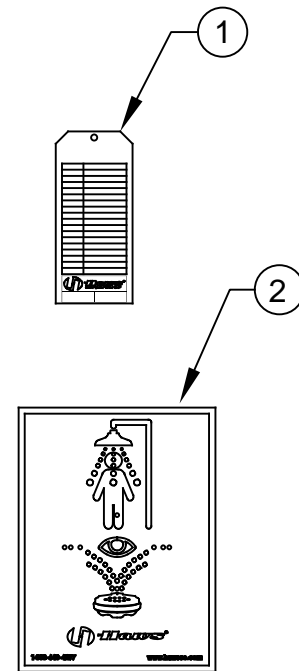
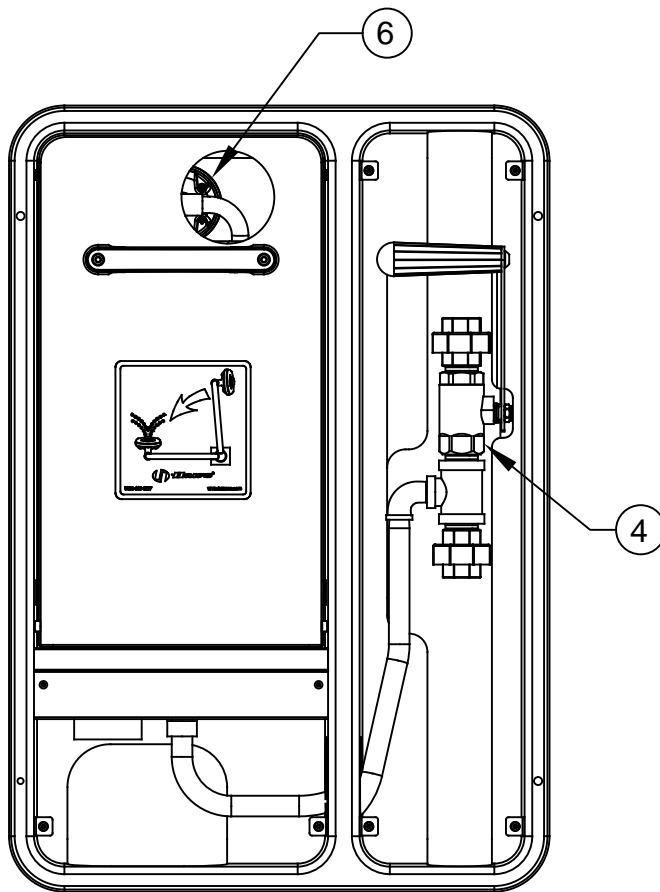
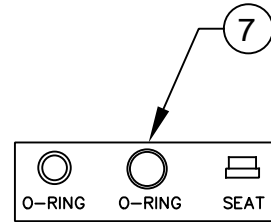
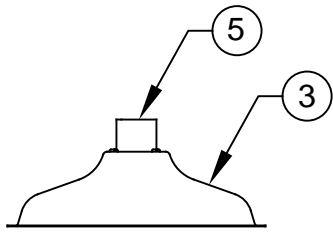



ITEM	DESCRIPTION	PART NO.
1	TEST TAG	SP170
2	SHOWER/EYEWASH SIGN	SP178
3	SHOWER HEAD	SP829SS
4	1" IPS SHOWER BALL VALVE	0006575900
5	FLOW CONTROL	0003138392
6	EYE/FACE WASH	SP65PD
7	VALVE REPAIR KIT	VRK 7650



# PARTS BREAKDOWN

WHEN ORDERING PARTS PLEASE SPECIFY MODEL NUMBER.

			1455 KLEPPE LANE SPARKS, NEVADA 89431 (775) 359-4712 FAX (775) 359-7424 E-MAIL: HAWS@HAWSCO.COM WEBSITE: WWW.HAWSCO.COM		
ECN NO. 4290	REVISED PER ECN: 5545	BY FV	MODEL(S)  8356WCW		PART NUMBER 0002080172
DRAWN IR	DATE 7/13/10	CHKD DP			REVISION 7
APPROVED FV	DATE 06/26/20	SCALE: NA	DRAWING TYPE: PARTS BREAKDOWN	SIZE: A	SHEET 1 OF 1