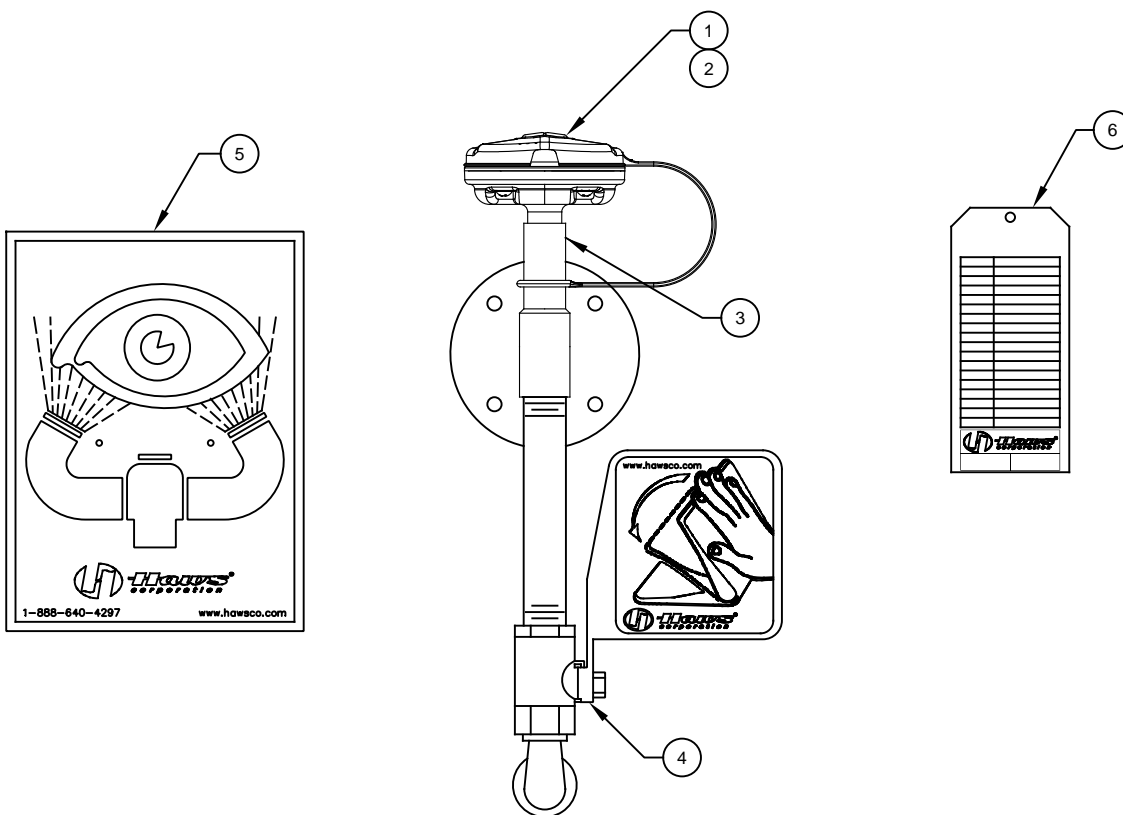



ITEM	DESCRIPTION	PART NO.
1	HEAD ASSY	0002953160
2	DUST COVER	0001968800
3	TEE 1/2 X 1/2 X 3/8	0005847856
4	VALVE - VERTICAL	SP238
5	EYEWASH SIGN	SP175
6	TEST TAG	SP170

PARTS BREAKDOWN



WHEN ORDERING PARTS PLEASE SPECIFY MODEL NUMBER.

		Haws [®]		1455 KLEPPE LANE SPARKS, NEVADA 89431 (775) 359-4712 FAX (775) 359-7424 E-MAIL: HAWS@HAWSCO.COM WEBSITE: WWW.HAWSCO.COM	
				ECN NO. . ECN: 5175	REVISED PER BY DATE DATE VWC 06/02/93 CHKD VWC
DRAWN CLF	APPROVED FV	DATE 11/23/17	SCALE: 1/4	DRAWING TYPE: PARTS BREAKDOWN	SIZE: A SHEET 1 OF 1