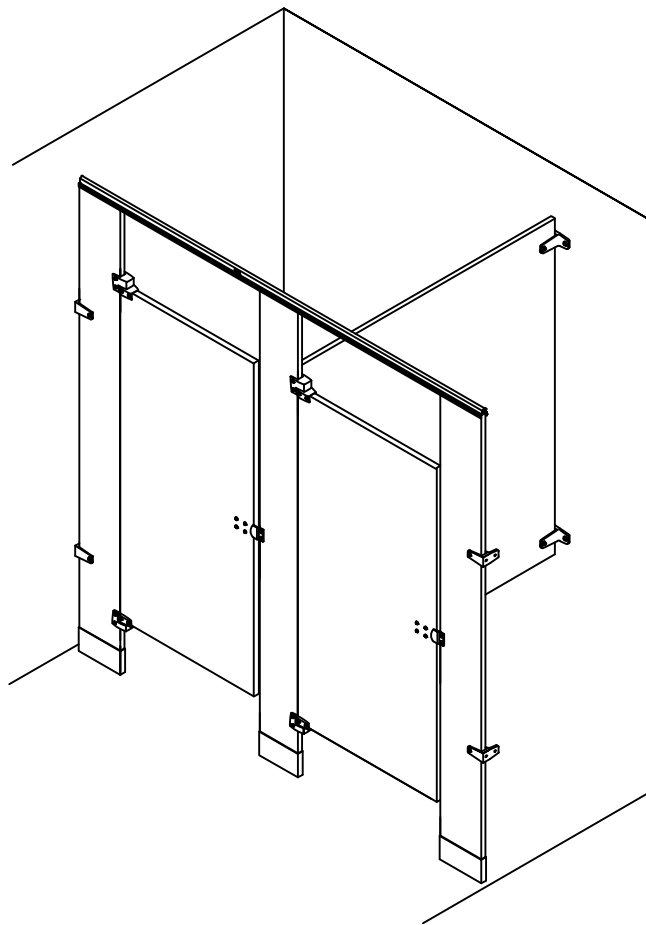




INSTALLATION INSTRUCTIONS FOR
PHENOLIC PARTITIONS



2171 Liberty Hill Rd., Eastanollee, GA 30538 Phone:(706)827-2700 Fax:(706)827-2710
Website: www.globalpartitions.com Email: sales@globalpartitions.com



Thank you for choosing Global Partitions

This installation guide was designed to cover as many variations of hardware and mounting styles possible, while also trying to keep it light and focused.

While all materials and standard mounting selections are present, in order to cover the numerous choices of hardware, we have presented each material with it's default hardware. Therefore, while each type is covered, it will be with it's most common mounting style (i.e. continuous brackets on ceiling-hung, piano hinges on Polymer)

Please read all steps in their entirety before beginning actual install, as some field conditions and hardware combinations may require alternate installation.



Phenolic

Table Of Contents

<u>Floor Anchored/Overhead Braced</u>	<u>Page</u>
Step 1,2,3.....	1
Step 4,5,6.....	2
Panel To Pilaster/Wall Two Ear Assembly.....	3
Panel To Pilaster/Wall One Ear Assembly.....	4
Pilaster/Wall One Ear Assembly.....	5
Pilaster/Panel Alcove Assembly.....	6
Door Hardware (Vault Hinge) Inswing Assembly.....	7A
Door Hardware (Vault Hinge) Outswing Assembly....	7B
Door Hardware (Piano Hinge) Assembly.....	8
Headrail Assembly.....	9
Urinal Screen Assembly.....	10
<u>Floor Anchored</u>	<u>Page</u>
Step 1,2,3.....	11
Step 4,5,6.....	12
Panel To Pilaster/Wall Two Ear Assembly.....	13
Panel To Pilaster/Wall One Ear Assembly.....	14
Pilaster/Wall One Ear Assembly.....	15
Pilaster/Panel Alcove Assembly.....	16
<u>Ceiling Anchored</u>	<u>Page</u>
Step 1,2,3.....	17
Step 4,5,6.....	18
Panel To Pilaster/Wall Two Ear Assembly.....	19
Panel To Pilaster/Wall One Ear Assembly.....	20
Pilaster/Wall One Ear Assembly.....	21
Pilaster/Panel Alcove Assembly.....	22

Table Of Contents cont.

<u>Floor Anchored And Ceiling Anchored</u>	<u>Page</u>
Step 1,2,3.....	23
Step 4,5,6.....	24
Panel To Pilaster/Wall Two Ear Assembly.....	25
Panel To Pilaster/Wall One Ear Assembly.....	26
Pilaster/Wall One Ear Assembly.....	27
Pilaster/Panel Alcove Assembly.....	28
<u>Full Height Kits</u>	<u>Page</u>
Panel To Pilaster/Wall Two Ear Assembly.....	29
Panel To Pilaster/Wall One Ear Assembly.....	30
Pilaster/Wall One Ear Assembly.....	31
Post support assembly.....	32
<u>Product Information</u>	<u>Page</u>
Care And Maintenance Of Toilet Partitions.....	33

The Components for this project have been custom fabricated. They are guaranteed with respect to manufacture and workmanship and were inspected at the factory.

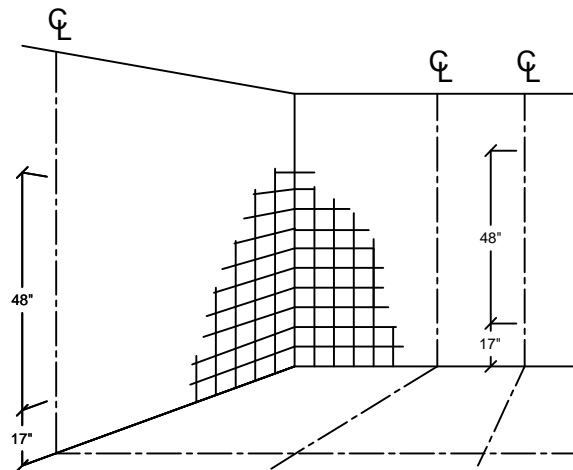
Before beginning work, the units should be inspected. If damage occurred in transit, report immediately to the freight company or other agencies that may have caused the damage.

STEP 1
LAYOUT
FLOOR ANCHORED/OVERHEAD BRACED

FIGURE 1

NOTE:FLOOR MUST BE CONCRETE

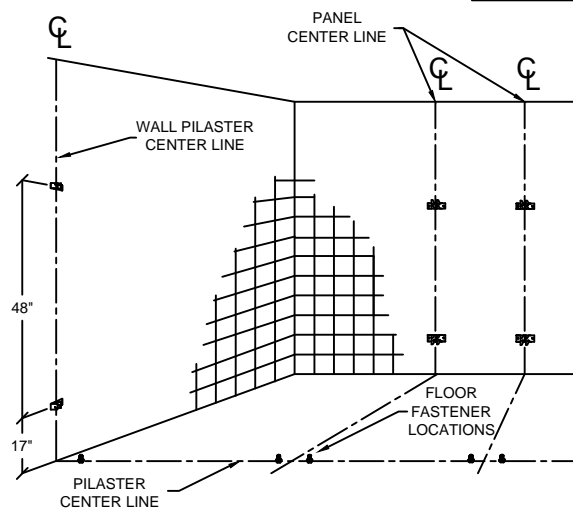
- A. Before proceeding,confirm that backing of walls and floor is adequate to support secure mounting of the toilet compartment units.
- B. Review the layout drawings and package lists that have accompanied this job.
- C. Establish and mark pilaster center line from back wall.
- D. Establish and mark panel center lines for wall brackets.
- E. Establish pilaster floor fastener locations from side wall according to shop drawings. (Note floor fasteners are located 3/4" from edge of pilaster.)
- F. Mark wall bracket holes using brackets as templates.



STEP 2
WALL BRACKETS AND FLOOR ANCHORS

FIGURE 2

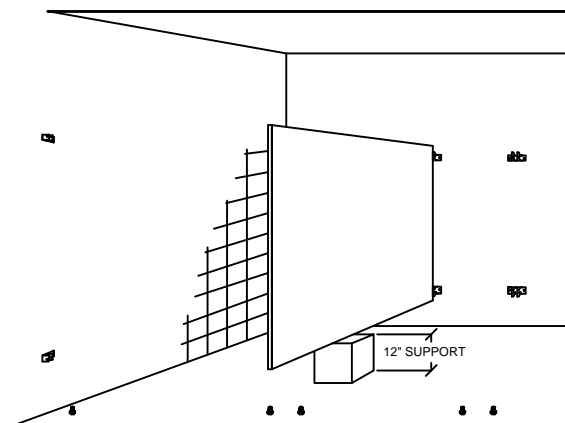
- A. Drill holes for wall brackets and floor anchors of appropriate size for particular fastening devices supplied. Typically, 1/4" bit for walls and compartment thru-bolts, and 3/8" bit for floors. As site conditions and hardware combinations vary, an assortment of bit sizes are recommended.
- B. Insert anchoring devices in walls and secure wall brackets.
- C. Install wedge anchor,washer and nut into concrete floor and tighten.



STEP 3
POSITION PANEL

FIGURE 3

- A. Place panel on a support, 12" above the floor.
- B. Set it into wall brackets,but do not fasten panel at this time.



**STEP 4
PILASTER PREPARATION**

- A. Align U-brackets in position on rear of pilasters. Refer to layout drawings and make sure brackets are in alignment with wall brackets.
- B. Fasten U-brackets to pilaster with sheet metal screws.
- C. Pilasters at wall do not require U-brackets, but should be prepared for wall and floor fastening as required by compartment layout.

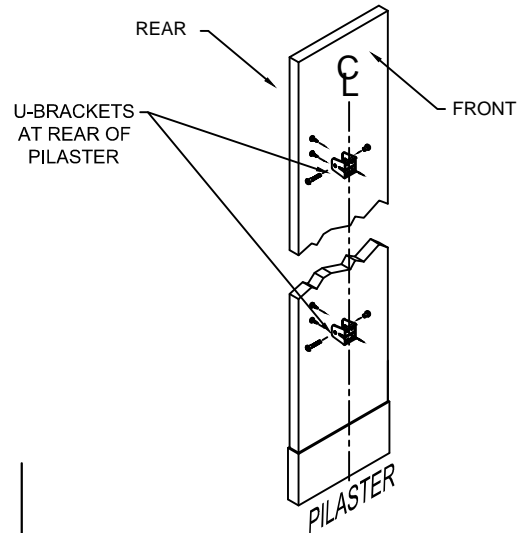


FIGURE 4

**STEP 5
INSTALL PILASTERS**

- A. On each wedge anchor thread place 3/8" support nut down to approximately 1" up from floor level and place square washer over each anchor.
- B. Slide pilaster shoe onto pilaster and position pilaster mounting bar on threaded anchor and attach lightly with square flat washer, lockwasher and locking nut.

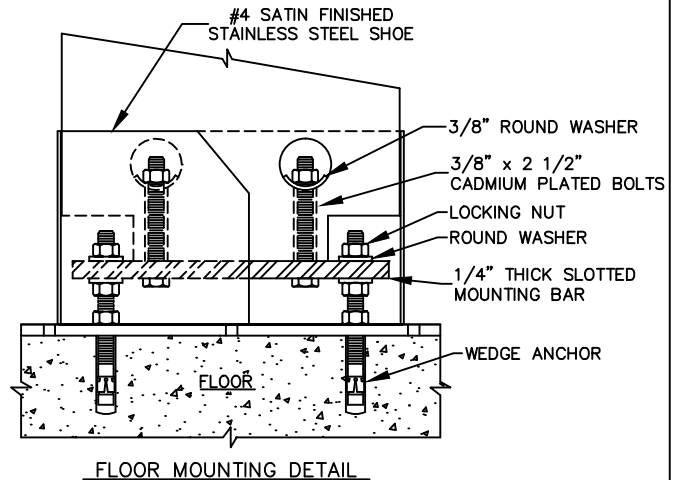


FIGURE 5

**STEP 6
SECURING PILASTERS/PANELS**

- A. Level each pilaster by adjusting both support nuts to desired position.
- B. Plumb each pilaster and fasten the pilaster to panel with "U" brkts using through bolts or sheet metal screws.
- C. Establish door openings by setting pilaster mounting bar to desired position on stud.
- D. Tighten locking nuts on top of pilaster mounting bar.
- E. Fasten panel to wall brackets using through bolts.
- F. Secure shoe to pilaster with screw provided.
- G. Remove panel support device.

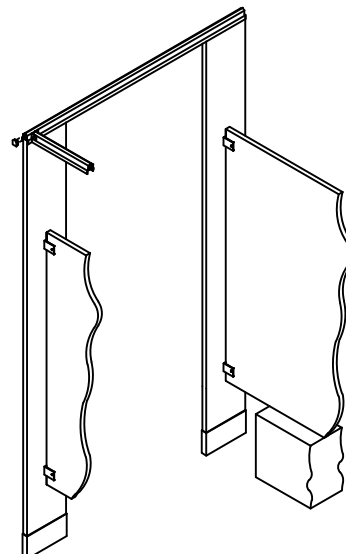









FIGURE 6

**FLOOR ANCHORED/OVERHEAD BRACED
PANEL TO PILASTER/WALL
TWO EAR ASSEMBLY
PHENOLIC**

Pilasters must be both plumb and level. To assist in leveling, headrail may be lightly positioned across adjacent pilasters (do not fasten at this time)
Refer to steps 4 & 6

- A. Plumb panel and fasten panel to 2-ear bracket at wall with through bolts.
- B. Fasten pilaster to panel using through bolts to fasten "U" brackets to pilaster.

Panel Hardware Kit (P/N 8275020) Includes: STAINLESS STEEL		
PART ID.	DESCRIPTION	QTY
1	 Two Ear Bracket	(2)
2	 "U" Bracket	(2)
3	 Vandal Resistant S/S Step Bolts 1/2" Long	(4)
4	 Vandal Resistant S/S Barrel Nut	(4)
5	 Vandal Resistant 2 1/2" S.M.S	(4)
6	 Plastic Shields	(4)
7	 Vandal Resistant 3/4" S.M.S	(4)

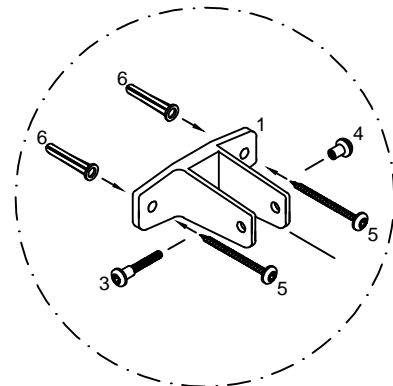
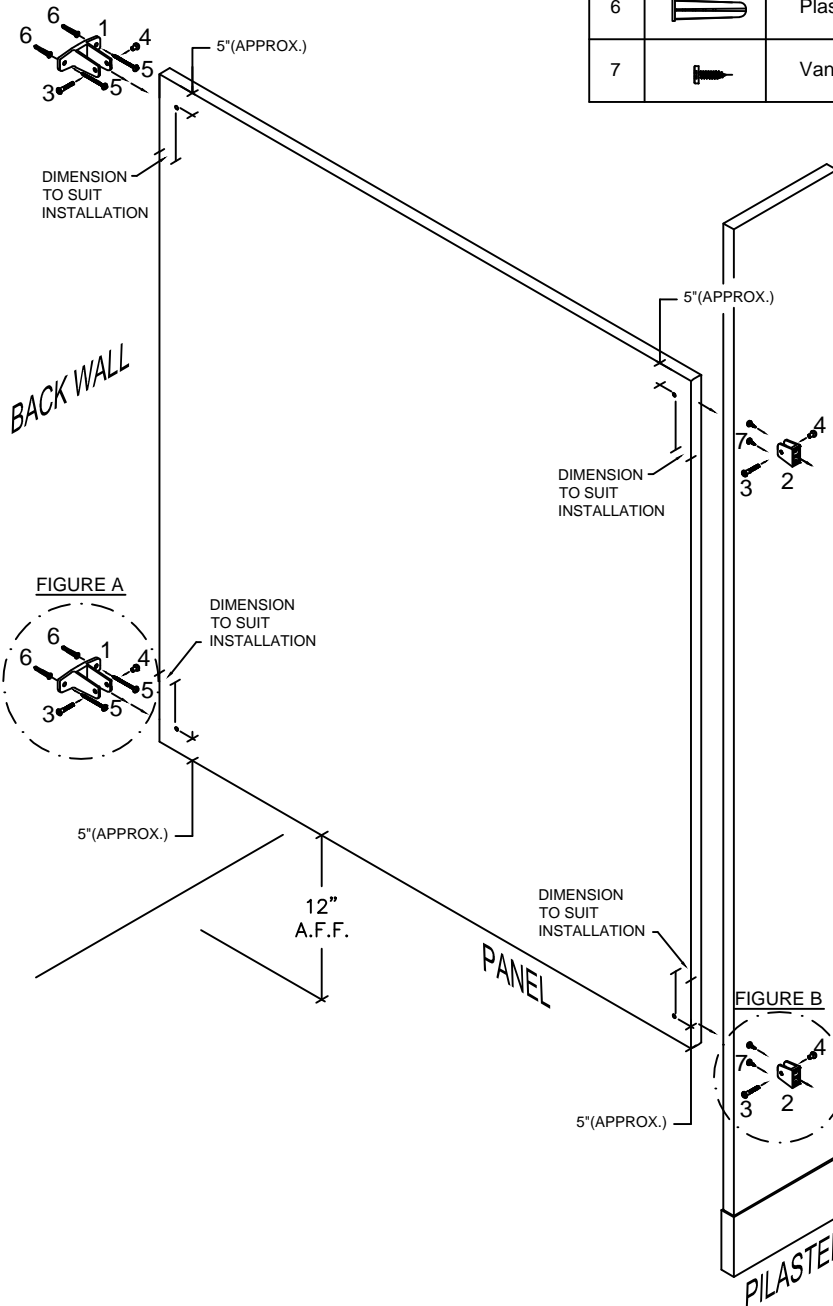


FIGURE A

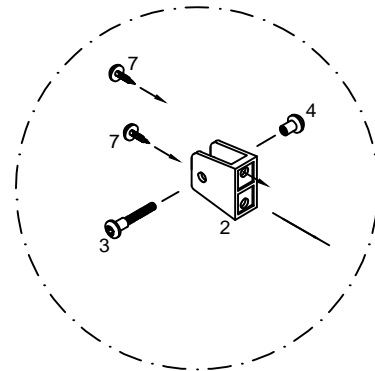


FIGURE B

NOTE:
Two Vandal resistant 3/4" screws
To Fasten U-bracket To Pilaster.

**FLOOR ANCHORED/OVERHEAD BRACED
PANEL TO PILASTER/WALL
ONE EAR ASSEMBLY
PHENOLIC**

Pilasters must be both plumb and level. To assist in leveling, headrail may be lightly positioned across adjacent pilasters (do not fasten at this time) Refer to steps 4 & 6.

- A. Plumb panel and fasten panel to 1-ear bracket at wall with through bolts.
- B. Plumb pilaster and fasten pilaster to panel using through bolts with barrel nuts. Use sheet metal screws to fasten "U" brkts to pilaster.

Panel Hardware Kit (P/N 8275010) Includes: STAINLESS STEEL			
PART ID.		DESCRIPTION	QTY
1		One Ear Bracket	(2)
2		"U" Bracket	(2)
3		Vandal Resistant S/S Step Bolts 1/2" Long	(4)
4		Vandal Resistant S/S Barrel Nut	(4)
5		Vandal Resistant 2 1/2" S.M.S	(4)
6		Plastic Shields	(4)
7		Vandal Resistant 3/4" S.M.S	(4)

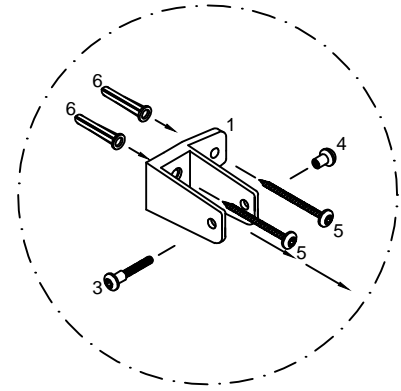
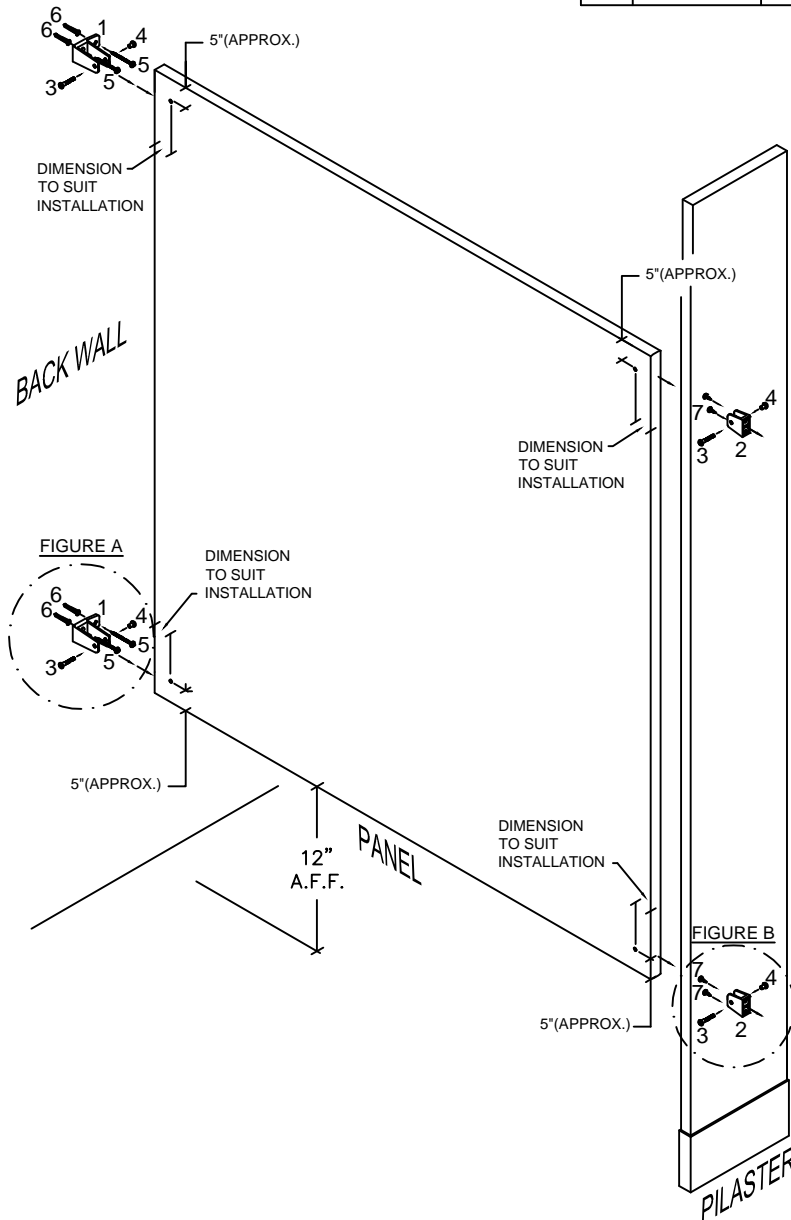


FIGURE A

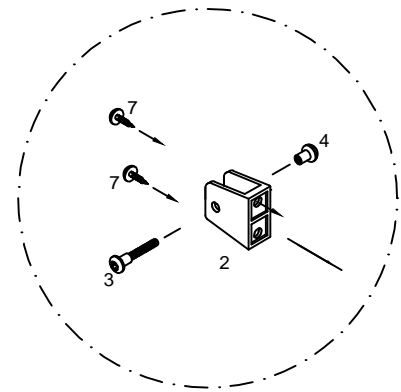








FIGURE B

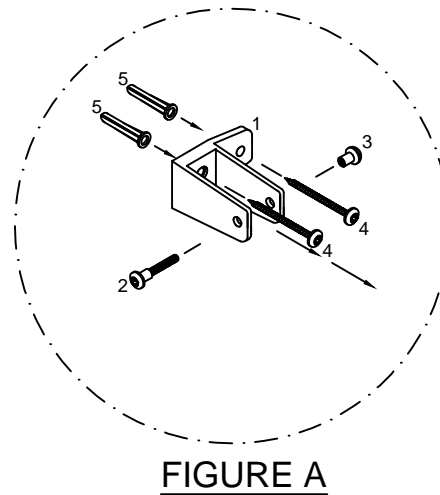
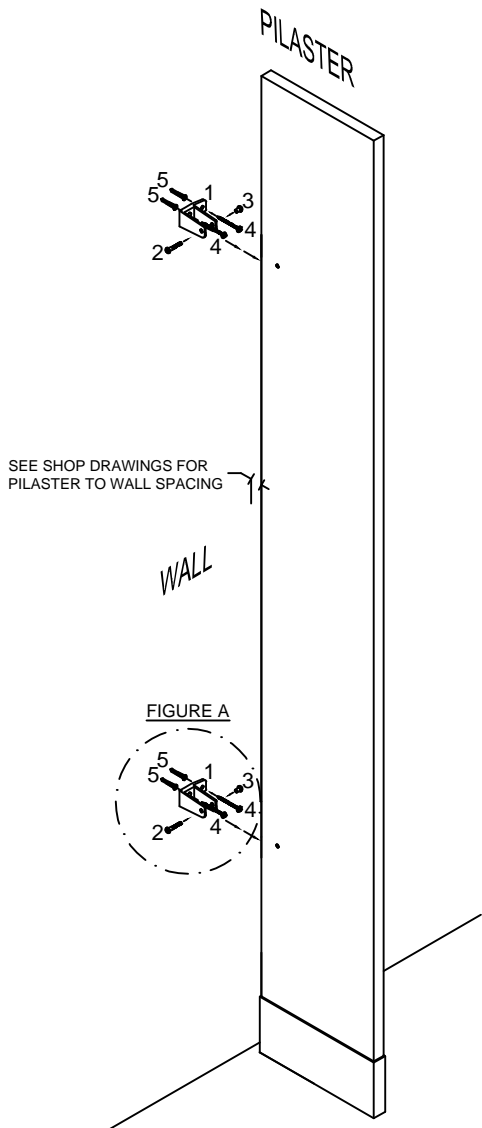
NOTE:
Two Vandal resistant 3/4" screws
To Fasten U-bracket To Pilaster.

**FLOOR ANCHORED/OVERHEAD BRACED
PILASTER/WALL
ASSEMBLY
PHENOLIC**

Pilasters must be both plumb and level. To assist in leveling, headrail may be lightly positioned across adjacent pilasters(do not fasten at this time)


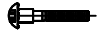





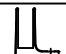

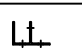
- A. Fasten pilaster to wall using through bolts or sheet metal screws.
- B. Establish bottom door openings by adjusting pilaster mounting bar to desired position and tighten nuts.Refer to step 6.

Pilaster/Wall Hardware Kit (P/N 8275210) Includes: STAINLESS STEEL			
PART ID.		DESCRIPTION	QTY
1		S/S One Ear Wall Bracket	(2)
2		Vandal Resistant S/S Step Bolts 3/4" Long	(2)
3		Vandal Resistant S/S Barrel Nut	(6)
4		Vandal Resistant 2 1/2" S.M.S	(4)
5		Plastic Shields	(4)
6		Vandal Resistant S/S Step Bolts 1/2" Long	(4)



**FLOOR ANCHORED/
OVERHEAD BRACED
PILASTER/PANEL ALCOVE
ASSEMBLY
PHENOLIC**

Optional #8277020 if 2-ear panel to wall is required.

Alcove Hardware Kit (P/N 8277010) Includes: STAINLESS STEEL		
PART ID.	DESCRIPTION	QTY
1	 3/4" One Ear Wall Bracket	(2)
2	 Vandal Resistant S/S Step Bolts 3/4" Long	(4)
3	 Vandal Resistant S/S Barrel Nut	(4)
4	 Vandal Resistant S/S #14 x 2 1/2" S.M.S.	(10)
5	 Plastic Shields	(10)
6	 Vandal Resistant S/S 3/4" long	(3)
7	 Alcove Clip	(4)
8	 1/2" One Ear Wall Bracket	(2)
9	 Vandal Resistant S/S Step Bolts 1/2" Long	(4)
10	 Bracket Headrail Satin "F" Zamac	(1)

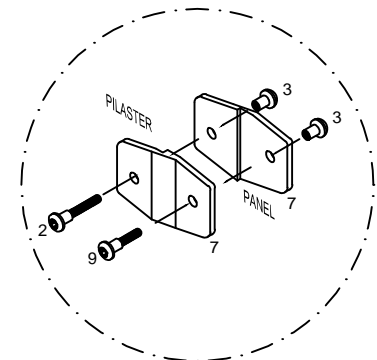
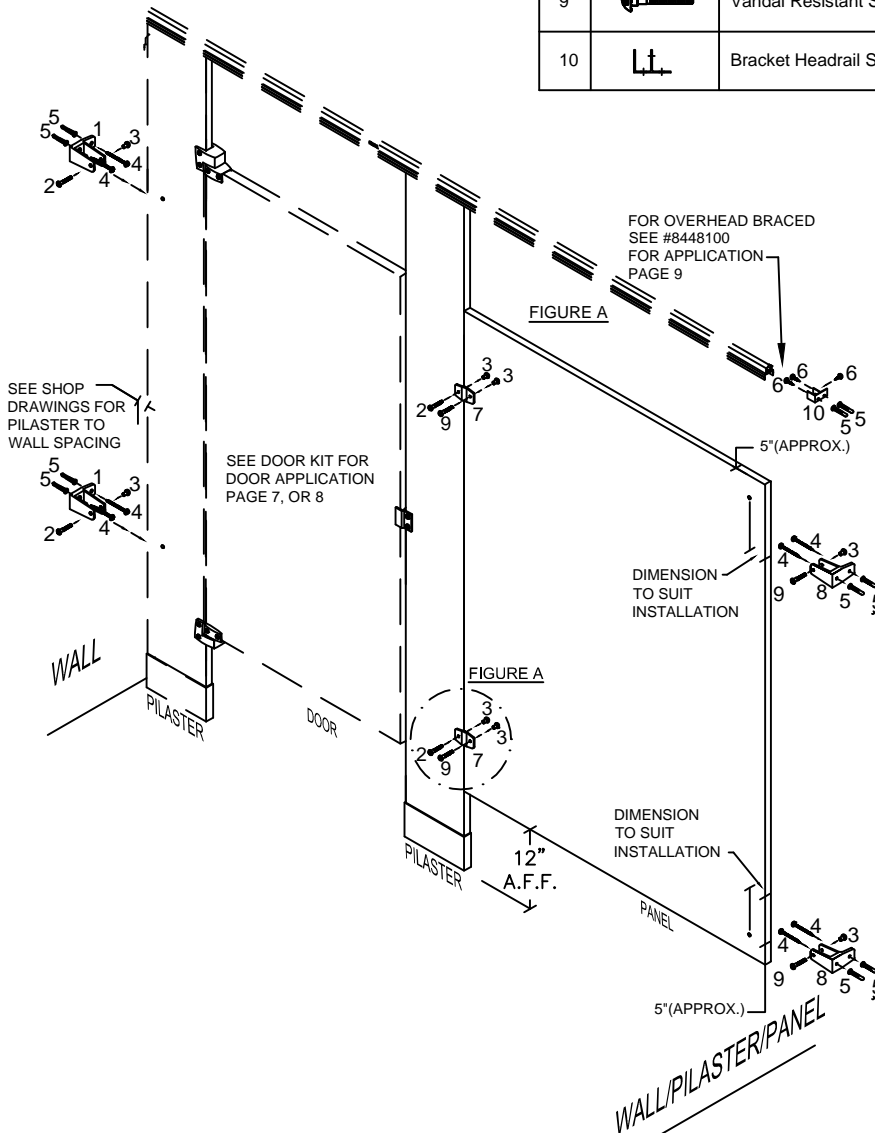


FIGURE A

DOOR HARDWARE
ASSEMBLY-VAULT HINGE
PHENOLIC

Install slide latch on door oppsite the hinge side of door. All slide latches should be mounted at midpoint of the door , 27 1/2" inches up from the bottom of the door.

INSWING DOOR

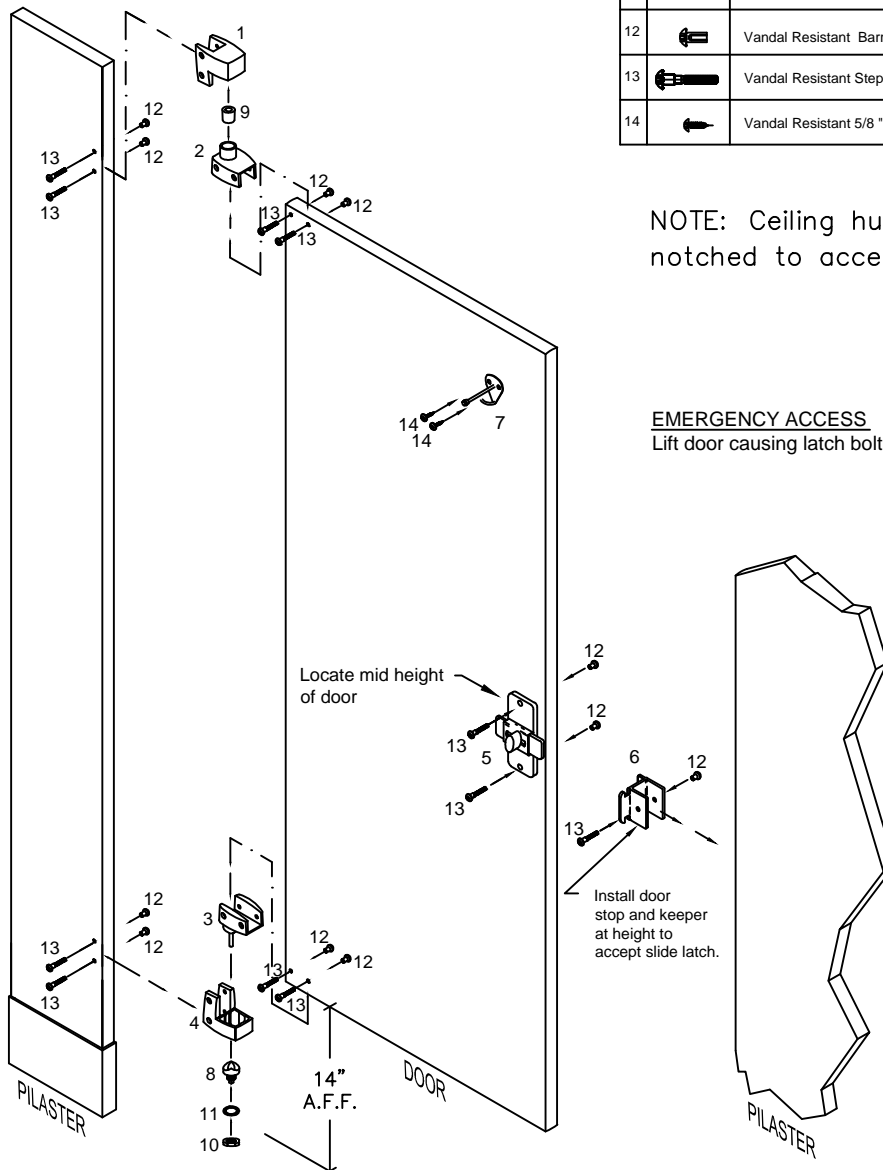
Mount the slide latch on to the door with two (2) step bolts and two (2) 3/8 inch barrel nuts. Install keeper and bumper on pilaster. Be sure that the keeper and bumper is set so that the slide bar of the slide latch engages the top notch of the keeper. Install keeper/bumper with one (1) step bolt and one (1) barrel nut.

ADJUSTING DOOR RESTING POSITION

Loosen 10 (Nut adjusting Bottom Hinge) and turn 8 (Cam Adjusting Bottom Hinge) until desired resting position is achieved. Tighten 10.

Inswing Door Hardware Kit (P/N 8571005) Includes:
 Brushed Finish

PART ID.	DESCRIPTION	QTY
1	Vault Hinge Top Pilaster Side	(1)
2	Vault Hinge Top Door Side	(1)
3	Vault Hinge Bottom Door Side	(1)
4	Vault Hinge Bottom Pilaster Side	(1)
5	Side Latch Brushed Finish	(1)
6	Inswing Keeper Brushed	(1)
7	Bumper And Coathook	(1)
8	Cam Adjusting Bottom Hinge	(1)
9	Bushing Nylon Top Hinge	(1)
10	Nut Adjusting Bottom Hinge	(1)
11	Hinge Washer Internal	(1)
12	Vandal Resistant Barrel Nut 3/8"	(1)
13	Vandal Resistant Step Bolt	(11)
14	Vandal Resistant 5/8 "	(2)



NOTE: Ceiling hung doors will be notched to accept bottom hinge.

EMERGENCY ACCESS

Lift door causing latch bolt to clear keeper and open.

DOOR HARDWARE
ASSEMBLY-VAULT HINGE - OUTSWING
PHENOLIC

Install slide latch on door oppsite the hinge side of door. All slide latches should be mounted at midpoint of the door , 29" inches up from the bottom of the door.

OUTSWING DOOR

Mount the slide latch to the inside face of door.
 Use two (2) step bolts and two (2) barrel nuts.

Be sure that the keeper is set so that the slide latch bar is only 1/4 inch (.250) below the top edge of the keeper and does not engage behind pilaster (bumper only).
 Install keeper with one (1) step bolt and one (1) barrel nut.

ADJUSTING DOOR RESTING POSITION

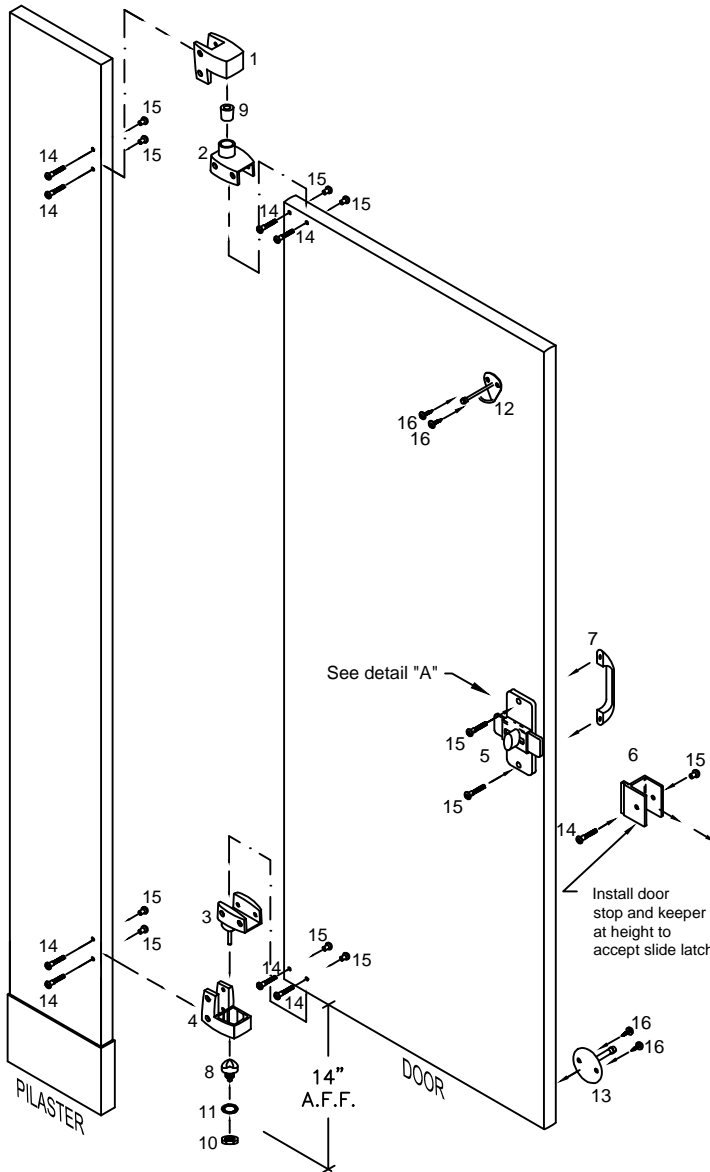
Loosen 10 (Nut adjusting Bottom Hinge) and turn 8 (Cam Adjusting Bottom Hinge) until desired resting position is achieved. Tighten 10.

EMERGENCY ACCESS

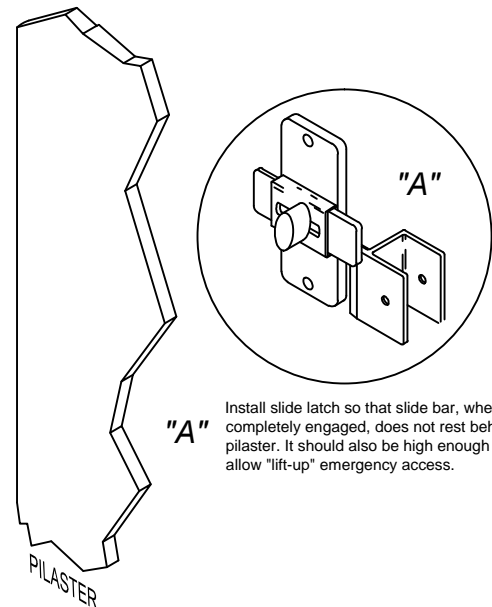
Lift door causing latch bolt to clear keeper and open.

Outswing Door Hardware Kit (P/N 8571006) Includes:
 Brushed Finish

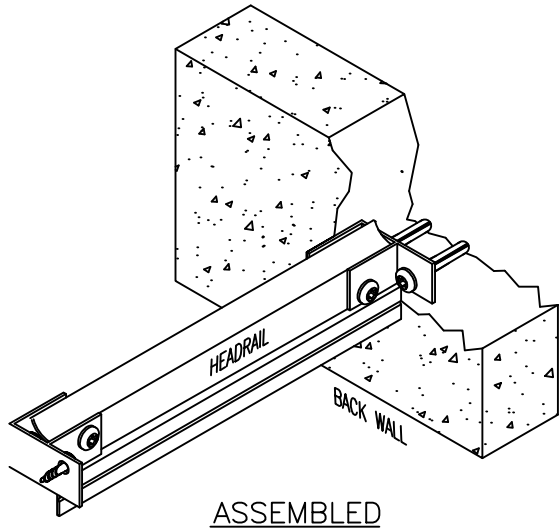
PART ID.	DESCRIPTION	QTY
1	Vault Hinge Top Pilaster Side	(1)
2	Vault Hinge Top Door Side	(1)
3	Vault Hinge Bottom Door Side	(1)
4	Vault Hinge Bottom Pilaster Side	(1)
5	Slide Latch Brushed Finish	(1)
6	Outswing Slide Latch Keeper	(1)
7	Pull Handle	(1)
8	Cam Adjusting Bottom Hinge	(1)
9	Bushing Nylon Top Hinge	(1)
10	Nut Adjusting Bottom Hinge	(1)
11	Hinge Washer Internal	(1)
12	Bumper And Coathook	(1)
13	Bumper	(1)
14	Vandal Resistant Step Bolt	(10)
15	Vandal Resistant Barrel Nut 3/8"	(10)
16	Vandal Resistant 5/8 " SMS	(4)








NOTE: Ceiling hung doors will be notched to accept bottom hinge

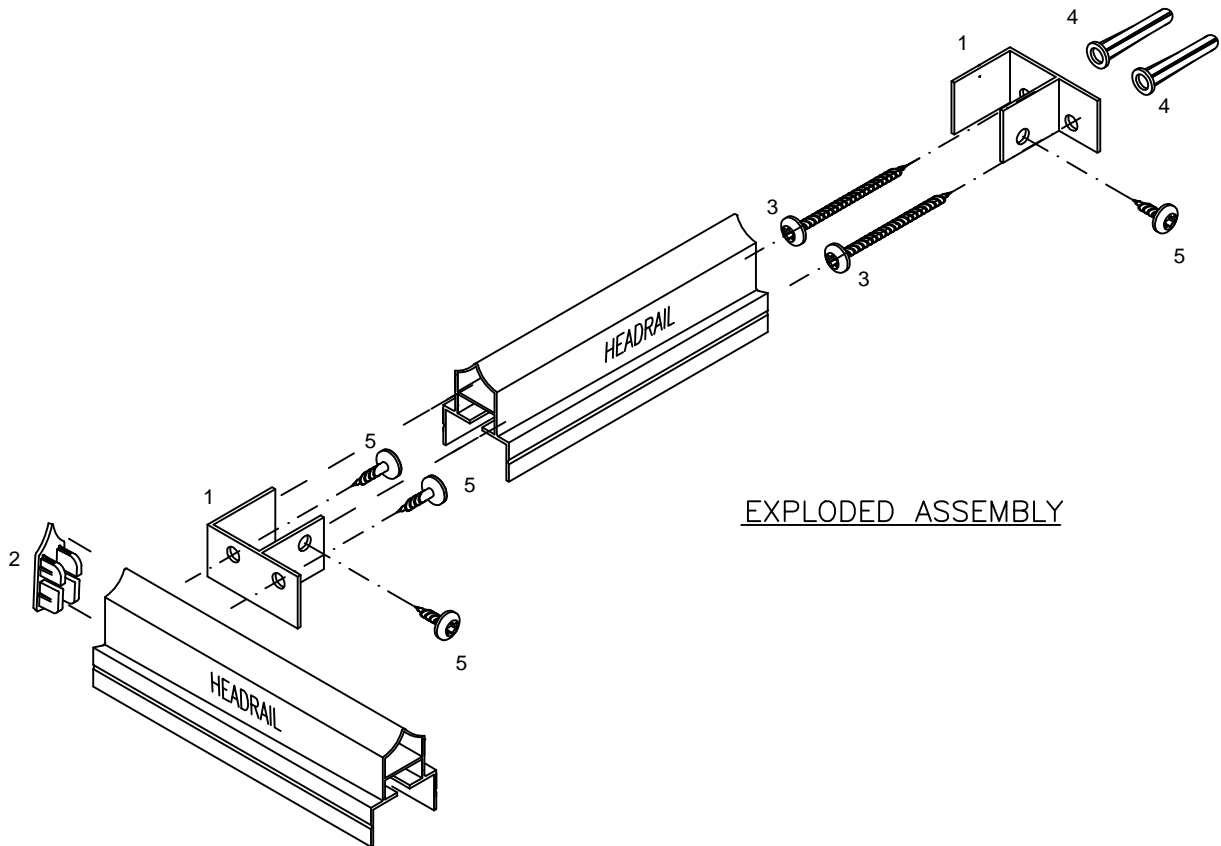


**HEADRAIL
ASSEMBLY
PHENOLIC**



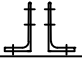

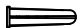


Headrail Hardware Kit (P/N 8448100) Includes:

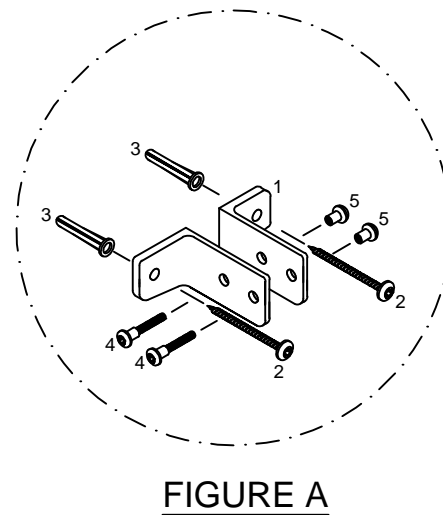
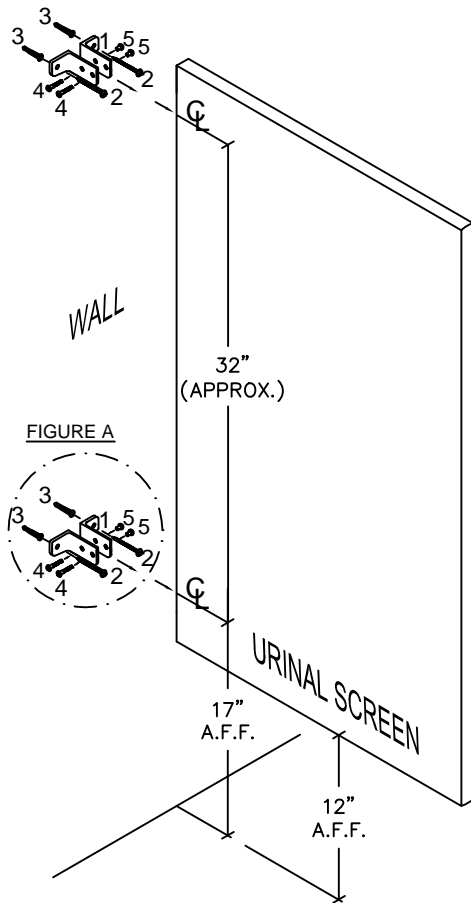
PART ID.	DESCRIPTION	QTY
1	 Headrail Satin "F" Zamac Bracket	(2)
2	 Headrail Cap Satin Zamac	(1)
3	 Vandal Resistant S/S #14 x 2 1/2" S.M.S	(2)
4	 Plastic Shield 14/16 x 1-1/2"	(2)
5	 Vandal Resistant 5/8" S.M.S	(4)



**URINAL SCREEN
ASSEMBLY
PHENOLIC**

- A. Before proceeding, confirm that backing of wall is adequate to support and secure mounting of urinal screens. Check dwgs for layout.
- B. Insert anchoring devices in walls and secure wall angle brackets with 2 1/2" s.m.s.
- C. Place urinal screen on a support, 12" above the floor.
- D. Set U/S into wall brackets and fasten.

Urinal Screen Hardware Kit (P/N 8271480) Includes: STAINLESS STEEL		
PART ID.	DESCRIPTION	QTY
1	 S/S Wall Angle Brackets	(4)
2	 Vandal Resistant 2 1/2" S.M.S	(4)
3	 Plastic Shields	(4)
4	 Vandal Resistant S/S Step Bolts 1/2" Long	(4)
5	 Vandal Resistant S/S Barrel Nut	(4)

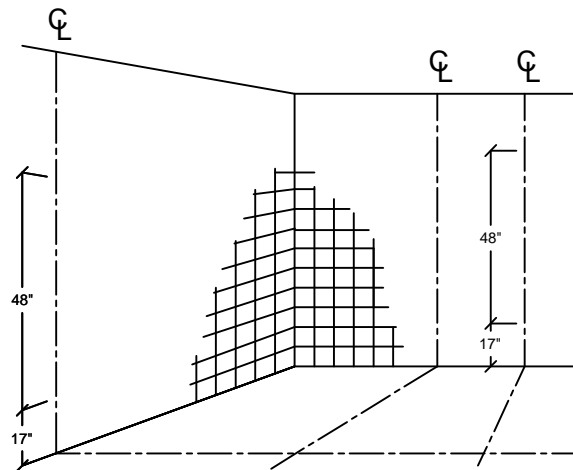


STEP 1
LAYOUT
FLOOR ANCHORED

FIGURE 1

NOTE:FLOOR MUST BE CONCRETE

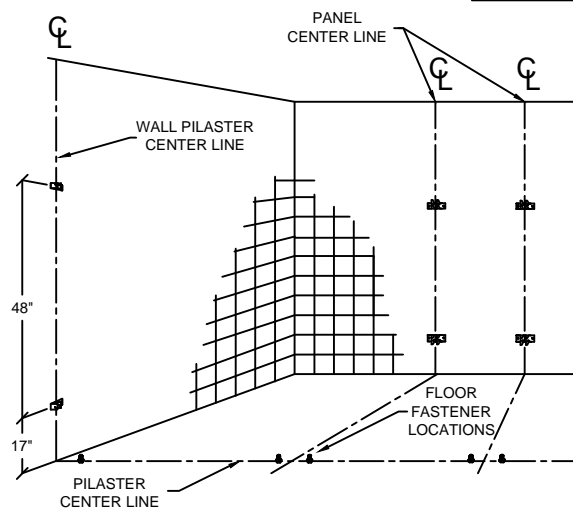
- A. Before proceeding,confirm that backing of walls and floor is adequate to support secure mounting of the toilet compartment units.
- B. Review the layout drawings and package lists that have accompanied this job.
- C. Establish and mark pilaster center line from back wall.
- D. Establish and mark panel center lines for wall brackets.
- E. Establish pilaster floor fastener locations from side wall according to shop drawings. (Note floor fasteners are located 3/4" from edge of pilaster.)
- F. Mark wall bracket holes using brackets as templates.



STEP 2
WALL BRACKETS AND FLOOR ANCHORS

FIGURE 2

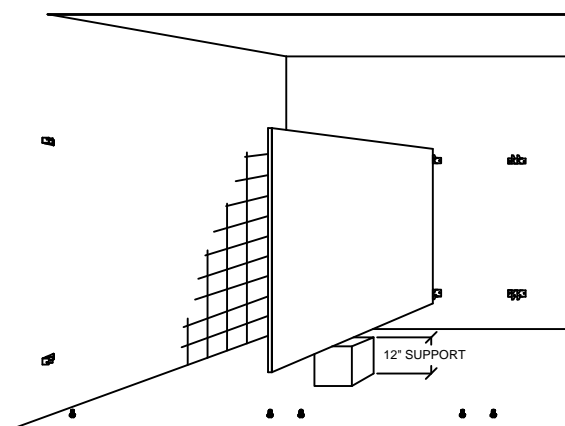
- A. Drill holes for wall brackets and floor anchors of appropriate size for particular fastening devices supplied. Typically, 1/4" bit for walls and compartment thru-bolts, and 3/8" bit for floors. As site conditions and hardware combinations vary, an assortment of bit sizes are recommended.
- B. Insert anchoring devices in walls and secure wall brackets.
- C. Install wedge anchor,washer and nut into concrete floor and tighten.



STEP 3
POSITION PANEL

FIGURE 3

- A. Place panel on a support, 12" above the floor.
- B. Set it into wall brackets,but do not fasten panel at this time.



**STEP 4
PILASTER PREPARATION**

- A. Align U-brackets in position on rear of pilasters. Refer to layout drawings and make sure brackets are in alignment with wall brackets.
- B. Fasten U-brackets to pilaster with sheet metal screws.
- C. Pilasters at wall do not require U-brackets, but should be prepared for wall and floor fastening as required by compartment layout.

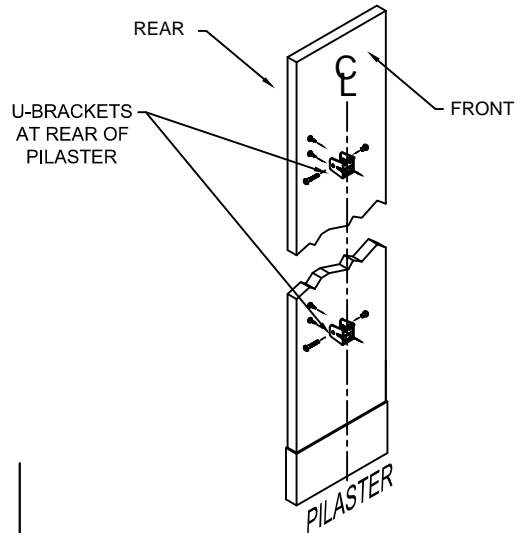


FIGURE 4

**STEP 5
INSTALL PILASTERS**

- A. On each wedge anchor thread place 3/8" support nut down to approximately 1" up from floor level and place square washer over each anchor.
- B. Slide pilaster shoe onto pilaster and position pilaster mounting bar on threaded anchor and attach lightly with square flat washer, lockwasher and locking nut.

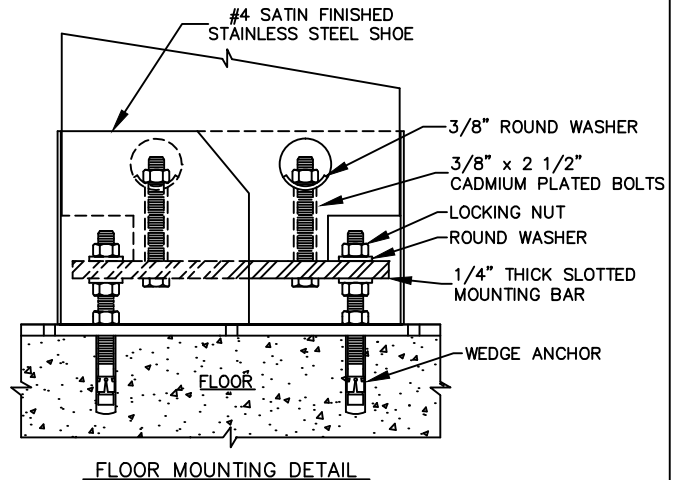


FIGURE 5

**STEP 6
SECURING PILASTERS/PANELS**

- A. Level each pilaster by adjusting both support nuts to desired position.
- B. Plumb each pilaster and fasten the pilaster to panel with "U" brkts using through bolts or sheet metal screws.
- C. Establish door openings by setting pilaster mounting bar to desired position on stud.
- D. Tighten locking nuts on top of pilaster mounting bar.
- E. Fasten panel to wall brackets using through bolts.
- F. Secure shoe to pilaster with screw provided.
- G. Remove panel support device.

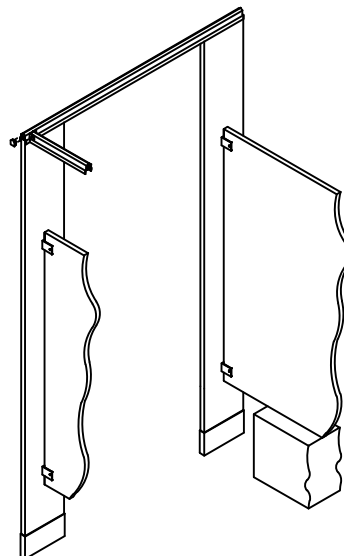









FIGURE 6

FLOOR ANCHORED
PANEL TO PILASTER/WALL
TWO EAR ASSEMBLY
PHENOLIC

Pilasters must be both plumb and level. To assist in leveling, headrail may be lightly positioned across adjacent pilasters (do not fasten at this time)
 Refer to steps 4 & 6

- A. Plumb panel and fasten panel to 2-ear bracket at wall with through bolts.
- B. Fasten pilaster to panel using through bolts to fasten "U" brackets to pilaster.

Panel Hardware Kit (P/N 8275020) Includes: STAINLESS STEEL		
PART ID.	DESCRIPTION	QTY
1	 Two Ear Bracket	(2)
2	 "U" Bracket	(2)
3	 Vandal Resistant S/S Step Bolts 1/2" Long	(4)
4	 Vandal Resistant S/S Barrel Nut	(4)
5	 Vandal Resistant 2 1/2" S.M.S	(4)
6	 Plastic Shields	(4)
7	 Vandal Resistant 3/4" S.M.S	(4)

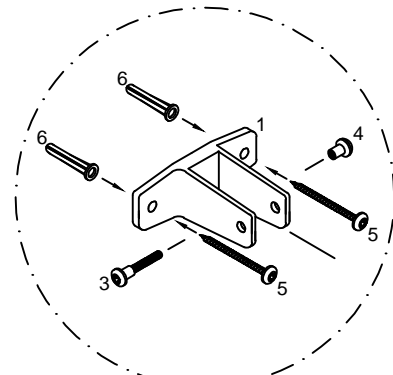
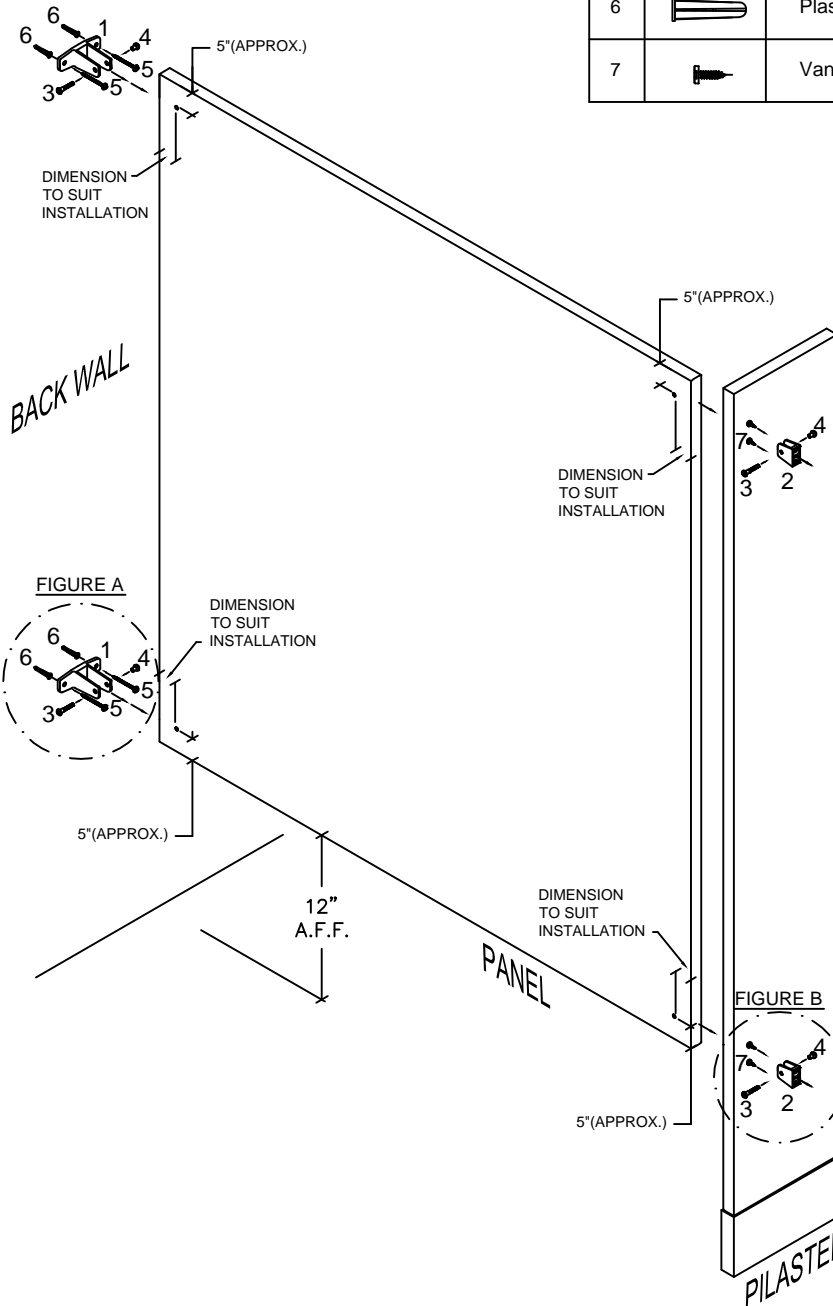


FIGURE A

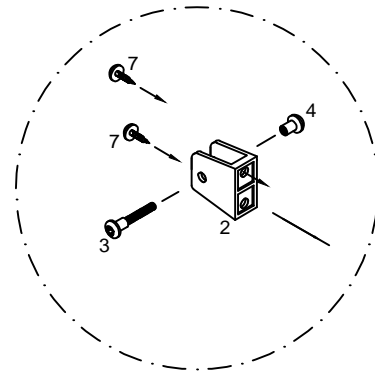


FIGURE B

NOTE:
 Two Vandal resistant 3/4" screws
 To Fasten U-bracket To Pilaster.

**FLOOR ANCHORED
PANEL TO PILASTER/WALL
ONE EAR ASSEMBLY
PHENOLIC**

Pilasters must be both plumb and level. To assist in leveling, headrail may be lightly positioned across adjacent pilasters (do not fasten at this time) Refer to steps 4 & 6.

- A. Plumb panel and fasten panel to 1-ear bracket at wall with through bolts.
- B. Plumb pilaster and fasten pilaster to panel using through bolts with barrel nuts. Use sheet metal screws to fasten "U" brkts to pilaster.

Panel Hardware Kit (P/N 8275010) Includes: STAINLESS STEEL			
PART ID.		DESCRIPTION	QTY
1		One Ear Bracket	(2)
2		"U" Bracket	(2)
3		Vandal Resistant S/S Step Bolts 1/2" Long	(4)
4		Vandal Resistant S/S Barrel Nut	(4)
5		Vandal Resistant 2 1/2" S.M.S	(4)
6		Plastic Shields	(4)
7		Vandal Resistant 3/4" S.M.S	(4)

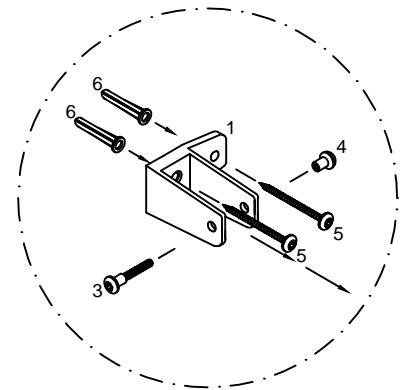
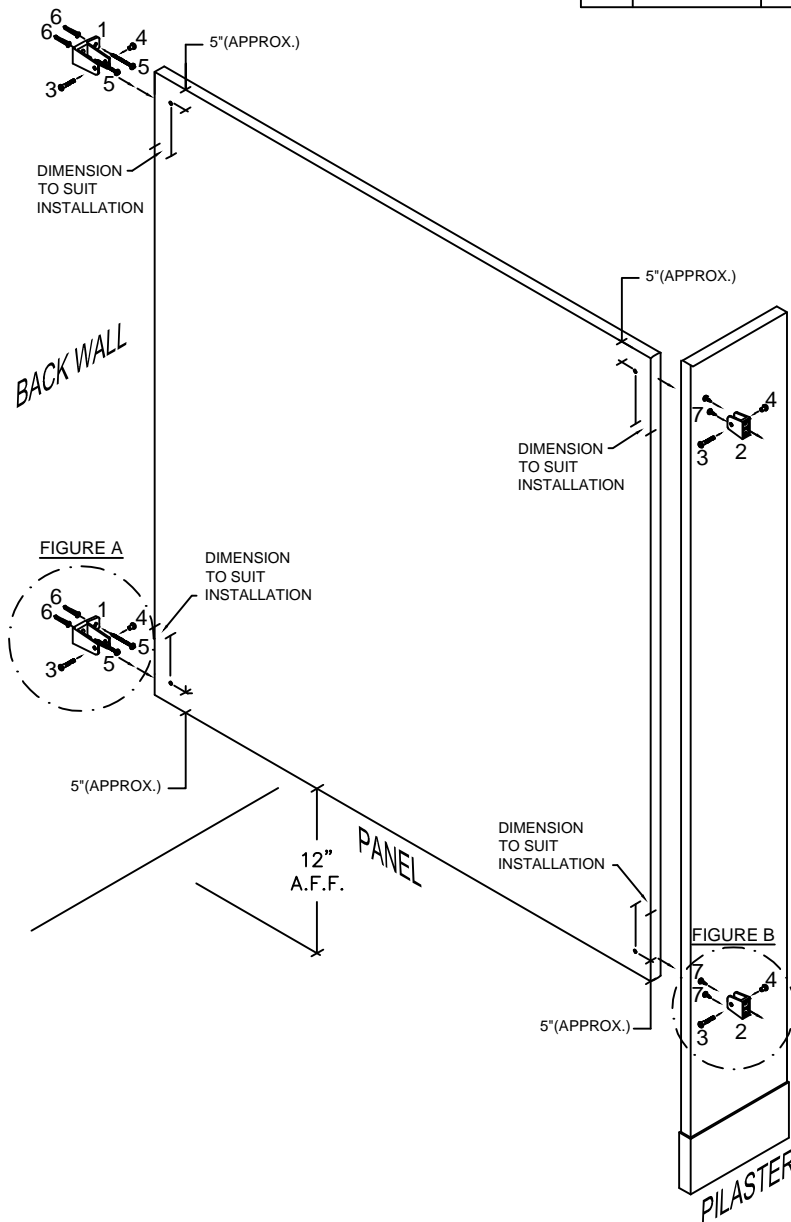


FIGURE A

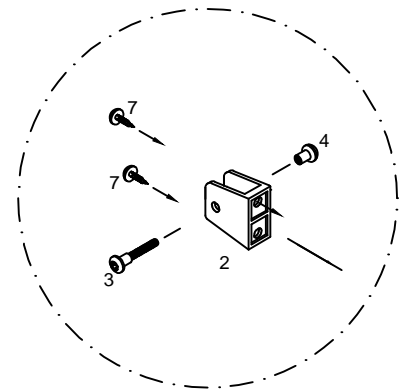








FIGURE B

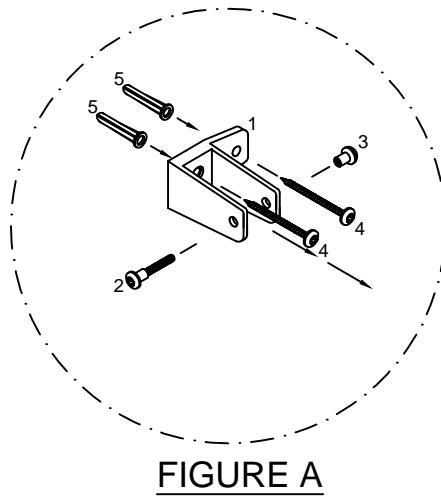
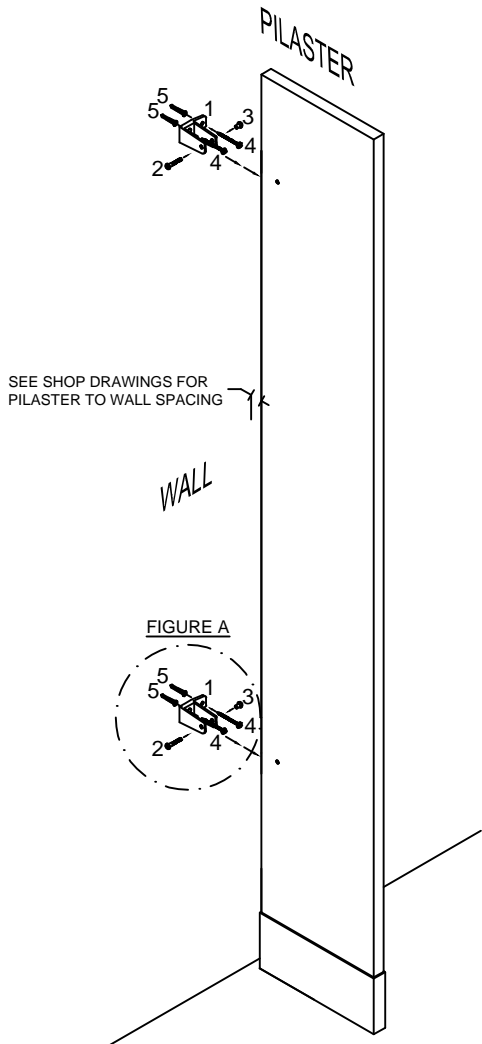
NOTE:
Two Vandal resistant 3/4" screws
To Fasten U-bracket To Pilaster.

**FLOOR ANCHORED
PILASTER/WALL
ASSEMBLY
PHENOLIC**

Pilasters must be both plumb and level. To assist in leveling, headrail may be lightly positioned across adjacent pilasters(do not fasten at this time)

- A. Fasten pilaster to wall using through bolts or sheet metal screws.
- B. Establish bottom door openings by adjusting pilaster mounting bar to desired position and tighten nuts.Refer to step 6.

Pilaster/Wall Hardware Kit (P/N 8275210) Includes: STAINLESS STEEL			
PART ID.		DESCRIPTION	QTY
1		S/S One Ear Wall Bracket	(2)
2		Vandal Resistant S/S Step Bolts 3/4" Long	(2)
3		Vandal Resistant S/S Barrel Nut	(6)
4		Vandal Resistant 2 1/2" S.M.S	(4)
5		Plastic Shields	(4)
6		Vandal Resistant S/S Step Bolts 1/2" Long	(4)

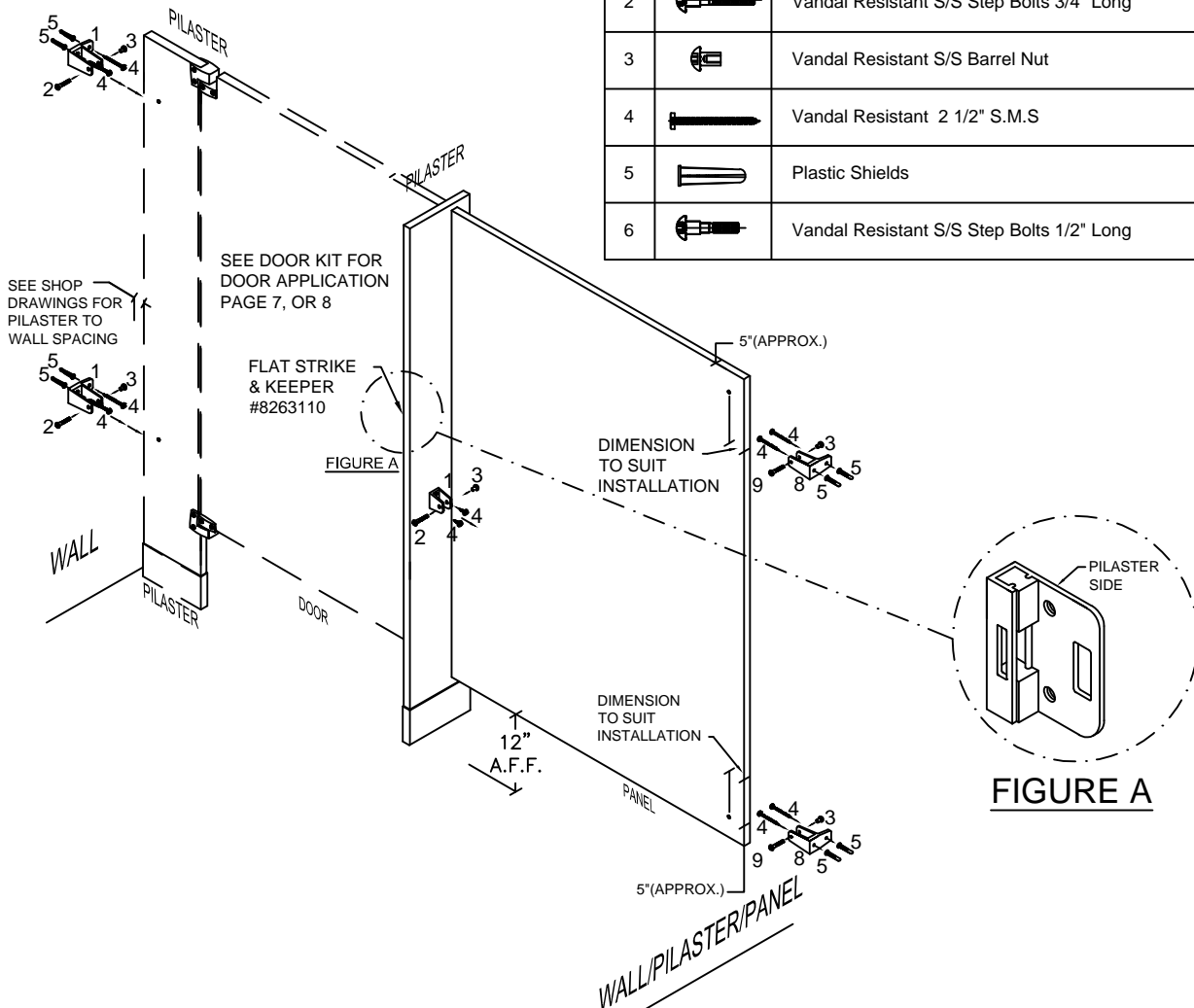


**FLOOR ANCHORED
PILASTER/PANEL ALCOVE
ASSEMBLY
PHENOLIC**

Note:
Replace P/N#8275010 with P/N#8275020
for two ear locations.

Panel Hardware Kit (P/N 8275010) Includes: STAINLESS STEEL			
PART ID.		DESCRIPTION	QTY
1		One Ear Bracket	(2)
2		"U" Bracket	(2)
3		Vandal Resistant S/S Step Bolts 1/2" Long	(4)
4		Vandal Resistant S/S Barrel Nut	(4)
5		Vandal Resistant 2 1/2" S.M.S	(4)
6		Plastic Shields	(4)
7		Vandal Resistant 3/4" S.M.S	(4)

Pilaster/Wall Hardware Kit (P/N 8275210) Includes: STAINLESS STEEL			
PART ID.		DESCRIPTION	QTY
1		S/S One Ear Wall Bracket	(2)
2		Vandal Resistant S/S Step Bolts 3/4" Long	(2)
3		Vandal Resistant S/S Barrel Nut	(6)
4		Vandal Resistant 2 1/2" S.M.S	(4)
5		Plastic Shields	(4)
6		Vandal Resistant S/S Step Bolts 1/2" Long	(4)

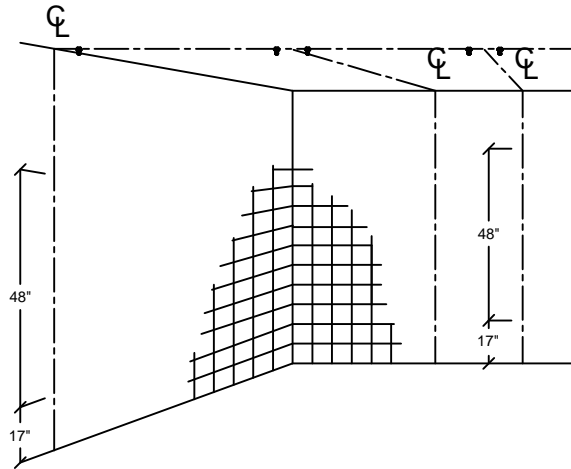


STEP 1
LAYOUT
CEILING HUNG

FIGURE 1

STRUCTURAL STEEL BY OTHERS

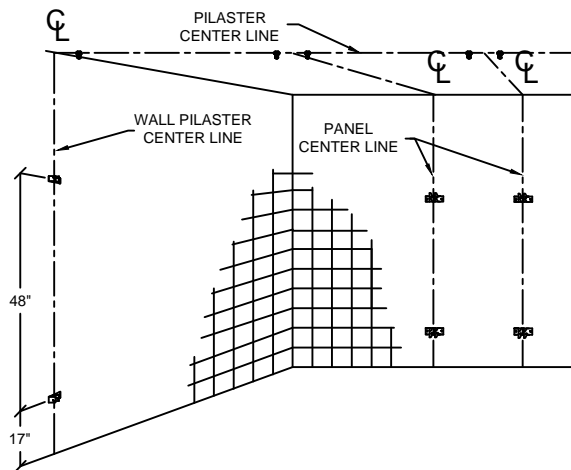
- A. Review the layout drawings and package lists that have accompanied this job.
- B. Before proceeding, confirm that backing of wall and ceiling is adequate to support secure mounting of toilet compartment units.
- C. Confirm correct location and condition of threaded ceiling rods. These should project 2" to 2-1/2" below finished ceiling.
- D. Establish and mark pilaster and panel center lines in relation to ceiling rod locations and drawings.
- E. Mark wall bracket holes using brackets as templates.



STEP 2
WALL BRACKETS AND
CEILING FASTENING

FIGURE 2

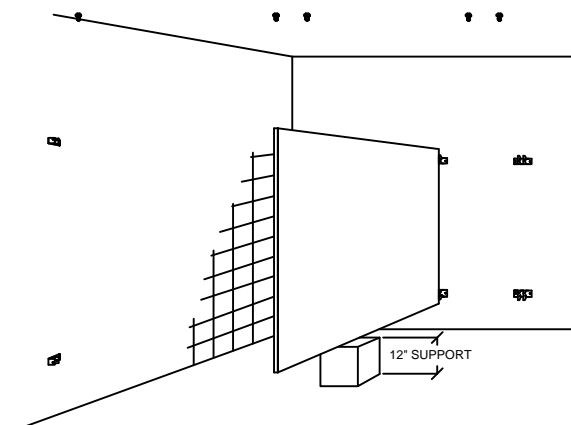
- A. Drill holes for wall brackets of appropriate size for particular fastening devices supplied.
- B. Insert anchoring devices in walls and secure wall brackets.



STEP 3
POSITION PANEL

FIGURE 3

- A. Place panel on a support, 12" above the floor.
- B. Set it into wall brackets, but do not fasten panel at this time.



**STEP 4
PILASTER PREPARATION**

- A. Align U-brackets in position on rear of pilasters. Refer to layout drawings.
- B. Fasten U-brackets to pilaster with sheet metal screws.
- C. Pilasters at wall do not require U-brackets.

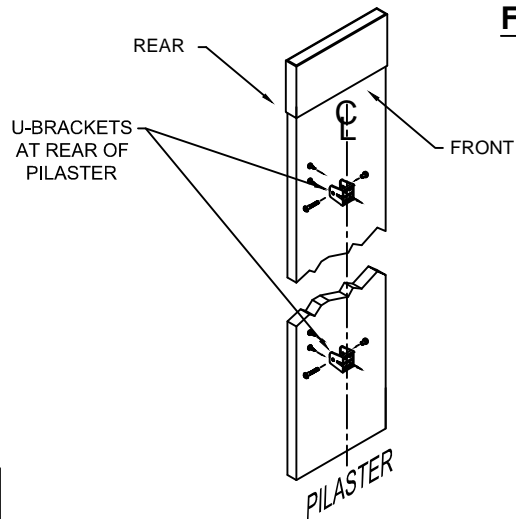
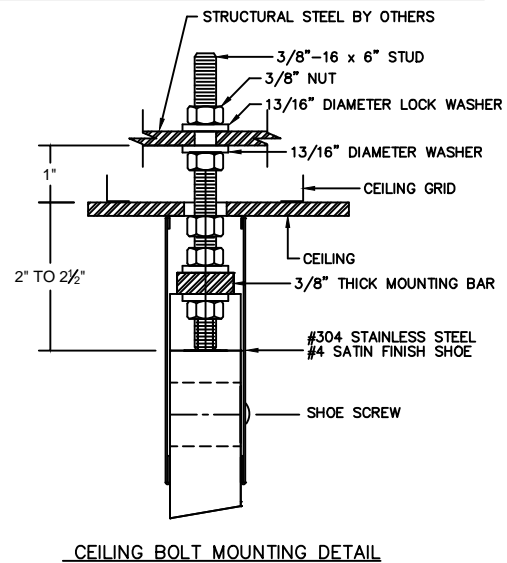


FIGURE 4

**STEP 5
INSTALL PILASTERS**

NOTE: STRUCTURAL STEEL BY OTHERS

- A. Thread support nuts and mounting washers over threaded rods to support pilaster mounting bar.
- B. Slide shoe onto pilaster. Position pilaster and mounting bar on threaded rods and attach lightly with square flat washer, lockwasher, and locking nut.



CEILING BOLT MOUNTING DETAIL

**STEP 6
SECURING PILASTERS TO PANELS**

- A. Level each pilaster by adjusting both support nuts to desired position.
- B. Plumb each pilaster and fasten the pilaster to panel using through bolts or sheet metal screws.
- C. Establish door openings by setting pilaster mounting bar to desired position on stud.
- D. Tighten locking nuts on top of pilaster mounting bar.
- E. Fasten panel to wall brackets using through bolts.
- F. Screw shoe to pilaster.
- G. Remove panel support device.

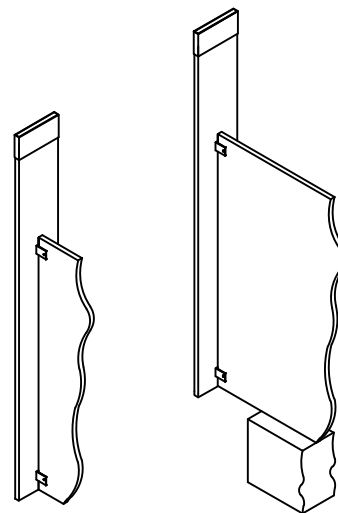


FIGURE 6

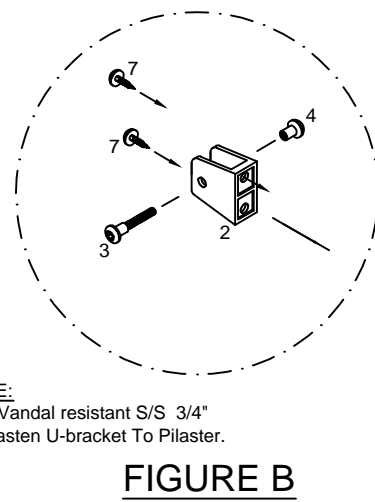
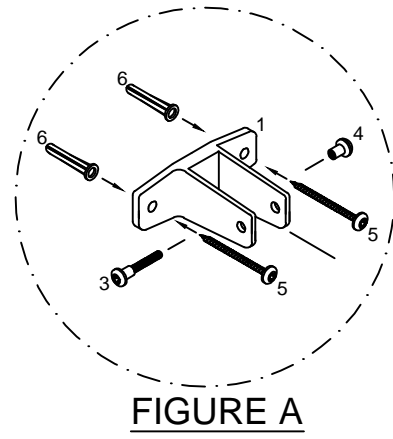
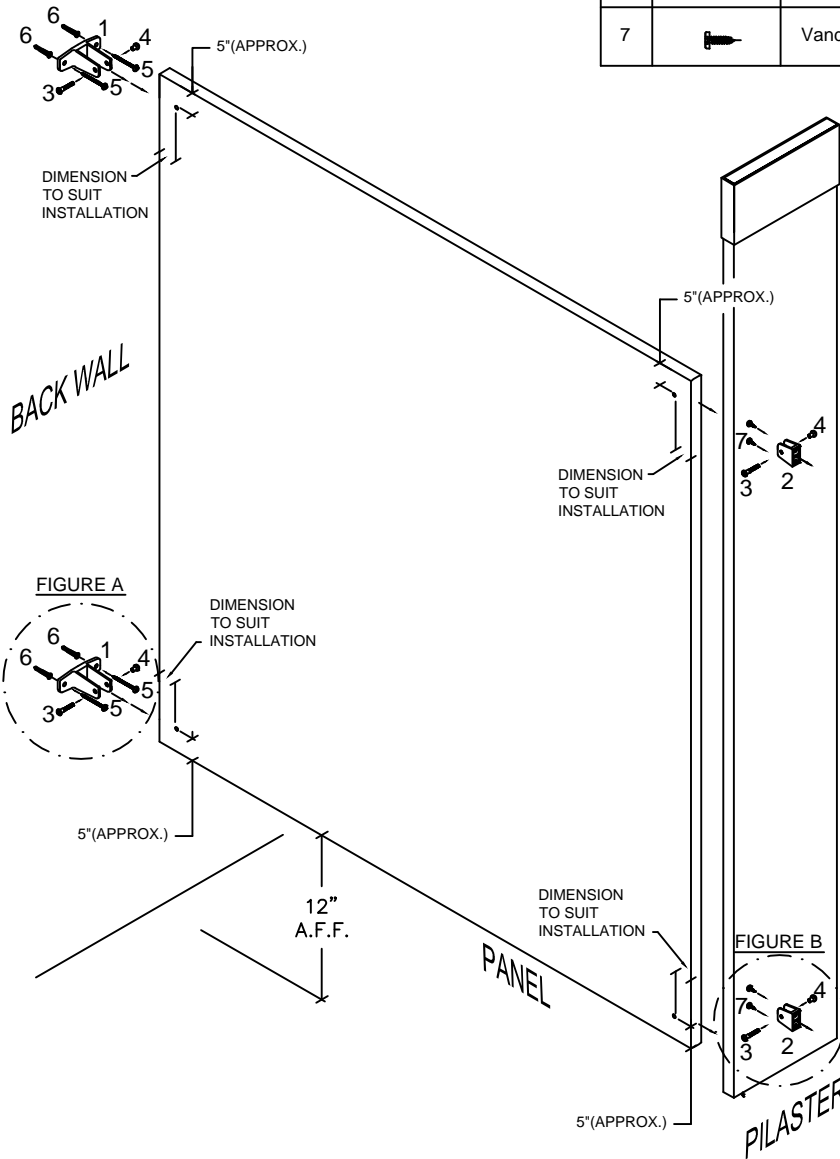
**CEILING ANCHORED
PANEL TO PILASTER/WALL
TWO EAR ASSEMBLY**

PHENOLIC

Pilasters must be both plumb and level.
Refer to steps 4 & 6.

- A. Plumb panel and fasten panel to 2-ear bracket at wall with through bolts.
- B. Plumb pilaster and fasten pilaster to panel using through bolts or sheet metal screws to "U" brackets.

Panel Hardware Kit (P/N 8275010) Includes: STAINLESS STEEL			
PART ID.		DESCRIPTION	QTY
1		One Ear Bracket	(2)
2		"U" Bracket	(2)
3		Vandal Resistant S/S Step Bolts 1/2" Long	(4)
4		Vandal Resistant S/S Barrel Nut	(4)
5		Vandal Resistant 2 1/2" S.M.S	(4)
6		Plastic Shields	(4)
7		Vandal Resistant 3/4" S.M.S	(4)



NOTE:
Two Vandal resistant S/S 3/4"
To Fasten U-bracket To Pilaster.

**CEILING ANCHORED
PANEL TO PILASTER/WALL
ONE EAR ASSEMBLY
PHENOLIC**

Pilasters must be both plumb and level.
Refer to steps 4 & 6.

- A. Plumb panel and fasten panel to 1-ear bracket at wall with through bolts.
- B. Plumb pilaster and fasten pilaster to panel using through bolts or sheet metal screws to "U" brackets.

Panel Hardware Kit (P/N 8275010) Includes: STAINLESS STEEL			
PART ID.		DESCRIPTION	QTY
1		One Ear Bracket	(2)
2		"U" Bracket	(2)
3		Vandal Resistant S/S Step Bolts 1/2" Long	(4)
4		Vandal Resistant S/S Barrel Nut	(4)
5		Vandal Resistant 2 1/2" S.M.S	(4)
6		Plastic Shields	(4)
7		Vandal Resistant 3/4" S.M.S	(4)

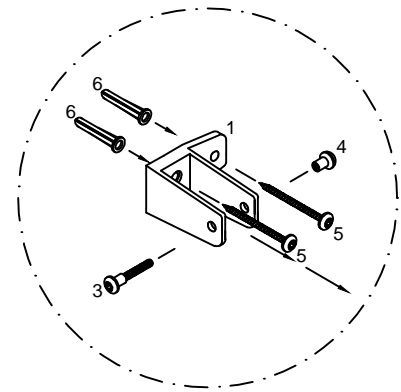
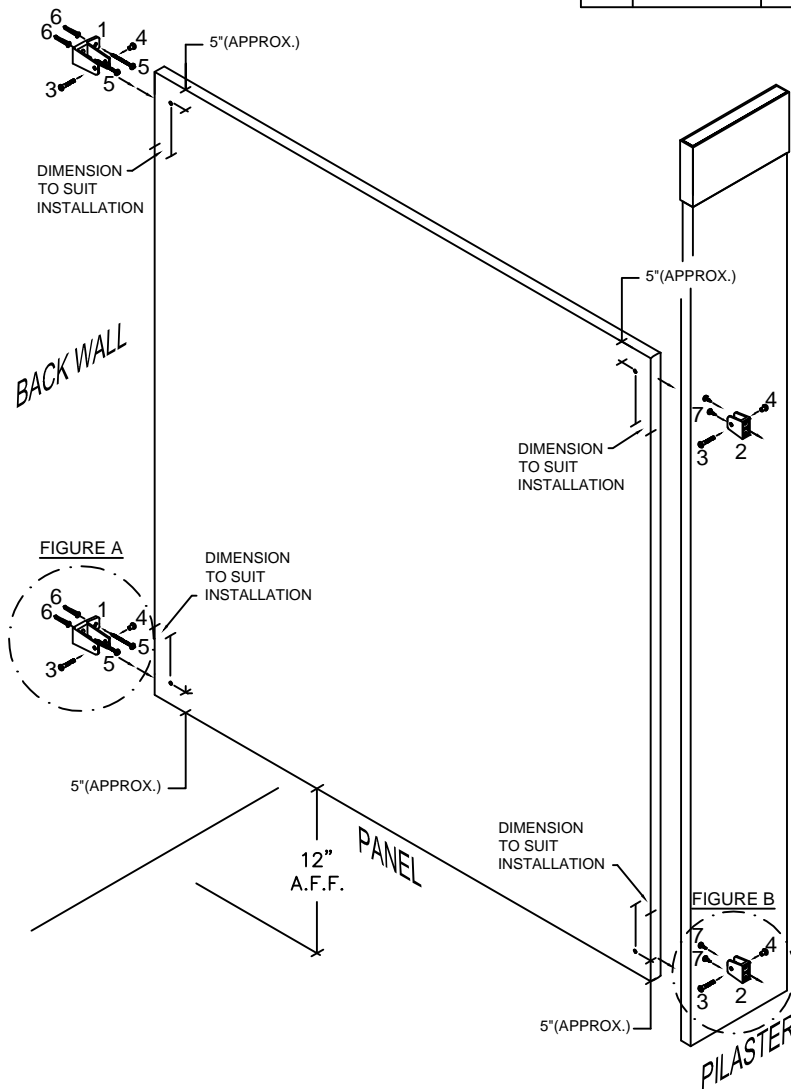


FIGURE A

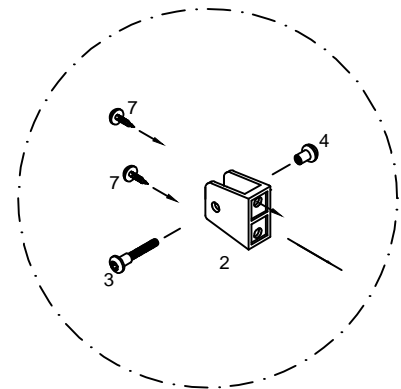








FIGURE B

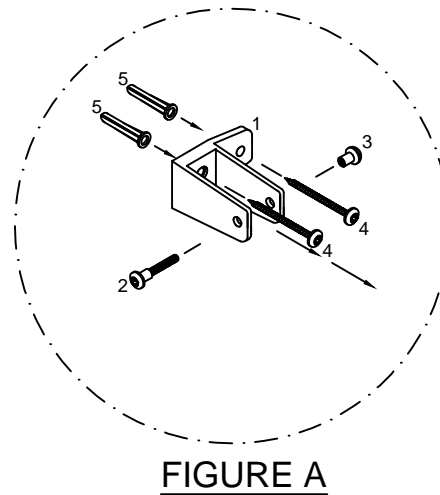
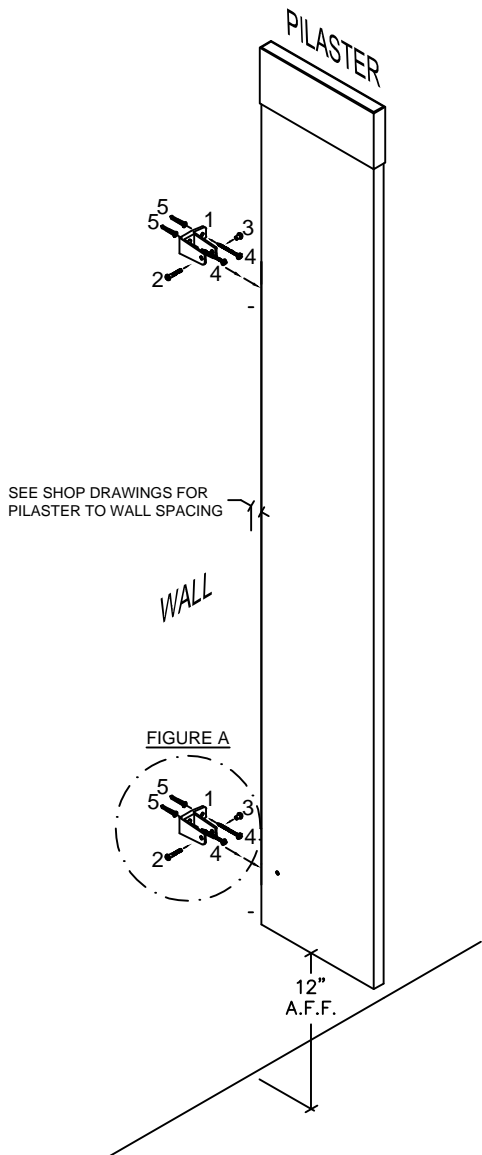
NOTE:
Two Vandal resistant S/S 3/4"
To Fasten U-bracket To Pilaster.

**CEILING ANCHORED
PILASTER/WALL
ASSEMBLY
PHENOLIC**

Pilasters must be both plumb and level.

- A. Fasten pilaster to wall using through bolts or sheet metal screws.
- B. Establish bottom door openings by adjusting pilaster to desired position and tighten nuts. Refer to step 6.

Pilaster/Wall Hardware Kit (P/N 8275210) Includes: STAINLESS STEEL			
PART ID.		DESCRIPTION	QTY
1		S/S One Ear Wall Bracket	(2)
2		Vandal Resistant S/S Step Bolts 3/4" Long	(2)
3		Vandal Resistant S/S Barrel Nut	(6)
4		Vandal Resistant 2 1/2" S.M.S	(4)
5		Plastic Shields	(4)
6		Vandal Resistant S/S Step Bolts 1/2" Long	(4)

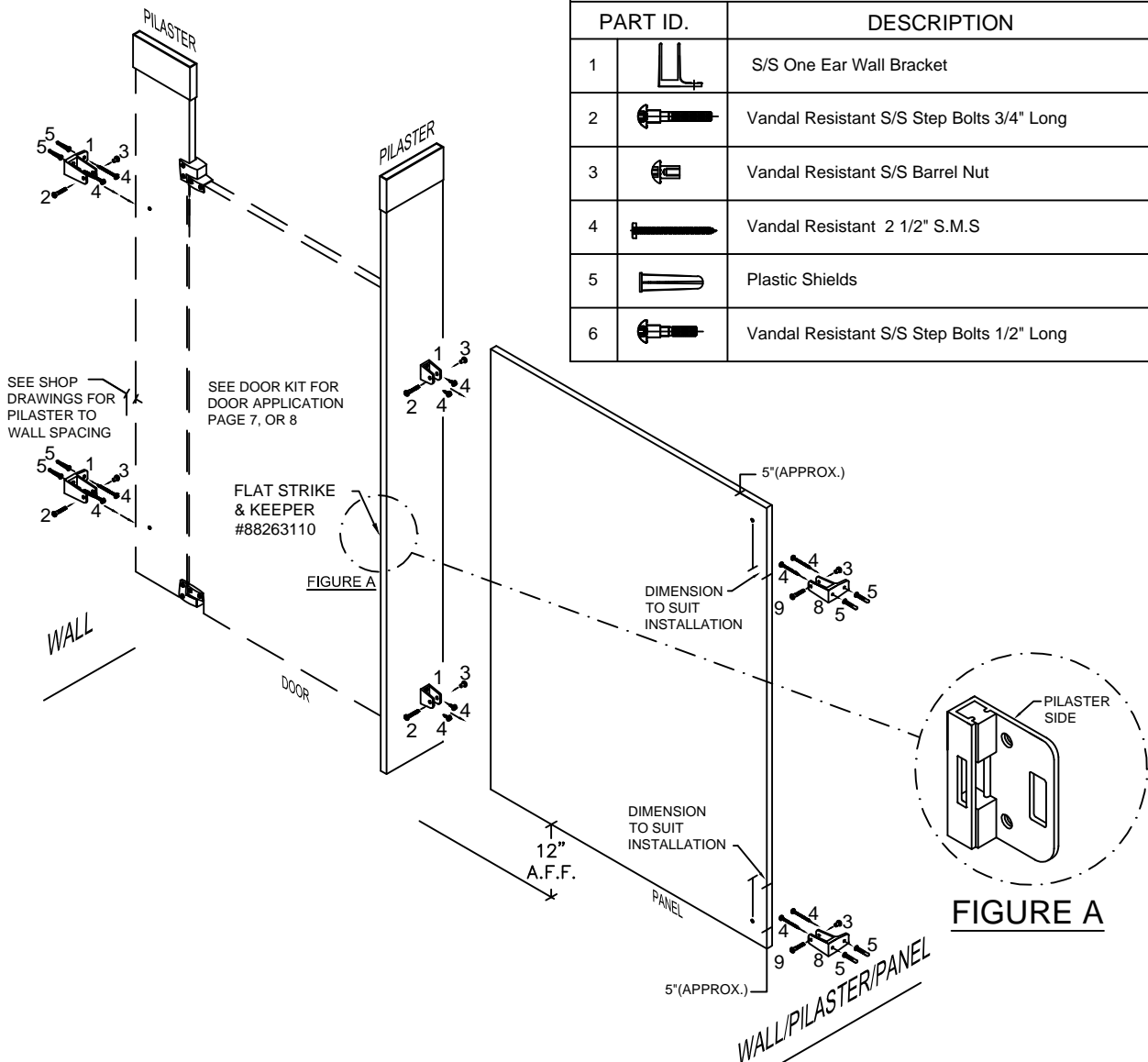


**CEILING ANCHORED
PILASTER/PANEL ALCOVE
ASSEMBLY
PHENOLIC**

Note:
Replace P/N#8275010 with P/N#8275020
for two ear locations.

Panel Hardware Kit (P/N 8275010) Includes: STAINLESS STEEL			
PART ID.		DESCRIPTION	QTY
1		One Ear Bracket	(2)
2		"U" Bracket	(2)
3		Vandal Resistant S/S Step Bolts 1/2" Long	(4)
4		Vandal Resistant S/S Barrel Nut	(4)
5		Vandal Resistant 2 1/2" S.M.S	(4)
6		Plastic Shields	(4)
7		Vandal Resistant 3/4" S.M.S	(4)

Pilaster/Wall Hardware Kit (P/N 8275210) Includes: STAINLESS STEEL			
PART ID.		DESCRIPTION	QTY
1		S/S One Ear Wall Bracket	(2)
2		Vandal Resistant S/S Step Bolts 3/4" Long	(2)
3		Vandal Resistant S/S Barrel Nut	(6)
4		Vandal Resistant 2 1/2" S.M.S	(4)
5		Plastic Shields	(4)
6		Vandal Resistant S/S Step Bolts 1/2" Long	(4)



STEP 1

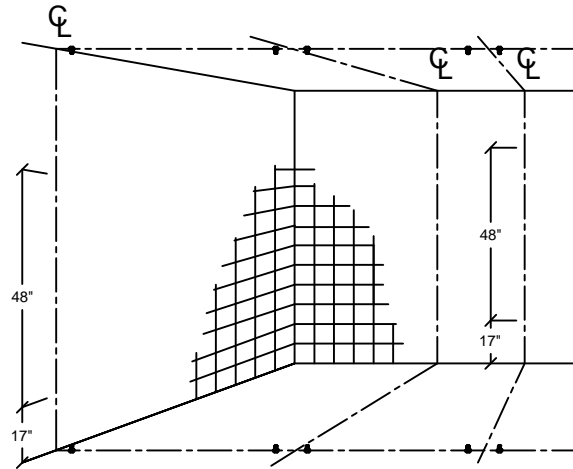
LAYOUT

FLOOR ANCHORED/CEILING ANCHORED

NOTE: FLOOR MUST BE CONCRETE.
STRUCTURAL STEEL BY OTHERS

- A. Review the layout drawings and package lists that have accompanied this job.
- B. Before proceeding, confirm that backing of wall and ceiling support is adequate to secure mounting of toilet compartment units.
- C. Establish and mark pilaster center line from back wall.
- D. Establish and mark panel center lines for wall brackets.
- E. Establish pilaster floor and ceiling fastener locations from side wall according to shop drawings. (Note fasteners are located 1" from edge of pilaster.)
- F. Mark wall bracket holes using brackets as templates.

FIGURE 1

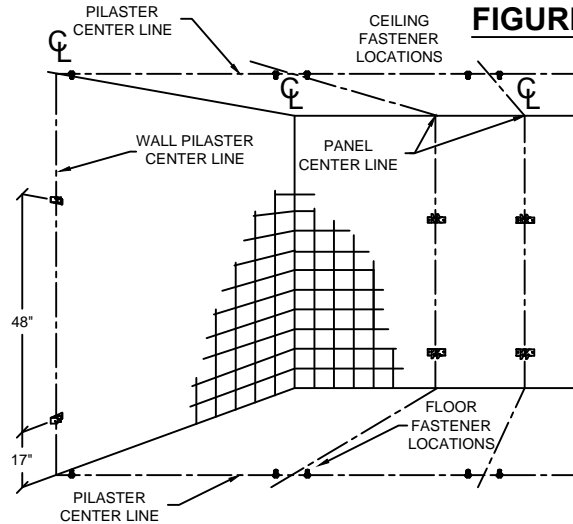


STEP 2

WALL BRACKETS AND FLOOR/CEILING FASTENERS

- A. Drill holes for wall brackets and floor fastenings of appropriate size for particular fastening devices supplied.
- B. Insert anchoring devices in walls and secure wall brackets.
- C. Install wedge anchor with washer and nut into concrete floor and tighten.

FIGURE 2

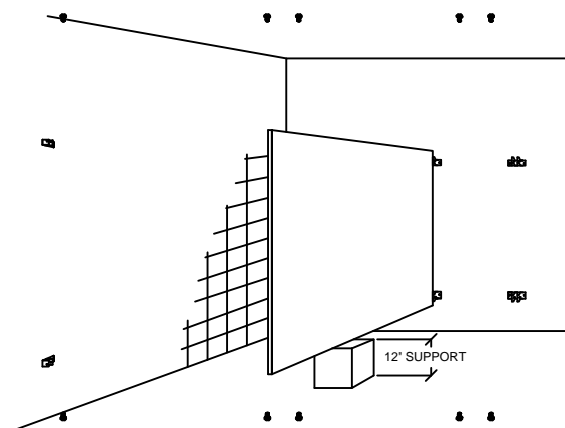


STEP 3

POSITION PANEL

- A. Place panel on a support, 12" above the floor.
- B. Set it into wall brackets, but do not fasten panel at this time.

FIGURE 3



**STEP 4
PILASTER PREPARATION**

- A. Align U-brackets in position on rear of pilasters. Refer to layout drawings.
- B. Fasten U-brackets to pilaster with sheet metal screws.
- C. Pilasters at wall do not require U-brackets, but should be prepared for wall, floor and ceiling as required by compartment layout.

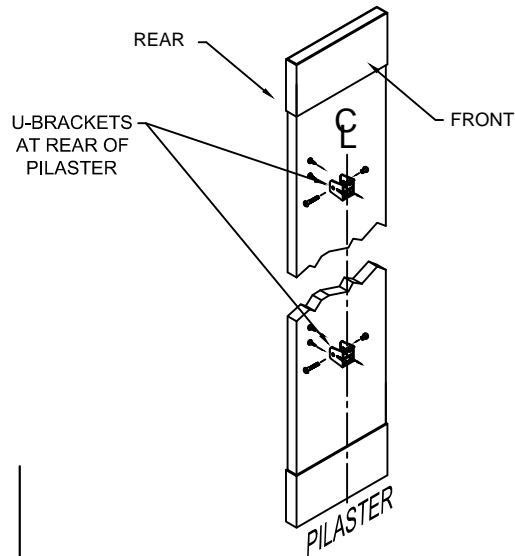


FIGURE 4

**STEP 5
INSTALL PILASTERS**

NOTE: STRUCTURAL STEEL BY OTHERS

- A. Thread support nuts and mounting washers over threaded rods at ceiling to support pilaster mounting bar.
- B. Slide shoes onto pilaster. Lift pilaster over floor anchors and set in place.
- C. Position pilaster and mounting bar on anchors at floor and attach lightly with square flat washer, lockwasher, and locking nut.

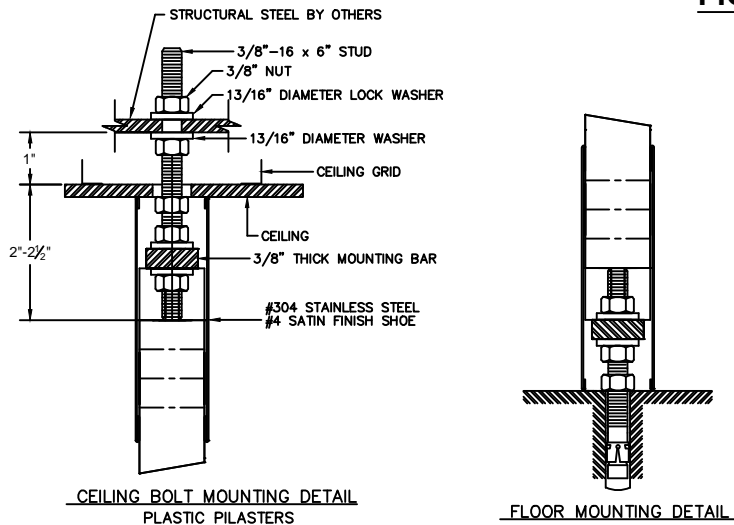


FIGURE 5

**STEP 6
SECURING PILASTERS/ PANELS**

- A. Level each pilaster by adjusting both support nuts to desired position.
- B. Plumb each pilaster and fasten the pilaster to panel using through bolts.
- C. Establish door openings by setting pilaster mounting bars to desired position.
- D. Tighten locking nuts on top and bottom of pilaster mounting bar.
- E. Fasten panel to wall brackets using through bolts.
- F. Screw shoes to pilaster.
- G. Remove panel support device.

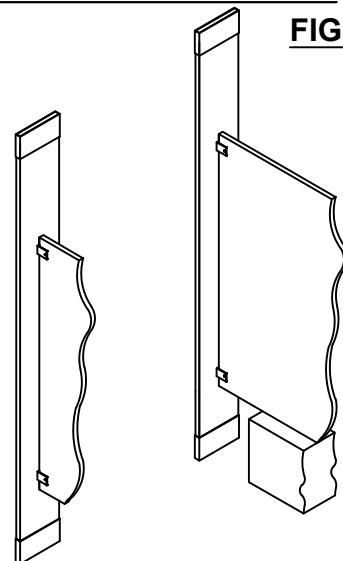


FIGURE 6




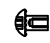

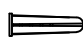

**FLOOR ANCHORED/CEILING ANCHORED
PANEL TO PILASTER/WALL
TWO EAR ASSEMBLY**

PHENOLIC

Pilasters must be both plumb and level.
Refer to steps 4 & 6.

- A. Plumb panel and fasten panel to 2-ear bracket at wall with through bolts.
- B. Plumb pilaster and fasten pilaster to panel using through bolts or sheet metal screws to "U" brackets.

Panel Hardware Kit (P/N 8275020) Includes:
STAINLESS STEEL

PART ID.	DESCRIPTION	QTY
1	 Two Ear Bracket	(2)
2	 "U" Bracket	(2)
3	 Vandal Resistant S/S Step Bolts 1/2" Long	(4)
4	 Vandal Resistant S/S Barrel Nut	(4)
5	 Vandal Resistant S/S 2 1/2" S.M.S	(4)
6	 Plastic Shields	(4)
7	 Vandal Resistant S/S 3/4" S.M.S	(4)

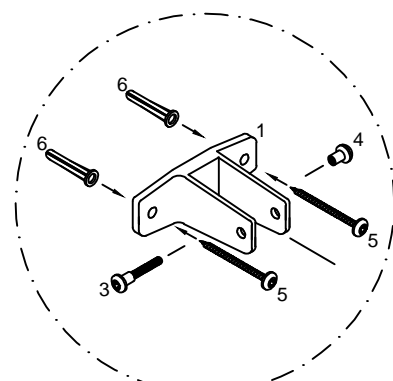
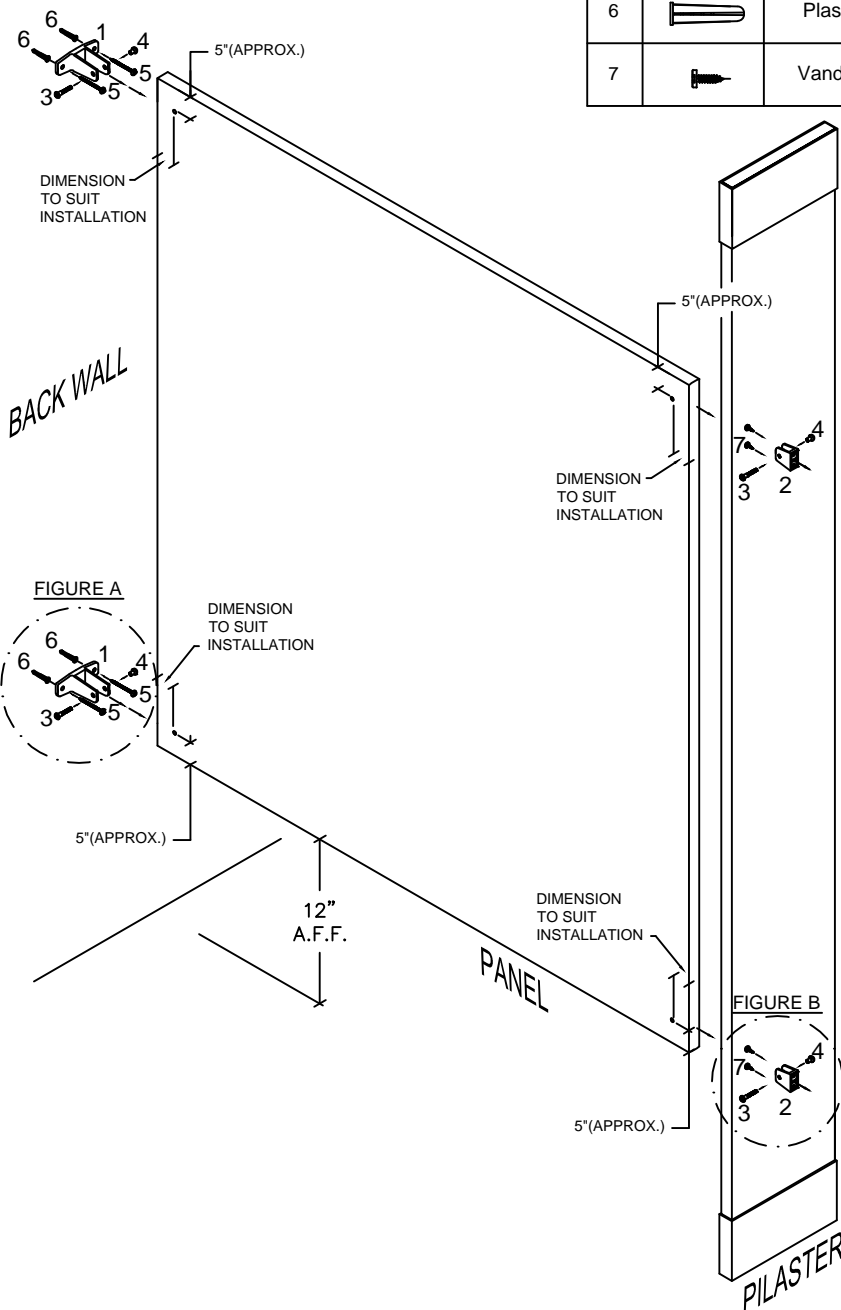
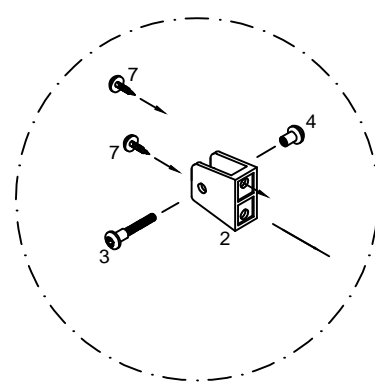


FIGURE A



NOTE:
Two Vandal resistant S/S 3/4" S.M.S.
To Fasten U-bracket To Pilaster.


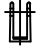





FIGURE B

**FLOOR ANCHORED/CEILING ANCHORED
PANEL TO PILASTER/WALL
ONE EAR ASSEMBLY**

PHENOLIC

Pilasters must be both plumb and level.
Refer to steps 4 & 6.

- A. Plumb panel and fasten panel to 1-ear bracket at wall with through bolts.
- B. Plumb pilaster and fasten pilaster to panel using through bolts or sheet metal screws to "U" brackets.

Panel Hardware Kit (P/N 8275010) Includes: STAINLESS STEEL			
PART ID.		DESCRIPTION	QTY
1		One Ear Bracket	(2)
2		"U" Bracket	(2)
3		Vandal Resistant S/S Step Bolts 1/2" Long	(4)
4		Vandal Resistant S/S Barrel Nut	(4)
5		Vandal Resistant 2 1/2" S.M.S	(4)
6		Plastic Shields	(4)
7		Vandal Resistant 3/4" S.M.S	(4)

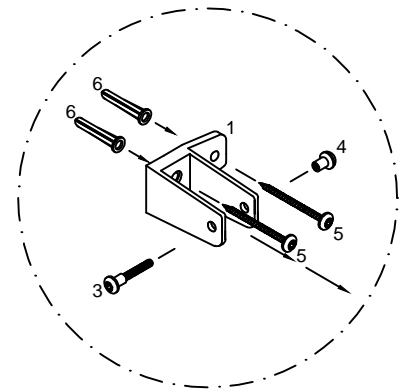
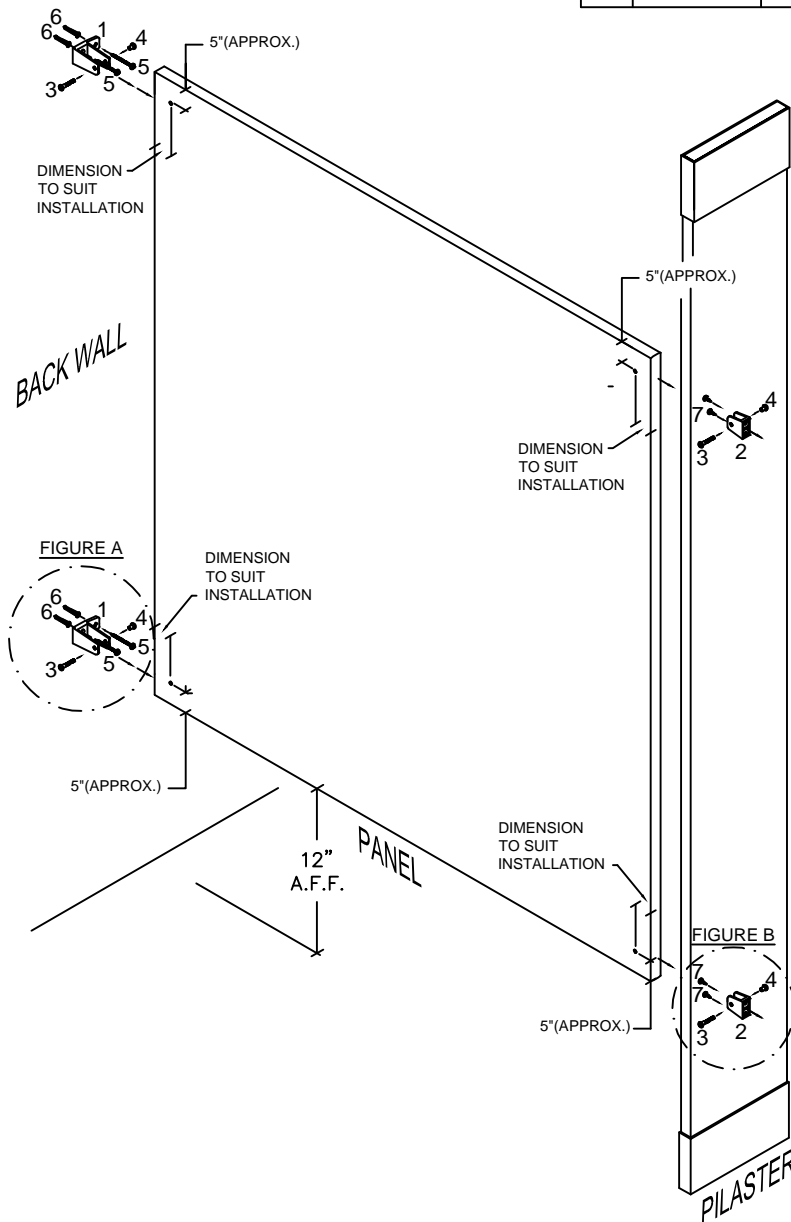


FIGURE A

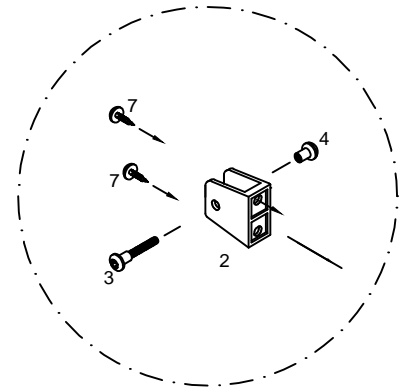








FIGURE B

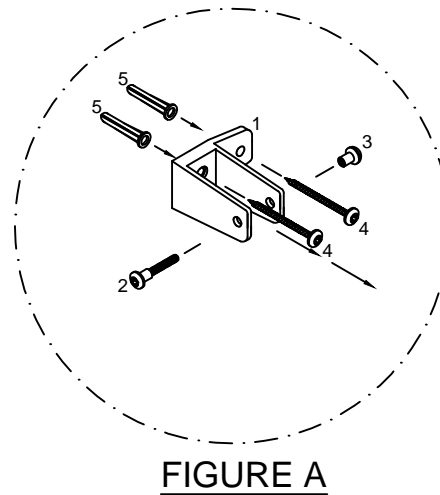
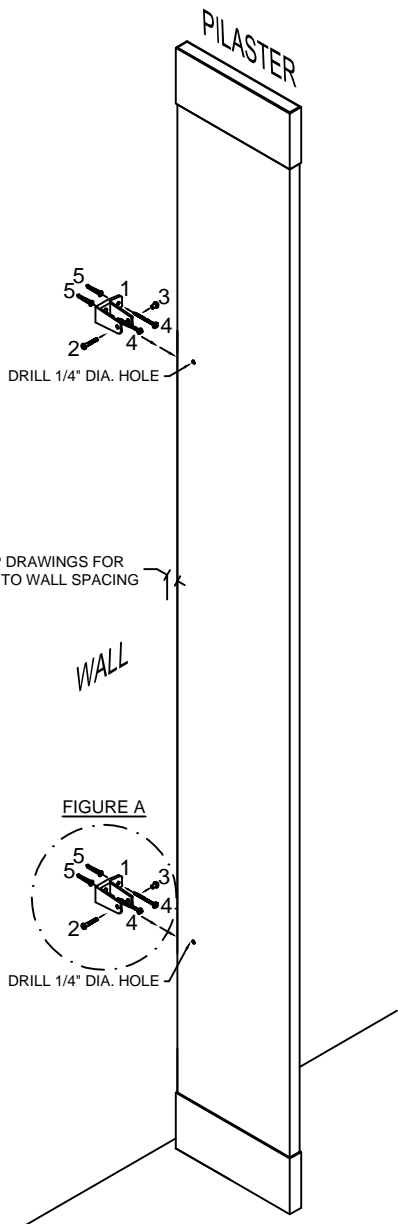
NOTE:
Two Vandal resistant S/S 3/4" S.M.S.
To Fasten U-bracket To Pilaster.

**FLOOR ANCHORED/CEILING ANCHORED
PILASTER/WALL
ASSEMBLY
PHENOLIC**

Pilasters must be both plumb and level.

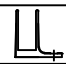






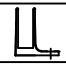

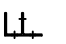
- A. Fasten pilaster to wall using through bolts or sheet metal screws.
- B. Establish bottom door openings by adjusting pilaster to desired position and tighten nuts. Refer to step 6.

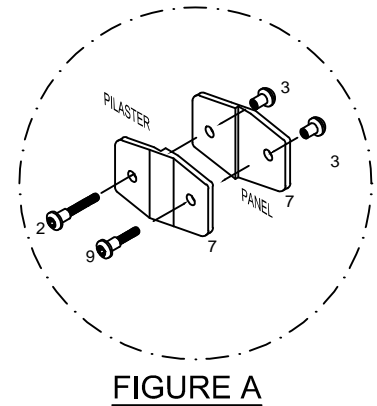
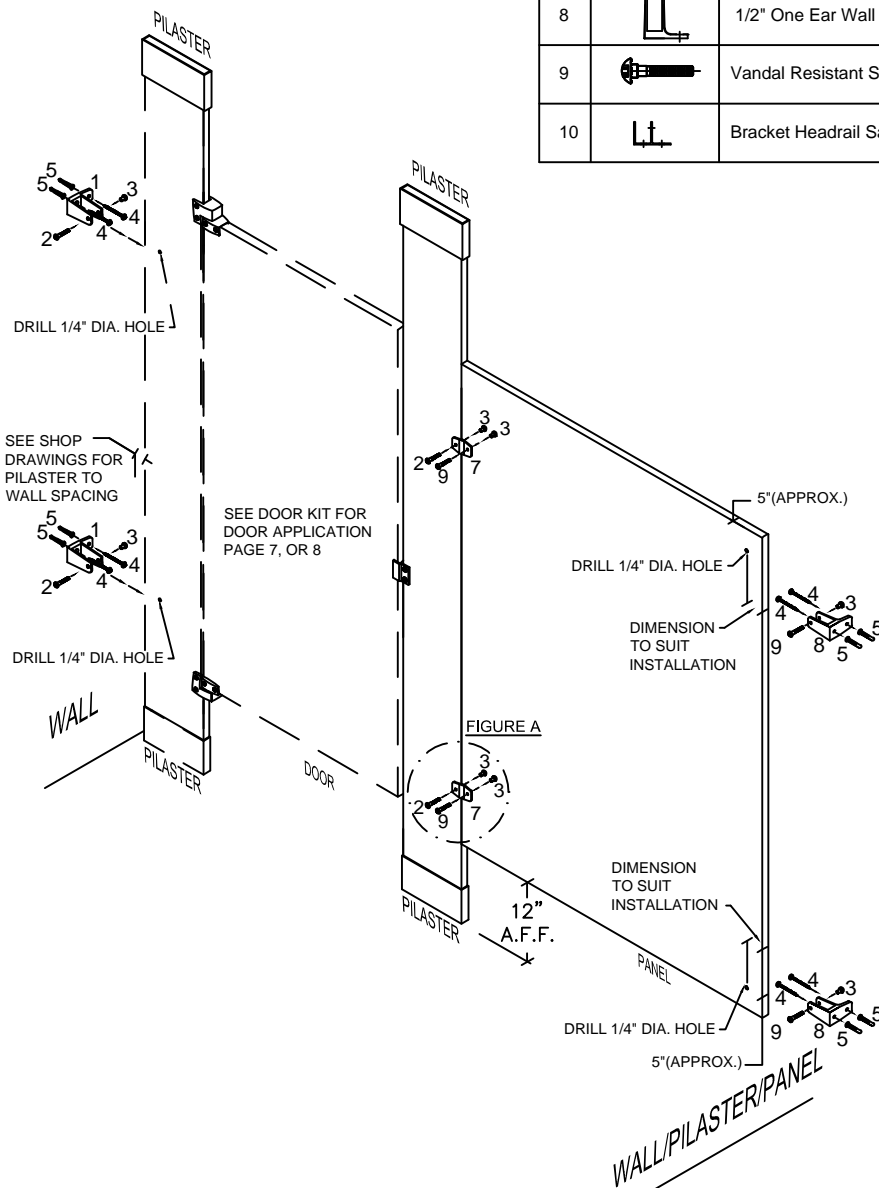
Pilaster/Wall Hardware Kit (P/N 8275210) Includes: STAINLESS STEEL			
PART ID.		DESCRIPTION	QTY
1		S/S One Ear Wall Bracket	(2)
2		Vandal Resistant S/S Step Bolts 3/4" Long	(2)
3		Vandal Resistant S/S Barrel Nut	(6)
4		Vandal Resistant 2 1/2" S.M.S	(4)
5		Plastic Shields	(4)
6		Vandal Resistant S/S Step Bolts 1/2" Long	(4)




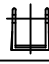



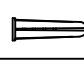

**FLOOR ANCHORED AND
CEILING ANCHORED
PILASTER/PANEL ALCOVE
ASSEMBLY
PHENOLIC**

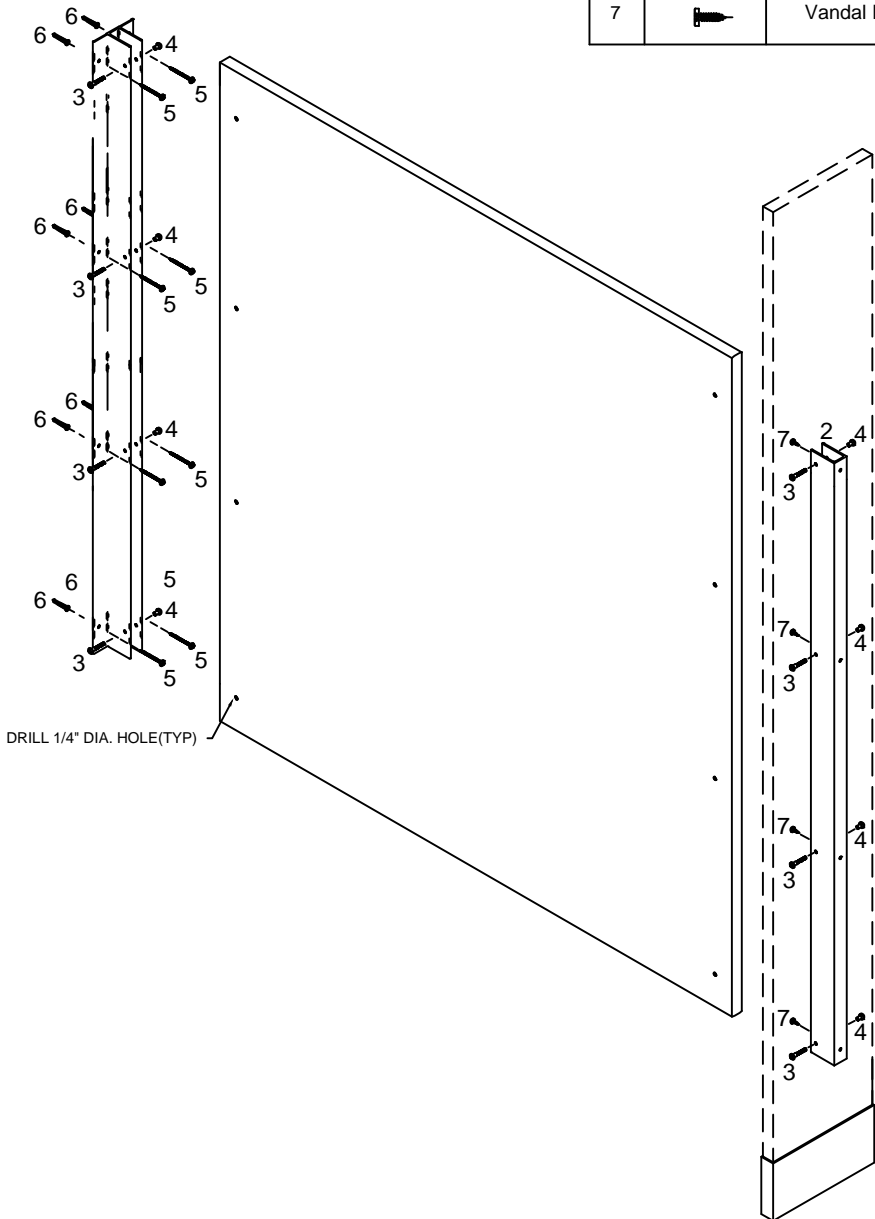
Optional #8277020 if 2-ear panel to wall is required.

Alcove Hardware Kit (P/N 8277010) Includes: STAINLESS STEEL		
PART ID.	DESCRIPTION	QTY
1	 3/4" One Ear Wall Bracket	(2)
2	 Vandal Resistant S/S Step Bolts 3/4" Long	(4)
3	 Vandal Resistant S/S Barrel Nut	(4)
4	 Vandal Resistant S/S #14 x 2 1/2" S.M.S	(10)
5	 Plastic Shields	(10)
6	 Vandal Resistant S/S 3/4" long	(3)
7	 Alcove Clip	(4)
8	 1/2" One Ear Wall Bracket	(2)
9	 Vandal Resistant S/S Step Bolts 1/2" Long	(4)
10	 Bracket Headrail Satin "F" Zamac	(1)


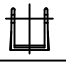







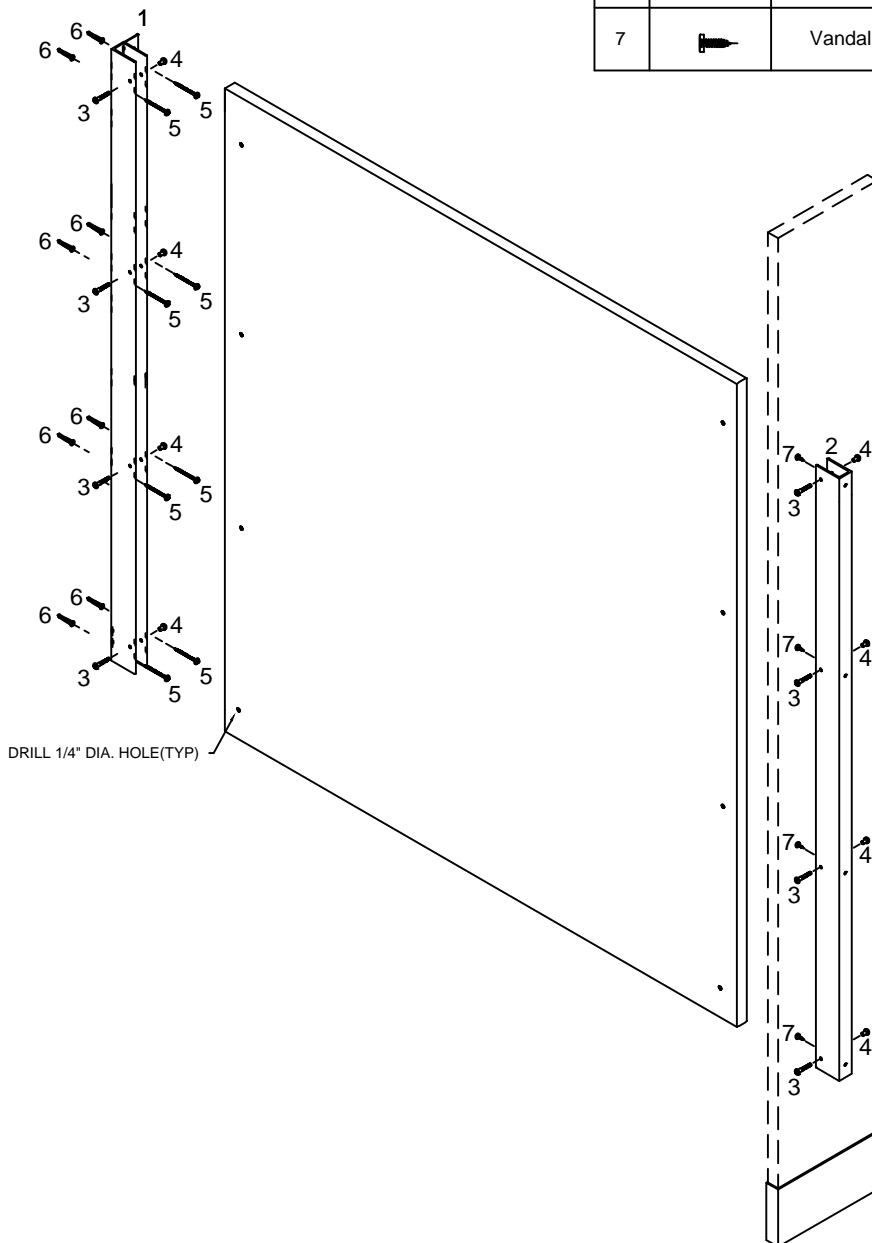
**FULL HEIGHT
PANEL TO PILASTER/WALL
TWO EAR ASSEMBLY
PHENOLIC**

Panel Hardware Kit (P/N 8276020) Includes: STAINLESS STEEL FULL HEIGHT		
PART ID.	DESCRIPTION	QTY
1	 Two Ear Bracket	(1)
2	 "U" Bracket	(1)
3	 Vandal Resistant S/S Step Bolts 1/2" Long	(12)
4	 Vandal Resistant S/S Barrel Nut	(12)
5	 Vandal Resistant S/S 2 1/2" S.M.S	(12)
6	 Plastic Shields	(12)
7	 Vandal Resistant S/S 5/8" S.M.S	(12)



**FULL HEIGHT
PANEL TO PILASTER/WALL
ONE EAR ASSEMBLY
PHENOLIC**

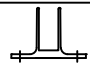
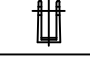



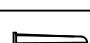
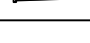
Panel Hardware Kit (P/N 8276010) Includes: STAINLESS STEEL FULL HEIGHT		
PART ID.	DESCRIPTION	QTY
1	 One Ear Bracket	(1)
2	 "U" Bracket	(1)
3	 Vandal Resistant S/S Step Bolts 1/2" Long	(12)
4	 Vandal Resistant S/S Barrel Nut	(12)
5	 Vandal Resistant S/S 2 1/2" S.M.S	(12)
6	 Plastic Shields	(12)
7	 Vandal Resistant S/S 5/8" S.M.S	(12)

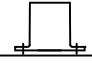






**FLOOR AND CEILING ANCHORED
PANEL TO POST/WALL
TWO EAR ASSEMBLY
PHENOLIC**

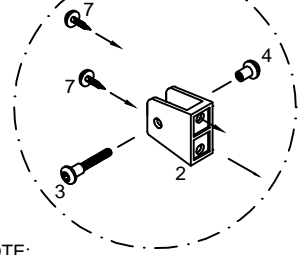
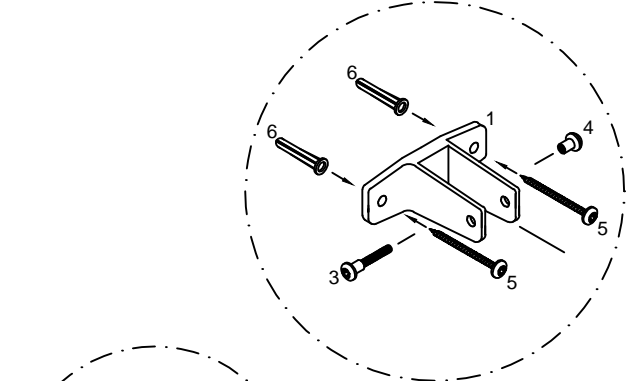
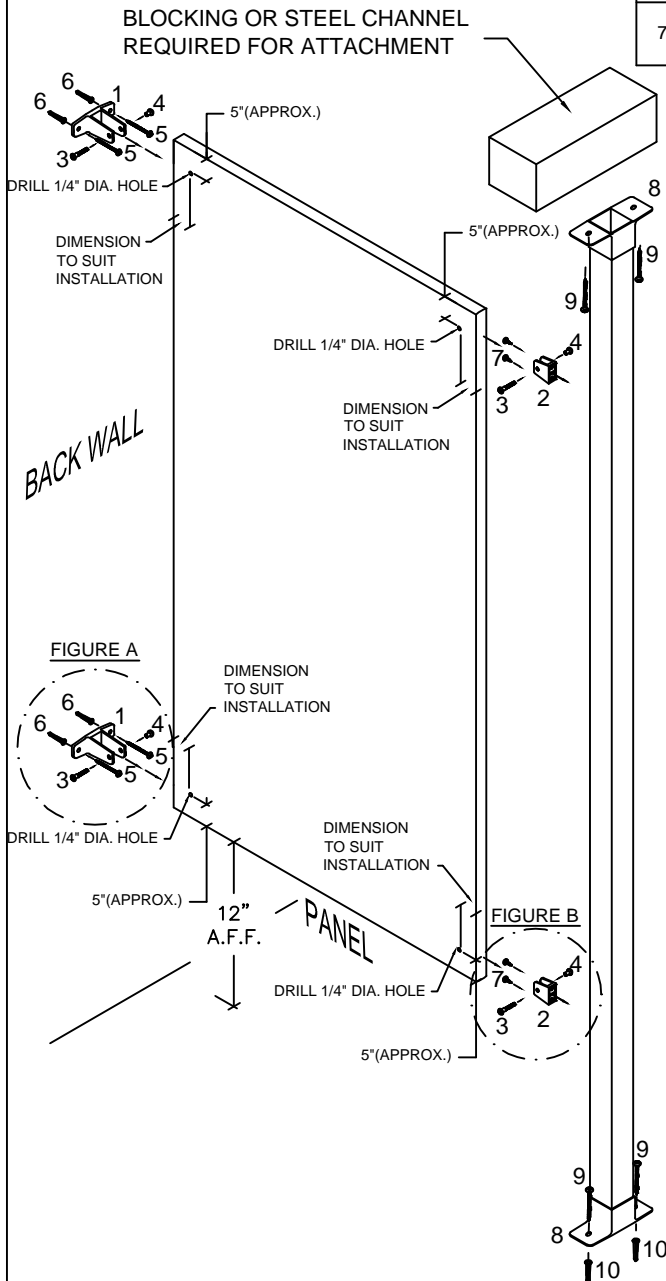
Pilasters must be both plumb and level. To assist in leveling, headrail may be lightly positioned across adjacent pilasters (do not fasten at this time)
Refer to steps 4 & 6

- A. Plumb panel and fasten panel to 2-ear bracket at wall with through bolts.
- B. Fasten pilaster to panel using through bolts to fasten "U" brackets to pilaster.

Panel Hardware Kit (P/N 8275020) Includes: STAINLESS STEEL		
PART ID.	DESCRIPTION	QTY
1	 Two Ear Bracket	(2)
2	 "U" Bracket	(2)
3	 Vandal Resistant S/S Step Bolts 1/2" Long	(4)
4	 Vandal Resistant S/S Barrel Nut	(4)
5	 Vandal Resistant S/S 2 1/2" S.M.S	(4)
6	 Plastic Shields	(4)
7	 Vandal Resistant S/S #14 x 3/4" S.M.S	(4)

Post Hardware Kit (P/N 8512510) Includes: CHROME PLATED ZAMAC		
PART ID.	DESCRIPTION	QTY
8	 Post Shoe	(1)
9	 Vandal Resistant 2 1/2" S.M.S	(2)
10	 Plastic Shields	(2)
11	 Vandal Resistant 5/8" S.M.S	(1)
12	 End Cap	(1)





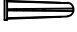

REQUIRES TWO #8512510 KITS FOR FLOOR TO CEILING ATTACHMENT

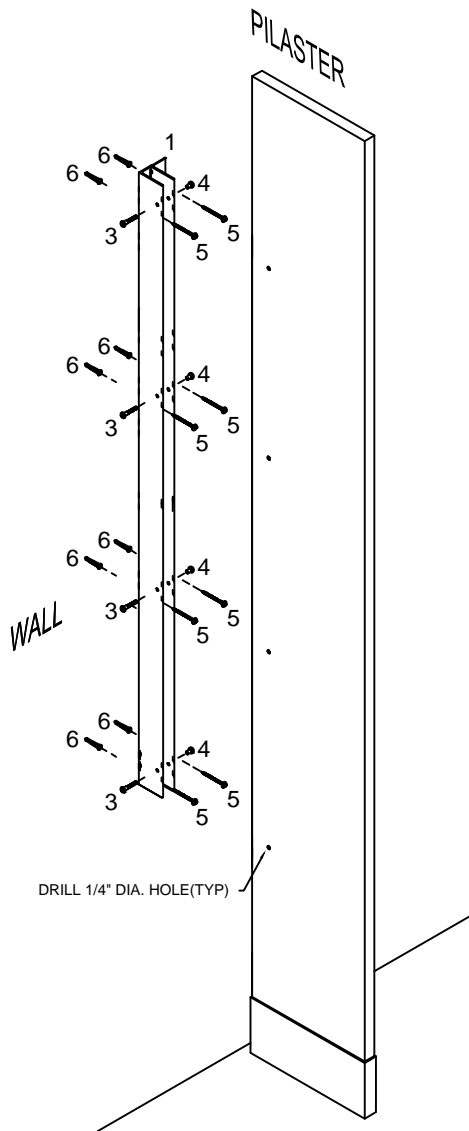


NOTE:
Two Vandal resistant S/S 3/4" S.M.S.
To Fasten U-bracket To Pilaster.

FIGURE B

**FULL HEIGHT
PILASTER/WALL
ASSEMBLY
PHENOLIC**

Pilaster/Wall Hardware Kit (P/N 8276210) Includes: STAINLESS STEEL FULL HEIGHT		
PART ID.	DESCRIPTION	QTY
1	 One Ear Wall Bracket	(2)
2	 Vandal Resistant S/S Step Bolts 1 1/4" Long	(6)
3	 Vandal Resistant S/S Barrel Nut	(6)
4	 Vandal Resistant S/S 2 1/2" S.M.S	(12)
5	 Plastic Shields	(12)
6	 Vandal Resistant S/S 5/8" S.M.S	(8)



CARE AND MAINTENANCE OF TOILET PARTITIONS

In order to provide toilet partitions with the care and maintenance, the following instructions must be followed.

- A. All surfaces must be kept clean with water and a mild soap solution only.
- B. In high humidity areas, the rooms must be properly ventilated.
- C. "Hosing down" or wet washing of these units may cause water adsorption and damage.
- D. For maximum protection, periodic application of any standard furniture wax will be beneficial.
- E. In order to provide toilet partitions with the proper care and maintenance, the above instructions must be followed.

WARNING

Under no circumstances should these components be subjected to:

- *Abrasive powders or pads
- *Water closet cleaners
- *Ceramic tile cleaners
- *Solutions containing more than 1% by volume of ammonia
- *Solutions containing acids or lye
- *Solutions containing enzymes

Attention to work progress during new construction or renovation is important.
Other trades and cleaning services may use agents for ceramics and tiles that will damage these components