



TLX-3 Express® Lavatory System – TLX Series

Key Features

- Seamless, one-piece lavatory is a cost effective upgrade to traditional fabricated counters with seams
- With fewer plumbing connections, installs faster than traditional counters and sinks
- Easy-to-clean, linear design minimizes flat areas where water could puddle
- 1 person access panel install and removal
- ADA and TAS compliant
- Available in a variety of Terreon® solid surface colors
- Compatible with WashBar® Duo and Verge™ deck-mounted soap dispensers and faucets

Specifications

Accommodates one, two, or three users. These units handle washroom traffic quickly and economically. Robust design meets or exceeds the ANSI load requirements. This system can be mounted at different heights to accommodate hand washing for adults, children, young children, and those with disabilities. Meets Enhanced Reach when paired with WashBar Duo. Search CSI 3-part specification on bradleycorp.com for CSI spec format.

Product Compliance

Listed by IAPMO R&T to

- Uniform Plumbing Code (UPC)
- National Plumbing Code of Canada
- International Plumbing Code (IPC)
- IGC 156
- IGC 127 (WashBar)



Listed by UL Environment to

- GreenGuard Gold

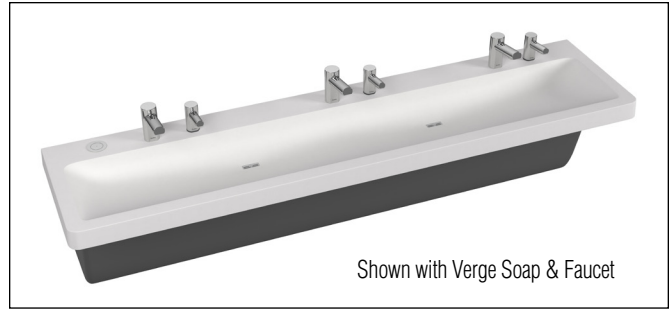


Complies with

- ADA
- ICC/ANSI 117.1
- TAS
- Enhanced Reach IC A117.1, 606.5 (WashBar Duo)
- NSF/ANSI 372
- CSA B45.5/IAPMO Z124



This plumbing fixture is designed for hand washing only. It is not intended to dispense water for human consumption through drinking or for preparation of food or beverages.



Shown with Verge Soap & Faucet

Finishes

-  Polished Chrome
-  Brushed Black Stainless*
-  Brushed Stainless*
-  Brushed Bronze*
-  Brushed Brass*
-  Brushed Nickel*

*PVD Finishes, see PVD Finishes section on Page 2.

Compatible Bradley Products

- [Verge Coordinated Soap and Faucet](#)
- [WashBar Duo](#)



Construction

Basin

Constructed of Terreon, a densified solid surface material composed of a bio-based resin, or TerreonRE®, a densified solid surface material composed of a bio-based resin and preconsumer recycled granules. Terreon and TerreonRE are resistant to chemicals, stains, burns and impact. Surface damage can be easily repaired with every day cleansers or fine grit abrasives. Terreon and TerreonRE are GREENGUARD® certified as low-emitting materials.

Support Bracket

Bracket design allows for flexible stud or wall blocking anchor locations. Eliminates the need for in-wall carriers. IAPMO certified to meet or exceed ANSI load requirements.

Access Panel

Unique access panel design pivots on stainless steel brackets which easily allows for one person installation and removal. Standard thumb screw fasteners and vandal-resistant fasteners included as standard. The access panel is composed of high impact polymer so it will not chip, peel or flake. The fully enclosed vandal resistant design eliminates the need for plumbing wrap.

Strainer and Drain Assembly

System comes complete with 300 series stainless steel strainers, tailpiece connection and your choice of a combined drain rough-in with one drain connection or individual drain rough-in with two connections.

Vandal Resistance

Water supplies, valving, waste assembly and other optional items are completely concealed within the high impact resistant access panel. Vandal-resistant access panel fasteners included as standard. Terreon bowl material is also highly vandal resistant and repairable.

Faucets*

Choose from our 0.35 gpm (1.30 Lpm), 0.05 gpc (0.25 Lpc) or 0.50 gpm (1.90 Lpm), 0.09 gpc (0.35 Lpc) Verge Faucets – Crestt, Metro, Linea, or Zen Series. Available in 0.35 gpm (1.30 Lpm), 0.05 gpc (0.25 Lpc) or 0.5 gpm (1.90 Lpm), 0.09 gpc (0.35 Lpc), WashBar Duo WBD1 includes soap dispenser and faucet in a single piece casting. Verge faucets and WashBar Duo come as chrome-plated with optional in-stock PVD finishes. Also available are 4" centerset, 8" centerset, and centershank faucet drillings are available for faucets by others.

Soap Dispensers*

Choose from our Verge Deck-Mounted Soap Dispensers – Crestt, Metro, Linea, or Zen Series. Soap drillings available for soap by others. Also available with WashBar Duo WBD1, foam or liquid soap. WashBar Duo accommodates a 1 gallon cylindrical soap container, provided by others. Verge soap dispensers and WashBar Duo come as chrome-plated with optional in-stock PVD finishes.

*For primary/elementary school applications, Bradley recommends hands-free activation for soap dispensers and faucets in lieu of manual activation to ensure proper reach for kindergarten students. TLX-3 meets Enhanced Reach requirements when paired with WashBar Duo WBD1.

* PVD Finishes

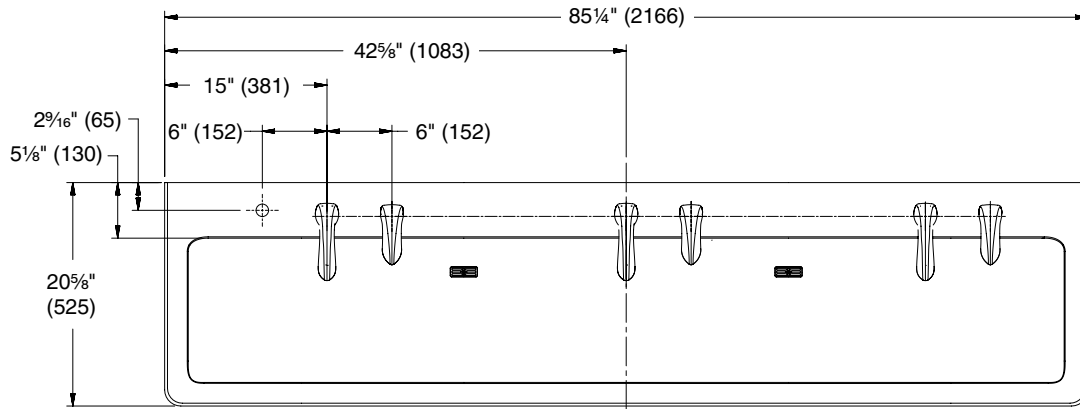
Physical Vapor Deposition is an intricate, environmentally friendly finishing process that molecularly bonds the finish to the faucet, creating a very hard, durable surface that will not corrode, discolor, or tarnish.



TLX-3 Express® Lavatory System – TLX Series

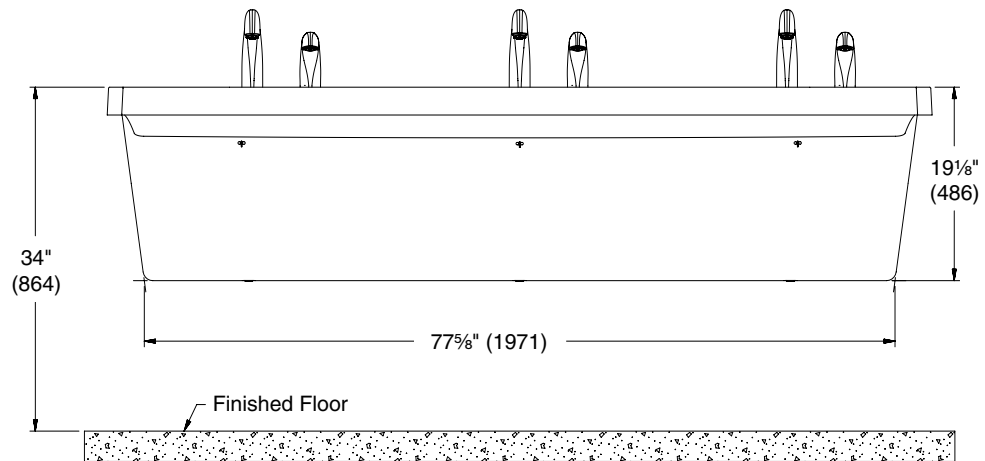
Top View (shown with Verge Soap & Faucet)

(mm)



Front View (shown with Verge Soap & Faucet)

(mm)

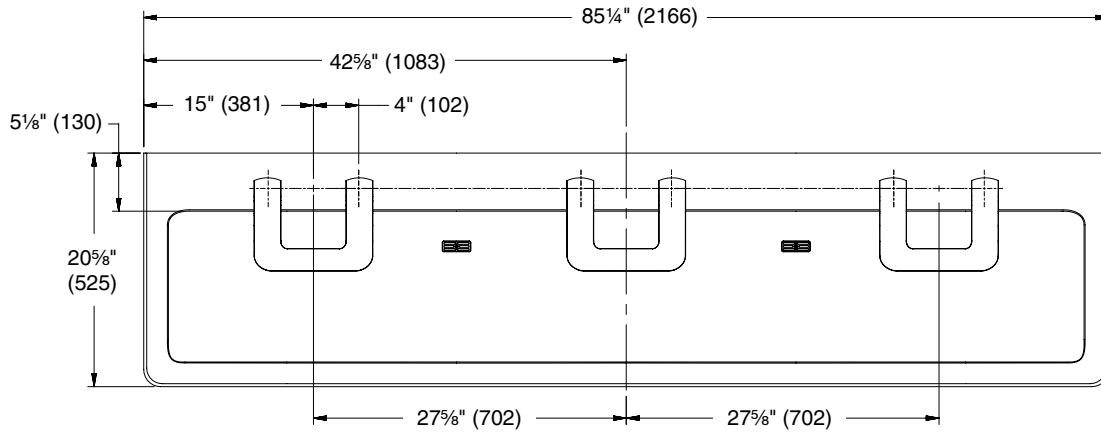




TLX-3 Express® Lavatory System – TLX Series

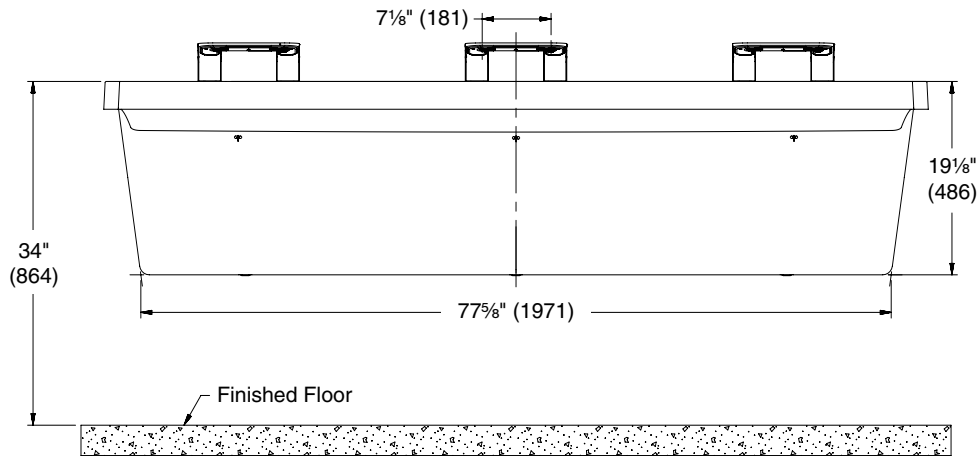
Top View (shown with WBD1)

(mm)



Front View (shown with WBD1)

(mm)



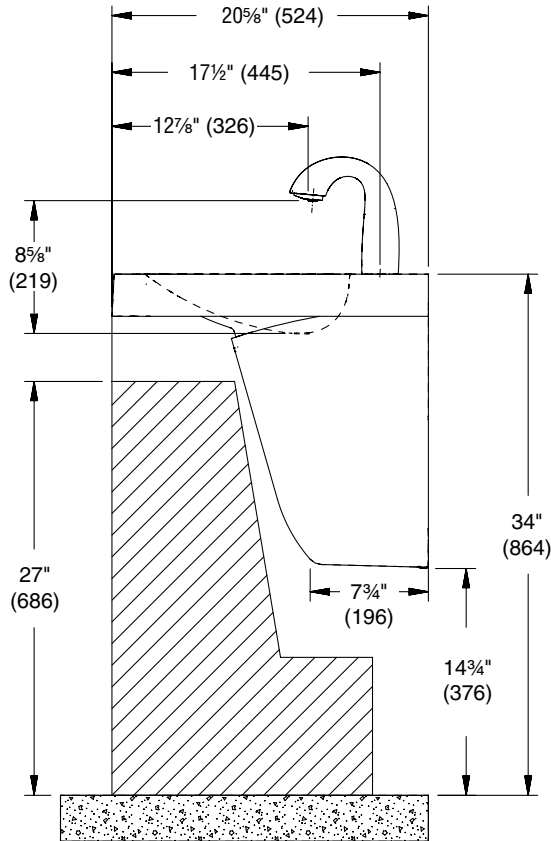


TLX-3 Express® Lavatory System – TLX Series

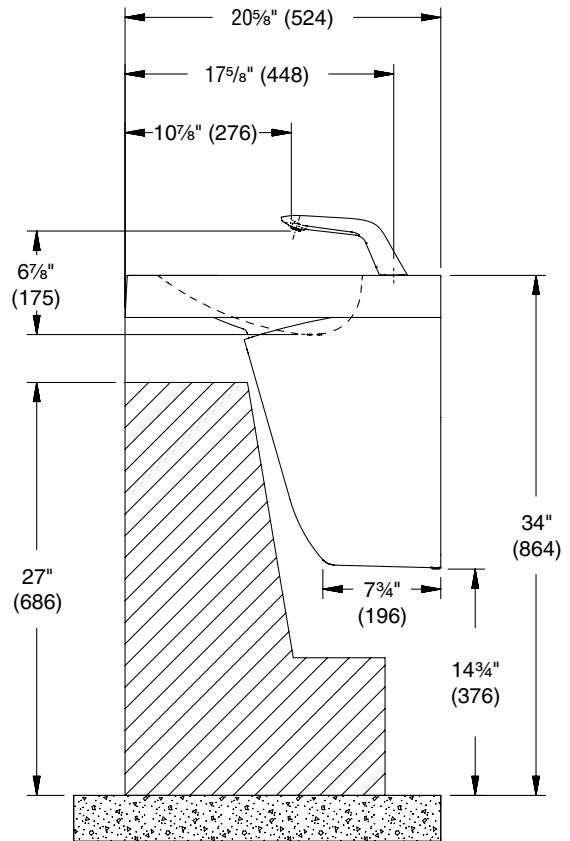
Side View

(mm)

Standard Height (ADA) – Verge Faucet



Standard Height (ADA) – WBD1



Rim Height	Vertical Height Adjustments	Fixture Style	Notes
34"	No Adjustment	Standard ADA & TAS	At least one basin must meet dimensional requirements and have proper reach, knee, and toe clearance.
31"	*Subtract 3"	Juvenile ADA & TAS	At least one basin must meet dimensional requirements and have proper reach, knee, and toe clearance.
26"	*Subtract 8"	Junior	For use by younger children where ADA guidelines are not a concern.

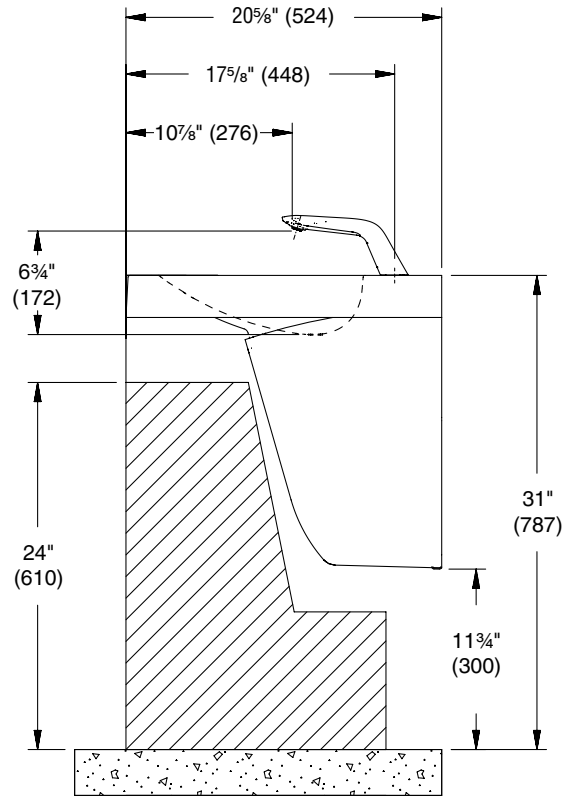
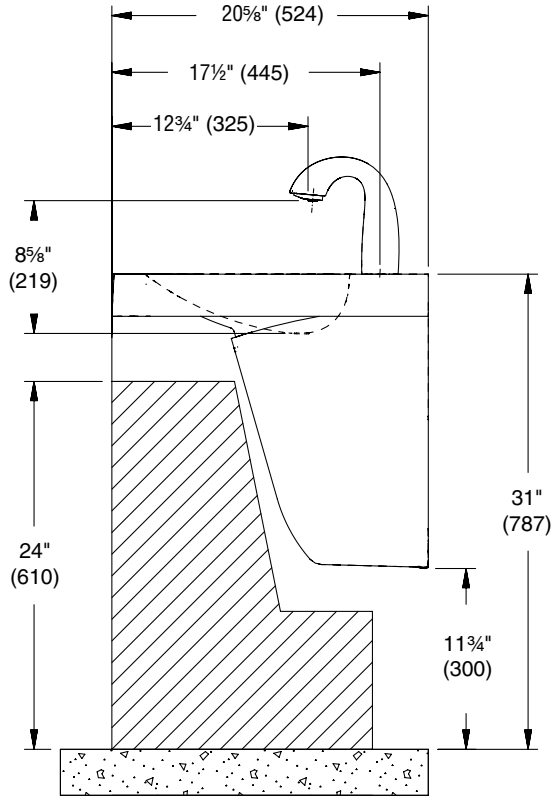


Side View

(mm)

Juvenile Height (ADA) – Verge Faucet

Juvenile Height (ADA) – WBD1



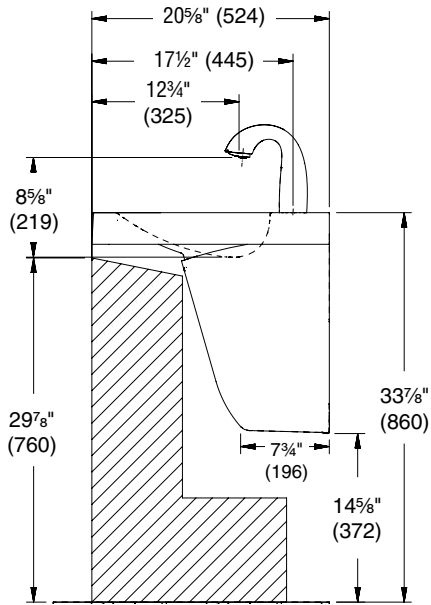
Rim Height	Vertical Height Adjustments	Fixture Style	Notes
34"	No Adjustment	Standard ADA & TAS	At least one basin must meet dimensional requirements and have proper reach, knee, and toe clearance.
31"	*Subtract 3"	Juvenile ADA & TAS	At least one basin must meet dimensional requirements and have proper reach, knee, and toe clearance.
26"	*Subtract 8"	Junior	For use by younger children where ADA guidelines are not a concern.



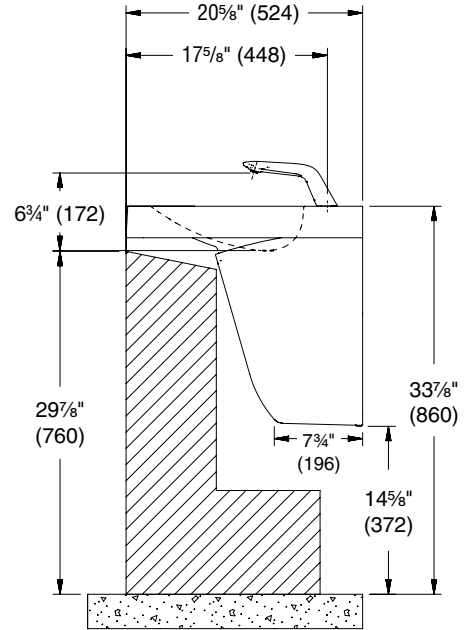
Side View

(mm)

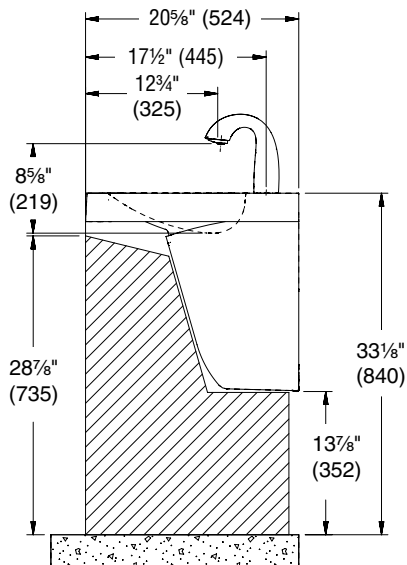
CSA Height – Verge Faucet



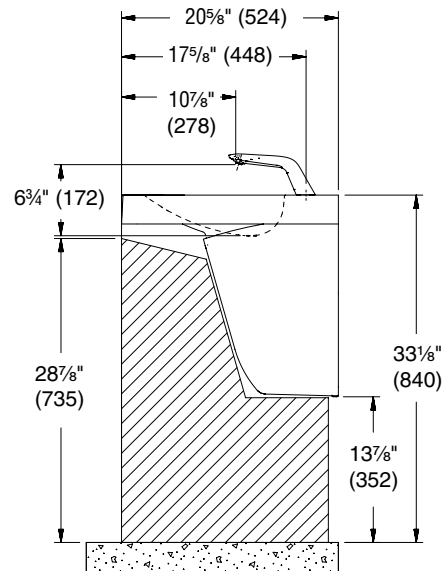
CSA Height – WBD1



OBC Height – Verge Faucet



OBC Height – WBD1





Structural Rough-Ins

(mm)

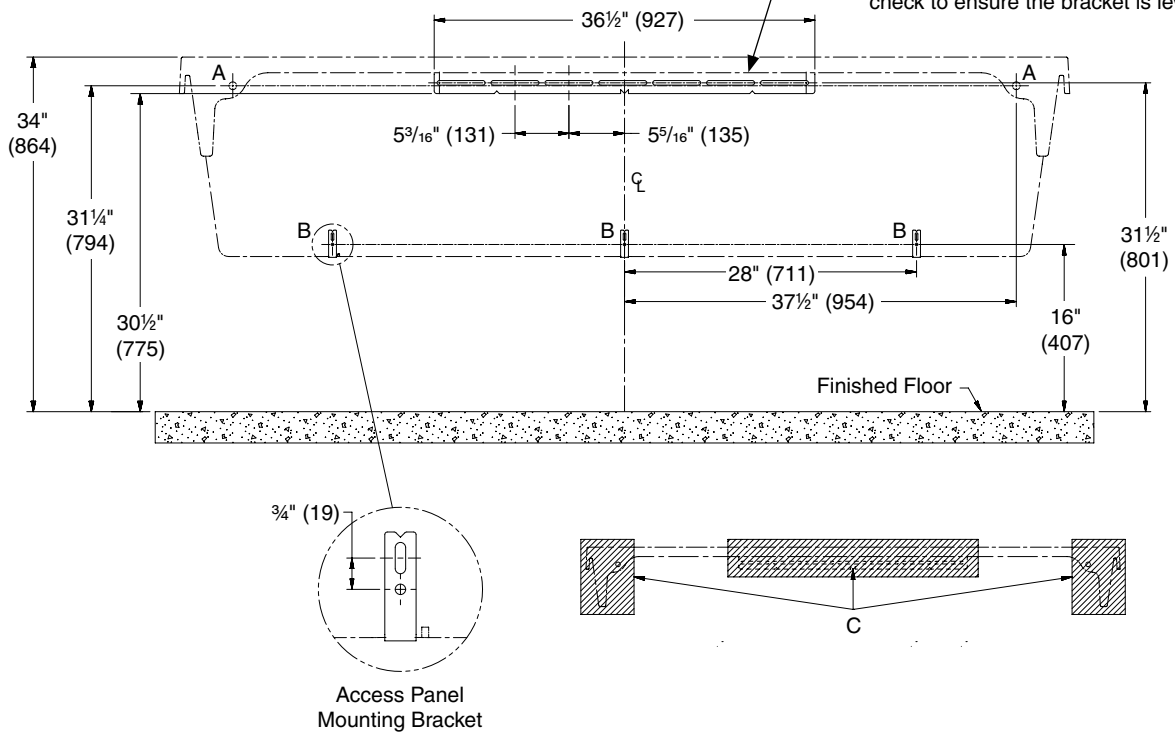


Mounting for Standard ADA and TAS height shown.



Areas highlighted in gray require sufficient backing compliant with local building codes.

Secure bracket to wall using min. (2) 3/8" anchor bolts to the left of C/L and min. (2) 3/8" anchor bolts to the right of C/L. The (2) anchor bolts to the right of C/L must be min. 16" apart from the anchor bolts to the left of C/L. When mounting is complete, check to ensure the bracket is level.



CODE	DESCRIPTION	QTY.
A	Install (1) 3/8" wall anchor with a minimum pull-out force of 1,000 lb per local codes at locations shown	2
B	Install (2) wall anchors per bracket with a minimum pull-out force of 100 lb per local codes at locations shown	6
C	Provide structural backing compliant with local building codes.	2

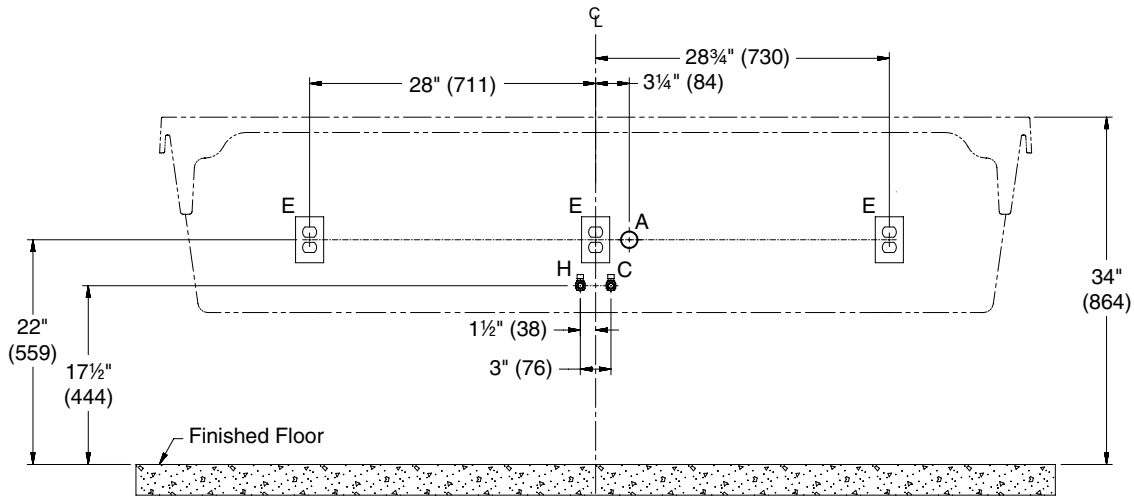
RIM HEIGHT	VERTICAL HEIGHT ADJUSTMENTS	FIXTURE STYLE	NOTES
34"	No Adjustment	Standard ADA & TAS	At least one basin must meet dimensional requirements and have proper reach, knee, and toe clearance.
31"	*Subtract 3"	Juvenile ADA & TAS	At least one basin must meet dimensional requirements and have proper reach, knee, and toe clearance.
26"	*Subtract 8"	Junior	For use by younger children where ADA guidelines are not a concern.



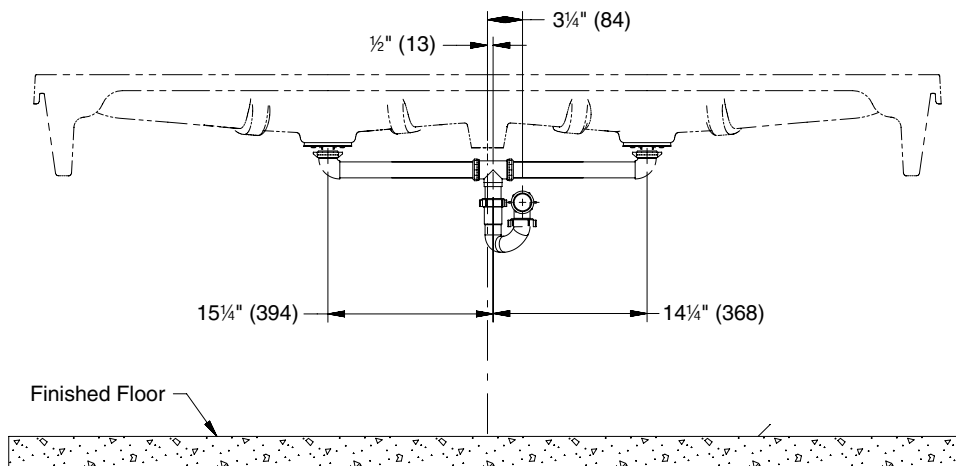
Plumbing & Electrical Rough-Ins – Combined Waste Option

(mm)

- Mounting for Standard ADA and TAS height shown.
- Combined waste option is not available for use with WBD1 faucet assembly.
- Electric outlet locations shown below reflect potential locations. Refer to page 9 for power supply and outlet information.



CODE	DESCRIPTION	QTY.
A	1 1/2" NPT Drain, Stub-out 2" from wall, combined waste option	1
H,C	1/2" Nominal (5/8" O.D. Comp.) Hot/Cold supplies, Stub-out 2" from wall	1
E	110V GFI protected electrical outlet (AC faucet and soap only)	3





Plumbing & Electrical Rough-Ins – Individual Waste Option

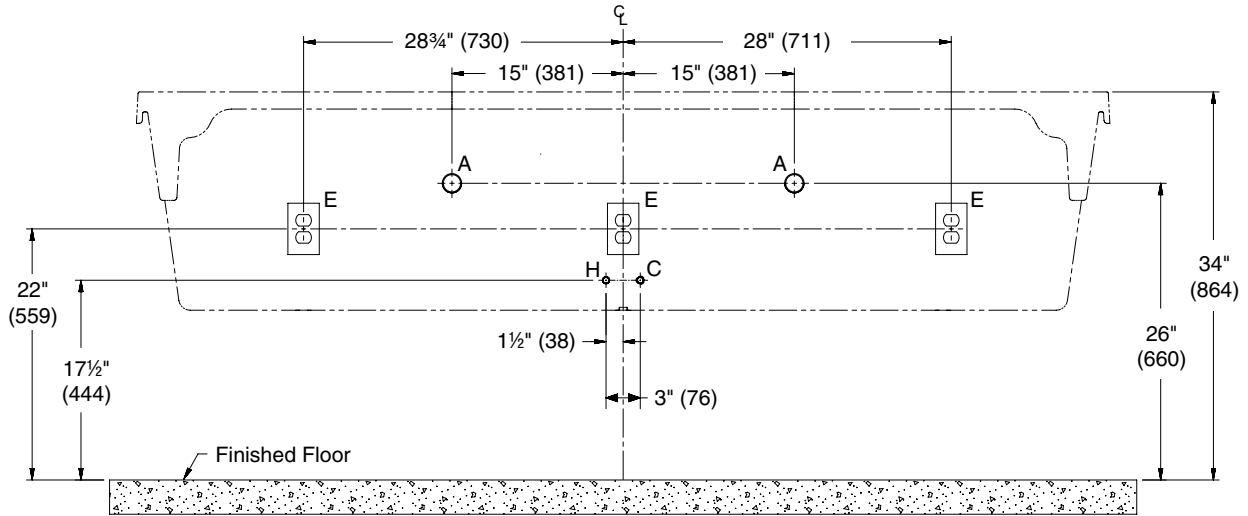
(mm)



Mounting for Standard ADA and TAS height shown.



Electric outlet locations shown below reflect potential locations. Refer to the power supply and outlet information below.



CODE	DESCRIPTION	QTY.
A	1½" NPT Drain, Stub-out 2" from wall, individual waste option (waste arms to be cut in field)	2
H,C	½" Nominal (5/8" O.D. Comp.) Hot/Cold supplies, Stub-out 2" from wall	1
E	110V GFI protected electrical outlet (AC faucet and soap only)	2

VERGE SOAP & FAUCET POWER SUPPLY			
	1-Station	2-Station	3-Station
Faucet Only	AC Adapter x 1 1 duplex outlet req.	AC Adapter x 2 1 duplex outlet req.	AC Splitter* x 1 1 duplex outlet req.
Soap Only	AC Adapter x 1 1 duplex outlet req.	AC Adapter x 2 1 duplex outlet req.	AC Splitter* x 1 1 duplex outlet req.
Faucet & Soap	AC Adapter x 2 1 duplex outlet req.	AC Splitter* x 1 1 duplex outlet req.	AC Splitter* x 2 1 duplex outlet req.
Soap & Multi-Feed	NA	NA	AC Splitter* x 1 1 duplex outlet req.
Faucet, Soap, & Multi-Feed	NA	NA	AC Splitter* x 2 1 duplex outlet req.

*AC splitter assembly includes one adapter, one 4-way splitter, and four extensions.



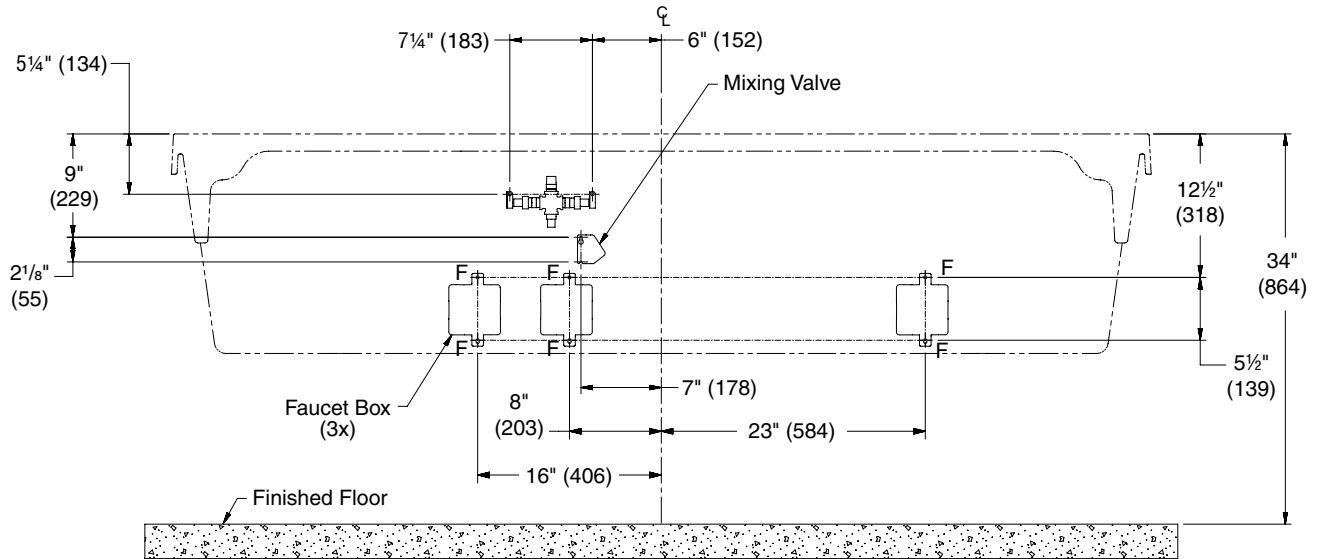
TLX-3 Express® Lavatory System – TLX Series

Plumbing & Electrical Rough-Ins – Verge Soap & Faucet

(mm)



Mounting for Standard ADA and TAS height shown.



CODE	DESCRIPTION	QTY.
F	#10 Anchors for Faucet Control Box Installation Provide sufficient backing behind the mounting locations.	6



TLX-3 Express® Lavatory System – TLX Series

Plumbing & Electrical Rough-Ins – WBD1

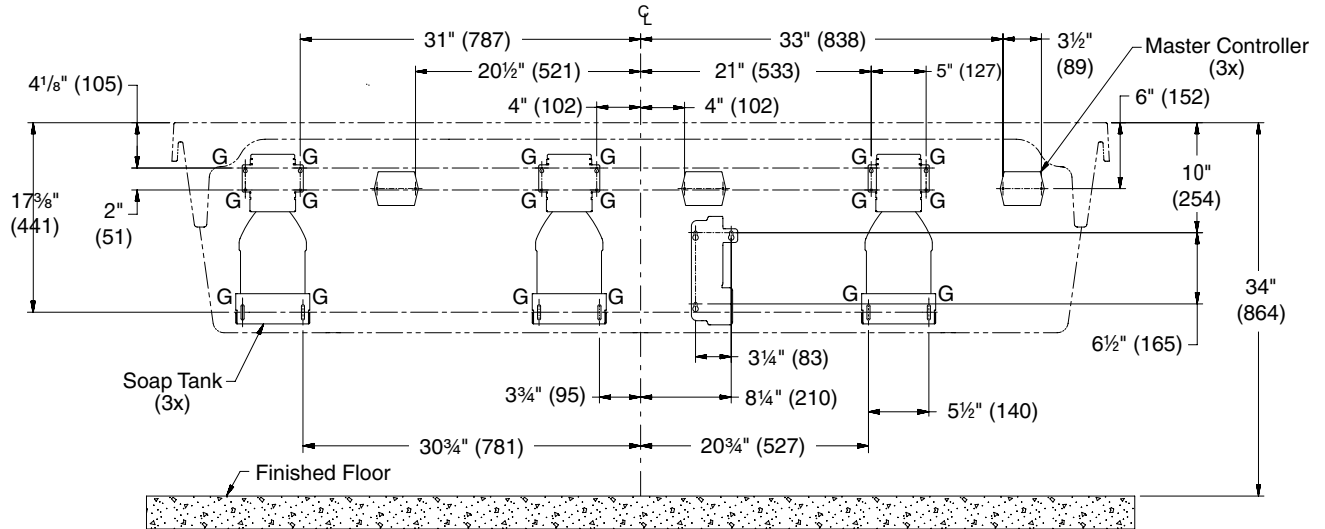
(mm)



Mounting for Standard ADA and TAS height shown.



Combined waste option is not available for use with WBD1 faucet assembly.



CODE	DESCRIPTION	QTY.
G	#10 Anchors for Soap Tank Bracket (100 lb pull out force) Provide sufficient backing behind the mounting locations.	18



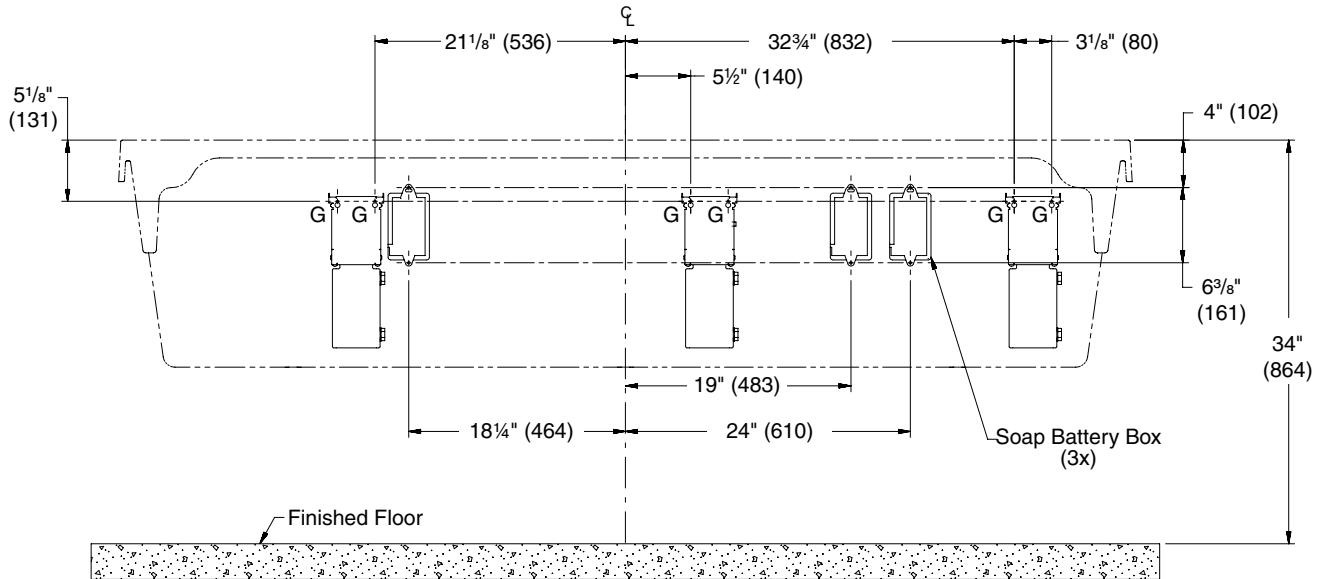
TLX-3 Express® Lavatory System – TLX Series

Rough-Ins – Verge Individual Top-Fill Soap

(mm)



Mounting for Standard ADA and TAS height shown.



CODE	DESCRIPTION	QTY.
G	#10 Anchors for Soap Tank Installation Provide sufficient backing behind the mounting locations.	6



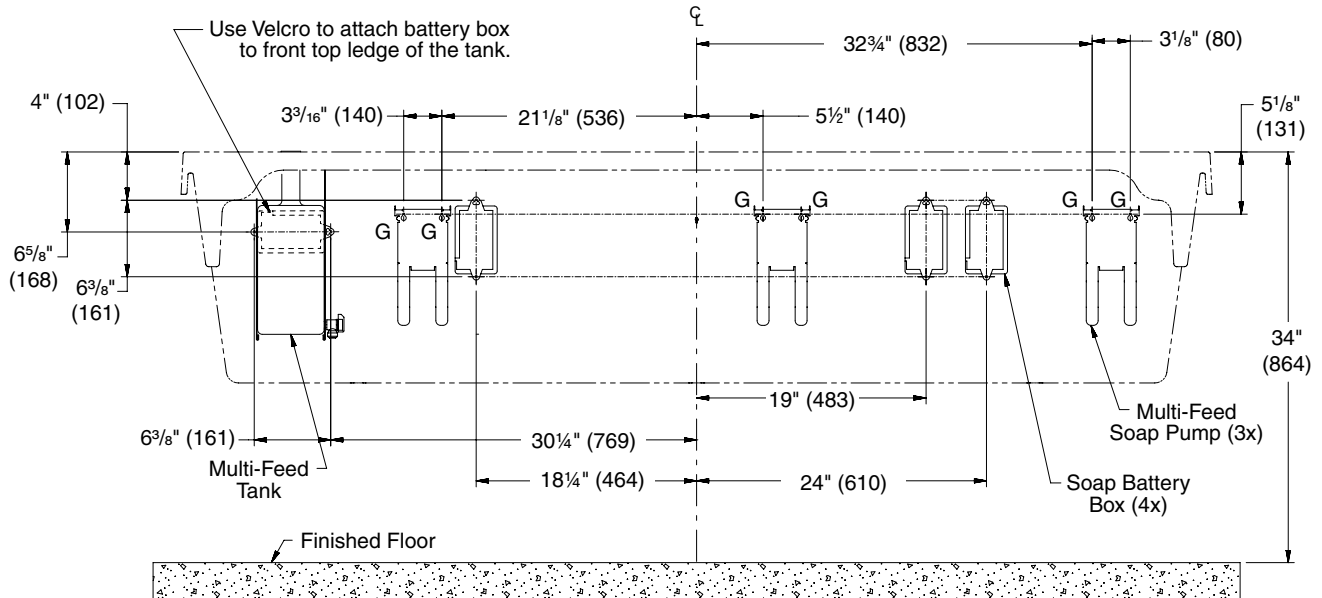
TLX-3 Express® Lavatory System – TLX Series

Rough-Ins – Verge Multi-Feed Soap

(mm)



Mounting for Standard ADA and TAS height shown.



CODE	DESCRIPTION	QTY.
G	#10 Anchors for Soap Tank Installation Provide sufficient backing behind the mounting locations.	6



TLX-3

Express® Lavatory System – TLX Series

Models (Must select one)	
Model	Description
TLX-3	Express Lavatory System TLX-3
Country of Installation (Must select one)	
C1	United States or Canada
Standard Selections (Must select one from each category)	
Faucet Type (select one)	
WBD1	WashBar Duo (available with soap dispenser type WBD1 only) +
S53-3100	Verge Faucet – Crestt Series
S53-3300	Verge Faucet – Metro Series
S53-3500	Verge Faucet – Linea Series
S53-3700	Verge Faucet – Zen Series
WBD1-DO	WashBar Duo Drilling Only
4" Set	4" Centerset (1¼" Drilling Only)
8" Set	8" Centerset (1¼" Drilling Only)
SHANK	Centershank (1¼" Drilling Only)
NFD	No Drilling
Faucet Activation Type (select one)	
R	Touch-Free Activation △
NONE	No Activation ▲
Water Supply Type (select one)	
T	Thermostatic Mixing Assembly (supply hoses and shut-offs included)
L	Single Tempered Line Assembly (supply hoses and shut-offs included)
Flow Control Type‡ (select one)	
3	0.35 gpm Silicone Tip, Multiple Individual Laminar Flow Streams
5	0.50 gpm Silicone Tip, Multiple Individual Laminar Flow Streams
Faucet Finish Type‡ (select one)	
PC	Polished Chrome
BB	Brushed Black Stainless
BS	Brushed Stainless
BZ	Brushed Bronze
BR	Brushed Brass
BN	Brushed Nickel
Faucet Power Supply (select one)	
AC	AC Power △**
BA	Battery – 4x AA alkaline batteries included per faucet △
NONE	No Power Supply ▲

Soap Dispenser Type (select one)	
WBD1	WashBar Duo (available with faucet type WBD1 only) +
6-3100	Verge Deck-Mounted Soap Dispenser – Crestt Series △
6-3300	Verge Deck-Mounted Soap Dispenser – Metro Series △
6-3500	Verge Deck-Mounted Soap Dispenser – Linea Series △
6-3700	Verge Deck-Mounted Soap Dispenser – Zen Series △
WBD1-DO	WashBar Duo Drilling Only
SDO	1-3/8" Soap Drilling Only
NSD	No Soap Dispenser/No Drilling
Soap Activation Type (select one)	
R	Touch-Free Activation ◇
NONE	No Activation ◆
Soap Type^ (select one)	
F	Foam Soap
L	Liquid Soap
Soap Fill System ◇ (select one)	
T	Single (top fill at spout)
M	Multi-Feed (shared tank, includes 6-SOAP-MFT Multi-Feed Soap Tank Assembly)
Soap Dispenser Finish Type ◇ (select one)	
PC	Polished Chrome
BB	Brushed Black Stainless
BS	Brushed Stainless
BZ	Brushed Bronze
BR	Brushed Brass
BN	Brushed Nickel
Soap Power Supply (select one)	
AC	AC Power ◇**
BA	Battery – 4x D-cell batteries included per dispenser ◇
NONE	No Power Supply ◆

- * Non-cancelable, non-returnable.
- ** AC power supply will include either individual AC plug-in adapter or 4-way AC splitter assembly depending on configuration.
- △ Available with Verge faucet selection only.
- ▲ Available with faucet drilling only.
- ◇ Available with Verge soap dispenser selection only.
- ◆ Available with soap drilling only.
- † This color contains large, randomly distributed chips.
- ‡ Available with Verge faucet or WBD1 selection only.
- ^ Available with Verge soap or WBD1 selection only.
- + Combined Waste not available with WBD1.



Standard Selections (Must select one from each category)

Color of Terreon Deck (select one)

Standard Colors

ALP-WHT	Alpine White	LONDON	London Gray
AVALANCHE	Avalanche†	MOONSTONE	Moonstone†
BONE	Mesa Bone	O-TAUPE	Organic Taupe
DRIFT	Driftwood†	PEBBLE	Pebble Beach
DS-WHT	Designer White	PEP-WHT	Peppered White
DUNE	Sand Dune‡	POLAR	Polar Ice†
E-GRAY	Empire Gray	SAND	Sandtrap
GLACIER	Glacier	S-CREEK	Stone Creek
GRAPH	Graphite	S-MIST	Silver Mist
LANNON	LannonStone	WHT-SAND	White Sand

Designer Colors* (available at an additional charge)

ARC-CHIP	Arctic Chip	COFFEE	Coffee Bean
RIVER	Riverstone		

TerreonRE Colors* (available at an additional charge)

BIRCH BARK	Birch Bark	MOONDUST	Moon Dust
DUSK	Dusk	OAT	Oat

Access Panel Type (select one)

COAL	Coal
-------------	------

Waste Assembly Type (select one)

CW-CHROME	Chrome-Plated Combined Waste Assembly (1 P-Trap/1 drain connection) +
CW-POLY	Polypropylene Combined Waste Assembly (1 P-Trap/1 drain connection) +
IW-CHROME	Chrome-Plated Individual Waste Assembly (2 P-Trap/2 drain connections)
IW-POLY	Polypropylene Individual Waste Assembly (2 P-Trap/2 drain connections)
NONE	Waste Assembly by Others

- * Non-cancelable, non-returnable.
- ** AC power supply will include either individual AC plug-in adapter or 4-way AC splitter assembly depending on configuration.
- △ Available with Verge faucet selection only.
- ▲ Available with faucet drilling only.
- ◇ Available with Verge soap dispenser selection only.
- ◆ Available with soap drilling only.
- † This color contains large, randomly distributed chips.
- ‡ Available with Verge faucet or WBD1 selection only.
- ^ Available with Verge soap or WBD1 selection only.
- + Combined Waste not available with WBD1.