



# ELX-2 Express® Lavatory System – ELX-Series

- Seamless, one-piece lavatory is a cost effective upgrade to traditional fabricated counters with seams
- With fewer plumbing connections, installs faster than traditional counters and sinks
- Easy-to-clean, linear design minimizes flat areas where water could puddle
- With or without covered backsplash
- Integral/serviceable overflows
- 1 person access panel install and removal
- ADA and TAS compliant
- Available in a variety of Terreon® solid surface colors
- Compatible with Verge™ deck-mounted soap dispensers and faucets



Shown with optional accessories

## Specifications

Accommodates one or two users. These units handle washroom traffic quickly and economically, while providing each user with their own personal space. Robust design meets or exceeds the ANSI load requirements. This system can be mounted at different heights to accommodate hand washing for adults, children, young children and those with disabilities. Search CSI 3-part specification on [bradleycorp.com](http://bradleycorp.com) for CSI spec format.

## Product Compliance

### Listed by IAPMO R&T to

- Uniform Plumbing Code (UPC)
- National Plumbing Code of Canada
- International Plumbing Code (IPC)
- IGC 156 and the requirements of CSA B45.5 / IAPMO Z124 and ASME A112.18.1 / CSA B125.1



### Listed by UL Environment to

- GreenGuard Gold



### Complies with

- ADA
- ICC/ANSI 117.1
- TAS
- NSF/ANSI 372



Serves the American Disabilities Act and ICC/ANSI 117.1 guidelines, citations 306, 308, 309.4, 606.4, 606.5 when installed according to these requirements. Consult local codes and standards.



This plumbing fixture is designed for hand washing only. It is not intended to dispense water for human consumption through drinking or for preparation of food or beverages.

## Construction

### Bowl

Constructed of Terreon, a densified solid surface material composed of a bio-based resin, or TerreonRE®, a densified solid surface material composed of a bio-based resin and preconsumer recycled granules. Terreon and TerreonRE are resistant to chemicals, stains, burns and impact. Surface damage can be easily repaired with every day cleansers or fine grit abrasives. Terreon and TerreonRE GREENGUARD® certified as low-emitting materials.

### Support Bracket

Bracket design allows for flexible stud or wall blocking anchor locations. Eliminates the need for in-wall carriers. IAPMO certified to meet or exceed ANSI load requirements.

### Access Panel

Unique access panel design pivots on stainless steel brackets which easily allows for one person installation and removal. The access panel is composed of high impact polymer so it will not chip, peel, or flake. The fully enclosed vandal resistant design eliminates the need for plumbing wrap.

### Strainer and Drain Assembly

System comes complete with plungeable 300 series stainless steel strainers, tailpiece connection and your choice of a combined drain rough-in with one drain connection or individual drain rough-in connections.

### Vandal Resistance

Water supplies, valving, waste assembly and other optional items are completely concealed within the high impact access panel. Terreon bowl material is also highly vandal resistant and repairable.

### Faucets\*

Choose from our 0.35 gpm (1.3 Lpm) or 0.50 gpm (1.9 Lpm) Verge Faucets – Crestt, Metro, Linea, or Zen Series. 4" centerset and centershank faucet drillings are available for faucets by others.

### Soap Dispensers\*

Choose from our Verge Deck-Mounted Soap Dispensers – Crestt, Metro, Linea, or Zen Series. Dispensers can be arranged as personal soap (dispensers next to each faucet) or shared soap (one dispenser centered between faucets). See page 2 for drilling locations. Soap drillings available for soap by others.

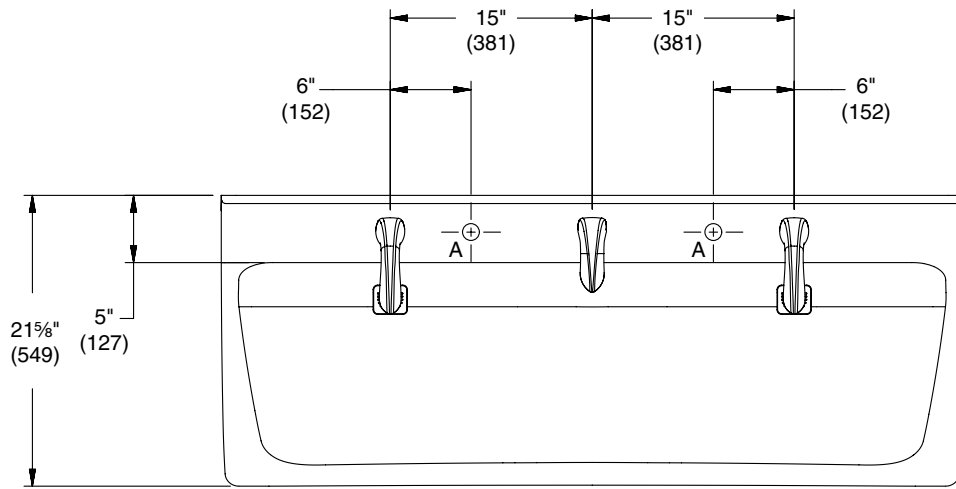
\*For primary/elementary school applications, Bradley recommends hands-free activation for soap dispensers and faucets in lieu of manual activation to ensure proper reach for kindergarten students.



# ELX-2 Express® Lavatory System – ELX-Series

Top View (shown with shared soap option)

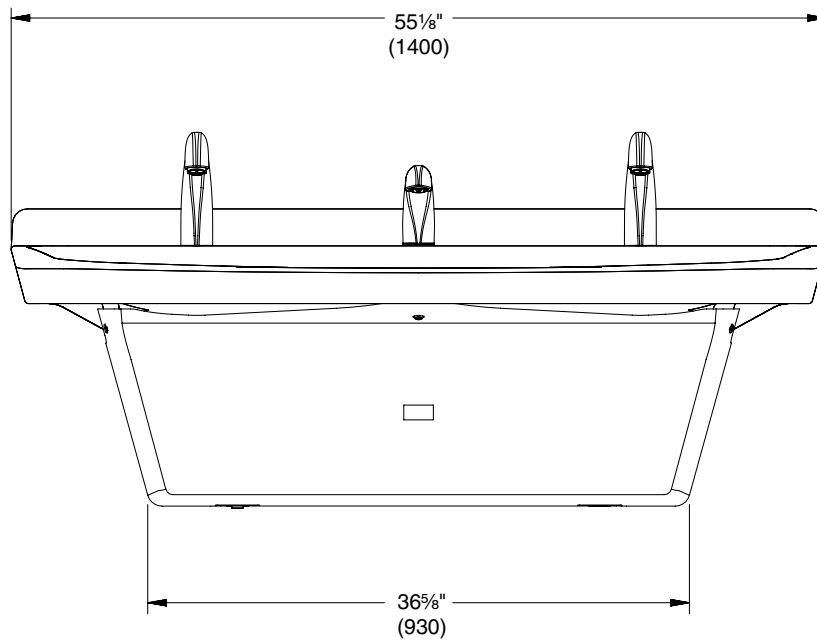
(mm)



A = personal soap locations

Front View (shown with covered backsplash option)

(mm)

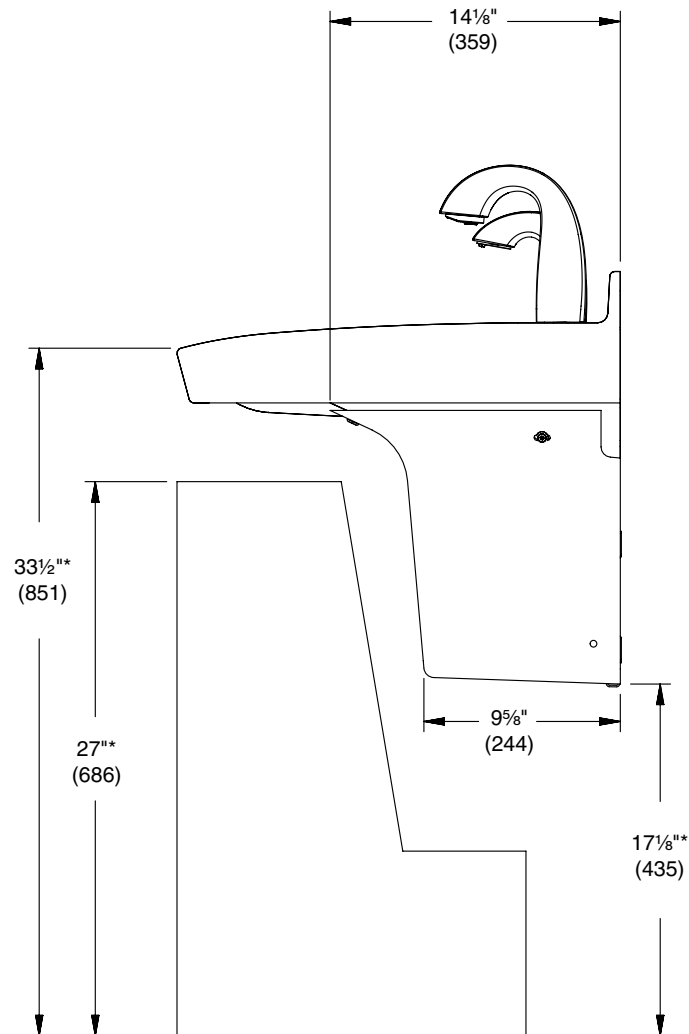




# ELX-2 Express® Lavatory System – ELX-Series

Side View (shown with Crestt Series Faucet and Soap)

(mm)



Rim Height	Vertical Height Adjustments	Fixture Style	Notes
33 1/2"	No Adjustment	Standard ADA & TAS	At least one basin must meet dimensional requirements and have proper reach, knee, and toe clearance.
30 1/2"	*Subtract 3"	Juvenile ADA & TAS	At least one basin must meet dimensional requirements and have proper reach, knee, and toe clearance.
26"	*Subtract 7 1/2"	Junior	For use by younger children where ADA guidelines are not a concern.



# ELX-2 Express® Lavatory System – ELX-Series

## Structural Rough-Ins

(mm)

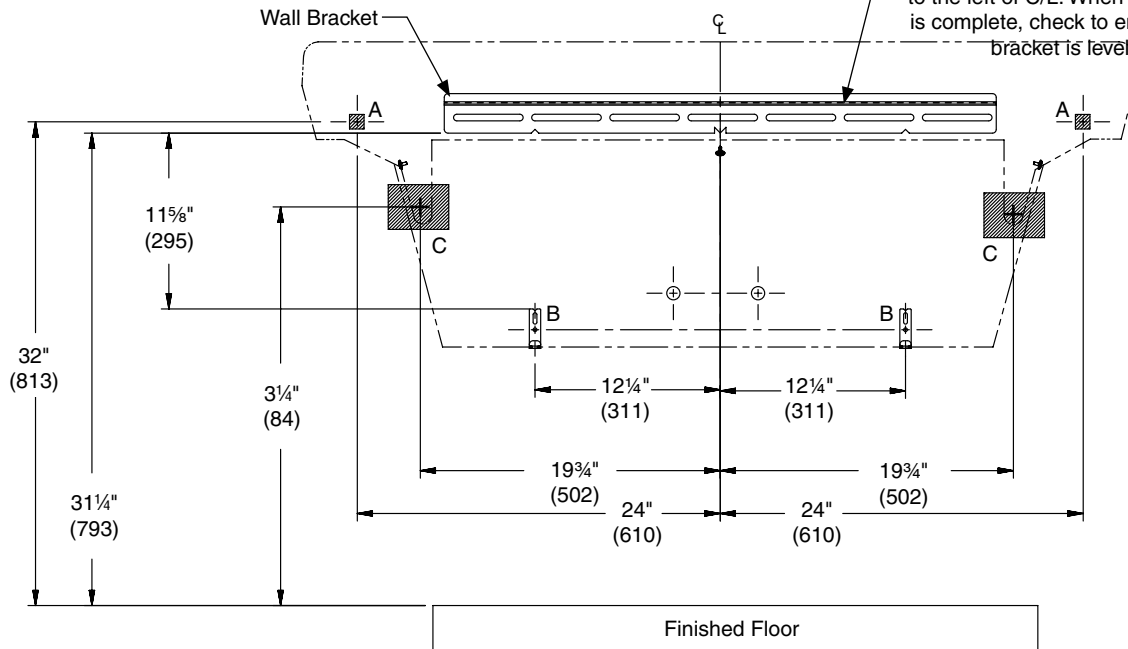


Mounting for standard ADA and TAS height shown.



Areas highlighted in gray require sufficient backing compliant with local building codes.

Secure bracket to wall using min. (2) 3/8" anchor bolts to the left of C/L and min. (2) 3/8" anchor bolts to the right of C/L. The (2) anchor bolts to the right of C/L must be min. 16" apart from the anchor bolts to the left of C/L. When mounting is complete, check to ensure the bracket is level.



CODE	DESCRIPTION	QTY.
A	Install (1) 3/8" wall anchor with a minimum pull-out force of 1,000 lb per local codes at locations shown	2
B	Install (2) wall anchors per bracket with a minimum pull-out force of 100 lb per local codes at locations shown	4
C	Provide structural backing compliant with local building codes.	2

Rim Height	Vertical Height Adjustments	Fixture Style
33 1/2"	No Adjustment	Standard ADA & TAS
30 1/2"	Subtract 3"	Juvenile ADA & TAS
26"	Subtract 7 1/2"	Junior



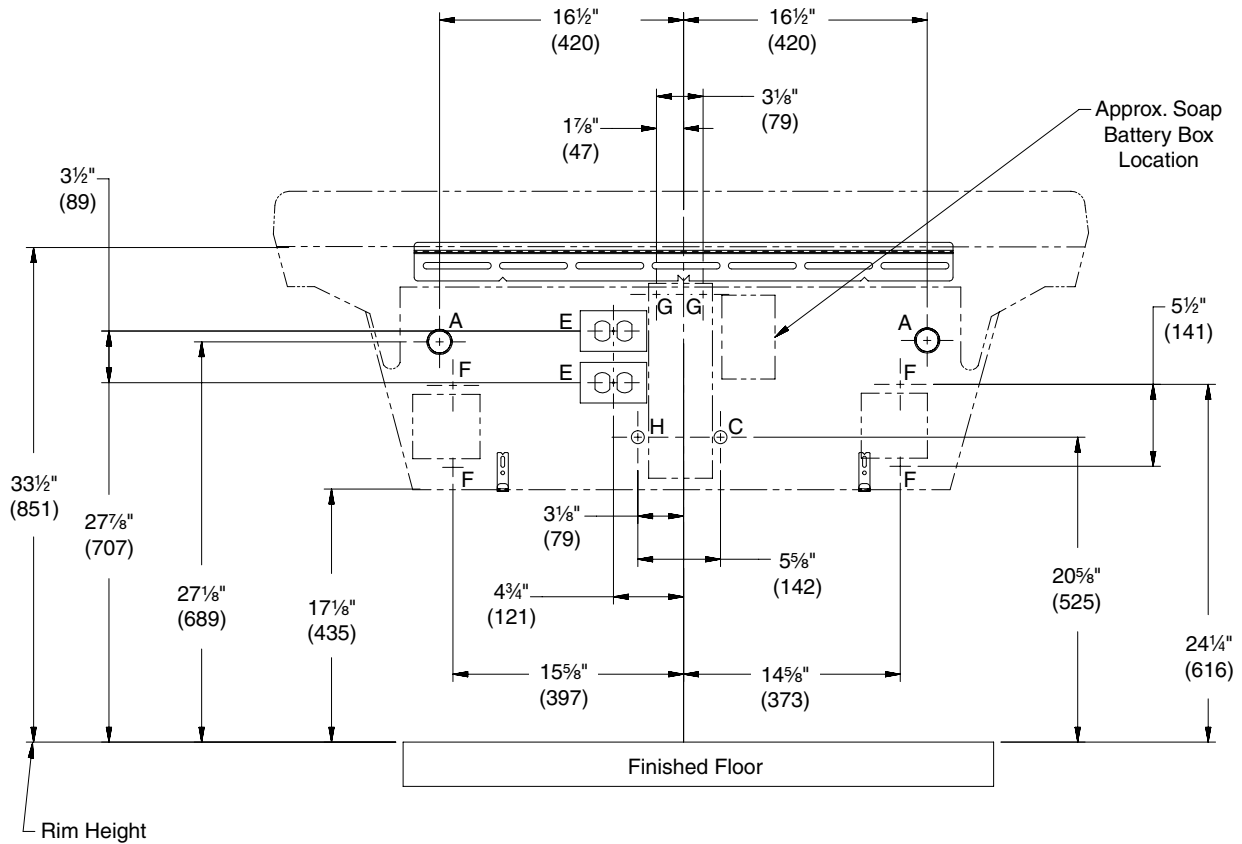
# ELX-2 Express® Lavatory System – ELX-Series

## Electrical Rough-Ins – Shared Soap

(mm)



Mounting for standard ADA and TAS height shown.



CODE	DESCRIPTION	QTY.
A	1½" NPT Drain, Stub-out 2" from wall, <b>individual waste option</b>	2
H,C	½" Nominal (⅝" O.D. Comp.) Hot/Cold supplies, Stub-out 2" from wall	1
E	110V GFI protected electrical outlet (AC faucet and soap only)	2
F	#10 Anchors for Faucet Control Box Installation	4
G	#10 Anchors for Soap Tank Installation	2



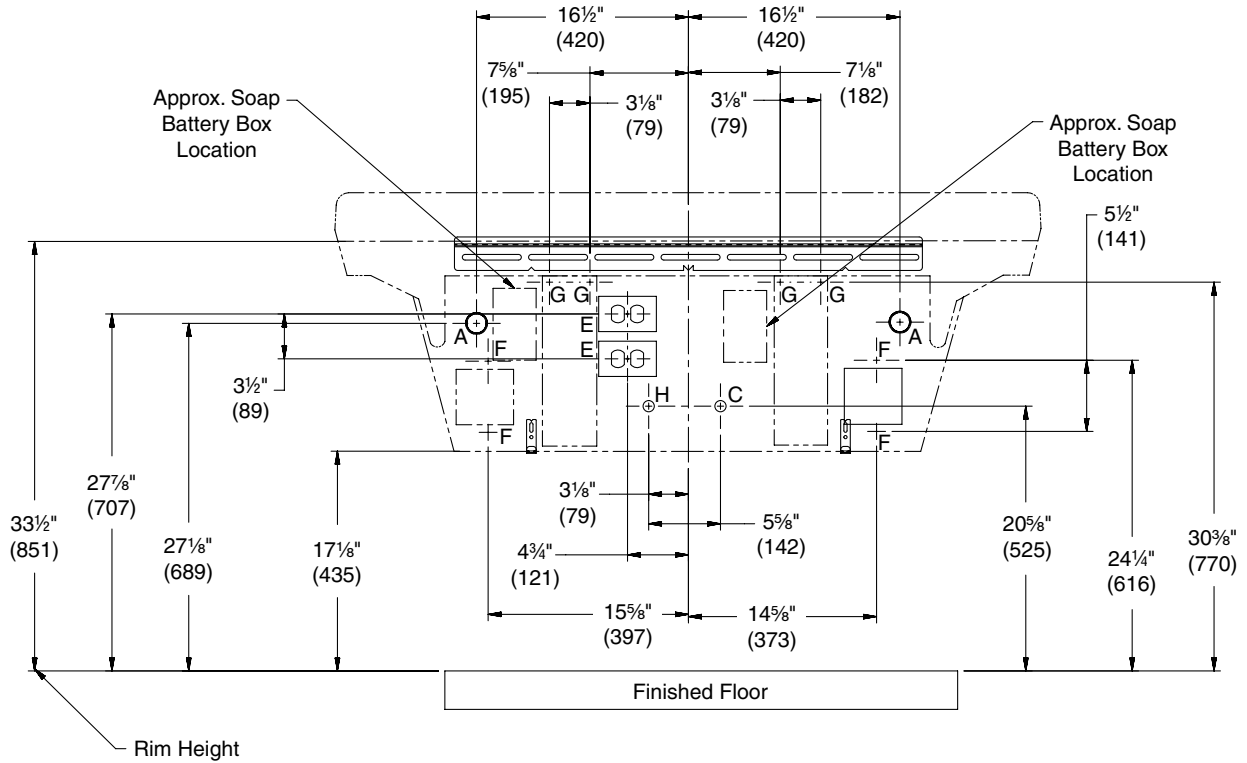
# ELX-2 Express® Lavatory System – ELX-Series

## Electrical Rough-Ins – Personal Soap

(mm)



Mounting for standard ADA and TAS height shown.



CODE	DESCRIPTION	QTY.
A	1 1/2" NPT Drain, Stub-out 2" from wall, <b>individual waste option</b>	2
H,C	1/2" Nominal (5/8" O.D. Comp.) Hot/Cold supplies, Stub-out 2" from wall	1
E	110V GFI protected electrical outlet (AC faucet and soap only)	2
F	#10 Anchors for Faucet Control Box Installation	4
G	#10 Anchors for Soap Tank Installation	4



# ELX-2 Express® Lavatory System – ELX-Series

## Electrical Rough-Ins – Combined Waste Option

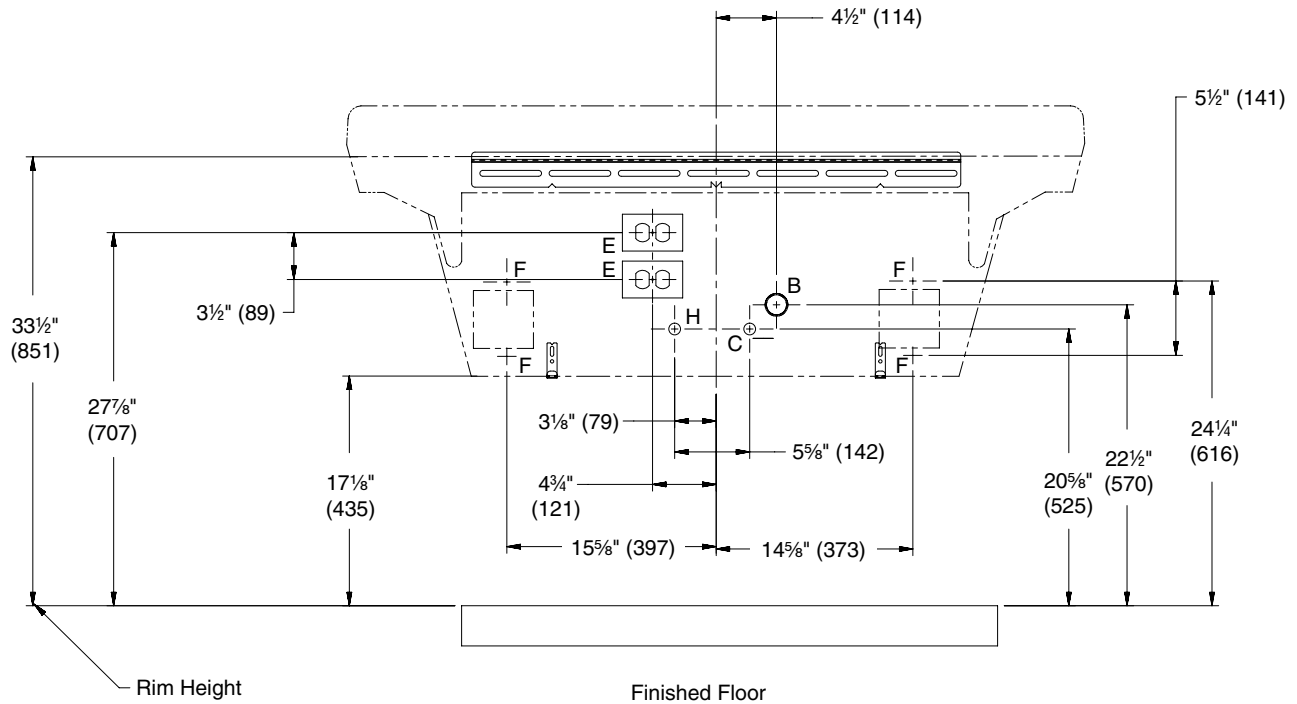
(mm)



Mounting for standard ADA and TAS height shown.



This option is only available with no soap or soap drilling.



CODE	DESCRIPTION	QTY.
B	1½" NPT Drain, Stub-out 2" from wall, <b>combined waste option</b> (waste arms to be cut in field)	2
H,C	½" Nominal (⅝" O.D. Comp.) Hot/Cold supplies, Stub-out 2" from wall	1
E	110V GFI protected electrical outlet (AC faucet and soap only)	2
F	#10 Anchors for Faucet Control Box Installation	4



# ELX-2

## Express® Lavatory System – ELX-Series

<b>Models (Must select one)</b>	
<b>Model</b>	<b>Description</b>
ELX-2	Express Lavatory System ELX-2
<b>Standard Selections (Must select one from each category)</b>	
<b>Faucet Type (select one)</b>	
<b>S53-3100</b>	Verge Faucet – Crestt Series
<b>S53-3300</b>	Verge Faucet – Metro Series
<b>S53-3500</b>	Verge Faucet – Linea Series
<b>S53-3700</b>	Verge Faucet – Zen Series
<b>4" Set</b>	4" Centerset (1¼" Drilling Only)
<b>SHANK</b>	Centershank (1¼" Drilling Only)
<b>NFD</b>	No Drilling
<b>Faucet Activation Type (select one)</b>	
<b>R</b>	Touch-Free Activation △
<b>NONE</b>	No Activation ▲
<b>Water Supply Type (select one)</b>	
<b>T</b>	Thermostatic Mixing Assembly (supply hoses and shut-offs included)
<b>L</b>	Single Tempered Line Assembly (supply hoses and shut-offs included)
<b>Flow Control Type △ (select one)</b>	
<b>3</b>	0.35 gpm Silicone Tip, Multiple Individual Laminar Flow Streams
<b>5</b>	0.50 gpm Silicone Tip, Multiple Individual Laminar Flow Streams
<b>Faucet Finish Type △ (select one)</b>	
<b>PC</b>	Polished Chrome
<b>BB</b>	Brushed Black Stainless
<b>BS</b>	Brushed Stainless
<b>BZ</b>	Brushed Bronze
<b>BR</b>	Brushed Brass
<b>BN</b>	Brushed Nickel
<b>Faucet Power Supply (select one)</b>	
<b>AC</b>	AC Power △**
<b>BA</b>	Battery – 4x AA alkaline batteries included per faucet.△
<b>NONE</b>	No Power Supply ▲

<b>Soap Dispenser Type (select one)</b>	
<b>6-3100</b>	Verge Deck-Mounted Soap Dispenser – Crestt Series △
<b>6-3300</b>	Verge Deck-Mounted Soap Dispenser – Metro Series △
<b>6-3500</b>	Verge Deck-Mounted Soap Dispenser – Linea Series △
<b>6-3700</b>	Verge Deck-Mounted Soap Dispenser – Zen Series △
<b>SDO</b>	1-3/8" Soap Drilling Only
<b>NSD</b>	No Soap Dispenser/No Drilling
<b>Soap Drilling Location (select one)</b>	
<b>SSD</b>	Shared Soap Drilling (centered between faucets - 1 drilling)
<b>PSD</b>	Personal Soap Drilling (next to each faucet - 2 drillings)
<i>NOTE: Refer to page 2 for soap drilling locations.</i>	
<b>Soap Activation Type (select one)</b>	
<b>R</b>	Touch-Free Activation ◇
<b>NONE</b>	No Activation ♦
<b>Soap Type ◇ (select one)</b>	
<b>F</b>	Foam Soap
<b>L</b>	Liquid Soap
<b>Soap Fill System ◇ (select one)</b>	
<b>T</b>	Single (top fill at spout)
<b>Soap Dispenser Finish Type ◇ (select one)</b>	
<b>PC</b>	Polished Chrome
<b>BB</b>	Brushed Black Stainless
<b>BS</b>	Brushed Stainless
<b>BZ</b>	Brushed Bronze
<b>BR</b>	Brushed Brass
<b>BN</b>	Brushed Nickel
<b>Soap Power Supply (select one)</b>	
<b>AC</b>	AC Power ◇**
<b>BA</b>	Battery – 4x D-cell batteries included per dispenser ◇
<b>NONE</b>	No Power Supply ♦

\* Non-cancelable, non-returnable.

\*\* AC power supply will include either individual AC plug-in adapter or 4-way AC splitter assembly depending on configuration.

△ Available with faucet selection only.

▲ Available with faucet drilling only.

◇ Available with soap dispenser selection only.

♦ Available with soap drilling only.

† This color contains large, randomly distributed chips.





### Standard Selections (Must select one from each category)

#### Color of Terreon Deck (select one)

##### Standard Colors

<b>ALP-WHT</b>	Alpine White	<b>LONDON</b>	London Gray
<b>AVALANCHE</b>	Avalanche†	<b>MOONSTONE</b>	Moonstone†
<b>BONE</b>	Mesa Bone	<b>O-TAUPE</b>	Organic Taupe
<b>DRIFT</b>	Driftwood†	<b>PEBBLE</b>	Pebble Beach
<b>DS-WHT</b>	Designer White	<b>PEP-WHT</b>	Peppered White
<b>DUNE</b>	Sand Dune†	<b>POLAR</b>	Polar Ice†
<b>E-GRAY</b>	Empire Gray	<b>SAND</b>	Sandtrap
<b>GLACIER</b>	Glacier	<b>S-CREEK</b>	Stone Creek
<b>GRAPH</b>	Graphite	<b>S-MIST</b>	Silver Mist
<b>LANNON</b>	LannonStone	<b>WHT-SAND</b>	White Sand

##### Designer Colors\* (available at an additional charge)

<b>ARC-CHIP</b>	Arctic Chip	<b>COFFEE</b>	Coffee Bean
<b>RIVER</b>	Riverstone		

##### TerreonRE Colors\* (available at an additional charge)

<b>BIRCH BARK</b>	Birch Bark	<b>MOONDUST</b>	Moon Dust
<b>DUSK</b>	Dusk	<b>OAT</b>	Oat

#### Backsplash Type (select one)

<b>BS</b>	Integral 2½" Coved Backsplash
<b>NBS</b>	No Backsplash

#### Access Panel Type (select one)

<b>COAL</b>	Coal
-------------	------

#### Waste Assembly Type (select one)

<b>CW-CHROME</b>	Chrome-Plated Combined Waste Assembly (1 P-Trap/1 drain connection) ♦
<b>CW-POLY</b>	Polypropylene Combined Waste Assembly (1 P-Trap/1 drain connection) ♦
<b>IW-CHROME</b>	Chrome-Plated Individual Waste Assembly (2 P-Trap/2 drain connections)
<b>IW-POLY</b>	Polypropylene Individual Waste Assembly (2 P-Trap/2 drain connections)
<b>NONE</b>	Waste Assembly by Others

- \* Non-cancelable, non-returnable.
- \*\* AC power supply will include either individual AC plug-in adapter or 4-way AC splitter assembly depending on configuration.
- △ Available with faucet selection only.
- ▲ Available with faucet drilling only.
- ◇ Available with soap dispenser selection only.
- ◆ Available with soap drilling only.
- † This color contains large, randomly distributed chips.