

- Model 235 — Recessed **Bradex**®
- Model 235-10 — Semi-Recessed (recesses 1-31/32"; projects 2-3/32")
- Model 235-11 — Surface-Mounted (projects 4-1/16")
- Standard Series — Satin Finish

Product Materials

CABINET: 24 gauge steel. Welded construction with seamless corners and burr-free edges.

FLANGE: 22 gauge stainless steel with exposed surfaces in architectural satin finish. One piece seamless construction, 1" wide radiused corners with 1/4" return.

DOORS: 18 gauge stainless steel. Warp resistant, with full length piano hinge and tumbler lock keyed like other Bradley units.

TOWEL DISPENSER: 22 gauge stainless steel. Rolled edge on dispenser opening.

WASTE CONTAINER INSERT: leakproof molded plastic.

Capacity

Towel Dispenser — 800 multi-fold or 500 C-fold paper towels
 Waste Receptacle Insert — 4.9 gal. (0.65 cu. ft.)

Operation

Towel dispenser holds multi-fold or C-fold towels without use of special adaptor. Waste receptacle insert removable for easy servicing by unlocking waste container.

Installation

Verify all rough-in dimensions prior to installation. Recessed unit requires rough wall opening 15-3/4"W x 54-5/8"H x 4"D (Semi-recessed unit only 2" deep). Secure to framing with mounting screws (included) at holes provided. Shim at screw points as required. Surface-mounted units must have holes drilled by installer.

Guide Specification

Recessed combination towel dispenser and waste receptacle shall be fabricated of 22 gauge stainless steel with exposed surfaces in satin finish. Cabinet doors of warp-free construction, equipped with full length piano hinge and secured by tumbler lock. Towel dispenser capacity 800 multi-fold or 500 C-fold towels. Removable 4.9 gal. leakproof molded plastic insert for waste receptacle.

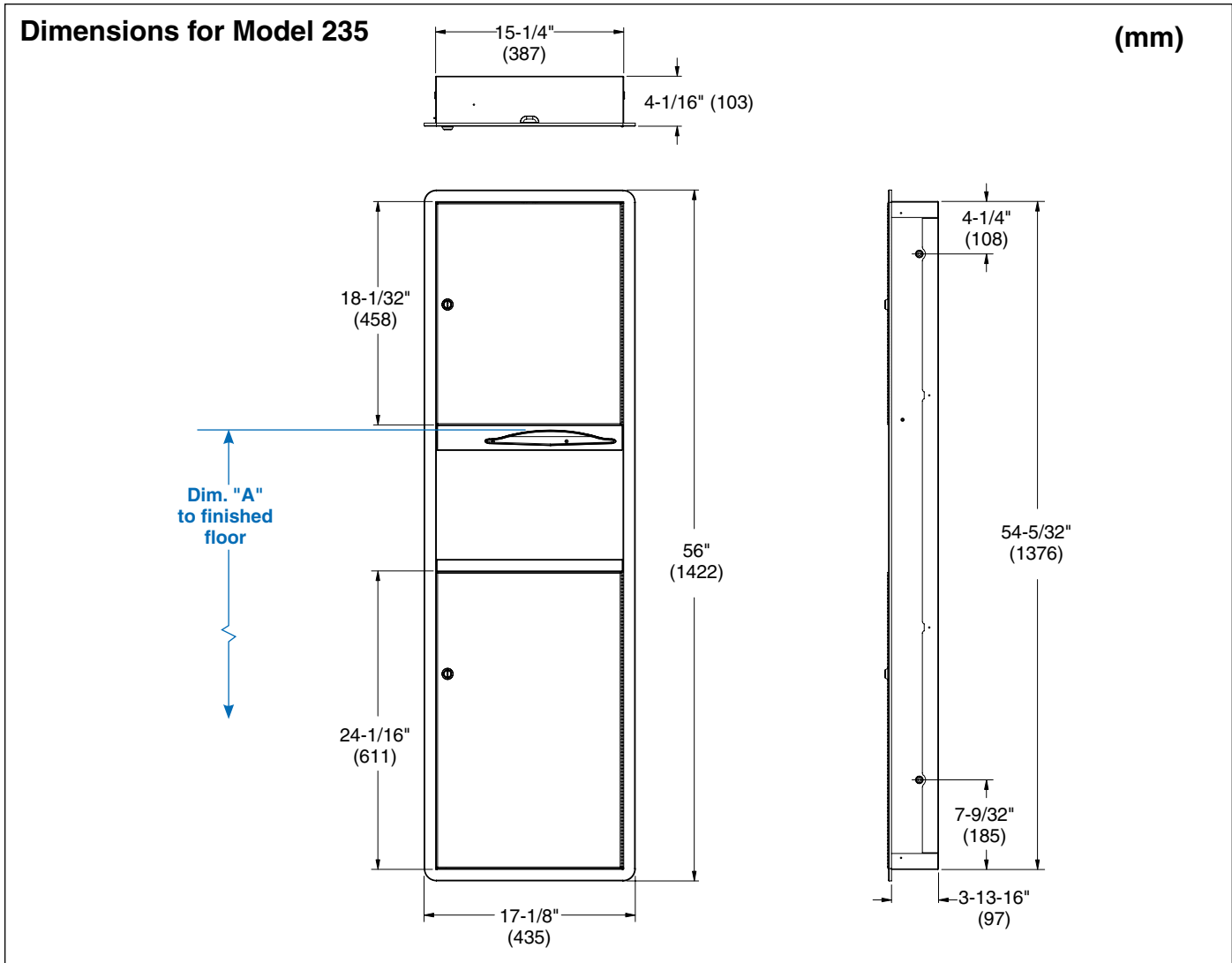
Overall dimensions: 17-1/8"W x 56"H x 4-1/16"D.



ADA Compliant

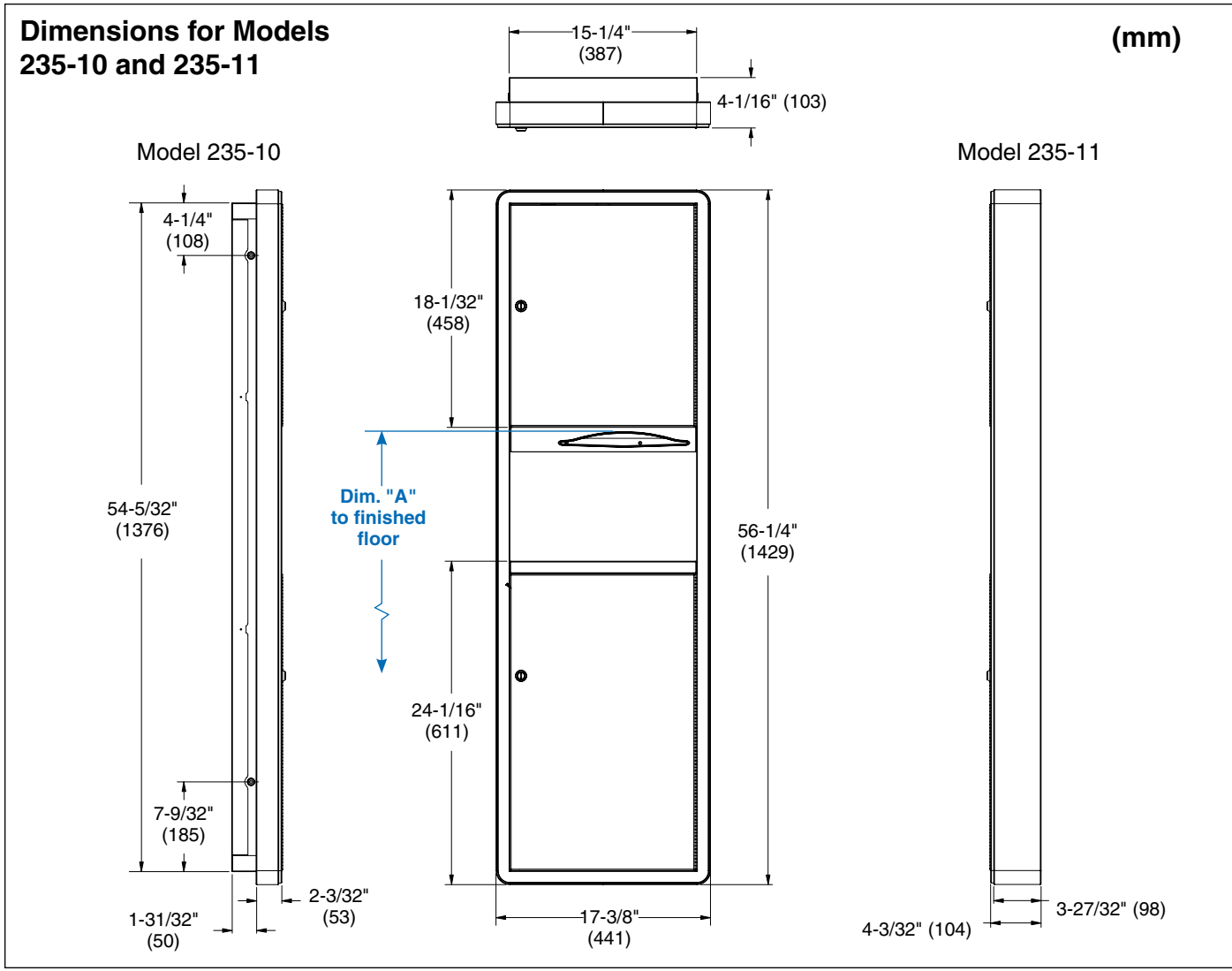
- Consult local and national accessibility codes for proper installation guidelines.
- Conformity and compliance to local and national codes is the responsibility of the installer.

Orders composed of products indicated as **Bradex**® will be available to ship in three days after receipt of order at the factory. There is no pricing penalty for this service from Bradley.



Dim. "A" Key Surface:	For Dim. "A"	Top of Rough Wall Opening	Bottom of Rough Wall Opening
Paper towel top of opening to finished floor	48" (1219)	66-3/4" (1695)	12-1/8" (308)
	45" (1143)	63-3/4" (1619)	9-1/8" (232)
	42" (1067)	60-3/4" (1543)	6-1/8" (156)
	40" (1016)	58-3/4" (1492)	4-1/8" (105)
Rough wall opening:			
Recessed:		15-3/4" (401) Wide x 54-5/8" (1388) High x 4" (102) Deep	

Orders composed of products indicated as **Bradex**® will be available to ship in three days after receipt of order at the factory. There is no pricing penalty for this service from Bradley.



Dim. "A" Key Surface:	For Dim. "A"	Top of Rough Wall Opening	Bottom of Rough Wall Opening
Paper towel top of opening to finished floor	48" (1219)	66-3/4" (1695)	12-1/8" (308)
	45" (1143)	63-3/4" (1619)	9-1/8" (232)
	42" (1067)	60-3/4" (1543)	6-1/8" (156)
	40" (1016)	58-3/4" (1492)	4-1/8" (105)
Rough wall opening:			
Surface Mount:	No rough opening, see overall dimensions		
Semi-recessed:	15-3/4" (401) Wide x 54-5/8" (1388) High x 2" (51) Deep		

Orders composed of products indicated as **Bradex**® will be available to ship in three days after receipt of order at the factory. There is no pricing penalty for this service from Bradley.