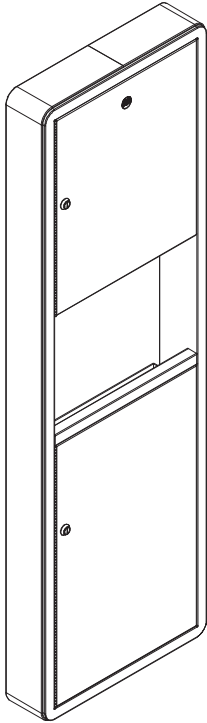


# Installation

## Model 235

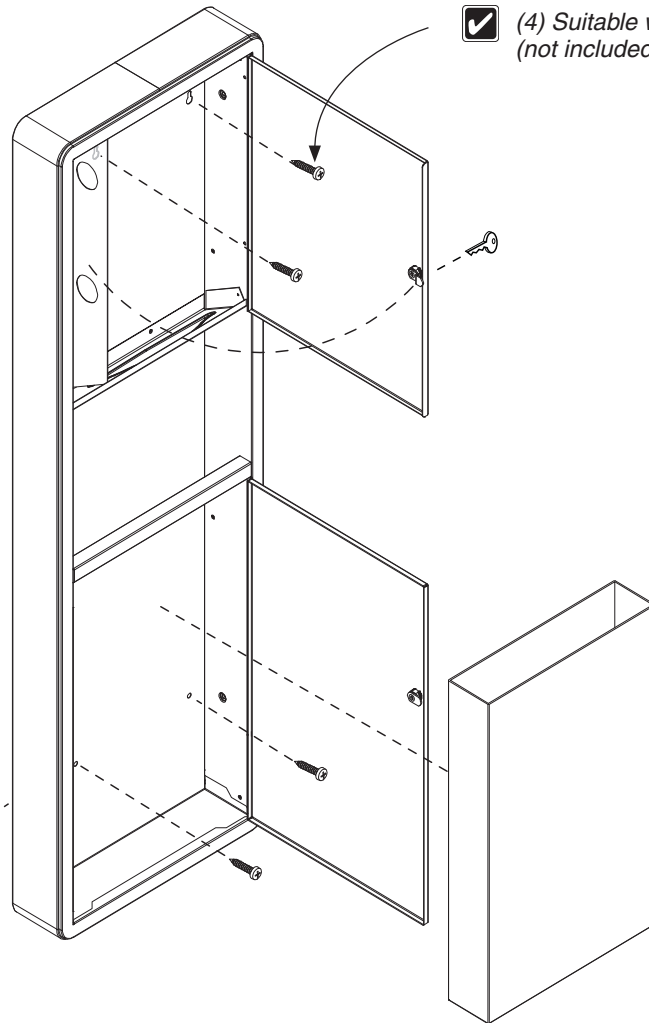
### Towel Dispenser/Waste Receptacle



- ☑ *Coordinate installation with architect and contractor to avoid protrusion from opposite wall, pipes vent, conduits, electrical wiring etc. in wall. Follow all applicable local building codes. If installing where unit projects above top of wainscot, provide aluminum channel or other filler to prevent gap from finished wall and flange of unit. For block walls, use metal expansion shields (not included).*

**Surface-Mounted Unit**  
*(for Recessed and Semi-Recessed units, see next page)*

- ☑ (4) Suitable wall anchors (not included.)

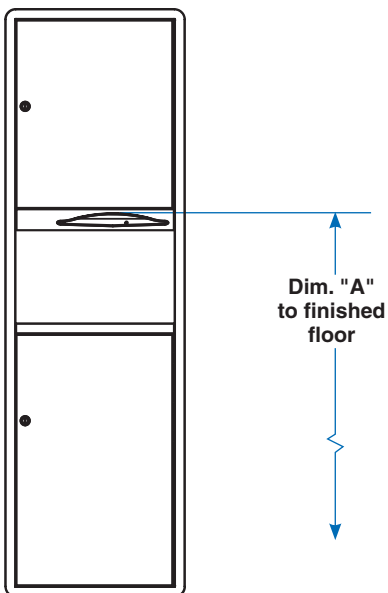
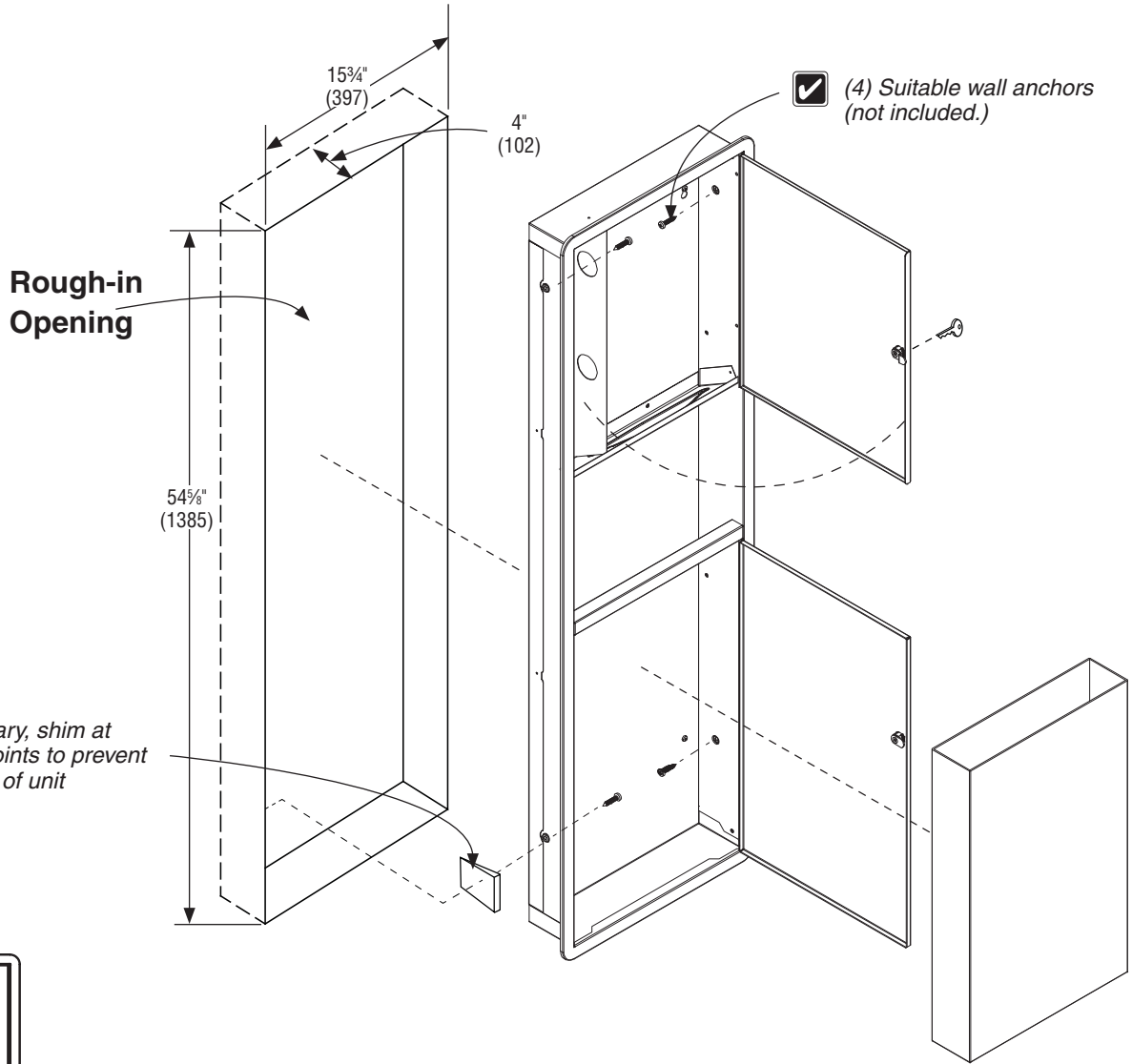


- ☑ *If necessary, shim at anchor points to prevent distortion of unit.*

# Installation

## Recessed and Semi-Recessed Dispenser/Waste Receptacle

Coordinate installation with architect and contractor to avoid protrusion from opposite wall, pipes vent, conduits, electrical wiring etc. in wall. Follow all applicable local building codes. If installing where unit projects above top of wainscot, provide aluminum channel or other filler to prevent gap from finished wall and flange of unit. For block walls, use metal expansion shields (not included).



Dim. "A" Key Surface:	For Dim. "A"	Top of Rough Wall Opening	Bottom of Rough Wall Opening
Paper towel top of opening to finished floor	48" (1219mm)	66-3/4" (1695mm)	1-1/8" (308mm)
	45" (1143mm)	63-3/4" (1619mm)	9-1/8" (232mm)
	42" (1067mm)	60-3/4" (1543mm)	6-1/8" (156mm)
	40" (1016mm)	58-3/4" (1492mm)	4-1/8" (105mm)