



S19345JXB, S19345JFB, S19345JXBT, S19345JFBT Barrier-Free Recessed Drench Shower and Halo Eye/Face Wash

- Halo™ Delivers the Most Effective Eye/Face Washdown Coverage and Spray Pattern
- Exceeds American National Standard Z358.1 Specifications
- Durable, Ceramic Valve
- Precise 20° Swing-Down Activation
- Shower Activation Handle is Fully Recessed
- Sturdy One-Piece Cabinet for Quick and Easy Installation
- Chrome-Plated Brass on Exposed Pipe and Fittings
- Universal Identification Sign and Inspection Tag Included
- Halo™ Eye/Face Wash is Covered by the Following Patent: D662,220; D685,920. Other Patents Pending.
- SpinTec™ Showerheads are Covered by One or More of the Following Patents: 8113446; D594,089; D669,555; Reg. Comm. Des. D001079560-0001. Other Patents Pending.

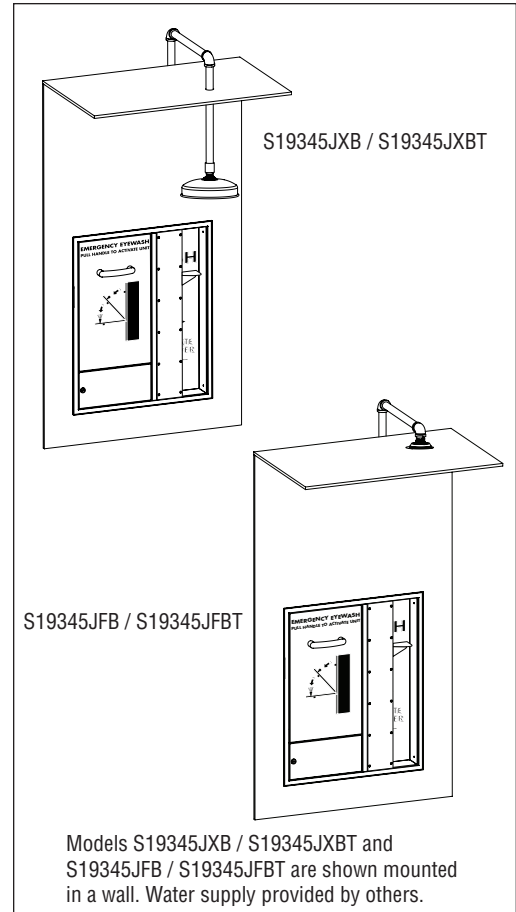


Specifications

Barrier-free design makes this shower and eye/face wash fully accessible to people with physical disabilities. Halo eye/face wash provides effective wash down coverage and spray pattern. Integral strainer reduces debris in the water and also prevents clogging. Unit is flush-mounted into the wall. This unit is designed to accommodate areas where space considerations are a concern. Such areas may include, but are not limited to, laboratories, hospitals, and schools. Shower activation handle does not break the plane of the wall. This ensures no obstructions protrude from the wall. Shower valve activates when handle is pushed downward. No tight pinching or grasping is required. Showerhead is designed for varying water supply pressures from 30-90 PSI ensures a minimum flow of 20 GPM for ANSI compliance. Eye/face wash operates by pulling cabinet door down. New vandal resistant ceramic valve limits wear and tear on moving parts, providing dependability and long lasting performance. Water is collected by the door assembly and directed back into the wall for drainage.

- ANSI Z358.1 compliant drench showers are mounted between 82"-96" from the lower edge of the showerhead or shroud to the floor.*
- This plumbing fixture is not intended to dispense water for human consumption through drinking or for preparation of food or beverages.*

Model	Description
<input type="checkbox"/> S19345JXB	Barrier-Free Recessed Drench Shower and Halo Eye/Face Wash with Recessed Shower Handle, Extended Showerhead and Tailpiece
<input type="checkbox"/> S19345JFB	Barrier-Free Recessed Drench Shower and Halo Eye/Face Wash with Recessed Shower Handle, Flush-Mounted Showerhead and Tailpiece
<input type="checkbox"/> S19345JXBT	Barrier-Free Recessed Drench Shower and Halo Eye/Face Wash with Recessed Shower Handle, Extended Showerhead and P-trap
<input type="checkbox"/> S19345JFBT	Barrier-Free Recessed Drench Shower and Halo Eye/Face Wash with Recessed Shower Handle, Flush-Mounted Showerhead and P-trap
<input type="checkbox"/> S19-2200	Navigator EFX60 - Emergency Thermostatic Mixing Valve



Recommended Option:
Navigator S19-2200 EFX60
Emergency Thermostatic Mixing Valve

NAVIGATOR

Satisfies ANSI Z358.1
tepid water requirements.

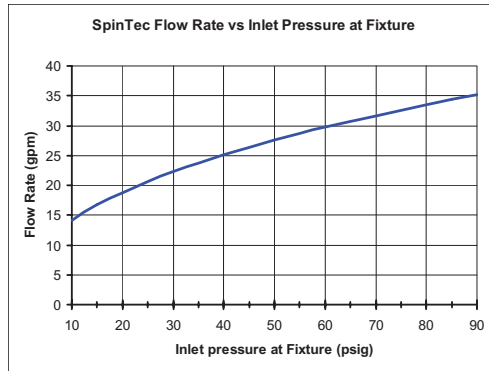
Standard Equipment

Cabinet and Door

Stainless Steel. Hinged locked door conceals stop valve, tailpiece and eye/face wash fittings.

SpinTec™ Showerhead

31/10" (78.7mm) diameter highly visible yellow impact-resistant plastic with optional 10¾" (273mm) diameter corrosion-resistant stainless steel shroud. SpinTec drench showerhead features integral 22 GPM flow control, conserving water and helping to accurately size your tepid water system.



Shower Valve

Chrome-plated brass 1" NPT stay-open ball valve. Hand operated by a black powder-coated stainless steel handle when pushed downward.

Eye/Face Wash Valve

Ceramic ½" NPT stay-open valve. The ceramic discs provide a precise 20° activation and deactivation angle, minimizing excessive splashing when the unit is activated.

Eye/Face Wash Sprayhead Assembly

The Halo eye/face wash system offers a high performance rinsing platform that provides rapid relief to an individual's eyes and face that have been injured by chemicals or particulate. This system provides the most complete face wash available in the market. The eye/face wash includes an integral 5.1 gpm flow control providing water at a safe velocity while maintaining its effectiveness (exceeds minimum water flow of 3.0 GPM at 30 PSI). Safe, steady water flow under varying water supply conditions from 30-90 PSI is assured by integral flow control in the sprayhead assembly.

Pipe and Fittings

1" copper piping, brass and chrome-plated fittings. Piping is supplied by others.

Water Supply

1" NPT for drench shower, ½" NPT for eyewash.

Eyewash Waste

1¼" drain is provided with tailpiece (models S19345JXB and S19345JFB) or optional P-trap (models S19345JXBT and S19345JFBT).

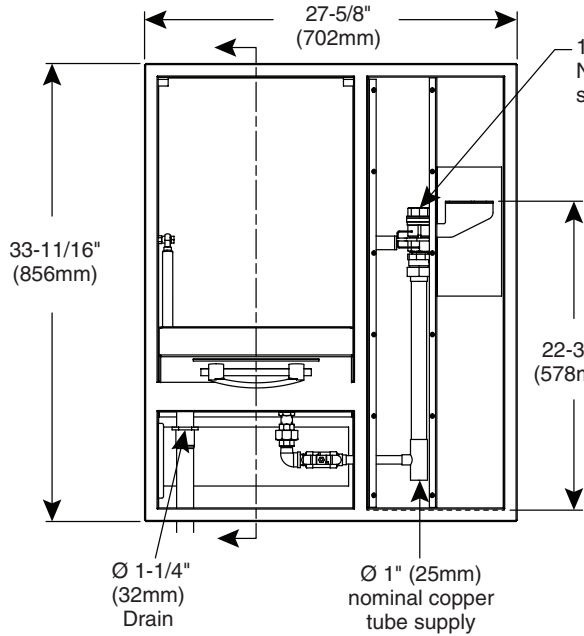


A 4" floor drain is recommended for drench shower waste (supplied by others).

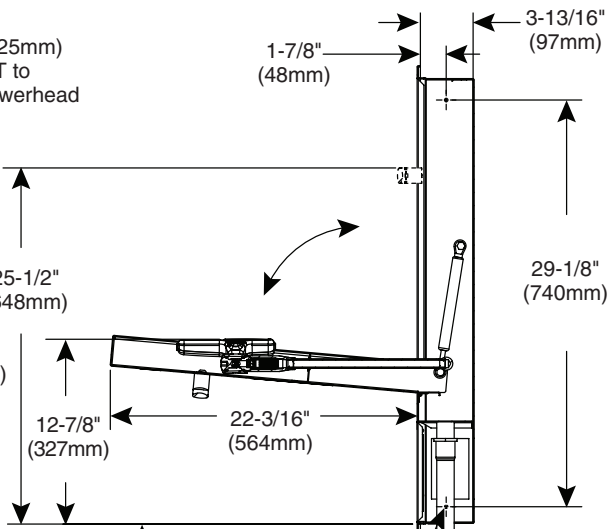
Installation

A rough wall opening of 25½"W x 32½"H x 4"D is required. Frame is integral to the unit. Secure unit to framing with screws (supplied by installer) at the holes provided.

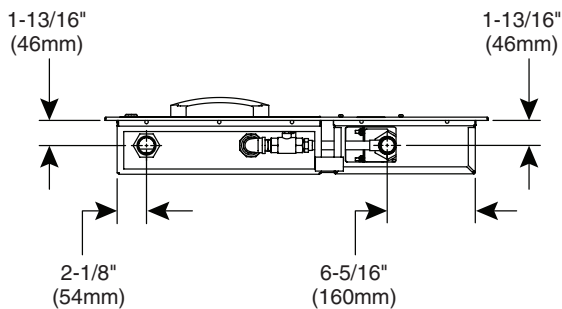
Front View



Side View



Bottom View



20-1/8" to 32-1/8"
 (511mm to 816mm)
 to floor for ANSI compliance

20-1/8" to 23-1/8"
 (511mm to 587mm)
 to floor for "barrier free"
 compliance

Bradley recommends
 mounting at 20-1/8" to
 accommodate the maximum
 number of users

