

- Halo™ and SpinTec™ Deliver the Most Effective Shower and Eye/Face Washdown Coverage and Spray Pattern
- Exceeds American National Standard Z358.1 Specifications
- Exceeds European EN 15154-1 & EN 15154-2
- Industry's Only Self-Draining Design – The Aquaduct™
- Separate Supply and Waste Pipes – Meets CEN and Plumbing Requirements
- Ergonomic Hand Activation Eyewash Paddle – Easy to Reach from Any Direction
- Fully-Assembled and Factory-Tested Eyewash or Eye/Face Wash with Hinged Dust Covers
- Yellow Transparent Plastic and Stainless Steel Bowl Covers Available
- Barrier Free Options Are Available
- Universal Identification Sign and Inspection Tag Included
- Classified by Underwriters Laboratories Inc. to ANSI Z358.1.
- Listed by Intertek to EN 15154-1 & EN 15154-2
- SpinTec showerheads are covered by one or more of the following patents: 8113446; D594,089; D669,555; Reg. Comm. Des. D001079560-0001. Other patents pending.
- Halo is Covered by One or More of the Following Patents: D662,220; D662,219; D685,920. Other Patents Pending.



### Specifications

Standard and Barrier-Free Combination Drench Shower/Eyewash or Eye/Face Wash Units save space and fit easily into any work environment. Shower valve operates quickly by a pull rod with a triangular handle. Shower provides a superior washdown with a more even spray pattern. Halo eyewash or eye/face wash, operated by an ergonomic, highly visible push handle, provides effective wash down coverage and spray pattern. Integral strainer reduces debris in the water and also prevents clogging.

*This plumbing fixture is not intended to dispense water for human consumption through drinking or for preparation of food or beverages.*



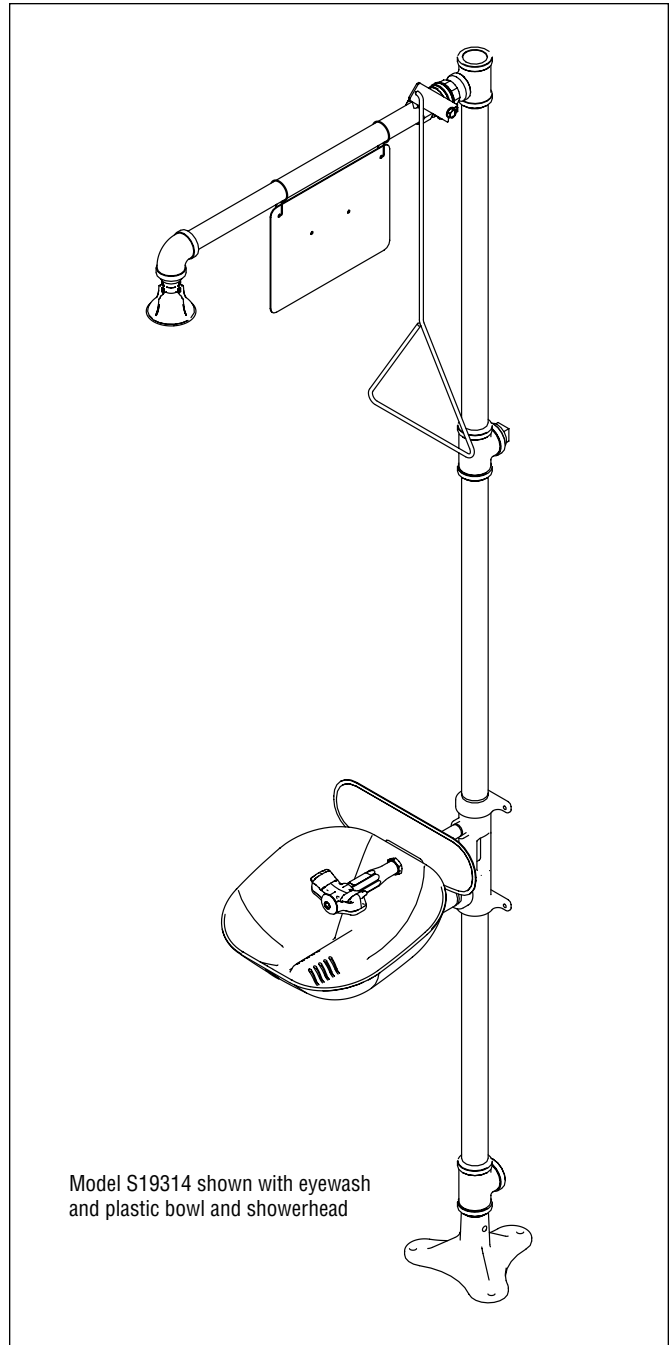
#### Recommended Option:

Navigator S19-2100 EFX25  
Emergency Thermostatic Mixing Valve

**NAVIGATOR**



Satisfies ANSI Z358.1  
tepid water requirements.



Model S19314 shown with eyewash and plastic bowl and showerhead

### Pipe and Fittings

1¼" piping assembly manufactured of one of the following materials:

- Galvanized steel with BradTect® safety yellow coating
- Type 304 corrosion resistant stainless steel
- Type 316 corrosion-resistant stainless steel
- Chrome plated red brass.

### Ball Valve

1" shower ball valve and ½" stay-open eye and eye/face wash valve manufactured of the following materials and supplied with either type 304 or 316 stainless steel pull rod and handle:

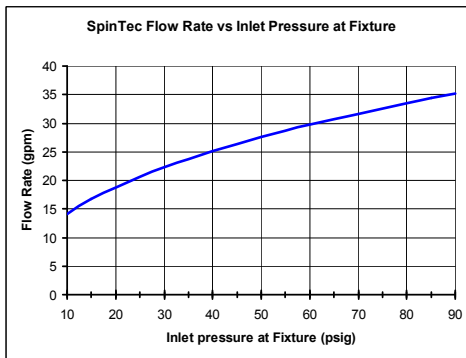
- Chrome-plated brass
- Type 316 stainless steel
- Self-closing shower valve and stay-open eyewash ball valve.



Self-closing shower valve may not meet local requirements for shower activation.

### SpinTec™ Showerhead

Standard showerhead is 3.1" (78.7mm) diameter highly visible yellow impact-resistant plastic. Optional 10" (254mm) diameter yellow impact-resistant plastic or 10¾" (273mm) diameter corrosion-resistant stainless steel shroud. High performance Type 304 or Type 316 corrosion-resistant stainless steel showerhead measures 1½" (38mm) in diameter. SpinTec drench showerhead features integral 22 GPM (83.3 L) flow control (exceeds minimum water flow of 20 GPM (75.7L) at 30 PSI (2.0 bar)), conserving water and helping to accurately size your tepid water system.



### Eyewash

The Halo eyewash system offers a high performance rinsing platform that provides rapid relief to an individual's eyes that have been injured by chemicals or particulate. The eyewash includes an integral 5.1 GPM (19.2 L) flow control, providing water at a safe velocity while maintaining its effectiveness (exceeds minimum water flow of 0.4 GPM (1.5 L) at 30 PSI (2.0 bar)). The eyewash is protected by flip open dust covers that open when the product is activated or by a full bowl dust cover that activates the unit when it is opened. Safe, steady water flow under varying water supply conditions from 30–90 PSI (2.0–6.1 bar) is assured by integral flow control in the sprayhead assembly.

### Eye/Face Wash

The Halo eye/face wash system offers a high performance rinsing platform that provides rapid relief to an individual's eyes and face that have been injured by chemicals or particulate. This system provides the most complete face wash available in the market. The eye/face wash includes an integral 5.1 GPM (19.2 L) flow control, providing water at a safe velocity while maintaining its effectiveness (exceeds minimum water flow of 3.0 GPM (11.4 L) at 30 PSI (2.0 bar)). The eye/face wash is protected by flip open dust covers that open when the product is activated or by a full bowl dust cover that activates the unit when it is opened. Safe, steady water flow under varying water supply conditions from 30–90 PSI (2.0–6.1 bar) is assured by integral flow control in the sprayhead assembly. Sprayheads are made from an impact resistant ABS plastic or from durable 304/316 stainless steel with electro-polished finish.

### Bowl and Dust Cover

Bowl is constructed of yellow impact-resistant plastic, Type 304 corrosion-resistant stainless steel or Type 316 corrosion-resistant stainless steel. Optional dust cover is constructed of transparent yellow impact-resistant plastic, Type 304 corrosion-resistant stainless steel or Type 316 corrosion-resistant stainless steel.

### Activation

Type 304 Stainless steel push handle with optional aluminum or type 304 stainless steel foot pedal. Type 316 stainless steel push handle with optional Type 316 stainless steel foot pedal.

### Drench Hose

Perforated sprayhead with protective sprayhead cover is ABS plastic and provides soft spray for cleansing eyes and face. Chrome-plated brass valve with extended handle stays open once handle is squeezed. 8' (2438mm) yellow reinforced thermoplastic hose has ¾" NPT male thread. Burst strength is 450 PSI (31 bar). Attachment Kit includes ½" NPT supply, fittings and hanger for attaching hose to eyewashes or drench showers. The sprayhead contains an antimicrobial agent to protect the sprayhead.

### Backflow Prevention

Series N9 dual-check backflow preventer has a chrome-nickel plated brass body and includes atmospheric vent for continuous pressure applications. The check valve comes with ¾" female dual NPT female inlet and outlet connections. It can sustain a maximum pressure of 125 PSI (8.6 bars). The check valve is certified to CSA B64.8.

Series 9D dual-check backflow preventer with intermediate atmospheric vent can be used under continuous pressure. The primary check valve uses a rubber disc seating adjacent to a mating rubber part to ensure tight closing. A second check valve employs a rubber disc-to-metal seating.



**Halo Pre-Configured Models**

Halo Model Number	Description
<b>Eyewashes</b>	
<input type="checkbox"/> S19314EW*	Halo Eyewash, plastic showerhead & bowl
<input type="checkbox"/> S19314P*	Halo Eyewash, plastic showerhead & bowl w/ hose spray
<input type="checkbox"/> S19314SB*	Halo Eyewash, plastic showerhead, stainless steel bowl
<input type="checkbox"/> S19314LL*	Halo Eyewash, plastic showerhead, stainless steel bowl, hand/foot activated
<input type="checkbox"/> S19314F*	Halo Eyewash, plastic showerhead w/ stainless steel shroud & bowl
<input type="checkbox"/> S19314UU*	Halo Eyewash, plastic showerhead w/ stainless steel shroud & bowl, hand/foot operated eyewash
<b>Eyewashes with Dust Cover</b>	
<input type="checkbox"/> S19314PDC*	Halo Eyewash, plastic showerhead & bowl w/ dust cover
<input type="checkbox"/> S19314DC*	Halo Eyewash, plastic showerhead, stainless steel bowl & hinged dust cover
<b>Eye-Face Washes</b>	
<input type="checkbox"/> S19314FW*	Halo Eye/face wash, plastic showerhead & bowl
<input type="checkbox"/> S19314SBFW*	Halo Eye/face wash, plastic showerhead, stainless steel bowl
<input type="checkbox"/> S19314AC*	Halo Eye/face wash, plastic showerhead, stainless steel bowl, hand/foot operated eyewash
<input type="checkbox"/> S19314TT*	Halo Eye/face wash, plastic showerhead w/ stainless steel shroud & bowl
<input type="checkbox"/> S19314SPR*	Halo Eye/face wash, stainless steel showerhead & bowl, hand/foot operated eyewash
<input type="checkbox"/> S19314BFBP*	Halo Eye/face wash, barrier-free, plastic showerhead & bowl
<input type="checkbox"/> S19314BF*	Halo Eye/face wash, barrier-free, plastic showerhead, stainless steel bowl
<b>Eye-Face Washes with Dust Covers</b>	
<input type="checkbox"/> S19314PDCFW*	Halo Eye/face wash, plastic showerhead & bowl w/ dust cover
<input type="checkbox"/> S19314DCFW*	Halo Eye/face wash, plastic showerhead, stainless steel bowl & hinged dust cover
<input type="checkbox"/> S19314DCBF*	Halo Eye/face wash, barrier-free, plastic showerhead, stainless steel bowl w/ dust cover
<b>Eye-Face Washes without Eyewash Bowl</b>	
<input type="checkbox"/> S19314GG*	Halo Eye/face wash, plastic showerhead, no bowl
<b>All Stainless Steel Eye-Face Wash</b>	
<input type="checkbox"/> S19314BFSS	Halo stainless steel eye/face wash and showerhead, barrier free
<input type="checkbox"/> S19314FSS	Halo stainless steel eye/face wash and showerhead
<input type="checkbox"/> S19314SC	Halo stainless steel eye/face wash, bowl, cover and showerhead
<input type="checkbox"/> S19314SS	Halo stainless steel eye/face wash and showerhead with foot activation
<input type="checkbox"/> S19314SS16	Halo 316 stainless steel eye/face wash and showerhead with foot activation

\* European models available. For European model number, add a Z to end of existing part number. For example, S19314EW will be S19314EWZ.

### Halo Configurator

**Standard Selections** (Must select one from each category)

**Configuration**

**A** Barrier Free ☺

**B** 24" Drain Height

**C** 24" Drain Height, Barrier Free ☺

**0** Standard, 6" Drain Height

---

**Pipe Material**

**A** NPT, Yellow BradTect Galvanized Steel

**B** NPT, All 304 Stainless Steel

**C** NPT, All 316 Stainless Steel\*

**D** NPT, Chrome-Plated

**F** BSP, Yellow BradTect Galvanized Steel‡

**G** BSP, All 304 Stainless Steel‡

**J** BSP, Chrome-Plated‡

---

**Ball Valve**

**1** Stay-Open Shower and Eyewash, Chrome-Plated Brass

**2** Stay-Open Shower and Eyewash, 316 SS

**3** Self-Closing Shower and Stay-Open Eyewash, Chrome-Plated Brass\*\*

---

**Showerhead**

**A** Plastic Showerhead

**B** Plastic Showerhead with Plastic Shroud

**C** Plastic Showerhead with Stainless Steel Shroud

**D** 304 SS High Performance Showerhead

**E** 316 SS High Performance Showerhead

---

**Eyewash – Eye/Face Wash**

**A** Halo Eyewash

**B** Halo Eye/Face Wash

**D** Halo Eyewash, 304 SS Yoke

**E** Halo Eye/Face Wash, 304 SS Yoke

**F** 304 SS Halo Eye/Face Wash, 304 SS Yoke

**G** Halo Eyewash, 316 SS Yoke

**H** Halo Eye/Face Wash, 316 SS Yoke

**J** 316 SS Halo Eye/Face Wash, 316 SS Yoke

**Bowl and Dust Cover**

**A** Plastic Bowl, No Dust Cover

**B** Plastic Bowl, Plastic Dust Cover

**D** 304 SS, No Dust Cover

**E** 304 SS, 304 SS Dust Cover

**F** 304 SS, Plastic Dust Cover

**G** 316 SS, No Dust Cover

**H** 316 SS, 316 SS Dust Cover

**J** 316 SS, Plastic Dust Cover

**0** No Bowl or Dust Cover

---

**Activation**

**A** 304 SS Handle

**B** 316 SS Handle

**C** 304 SS Handle with Aluminum Foot Pedal\*

**D** 304 SS Handle with Stainless Steel Foot Pedal\*

**E** 316 SS Handle with 316 Stainless Steel Foot Pedal\*

---

**Drench Hose and Backflow Prevention**

**A** Drench Hose Kit with Vacuum Breaker

**B** Drench Hose Kit with N9 Backflow Preventer

**C** Drench Hose Kit with 9D Backflow Preventer

**D** Drench Hose Kit without Backflow Preventer

**0** No Drench Hose and No Backflow Prevention

---

**Freeze and Scald Protection**

**N** Anti-Freeze Valve

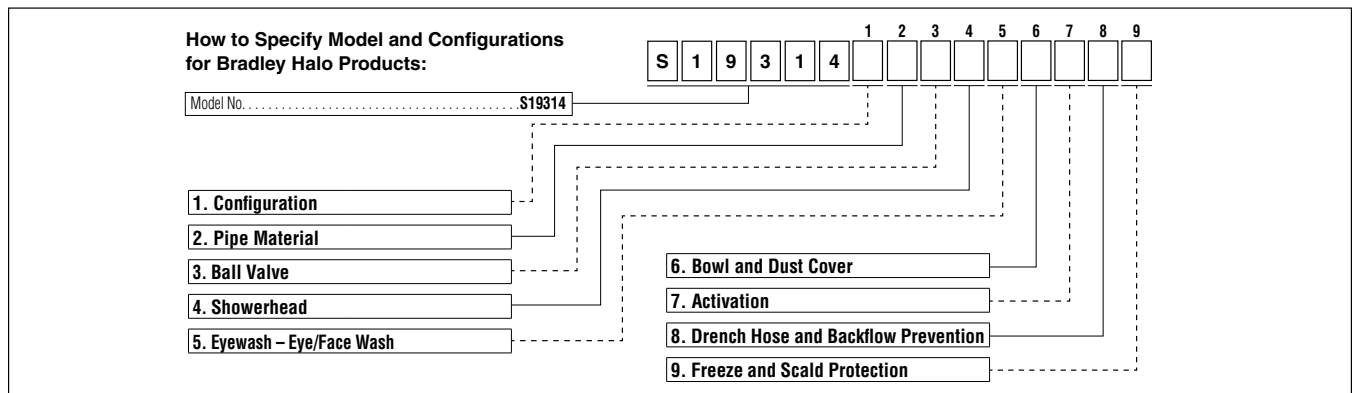
**P** Anti-Scald Valve

**R** Anti-Freeze and Anti-Scald Valves

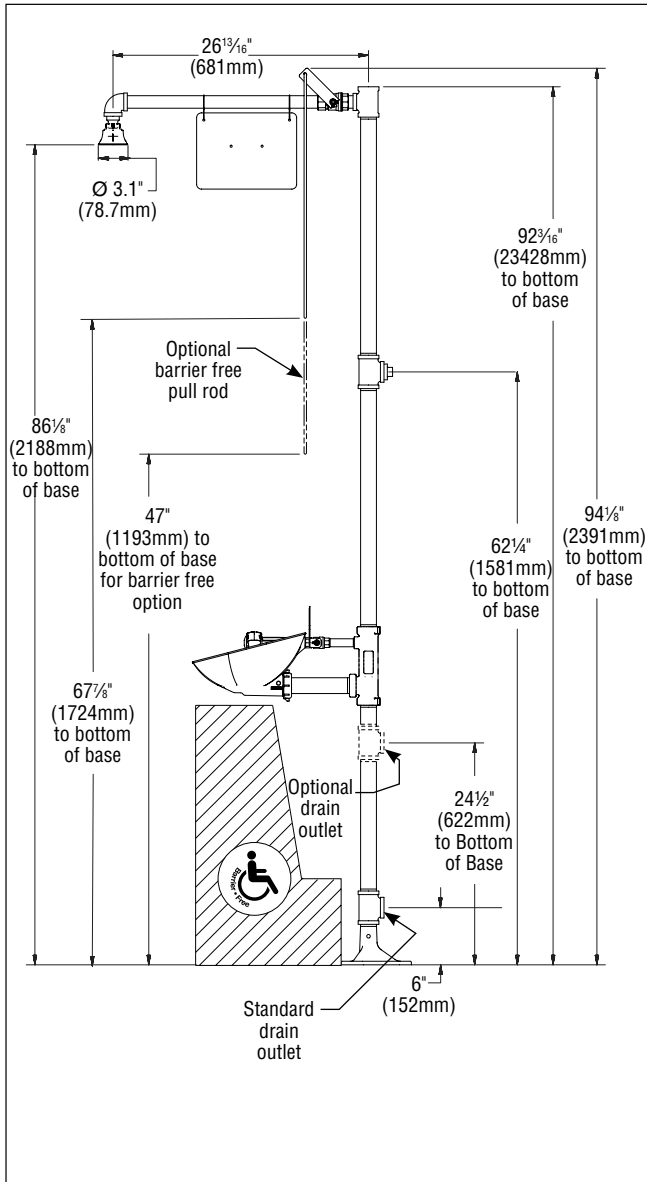
**0** No Anti-Freeze Valve and No Anti-Scald Valve

\* Not available with barrier-free configurations.  
 \*\* Self-closing valves are not ANSI Z358.1 compliant.  
 ‡ Not available in the U.S.

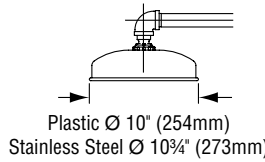
- NPT = National Pipe Thread**
- BSP = British Standard Pipe Thread**



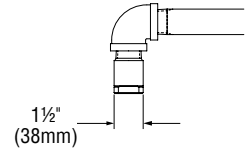
S19314 shown with Plastic Bowl and Showerhead



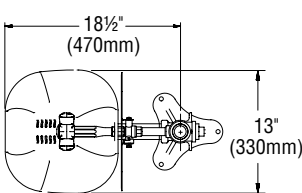
Plastic Showerhead with Plastic or Stainless Steel Shroud



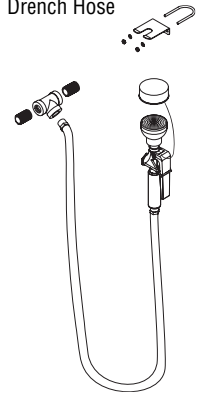
Type 304 and 316 Stainless Steel Showerheads



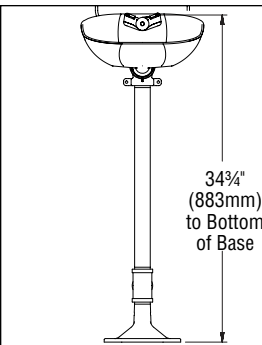
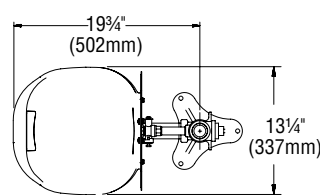
Eyewash Bowl



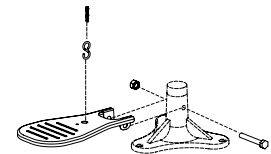
S19-430EH Drench Hose



Dust Cover



Foot Pedal Activation



All dimensions assume standard thread engagement. Variations in manufacturing allow for  $\pm 1/16"$  (3mm) per threaded joint. To find the tolerance of a dimension, add the number of thread joints across the length of the dimension and multiply it by  $1/16"$  (3mm).