

- Halo™ Delivers the Most Effective Eye/Face Washdown Coverage and Spray Pattern
- Exceeds American National Standard Z358.1 Specifications
- Durable, Ceramic Valve
- Precise 20° Swing-Down Activation
- Concealed Unit
- Water Collects Back Into the Cabinet's Internal Drain
- Designed to Mounted Between Standard 16" Wall Studs
- Chrome-Plated Brass on Exposed Pipe and Fittings
- Universal Identification Sign and Inspection Tag Included
- Halo Eye/Face Wash is Covered by the Following Patent: D662,220; D685,920. Other Patents Pending.

Specifications

Barrier-free design makes this eye/face wash fully accessible to people with physical disabilities. Unit design saves space and fits easily into any work environment. Stainless steel cabinet and door conceal eye/face wash with a consistent and appealing exterior appearance, suitable to any application. Especially ideal for areas where space is limited or where a floor drain is not available. Halo eye/face wash provides effective wash down coverage and spray pattern. Integral strainer reduces debris in the water and also prevents clogging. Eye/face wash activates by pulling the cabinet door down. A gas spring softens the action of opening the unit allowing the door to descend in a smooth and controlled manner. Water is collected by the door assembly and directed back into the wall for drainage. Safe, steady water flow under varying water supply conditions from 30-90 PSI is assured by integral flow control. New vandal resistant ceramic valve limits wear and tear on moving parts, providing dependability and long lasting performance. Unit is flush-mounted in the wall. An optional bottom-fed thermostatic mixing valve (S19-2000EFX) can be installed inside the maintenance compartment of S19294JB or the S19294JBT. The S19-2000EFX can be easily accessed through the maintenance door below the fixture.

Rough-Ins:

S19294JB and S19294JBT require a rough wall opening of 14½"W x 32¼"H x 6"D.

This plumbing fixture is not intended to dispense water for human consumption through drinking or for preparation of food or beverages.

Standard Equipment

Eye/Face Wash

The Halo eye/face wash system offers a high performance rinsing platform that provides rapid relief to an individual's eyes and face that have been injured by chemicals or particulate. This system provides the most complete face wash available in the market. The eye/face wash includes an integral 5.1 gpm flow control providing water at a safe velocity while maintaining its effectiveness (exceeds minimum water flow of 3.0 GPM at 30 PSI). Safe, steady water flow under varying water supply conditions from 30-90 PSI is assured by integral flow control in the sprayhead assembly.

Cabinet

Corrosion resistant stainless steel cabinet and doors. Top section of the door conceals the eye/face wash unit which is activated with a plastic molded wide grip handle. Bottom of cabinet conceals tailpiece and fittings, and is provided with a locking device to prevent tampering with the unit. Open back and side panels in the bottom section of cabinet to accommodate multiple waste options.

Valve

Ceramic ½" NPT stay-open valve. The ceramic discs provide a precise 20° activation and deactivation angle, minimizing excessive splashing when the unit is activated.

Pipe and Fittings

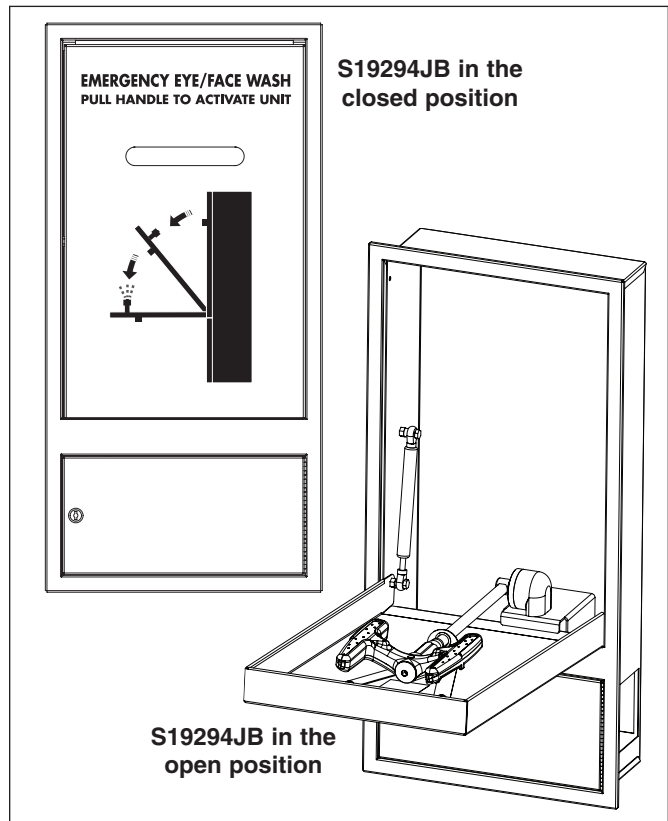
Chrome-plated brass.

Water Supply

½" NPT.

Waste

1¼" drain provided with tailpiece. P-trap waste option also available (S19294JBT).



Model	Description
<input type="checkbox"/> S19294JB	Barrier-Free Cabinet-Concealed Swing-Down Halo Eye/Face Wash Unit
<input type="checkbox"/> S19294JBT	Barrier-Free Cabinet-Concealed Swing-Down Halo Eye/Face Wash Unit with P-trap
<input type="checkbox"/> S19-2000EFX	Navigator EFX8 - Emergency Thermostatic Mixing Valve

Recommended Option:
 Navigator S19-2000EFX
 Emergency Thermostatic Mixing Valve

Satisfies ANSI Z358.1
 tepid water requirements.

S19294JB and S19294JBT

