

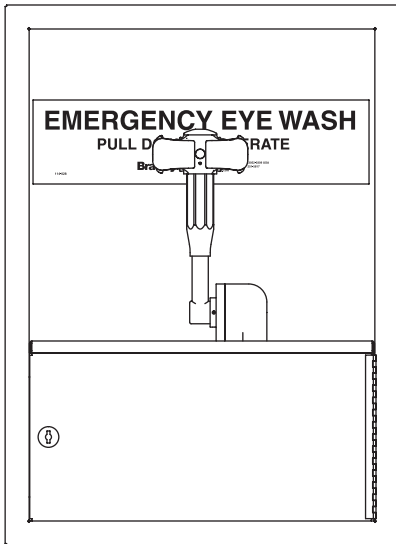
Installation

S19284H (Eyewash) S19284J (Eye/Face Wash)

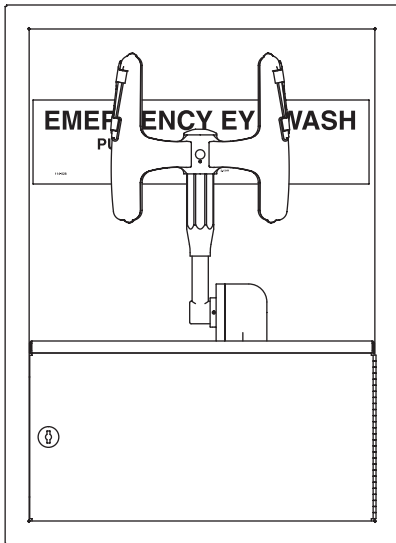
Cabinet-Mounted Swing-Down Eyewash and
Eye/Face Wash

Table of Contents

Pre-Installation Information	2
S19284H Dimensions	3
S19284J Dimensions	3
Installation	4
S19284H Assembly of Components	5
S19284J Assembly of Components	6
S19284H and S19284J Parts List	7

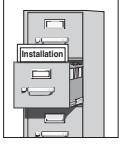


S19284H



S19284J

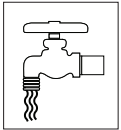
⚠ IMPORTANT ⚠



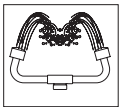
Read this installation manual completely to ensure proper installation, then file it with the owner or maintenance department. Compliance and conformity to drain requirements and other local codes and ordinances is the responsibility of the installer.



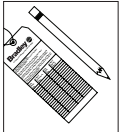
Separate parts from packaging and make sure all parts are accounted for before discarding any packaging material. If any parts are missing, do not begin installation until you obtain the missing parts.



Flush the water supply lines before beginning installation and after installation is complete. Test the unit for leaks and adequate water flow. Main water supply to the eyewash should be "ON" at all times. Provisions shall be made to prevent unauthorized shutoff.



The ANSI Z358.1 standard requires an uninterrupted supply of flushing fluid. Bradley plumbed emergency fixtures require a minimum of 30 PSI (0.21 MPa) flowing pressure. Flushing fluid should be tepid per ANSI Z358.1.



The inspection and testing results of this equipment should be recorded weekly to verify proper operation. This equipment should be inspected annually to ensure compliance with ANSI Z358.1.



Workers who may come in contact with potentially hazardous materials should be trained regarding the placement and proper operation of emergency equipment per ANSI Z358.1.



For questions regarding the operation/installation of this product, visit bradleycorp.com or call 800.BRADLEY (800.272.3539).

Product warranties may also be found under "Products" at bradleycorp.com.

Supplies Required:

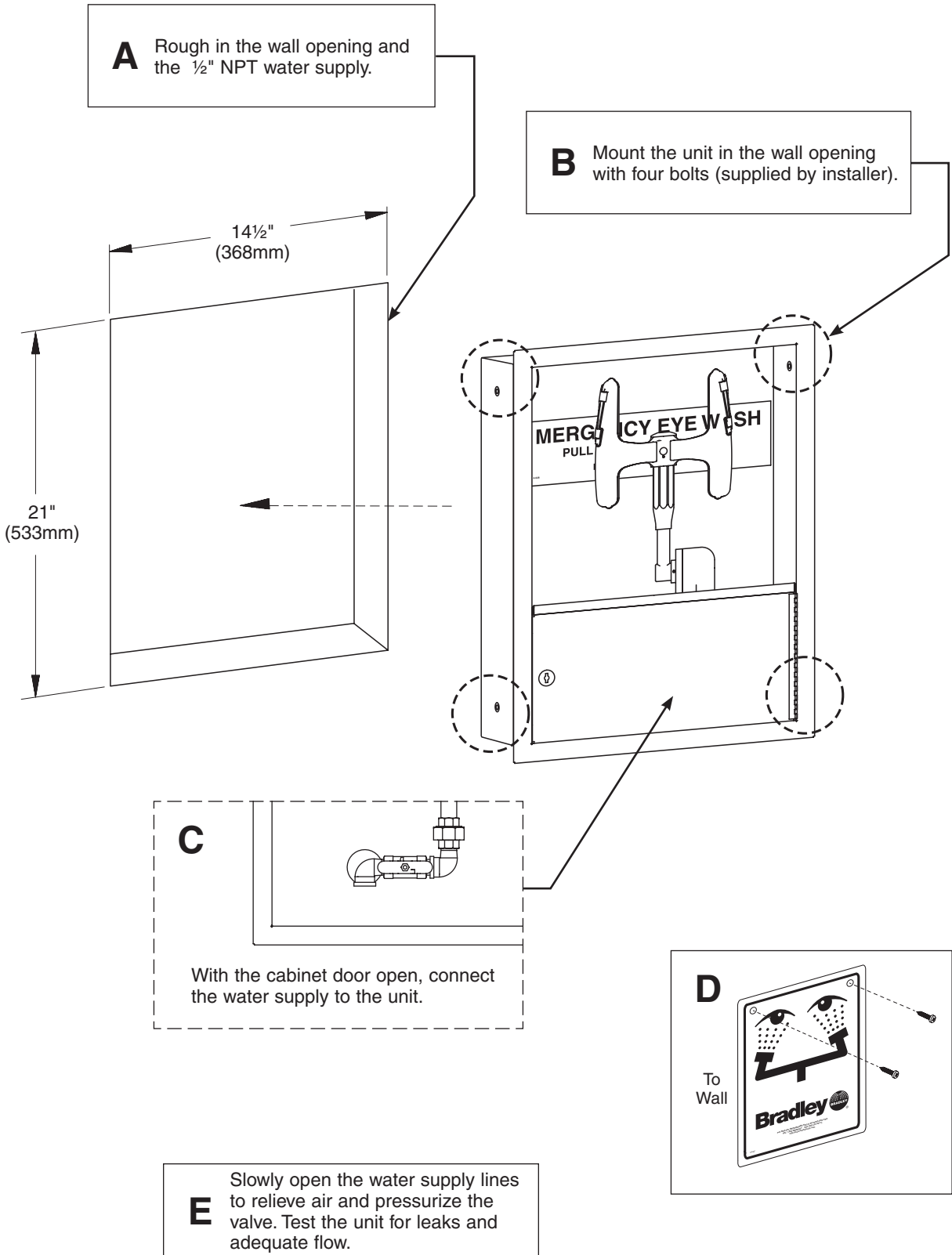
- Piping to ½" NPT water supply inlet on unit
- Bolts for cabinet mounting
- Pipe sealant
- Sign-mounting hardware



Local codes may require the installation of a backflow prevention valve to complete proper installation. Compliance with local codes is the responsibility of the installer. Valve must be tested annually to verify that it is functioning properly. Backflow prevention valves are not included with the fixture and may be supplied by the contractor or purchased from Bradley Corporation.

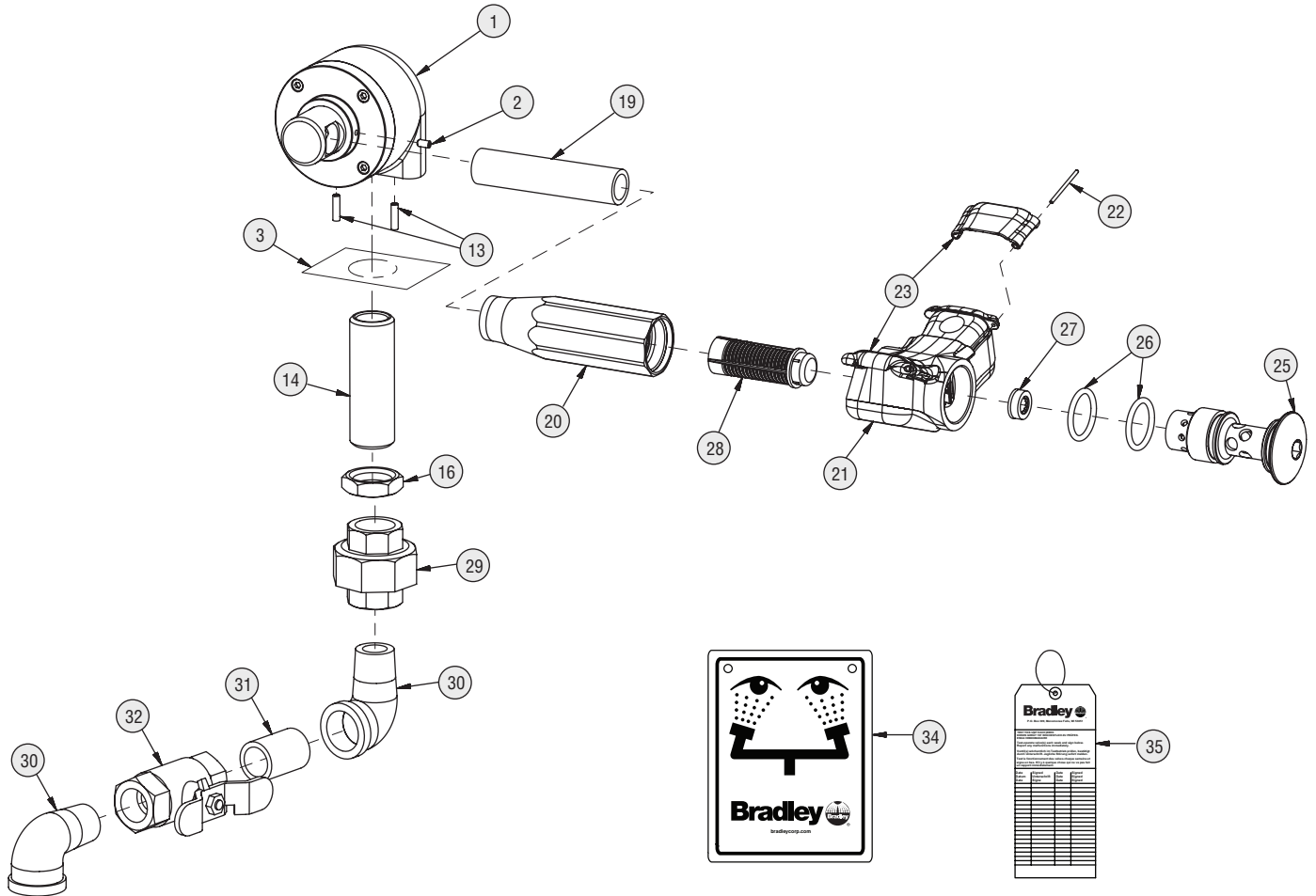
Installation

Halo eye/face wash unit is shown. Halo eyewash unit is similar.

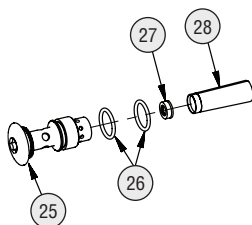


Assembly of Components — S19284H

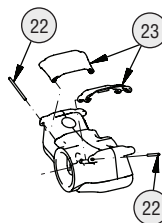
Shown in the "ON" position.



Prepack S65-339 includes items 26, 27, 28
Prepack S88-068 includes items 25, 26, 27, 28

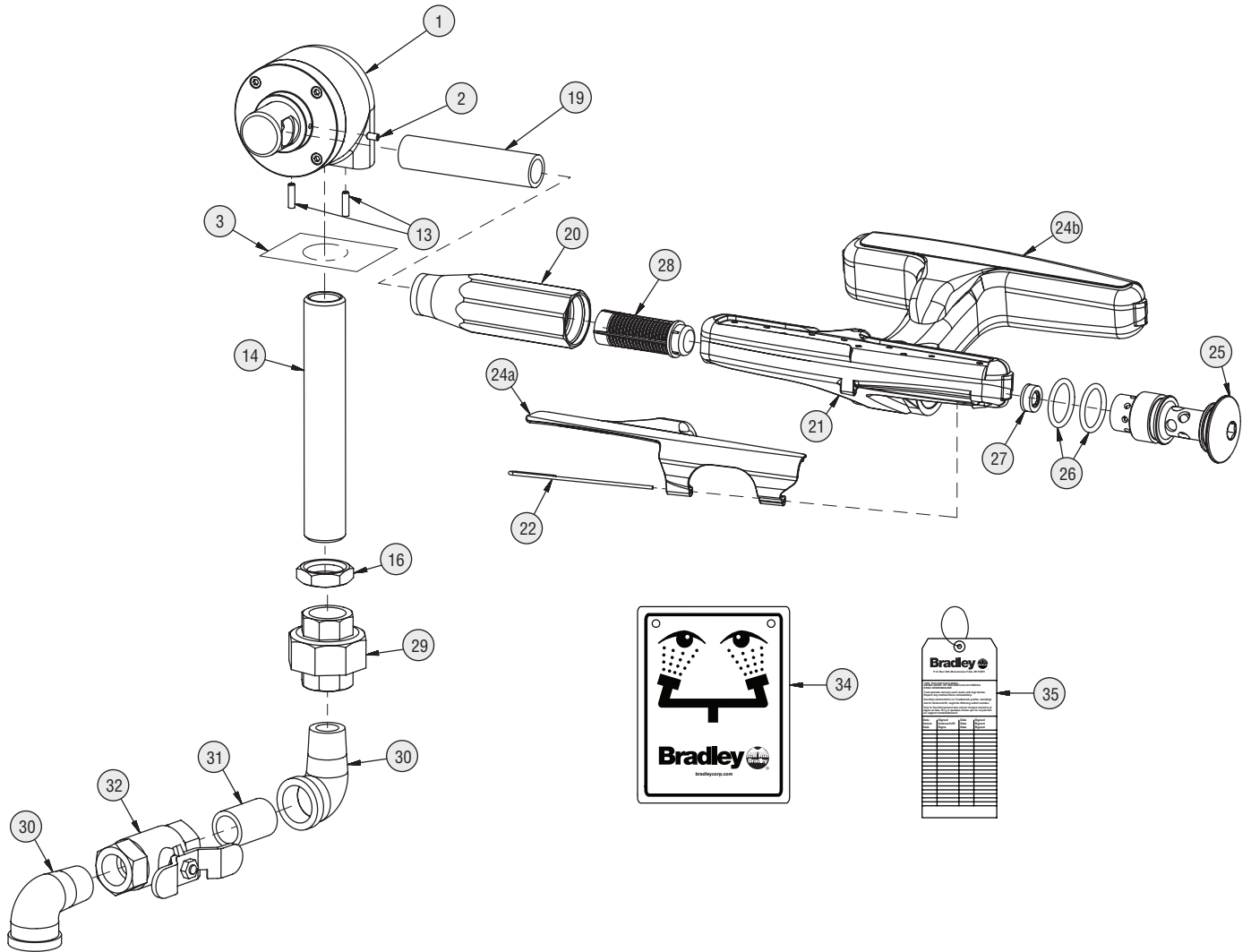


Eyewash Cover Prepack S45-2675 includes items 22 and 23

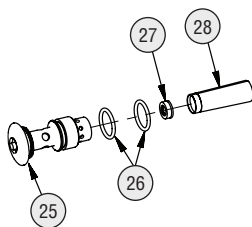


Assembly of Components — S19284J

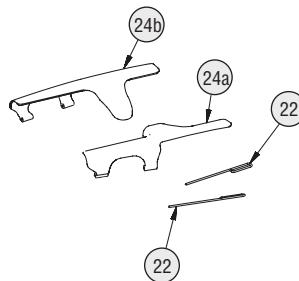
Shown in the "ON" position.



Prepack S65-339 includes items 26, 27, 28
 Prepack S88-068 includes items 25, 26, 27, 28



Eye/Face Wash Cover
 Prepack S45-2676 includes items 22, 24a and 24b



Parts List — S19284H

Item	Part No.	Qty	Description	Item	Part No.	Qty	Description
1	S65-386	1	Replacement Valve Ass'y, Swing-Down	25	115-158	1	Cap
2	160-473	1	Screw, Set	26	125-157	2	O-Ring
3	S39-811	1	Cabinet Assembly	27	125-175	1	Flow Control
13	160-474	2	Screw, Set	28	S65-340	1	Screen (incl. 3 per pack)
14	113-514	1	Shank, ½" x 2½"	29	169-348	1	Union
16	110-115	1	Nut, Brass ½"-14 NPSM	30	169-639	2	90° Street Elbow
19	113-1228	1	Pipe, ¾" x 2¾" Chrome Red Brass	31	113-006DH	1	Nipple, Close
20	171-006	1	Body, Mount ¾" NPT Female	32	S27-342	1	Stop Valve
21	S05-190	1	Sprayhead Ass'y Eyewash (includes)	34	114-051	1	Safety Sign
22	in service kit	2	Pivot Pin	35	204-421	1	Emergency Inspection Tag
23	in service kit	2	Flip Cover, Eyewash				

Valve Assembly with Eyewash S39-805STD includes Items 1, 2, 13, 14, 16, 19, 20, 21 (less flip covers and pivot pins), 25, 26, 27, 28. The sprayhead assembly in this kit does not include flip covers. Therefore, Service Kit S45-2675 must be ordered separately.

Parts List — S19284J

Item	Part No.	Qty	Description	Item	Part No.	Qty	Description
1	S65-386	1	Replacement Valve Ass'y, Swing-Down	24b	in service kit	1	Flip Cover, Left
2	160-473	1	Screw, Set	25	115-158	1	Cap
3	S39-811	1	Cabinet Assembly	26	125-157	2	O-Ring
13	160-474	2	Screw, Set	27	125-175	1	Flow Control
14	113-514	1	Shank, ½" x 2½"	28	S65-340	1	Screen (incl. 3 per pack)
16	110-115	1	Nut, Brass ½"-14 NPSM	29	169-348	1	Union
19	113-1228	1	Pipe, ¾" x 2¾" Chrome Red Brass	30	169-639	2	90° Street Elbow
20	171-006	1	Body, Mount ¾" NPT Female	31	113-006DH	1	Nipple, Close
21	S05-192	1	Sprayhead Ass'y Eye/Face Wash (incl.)	32	S27-342	1	Stop Valve
22	in service kit	2	Pivot Pin	34	114-051	1	Safety Sign
24a	in service kit	1	Flip Cover, Right	35	204-421	1	Emergency Inspection Tag

Valve Assembly with Eye/Face Wash S39-806STD includes Items 1, 2, 13, 14, 16, 19, 20, 21 (less flip covers and pivot pins), 25, 26, 27, 28. The sprayhead assembly in this kit does not include flip covers. Therefore, Service Kit S45-2676 must be ordered separately.