

**Model 4731-15 — Recessed *Bradex*<sup>®</sup>**

- Standard Series — Satin Finish
- Single End Compartment

## Product Materials

**FLANGE:** 22 gauge stainless steel with exposed surfaces in architectural satin finish. One-piece seamless construction, 1" wide with 1/4" return.

**CABINET:** heavy gauge stainless steel. All welded construction.

**PUSH FLAP DOOR:** 22 gauge stainless steel with exposed surfaces in architectural satin finish. Heavy-duty stainless steel piano hinge. Self-closing flap door.

**WASTE CONTAINER:** 22 gauge stainless steel with tumbler lock keyed like other Bradley units.

## Capacity

1.5 gal (0.2 cu. ft.)

## Operation

Waste container removable with finger grip. Furnished with waxed paper liner. Box of 500 waxed paper liners are available by ordering part number P11-022.

## Installation

Verify all rough-in dimensions prior to installation. Requires rough wall opening 11 3/8"W x 15 3/8"H x 4"D. Secure to framing with mounting screws (included) at holes provided. Shim at screw points as required.

## Guide Specification

Recessed napkin disposal shall be fabricated of stainless steel with exposed surfaces in satin finish. Self-closing push flap door secured by piano hinge. Removable stainless steel receptacle with tumbler lock.

**Overall dimensions: 12 3/4"W x 17 1/8"H x 4"D.**



## ADA Compliant

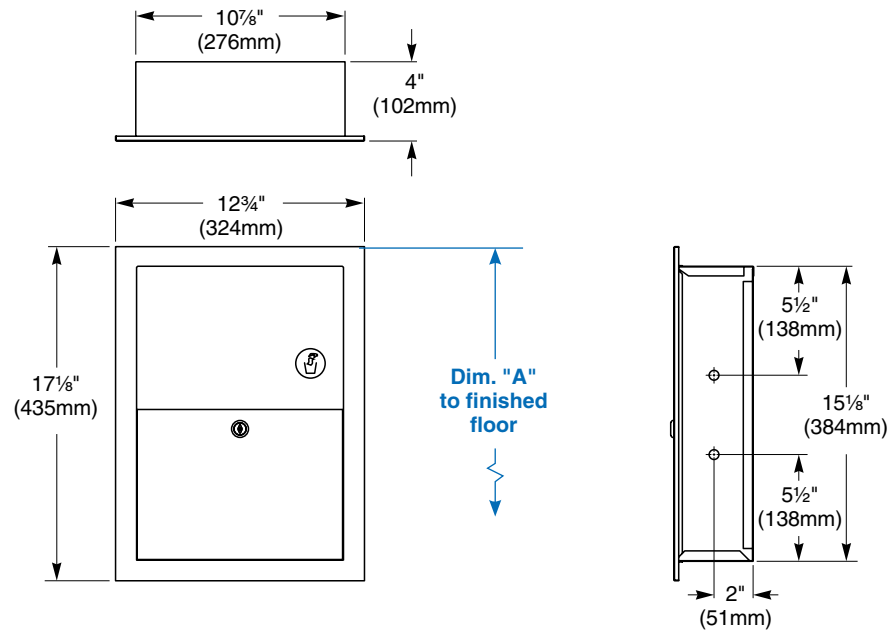
- Consult local and national accessibility codes for proper installation guidelines.
- Conformity and compliance to local and national codes is the responsibility of the installer.

Orders composed of products indicated as **Bradex**<sup>®</sup> will be available to ship in three days after receipt of order at the factory. There is no pricing penalty for this service from Bradley.

Page 1 of 2  
5/2/2012  
This information is subject to change without notice.  
Bradley\_WasteReceptacle\_4731-15

© 2014 Bradley  
P.O. Box 309, Menomonee Falls, WI 53052-0309  
800 BRADLEY (800 272 3539) +1 262 251 6000  
bradleycorp.com

**Dimensions**



<b>Dim. "A" Key Surface:</b>	For Dim. "A"	Top of Rough Wall Opening	Bottom of Rough Wall Opening
Top of door (6 1/4" door opening) to finished floor	48" (1219mm)	48" (1219mm)	32 5/8" (829mm)
	45" (1143mm)	45" (1143mm)	29 5/8" (752mm)
	42" (1067mm)	42" (1067mm)	26 5/8" (676mm)
	36" (914mm)	36" (914mm)	20 5/8" (524mm)
	33" (838mm)	33" (838mm)	17 5/8" (448mm)
<b>Rough wall opening:</b>			
Recessed:	11 3/8" (289mm) Wide x 15 3/8" (391mm) High x 4" (102mm) Deep		

Orders composed of products indicated as **Bradex**® will be available to ship in three days after receipt of order at the factory. There is no pricing penalty for this service from Bradley.