

- ☑ Model 9933 – 4 Hooks/3 Holders **Bradex**®
- ☑ Model 9934 – 5 Hooks/4 Holders

### Product Materials

**SHELF AND BRACKET:** 18 gauge stainless steel with exposed surfaces in architectural satin finish.

**HOOKS:** 14 gauge stainless steel

**HOLDERS:** spring-activated rubber cams on plated steel retainers. Will hold a mop or broom handle with a diameter between 5/8" and 1".

### Operation

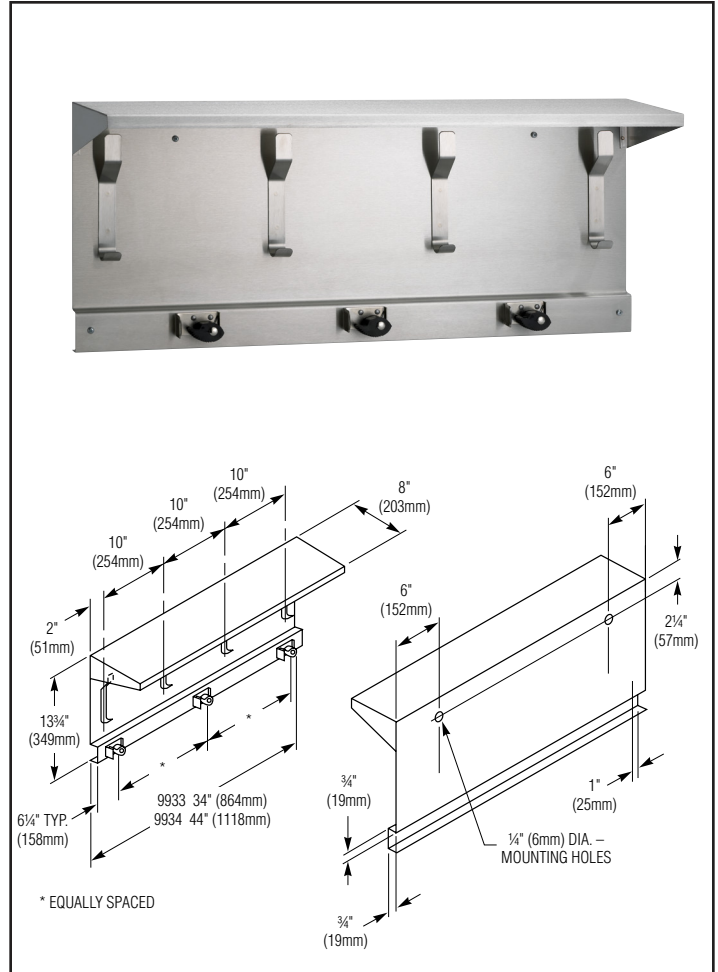
Weight of mop or broom holds handle in place.

### Installation

Verify all rough-in dimensions prior to installation. Secure to wall with mounting screws (included) at holes provided.

### Guide Specification

Surface mounted utility shelf shall be fabricated of 18 gauge stainless steel in satin finish. Hooks shall be of 14 gauge stainless steel. Holders shall be with spring-activated rubber cams.



Orders composed of products indicated as **Bradex**® will be available to ship in three days after receipt of order at the factory. There is no pricing penalty for this service from Bradley.