

### Model 594 — Partition-Mounted

- Serves Two Compartments
- Dual Roll Tissue Dispenser/Waste Receptacle

### Product Materials

**CABINET:** 22 gauge stainless steel with exposed surfaces in architectural satin finish. Welded construction with burr-free edges.

**FLANGE:** 22 gauge stainless steel with exposed surfaces in architectural satin finish. One-piece seamless construction, 1" wide with ¼" return.

**DOOR:** 18 gauge stainless steel with full-length piano hinge and tumbler lock keyed like other Bradley units.

**PUSH FLAP DOOR:** 22 gauge stainless steel with exposed surfaces in architectural satin finish. Self-closing, with heavy-duty stainless steel piano hinge.

**WASTE RECEPTACLE:** leakproof molded plastic. 1.0 gal. capacity.

**SPINDLE:** polyethylene, non-removable by user.

### Capacity

Toilet Tissue Dispensers—Four standard core toilet tissue rolls through 5¼" in diameter. Box of 500 waxed paper liners are available by ordering part number P11-022.

### Operation

Hinged access door permits servicing of components from one side.

### Installation

Verify all rough-in dimensions prior to installation. Requires partition opening 15¾"W x 18¼"H. Location of hole and dimensions should be noted in partition specifications. Flanges adjustable for partitions from ¾" to 2¾" thick. Remove one flange and install cabinet in partition opening flush against partition. Position flanges on both sides of cabinet and secure with mounting screws (included) at holes provided.

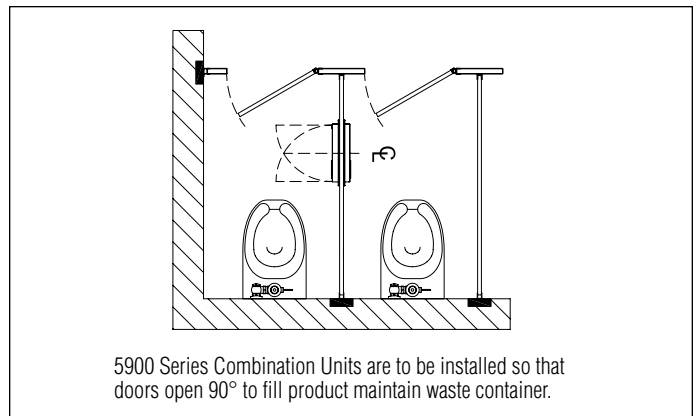
### Guide Specification

Partition-mounted combination unit shall include toilet tissue dispenser and napkin disposal, and be fabricated of stainless steel with seamless exposed surfaces in satin finish. Door and back panel shall be 18 gauge. Door shall have piano hinge and tumbler lock.

**Overall dimensions: 17½"W x 20"H x 4½"D.**



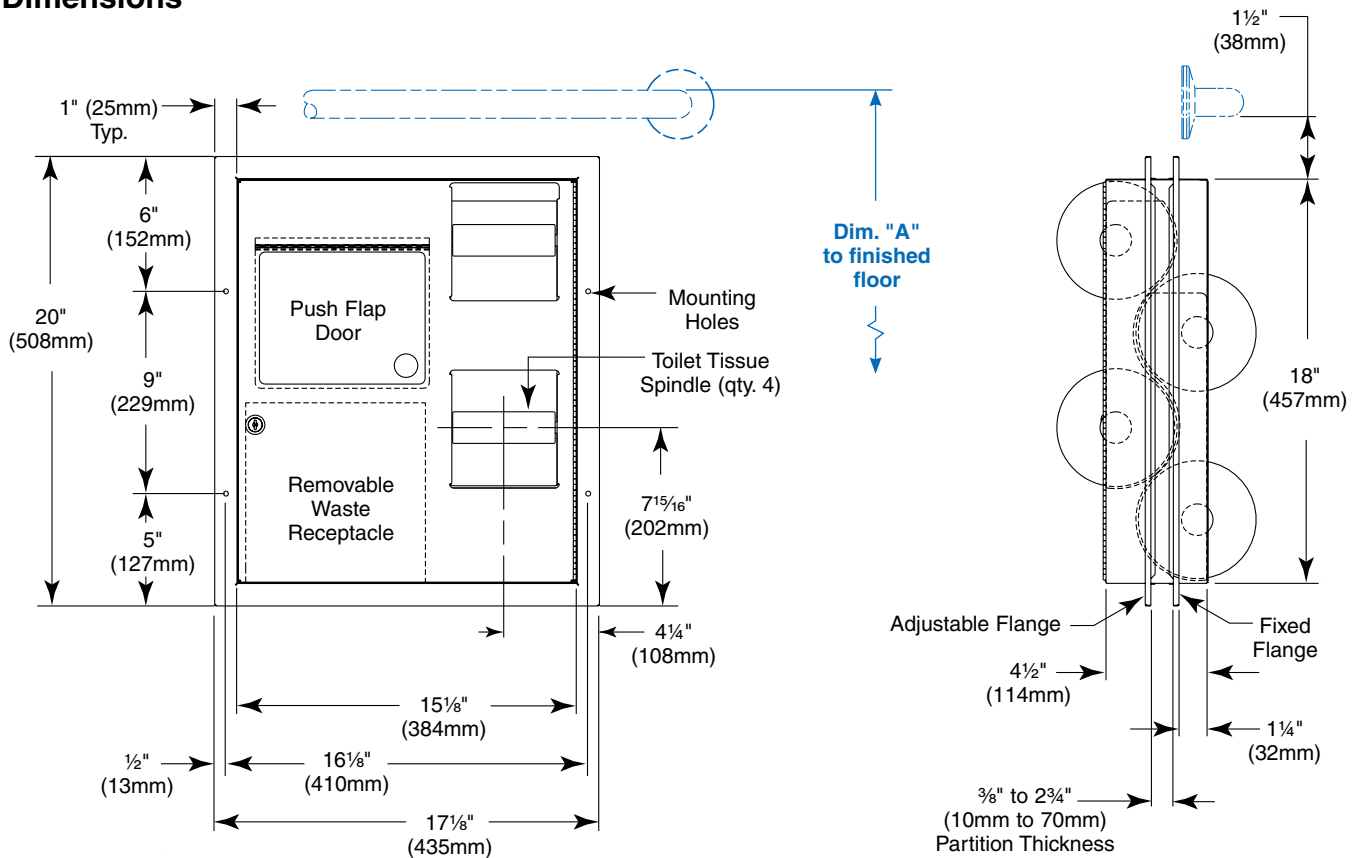
Hinged Side



### ADA Compliant

- Consult local and national accessibility codes for proper installation guidelines.
- Conformity and compliance to local and national codes is the responsibility of the installer.

### Dimensions



Grab bars must be ordered separately. To learn more about Bradley's wide variety of grab bar configurations, visit [bradleycorp.com](http://bradleycorp.com).

Dim. "A" Key Surface:	For Dim. "A"	Top of Rough Wall Opening	Bottom of Rough Wall Opening	For Bottom Toilet Paper Opening Lower Lip @ Dim. "A"
Top of 1 1/2" grab bar (installed with 1 1/2" clearance) to finished floor	Not Applicable	37" (940mm)	18 3/4" (476mm)	19" (483mm)
	36" (914mm)	33" (838mm)	14 3/4" (375mm)	15" (381mm)
<b>Rough wall opening:</b>				
Partition-Mount:	15 3/8" (391mm) Wide x 18 1/4" (464mm) High x Partition Thickness			