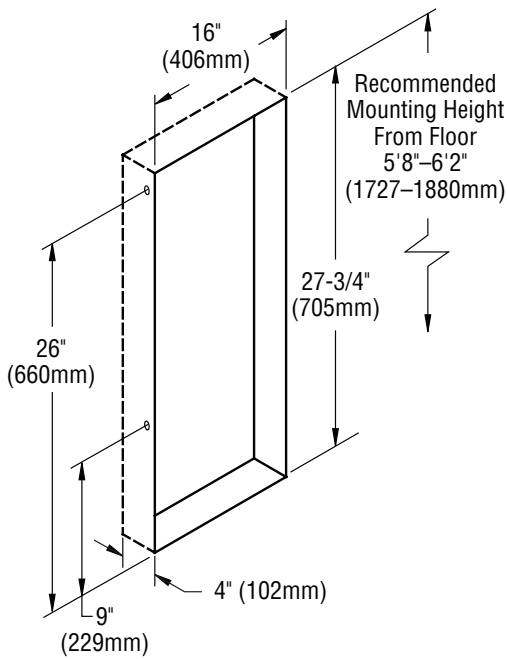


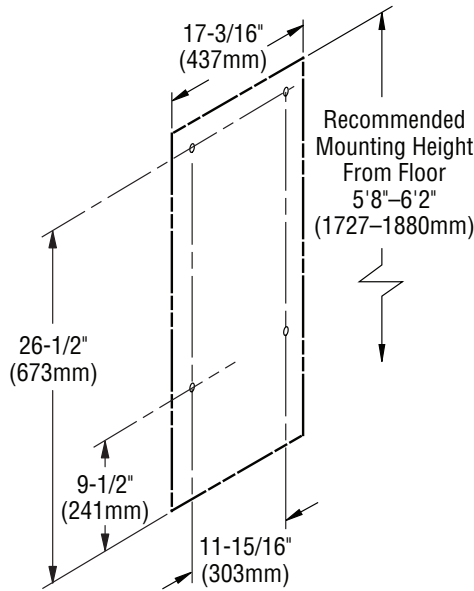
# Installation

Model 4A20/4A20-11

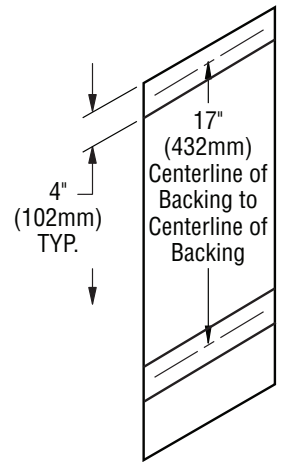
## Recessed



## Surface-Mounted

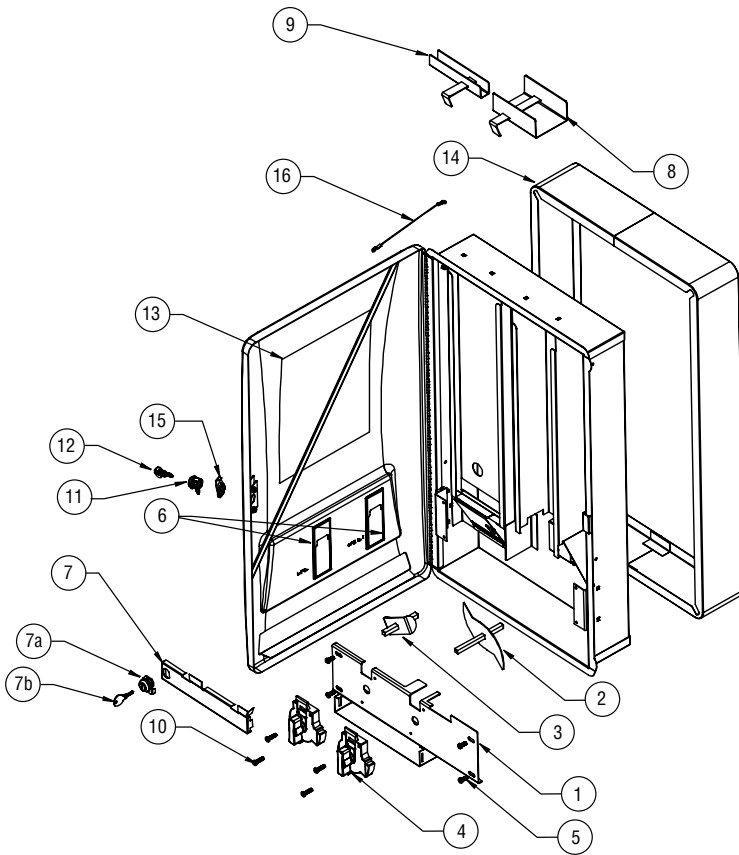


## Wall Mounting with In-Wall Backing



Additional information may be found on our Web site at [bradleycorp.com](http://bradleycorp.com)

# Service Parts



ITEM	PART NO.	DESCRIPTION
1	A18-046	Coin Metal Plate Assembly
2	A18-076	Napkin Cam
3	A18-075	Tampon Cam
4	P10-727 P10-728 P10-729 P10-730 P10-731 P10-732	Free Coin Mechanism 10¢ Coin Mechanism 25¢ Coin Mechanism 50¢ Coin Mechanism \$1 Coin Mechanism € .50 Coin Mechanism
5	P18-051	Screw for Coin Mechanism
6	P20-034 P20-036 P20-037 P20-078 P20-117 P20-180	Free Label for Coin Mechanism 10¢ Label for Coin Mechanism 25¢ Label for Coin Mechanism 50¢ Label for Coin Mechanism \$1 Label for Coin Mechanism € .50 Label for Coin Mechanism
7	A18-037	Coin Box Cover w/Lock & Key
7a	P10-519	Lock/Cam for Coin Box
7b	P10-548	Key for Coin Box
8	A18-074	Napkin Weight
9	A18-073	Tampon Weight
10	P18-125	Screw #10-32 x 3/4"
11	P15-465	Lock for Door
12	P15-398	Key for Door
13	P20-192	Installation Instructions
14	A11-049	Surface-Mounted Collar Assy.
15	P18-119	3/4" Hex Nut
16	P10-726	Wire Lanyard

## Operation

### To Load Napkins or Tampons

1. Remove napkin or tampon weight from the guide.
2. Insert products into each channel.
3. Replace weight on top of product.

### To Dispense Napkin or Tampon

1. Insert coin in coin slot, turn handle clockwise and release. When all products have been dispensed, the weight actuates the "EMPTY" indicator which blocks coin slot and prevents another coin from being inserted.

**NOTE:** For best vendor operating performance, product packages must meet the following size requirements: Napkins - 3" x 4-1/4" x 1"; Tampons - 5-1/8" long x 3/4" diameter tubes. Contact your local sanitary supply distributor to purchase product.

## Maintenance

### If Vendor Fails to Operate Properly

Make sure that:

1. Vendor is loaded with correct size napkins and tampons.
2. Damaged napkins or tampons are not jamming mechanism.
3. Weights are in place on top of napkins and tampons.
4. Napkin cam is properly installed so that cam rotates clockwise.
5. Coin box is not full.

### To Replace or Convert Coin Mechanisms

1. Order new coin mechanism by part number for coin denomination desired (see above).
2. Remove existing coin mechanism by unfastening two screws. Save Screws.
3. Install new coin mechanism with two screws. **NOTE:** Make sure tampon cam is properly installed with top of cam at "2 o'clock" position.