

INSTRUCTIONS FOR INSTALLATION AND MAINTENANCE

Bobrick Model B-40 and B-42 Soap Dispensers

HOW TO DISASSEMBLE THE DISPENSER:

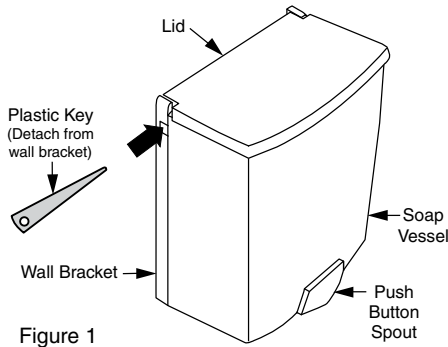


Figure 1

1. Break off the plastic key from the wall bracket (see Figure 3). Using this key, push the concealed sliding latch located in the small slot at the upper left side of the wall bracket. The lid will automatically pop forward.

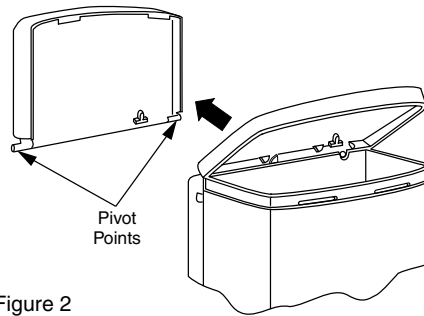


Figure 2

2. Remove the lid by swinging it up to the full vertical (open) position, then sliding it directly back off the wall bracket.

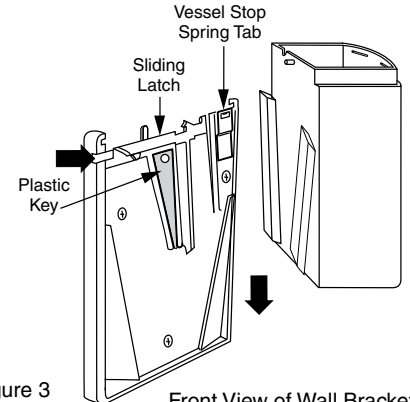


Figure 3

Front View of Wall Bracket

3. While pushing in again on the concealed sliding latch and pushing back on the vessel stop, spring tab, slide the wall bracket down to separate it from the soap vessel.

HOW TO INSTALL THE DISPENSER:

Lavatories: Locate Model B-40 or B-42 dispenser so the push button spout will be over the lavatory. Allow a minimum 4" (100mm) clearance between top of dispenser and bottom of any shelf, cabinet, or other horizontal projection to provide enough space to fully open the lid and fill dispenser.

Showers: Soap dispenser may also be installed in showers to dispense liquid body soaps.

How To Mount The Wall Bracket:

Provide (3) #10 x 1½" (M5 x 38mm) mounting screws. Use the wall bracket as a template to mark the mounting hole locations on the wall. Remove the wall bracket, then drill (3) mounting holes. Finally, secure the wall bracket in place with the mounting screws.

The surface on which the unit is to be mounted determines the specific type of mounting required for best installation:

For plaster or dry wall on studs, provide concealed backing and secure wall bracket with screws. Backing must comply with local building codes.

For hollow tile partitions and other instances where applicable, provide 1/8" (3mm) round-head toggle bolts.

For brick, concrete, or solid tile walls, provide #10 (4.8mm) fiber plugs or expansion shields and mounting screws, or provide 1/8" (3mm) cinch bolts or expansion bolts.

For mirrors or glass surfaces, use the pressure-sensitive tape strips provided. Do not use the tape for other types of wall surfaces. Clean any dirt, dust, or oils from the surface and back of wall bracket. Apply the tape within the outlined areas on the back of the wall bracket. Press the wall bracket to the wall. Allow the tape to set for 24 hours before mounting the soap vessel.

How To Mount The Soap Vessel:

1. Hold the lid vertical and slide its two pivot points (see Figure 2) into the upper left and right slots of the wall bracket. A click sound will be heard when the lid is properly in place.
2. With the lid still in the vertical (open) position, slide the soap vessel down into the wall bracket's V-shaped groove. Both sides must engage. **IMPORTANT:** *The bottom of the soap vessel must be aligned with the bottom of the wall bracket in order for the latch mechanism to function.*
3. Fill the soap vessel with liquid soap, lotion, or synthetic detergent.
4. Swing the lid down and push it toward the wall. A click sound will confirm that the lid is locked.

HOW TO REFILL THE SOAP VESSEL:

1. Using the plastic key, push the concealed sliding latch as shown in Figure 1. The lid will automatically pop forward.
2. **Swing the lid up and fill the vessel with commercially marketed all-purpose hand soaps including liquid and lotion soaps, synthetic detergents, and antibacterial soaps containing PCMX and / or Triclosan. Bobrick soap dispensers are not designed to dispense alcohol-based sanitizers or iodine-based surgical soaps.**
3. Swing the lid down and push it toward the wall. A click sound confirms that the lid is locked.

PARTS LIST

4188-5 Lid for B-40
42-5 Lid for B-42

MAINTENANCE:

1. Warm water mixed with soap from dispenser is the best cleaning solution for all B-40 or B-42 dispenser parts. Pump warm water through the vessel and valve periodically to flush out any contaminants or dried soap residue. **NEVER USE ABRASIVE CLEANERS.**
2. Periodically give the dispenser an overall cleaning. Remove the soap vessel by pushing back on the vessel stop spring tab and sliding it up off the wall bracket while the lid is open. The lid can then be removed after removing the soap vessel. Always replace the lid before mounting the soap vessel onto the wall bracket.
3. Do not disassemble the valve. **NOTE:** *If for any reason the valve becomes nonfunctional or the soap vessel is damaged, a new, complete soap vessel assembly must be ordered.*



BUILDING VALUE SINCE 1906

©2015 by Bobrick Washroom Equipment, Inc.
Form No. 40-369 r06/30/15 Printed in U.S.A.



In the U.S.A.: BOBRICK WASHROOM EQUIPMENT, INC.

200 Commerce Drive, Clifton Park, New York 12065-1350
• Tel: (518) 877-7444 • FAX: 518-877-5029
6901 Tujung Avenue, North Hollywood, California 91605-5882
• Tel: (818) 982-9600 • FAX: 818-503-1102
or email: customerservice@bobrick.com

In Canada: BOBRICK WASHROOM EQUIPMENT COMPANY

• 45 Rolark Drive, Scarborough, Ontario M1R 3B1
FAX: (877) 423-8555