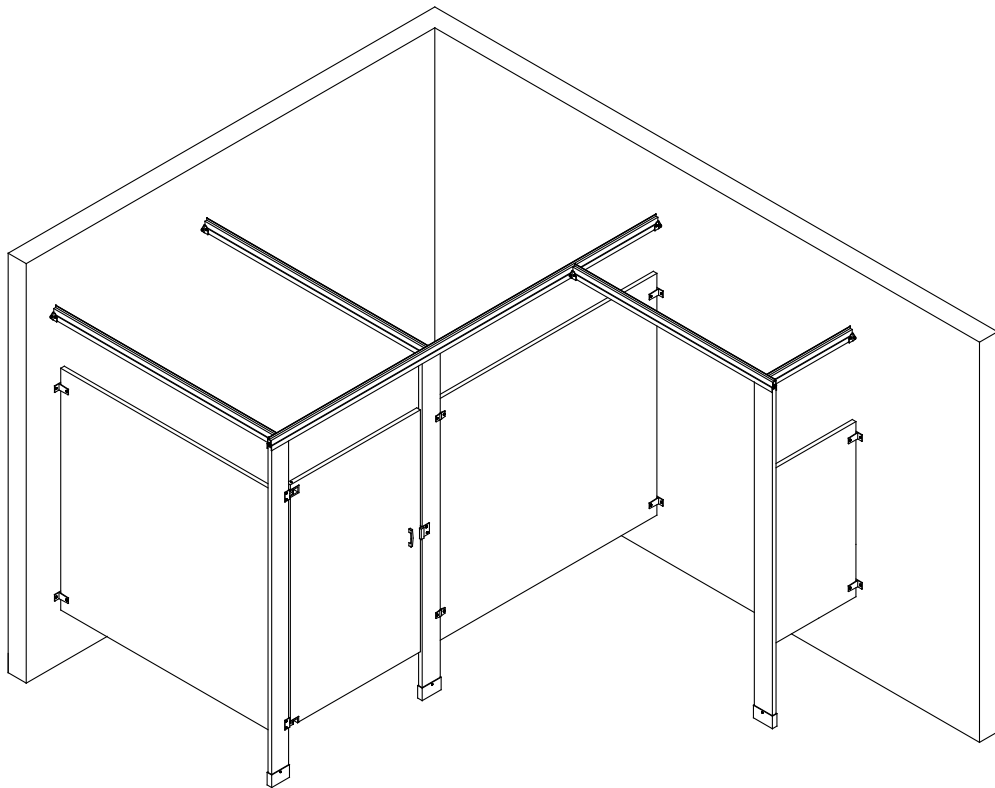




Installation Instructions

AMPCO Stainless Steel and Baked Enamel Toilet Partitions



AMPCO Florida
11400 NW 36th Avenue
Miami, FL 33167
T. 305.821.5700
florida@ampco.com

AMPCO Texas
201 Railroad Avenue
Sanger, TX 76266
T. 940.458.7401
texas@ampco.com

AMPCO Washington
4520 B Street NW, Suite B
Auburn, WA 98001
T. 852.253.5900
washington@ampco.com



**Stainless Steel & Baked Enamel
Installation Instructions**

Before you begin, please note the following considerations:

Safety First! Please use proper safety gear when performing any installation.

Review all jobsite conditions for any compromises of safety and report all concerns to project superintendents.

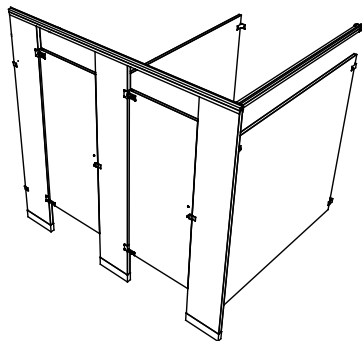
Verify that adequate blocking has been installed behind all walls for bracket attachments.

Shop drawings provided will supply all compartment material type, hardware supplied, construction type, compartment widths, depths, ceiling heights, individual component sizes.

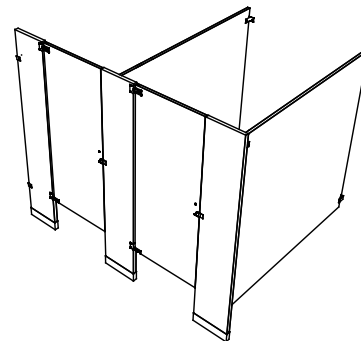
You will need the shop drawings to determine centerline dimensions and drilling locations.

Upon receipt of material and shake out, be certain that all items indicated on the hardware packing list and job list are included.

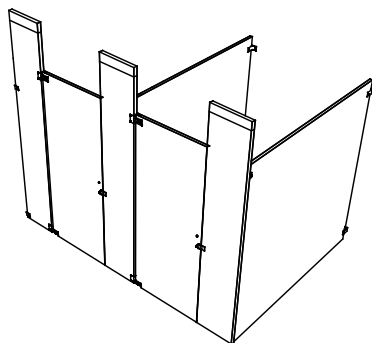
Be sure to review Storage and Handling instructions enclosed for proper storage of this material.



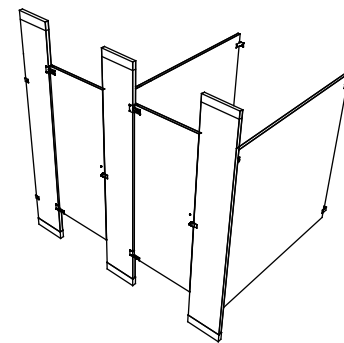
OVERHEAD BRACED



FLOOR MOUNTED



CEILING HUNG



FLOOR TO CEILING



Storage and Handling

STORE ALL MATERIAL FLAT OR ON PALLET AS PACKAGED, ON A LEVEL ELEVATED SURFACE ABOVE FLOOR OR DECK.

NEVER STORE PANELS VERTICALLY ON THE ENDS OR SIDES ON FLOOR.

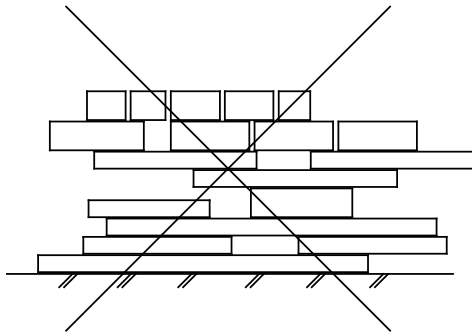
NEVER STORE MATERIAL ON EDGE OR LEANING AGAINST A WALL.

STORE ALL LARGER SIZE PIECES ON BOTTOM WITH SMALLER SIZE PIECES ON TOP TO PREVENT ANY OVERHANGING OR SAGGING AROUND EDGES.

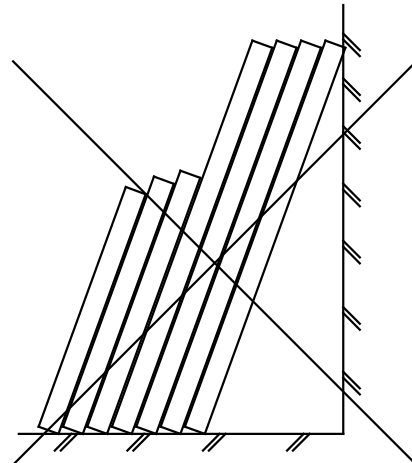
STORE IN A DRY CLEAN ENVIRONMENT WITH RELATIVE HUMIDITY BETWEEN 30% AND 60%.

DO NOT SLIDE FACE OF ONE PIECE ON THE FACE OF ANOTHER.

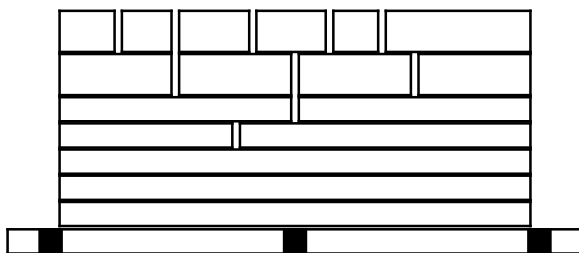
WRONG WAY



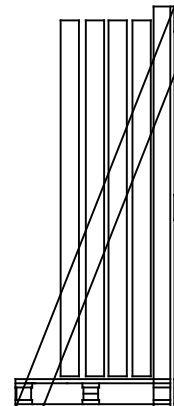
WRONG WAY



CORRECT WAY



CORRECT WAY

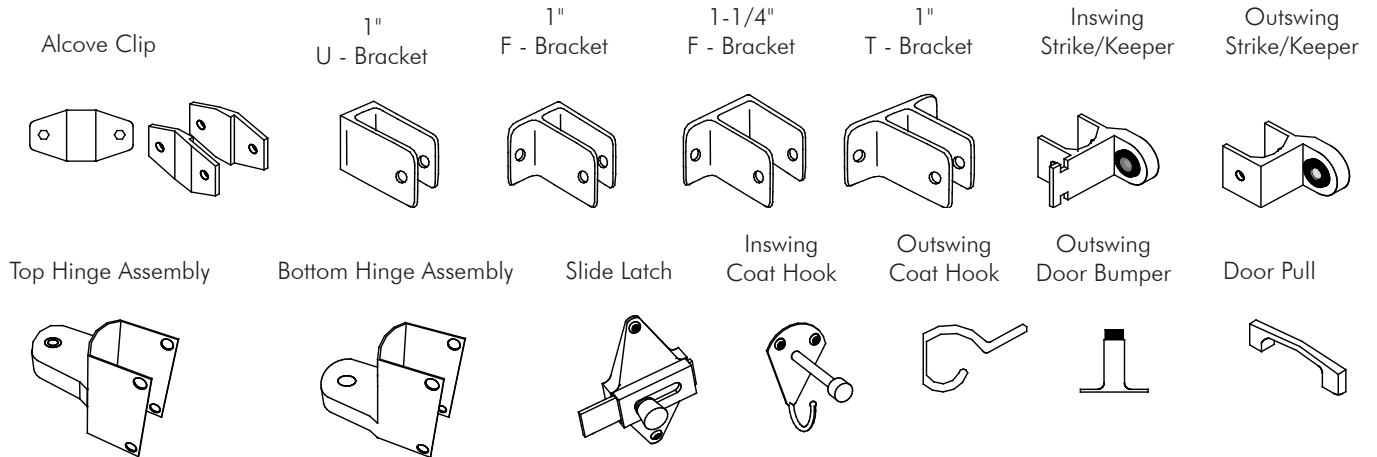




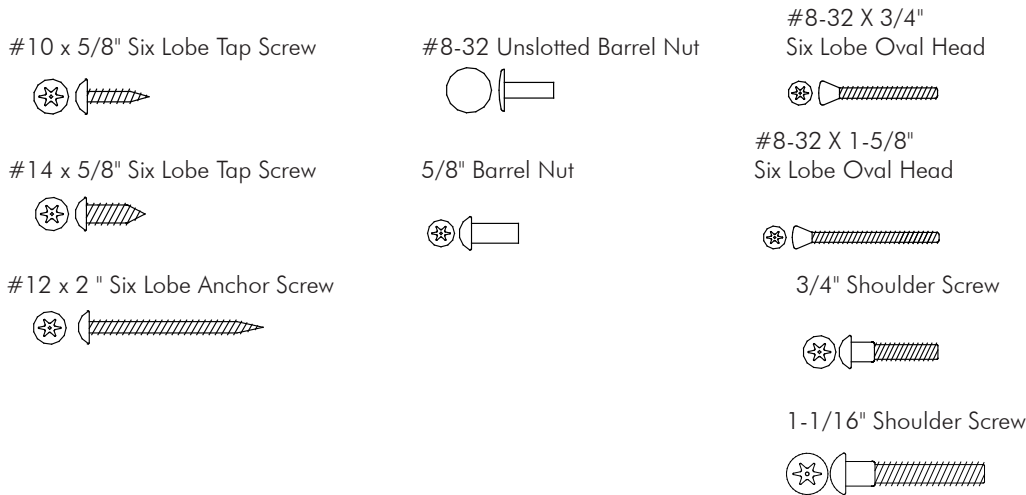
Recommended Tools

Safety Glasses, Chalk Line, Level, Drill, Center Punch, Screw Drivers, Shims, 12" Support For Panel Installation, (2) 14MM Wrenches, Hammer, Hack Saw, T20 & T27 Security Bits (Included)

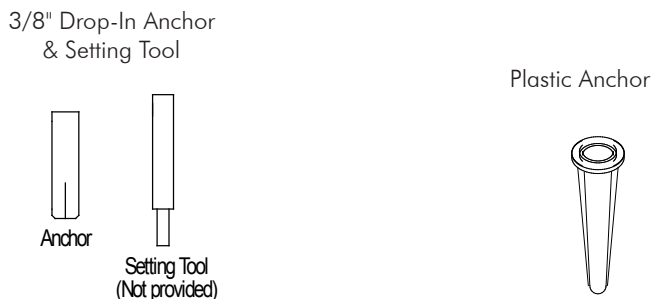
Standard Hardware



Fasteners



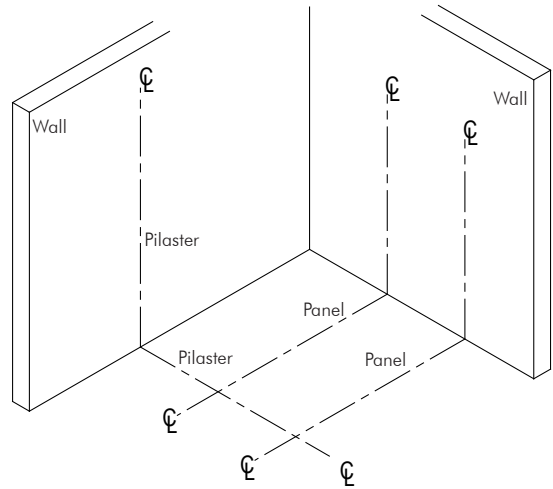
Anchors





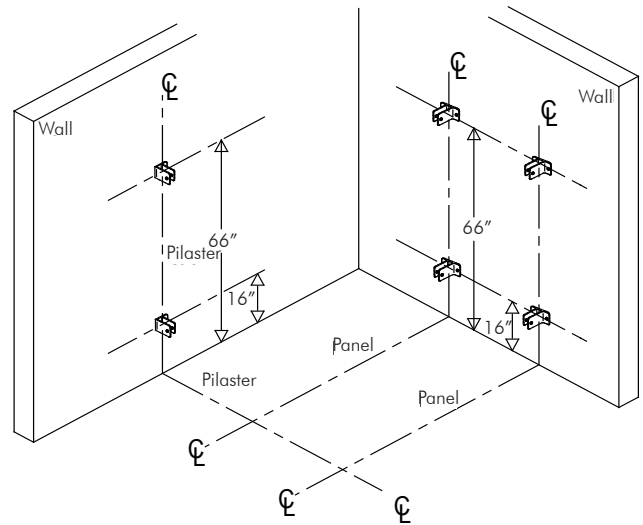
Step 1 - Centerlines

- Using shop drawings provided, review layout to verify panel and pilaster positions.
- Determine and mark panel centerlines on floor and walls.
- Determine and mark pilaster center lines on floor and walls and also on ceiling if ceiling connection is required.
- Using a chalk line, snap all centerlines as marked on walls and floor, also on ceiling if ceiling connection is required, as determined by compartment style.



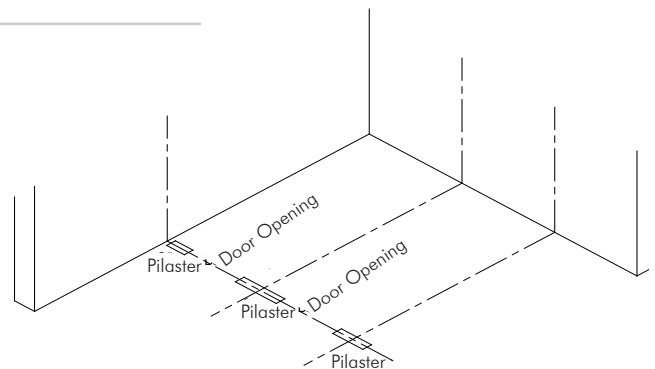
Step 2 - Wall Brackets

- The height of the wall brackets are shown on the elevation page of the shop drawings and also in this step.
- Using the wall brackets as a template mark the hole positions for mounting.
- For hollow walls, wood blocking must be inside walls to receive wall screws.
- For masonry walls use a 1/4" drill bit to drill holes 2" deep and insert plastic wall anchors provided.
- Use #12 x 2" anchor screws to secure brackets to walls.



Step 3 - Pilaster Location

- Using the shop drawings as a reference, mark the foot print of pilaster positions on the floor. If compartments are ceiling hung, perform this step on ceiling. Be sure to make correct allowances for the wall gaps and door openings.
- Using the pilaster anchoring details in step 4, proceed to install required floor &/or ceiling anchors for pilasters.

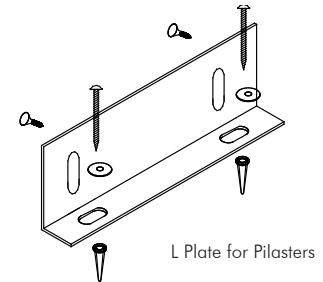




Step 4 - Pilaster Anchor

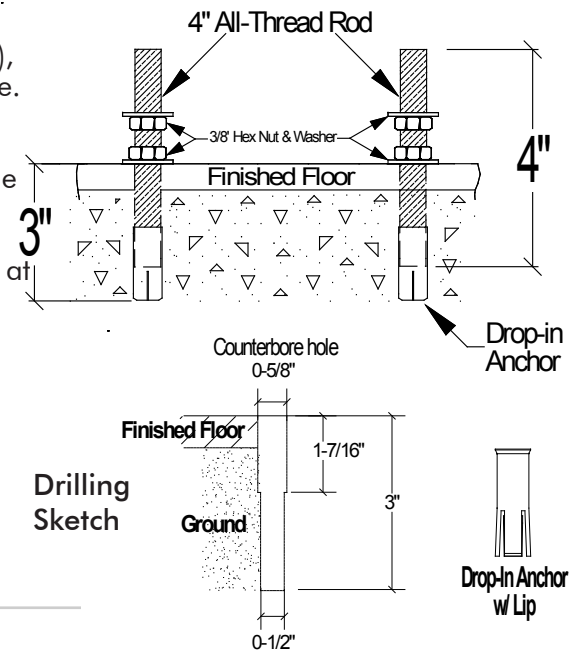
4a) L-Plate Floor & Ceiling Anchoring System

- Using location of the pilaster on the floor (as determined in step 3) as a reference, use L-plate as a template to mark and drill two 1/4" holes in the floor 2" deep.
- With vertical section facing inside of compartment, mount L-plate to the floor using two plastic anchors, 3/8" flat washers and #12 x 2" anchor screws located in the HW31 screw pack.
- For floor to ceiling construction, repeat the same as above on ceiling, if L-plates are specified per shop drawings.



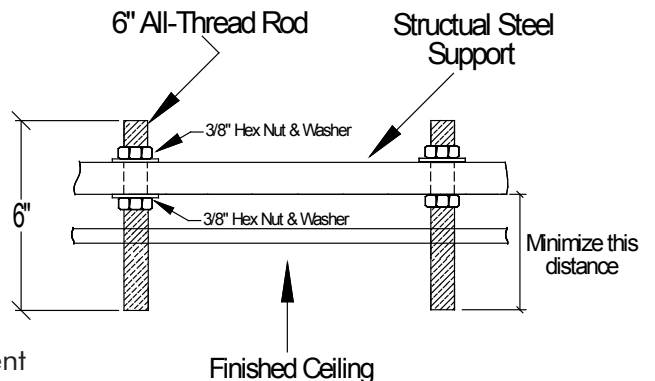
4b) Adjustable Bar Floor Anchoring System

- Using the location of the Pilaster on the floor (as determined in step 3), mark holes for anchors 3/4" from the edge of pilaster along chalk line.
- With a 1/2" drill bit, drill floor 3" deep and insert anchors provided. If drop-in anchors with lip were provided, drill a 5/8" counterbore hole 1-7/16" deep. See drilling sketch.
- Place a Drop-in anchor in hole and use setting tool to expand anchor at this point.
- Attach 4" all-thread rod to anchor with washer and nut. Tighten nut until expansion anchor is firm in the floor.
- Attach second nut and washer on rod with washer on top and turn down to about 1/4" from first nut.
- Attachment of adjustable bar mechanism will be made onto all-thread rods when pilaster is being installed in step 7B.



4c) Ceiling Anchoring System

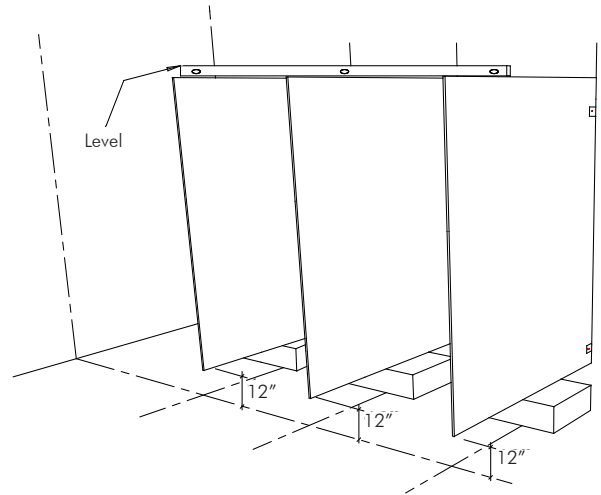
- All-thread rods should be installed above finished ceiling. Use bolt layout provided from factory. If all-thread rods are not installed, use bolt layout shop drawings to locate required positions.
- If structural steel ceiling bolt mechanism is not employed, please notify the contractor immediately of potential safety and warranty issues on function of system.
- 6" all-thread rods must be securely fastened with a nut and washer on the top and nut and washer on the bottom of the structural steel.
- If possible, minimize distance between bottom attachment at structural steel and attachment at the suspended pilaster. As this distance increases, so does the degree of lateral movement once the installation is complete.





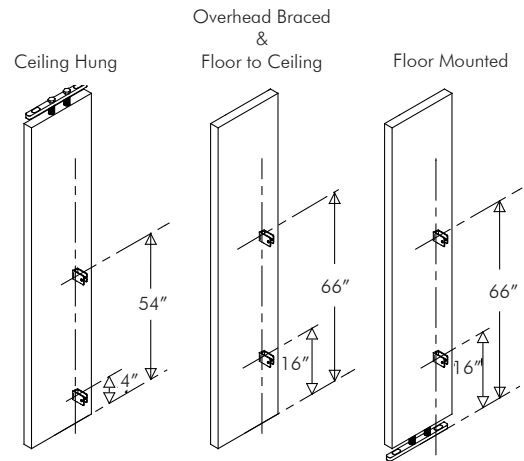
Step 5 - Panel Placement

- Place 12" support on the floor to position panels in desired location. Height from the finished floor to the bottom of the panel should be 12".
- Review elevation page of shop drawings provided for additional details.
- Position panels in the wall brackets on the walls previously installed.
- Level and align panels following floor center lines.
- Do not secure panels to wall brackets at this time, this will be done in following steps.



Step 6 - Panel to Pilaster Bracket Prep.

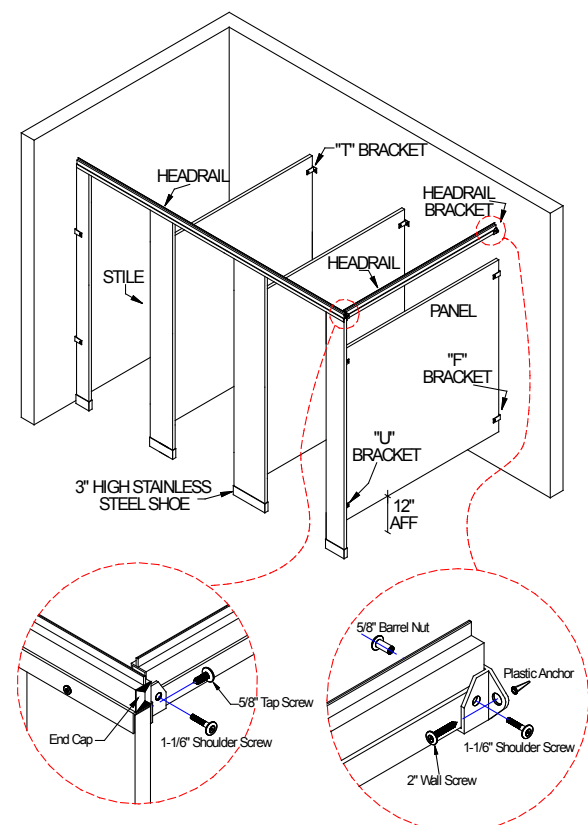
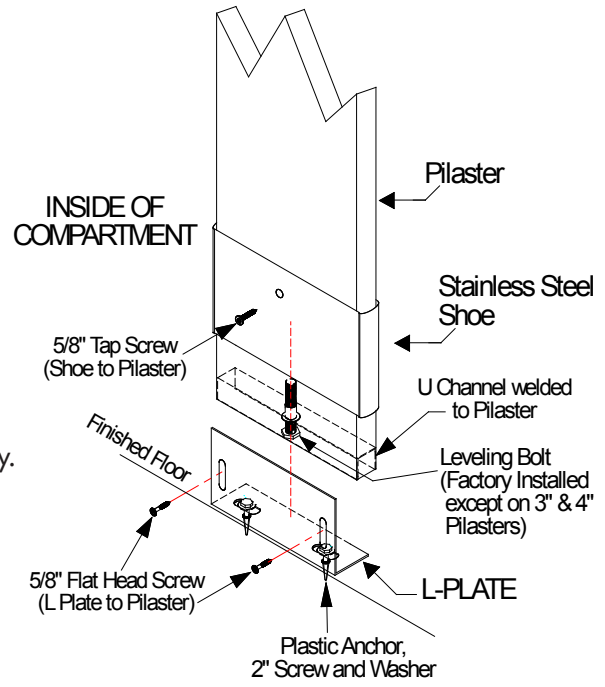
- Using the shop drawings provided, determine and mark the center line location on the inside of the pilaster where the panel will be positioned.
- The height of the "U" bracket should match the height of the wall brackets shown on the shop drawings provided.
- Using the "U" bracket as a template, position bracket and mark hole locations.
- Drill a pilot hole using a 1/8" drill bit.
- Secure brackets to pilaster using #14 x 5/8" tap screws provided.





Step 7A - Over Head Braced Pilaster Installation

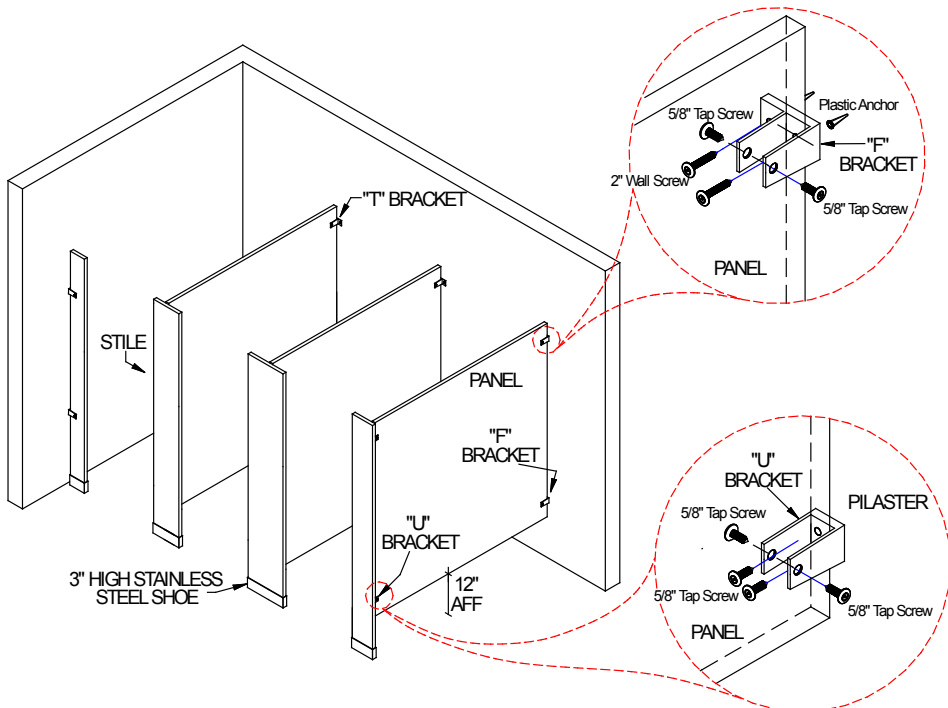
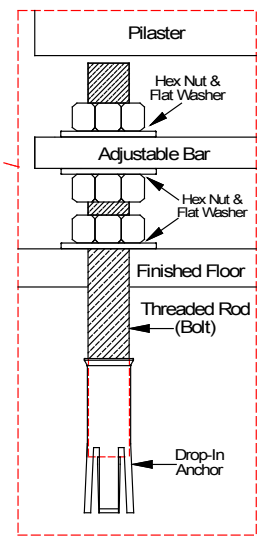
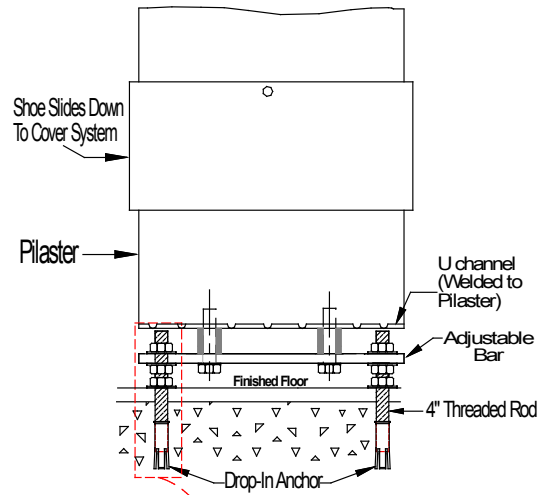
- Commercial restroom floors are generally sloped towards floor drain.
- If this condition exists, begin installation with the pilaster that will be positioned at the highest point on floor. The height of this pilaster should be used as reference for the remainder of the pilasters to be installed.
- Slide stainless steel shoe over pilaster, with pre-drilled shoe hole position at top and on the inside of compartment.
- Move pilaster into position on L-plate and position panel in "U" brackets installed on pilaster.
- Adjust pilaster height using leveling bolt if necessary. 14" or Larger Pilasters will have two leveling bolts installed by factory. 3" and 4" Pilasters will not have leveling bolts installed by factory.
- Level and plumb each pilaster. Do Not secure shoe to pilaster at this point.
- Set desired panel to wall gaps and panel to pilaster gaps, and proceed to drill mounting holes through panel using a 1/8" drill bit.
- Secure and tighten panel to pilaster and panel to wall brackets using #14 x 5/8" tap screws provided in the 423-HW21 screw packs.
- Next, overhead bracing must be installed using provided headrail.
- Our headrail is supplied in three different lengths, 65" 98" & 130".
- Using shop drawings, determine lengths required to cut and install headrail where indicated.
- Make final adjustments to door openings following measurements found on shop drawings and secure headrail to top of pilaster by using (1) #14 x 5/8" tap screw per pilaster.
- For pilasters 18"-24" secure L-Plate to pilaster using two(2) #10 x 5/8" flat head screws through pre-fab slots.
- Secure shoe to pilaster by using a 3/16" drill bit to drill through L-plate at shoe hole location and use #14 x 5/8" tap screw to lock in place.
- Secure head rail to building walls where required using HW51SL screw pack provided.
- Install end caps provided where required.





Step 7B - Floor Mounted Only Pilaster Installation

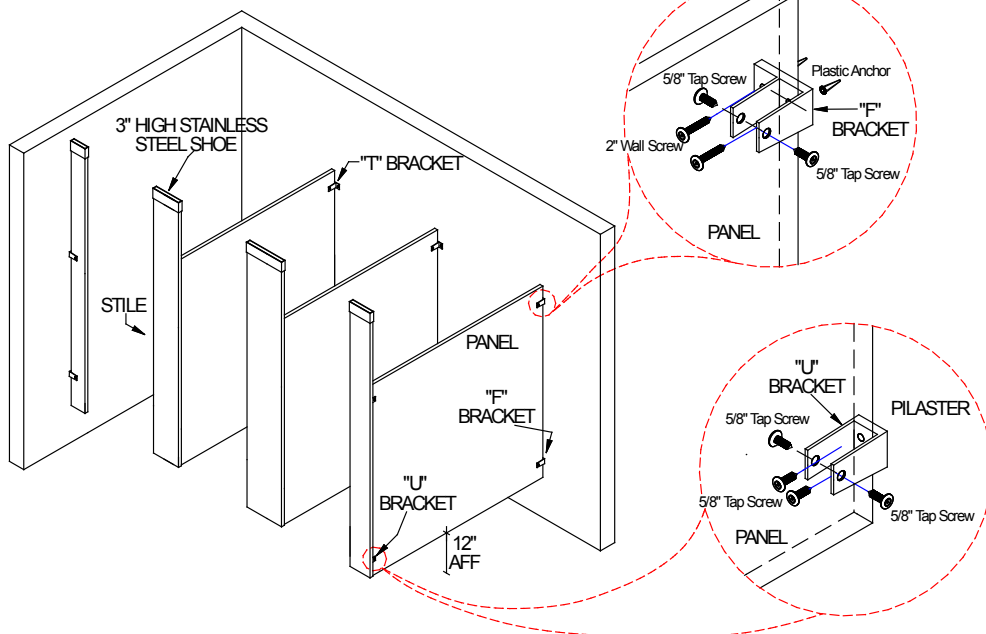
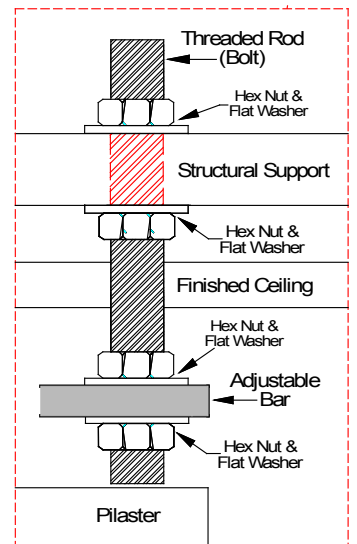
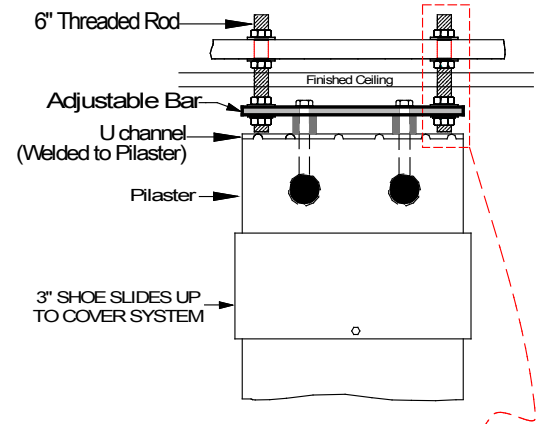
- Commercial restroom floors are generally sloped towards the floor drain.
- If this condition exists, begin the installation with the pilaster that will be positioned at the highest point on the floor. The height of this pilaster should be used as a reference for the remainder of the pilasters to be installed.
- Slide stainless steel shoe over the pilaster, with the pre-drilled shoe hole position at the top and on the inside of the compartment. Move pilaster into position on all thread rods and position the panel in the "U" brackets installed on pilaster.
- Install final washer and nut onto all thread rod and level and plum pilaster using the nuts above and below the bar. **DO NOT** tighten at this point.
- Set desired panel to wall gaps, panel to pilaster gaps, and proceed to drill pilot holes at screw locations using a 1/8" drill bit.
- Secure and tighten panel to pilaster and panel to wall brackets using #14 x 5/8" tap screws provided in the 423-HW21 screw packs.
- Make final adjustments to door openings if necessary and tighten the top nut on to the adjustable bar to lock the pilaster into position.





Step 7C - Ceiling Hung Pilaster Installation

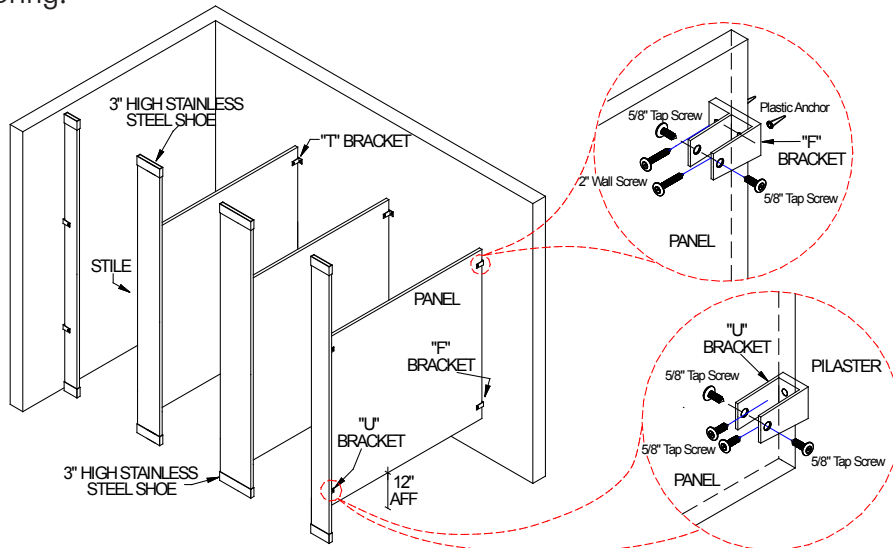
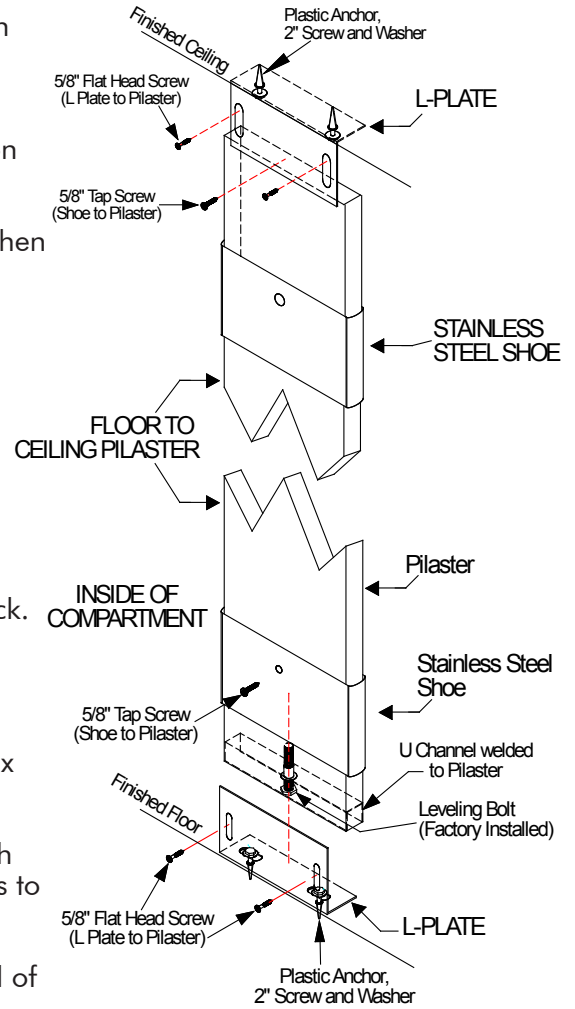
- Ceiling bolts (all thread rods) should be already installed in ceiling.
- Slide the stainless steel shoe over the pilaster with the pre-drilled shoe hole position at the top and on the inside of the compartment. Move the pilaster into position on all thread rods and position the panel in the "U" brackets installed on the pilaster.
- Install the final washer and nut onto all thread rod. Level and plum the pilaster using the nuts above and below the bar. **DO NOT** tighten at this point.
- As stated in step 4, if possible, minimize the distance between the bottom attachment at the structural steel and the attachment at the suspended pilaster. As this distance increases, so does the degree of lateral movement once the installation is complete.
- Set panel to the desired wall gaps, panel to pilaster gaps, and proceed to drill pilot holes at screw locations using a 1/8" drill bit.
- Secure and tighten panel to pilaster and panel to wall brackets using #14 x 5/8" tap screws provided in the 423-HW21 screw pack.
- Make final adjustments to door openings if necessary and tighten top nuts on to adjustable bar to lock the pilaster into position.





Step 7D - Floor To Ceiling Pilaster Installation

- Slide stainless steel shoes over the pilaster for ceiling and floor, with pre-drilled shoe hole position at the bottom for ceiling and at top for floor facing the inside of the compartment.
- Temporally secure stainless steel shoe in place for ceiling connection with tape or clamps.
- Move pilaster into position on the L-plate at the floor and ceiling. Then position the panel in the "U" brackets installed on pilaster.
- Adjust the pilaster height using the leveling bolt if necessary.
- Level and plumb each pilaster. **DO NOT** secure the shoes to the pilaster at this point.
- Set desired panel to wall gaps and panel to pilaster gaps, and proceed to drill pilot holes at screw locations using a 1/8" drill bit.
- Secure and tighten panel to the pilaster and panel to wall brackets using #14 x 5/8" tap screws provided in the 423-HW21 screw pack.
- Make the final adjustments to the door openings following the measurements found on the shop drawings.
- For pilasters 18"-24", secure the L-Plates to the pilaster using #10 x 5/8" flat head screws through the pre-drilled slots.
- Secure shoes to the pilaster by using a 3/16" drill bit to drill through the L-plate at the shoe hole location and use #14 x 5/8" tap screws to lock in place.
- Depending on construction specifications or requirements, one end of the floor to ceiling pilaster may have an adjustable bar connection. If this exists, please refer to Step 7B or 7C of these instructions for anchoring.

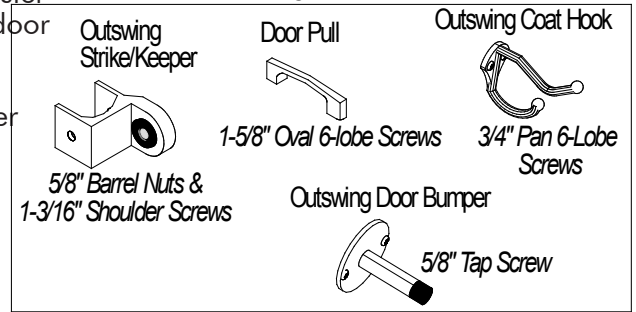




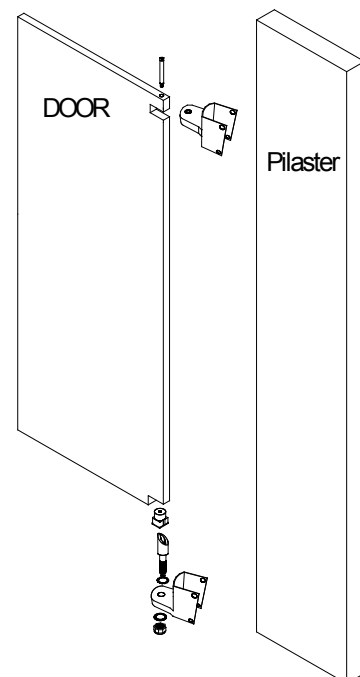
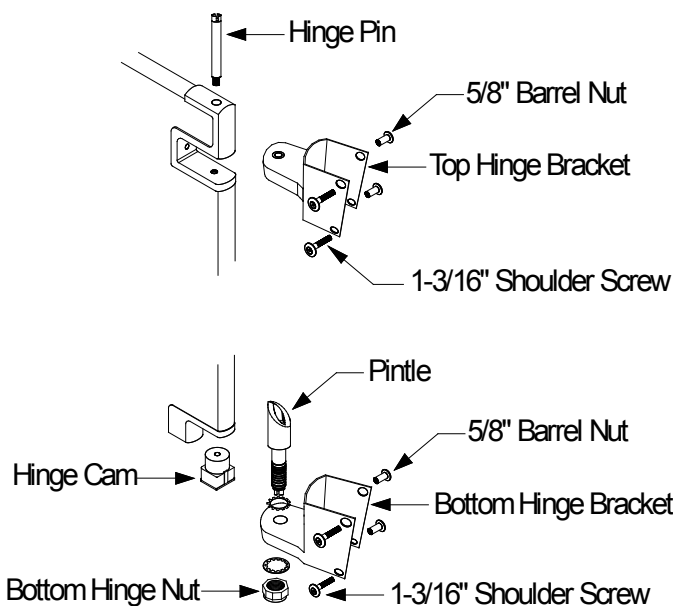
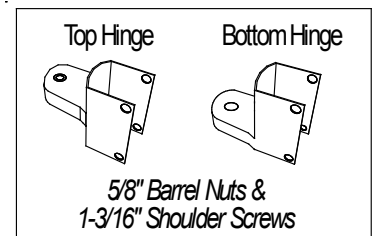
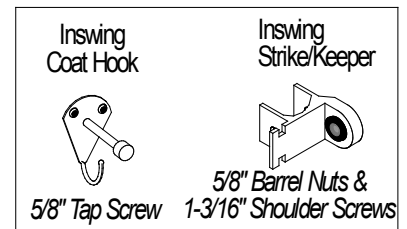
Step 8 - Door Installation (Standard Zamac Hardware)

- Doors should be installed @ 12" AFF to match panels as installed.
- Using door cut outs as a guide, position hinge brackets on pilaster where center of top hinge bracket will align with center of top door cut out.
- Mark holes with hinge bracket in place and drill through pilaster to receive through bolts using a 1/4" drill bit.
- Secure hinge brackets to pilaster using 1-3/16" shoulder screws and 5/8" barrel nuts.
- Insert female plastic cam at bottom of door and hang door on pilaster and secure top hinge with hinge pin provided.
- With door in the rest position, adjust the hinge cam by turning the nut at the bottom of the hinge bracket and holding the pintle in place with a flat head-screw driver until nut is tighten and required door rest position is achieved.
- Install door latch at required height using #8-32 x 1/2" unslotted barrel nuts along with #8-32 x 1-1/8" six lobe oval head screws for in-swing application.
- For out-swing doors, use the #8-32 x 1-5/8" six lobe oval head screws provided and install door pull on opposite side of latch for back to back installation.
- Set door strike and keeper where emergency access feature is functional, test by lifting door to ensure it clears keeper.
- Install coat hook and door stop in desired location.

Out-Swing Door Hardware



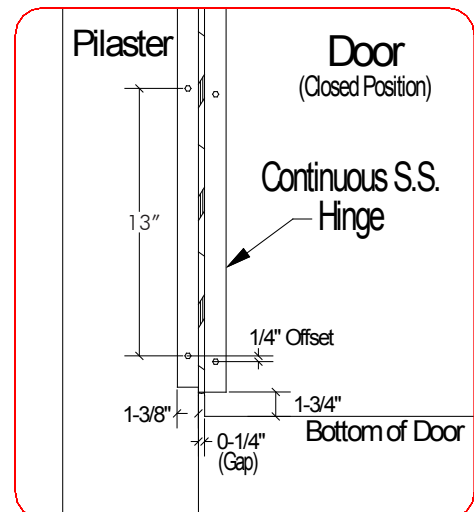
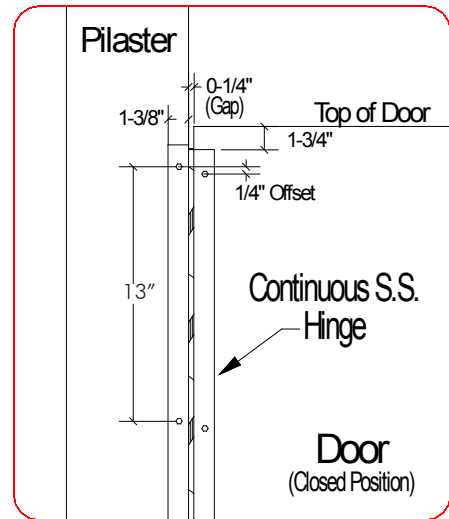
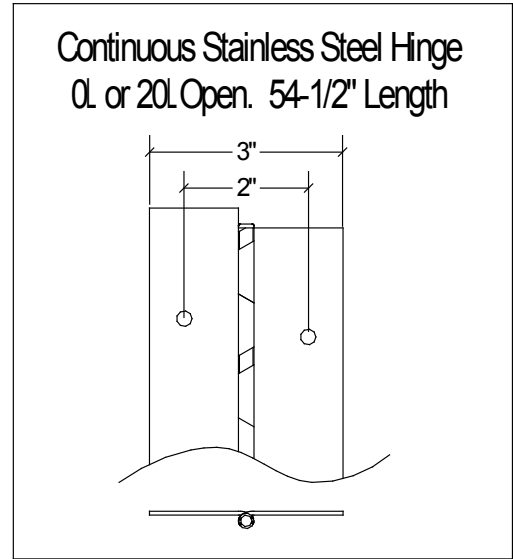
In-Swing Door Hardware





Step 8A - Door Installation
(Continuous Stainless Steel Hinges)

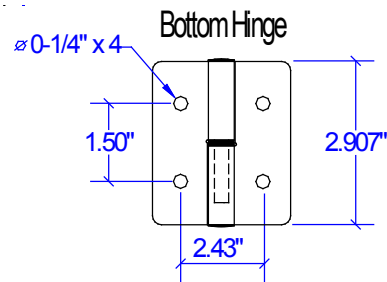
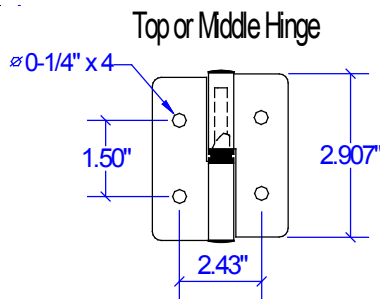
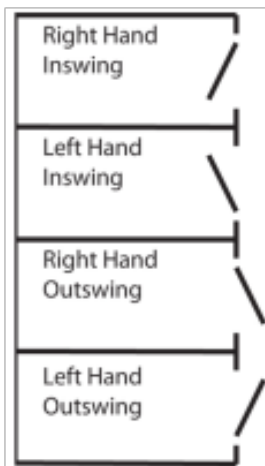
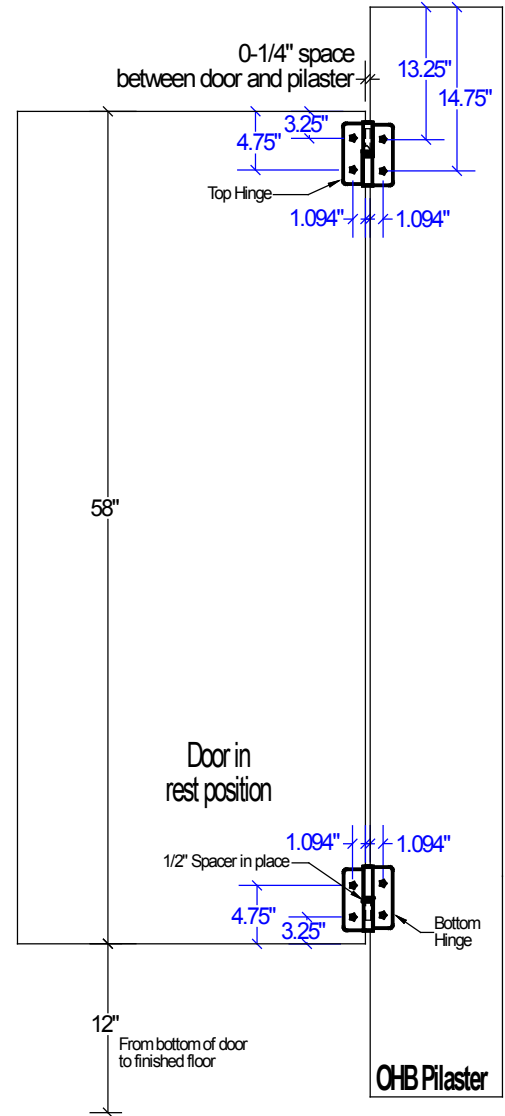
- Continuous stainless steel cam hinges are designed for 20 degree or 0 degree resting position. All H/C doors, whether they are in-swing or out-swing, are required to be set to 0 degree closed position.
- Inswing doors have hinges mounted on the inside of the stall; Outswing doors have hinges mounted on the outside of the stall.
- Please refer to shop drawings to determine the correct swing of each door before proceeding.
- Install the continuous hinges in the closed position.
- Once the opening has been identified, Measure 14" from finished floor and mark the pilaster. This will be the location of the bottom of the hinge.
- Using the hinge as a template, locate and mark the holes necessary to mount the hinge to the pilaster.
- Be certain that the door swing and handing is correct.
- Drill 1/4" holes through marked locations and proceed to mount the hinge to pilaster using the 1-1/16" shoulder screws and 5/8" barrel nuts provided.
- Place 12" support on the floor to position door in desire location. This height should coincide with panel height from finished floor.
- Make sure to mount the pin and barrel at least 1/8" off door edge. This will ensure a clearance of at least 1/4" on hinge and lock side of door.
- Once again using the hinge as a template, mark and drill 1/4" holes into door. Mount the hinge using the 5/8" barrel nuts and 3/4" shoulder screws provided.
- Install door slide latch, keeper, coat hook, door stop and door pull as instructed on page 11 of these installation instructions.





Step 8B - Door Installation
(Chromed Brass Surface Mounted Hinges)

- Surface mounted hinges are handed for left hand (LH) or right hand (RH) swing. The same hinge may be used for LH inswing or RH outswing. The opposite hinge would be used for RH inswing and LH outswing.
- Locate and mark the holes for hinge leaves to pilasters as per drawings.
- Drill pilaster for thru-bolts (barrel nut and shoulder screw) and set hinges.
- Locate and mark the holes for the upper hinge leaf to door. Adjust male pintle as necessary to achieve desired closed or "rest" position.
- Drill door for thru-bolts (barrel nut and shoulder screw) and set top hinge.
- With door in the rest position, locate and mark the holes for bottom hinge leaf on door with 1/2" spacer in place as per drawing. This is to allow for the rise of the door when opening. Make sure bottom of door is at 12" AFF.
Remove spacer before installing fasteners.
- Install retaining clip into pin to prevent the pin from coming out.
- Drill door for thru-bolts (barrel nut and shoulder screw) and set bottom hinge.
- To reverse the handedness of the hinge, remove the nylon inserts from the top hinge and insert them into the bottom hinge. Remove the plastic inserts from the bottom hinge and insert them into the top hinge. This will change the direction of the swing.
- To adjust position of the door closing, drive pintle from bottom leaf of top door-hinge and turn to desired position.

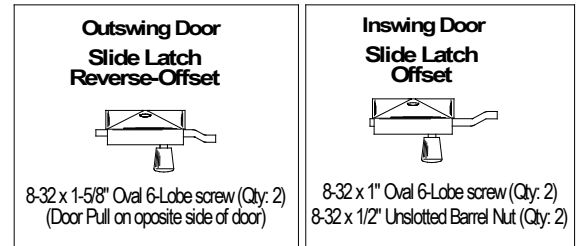
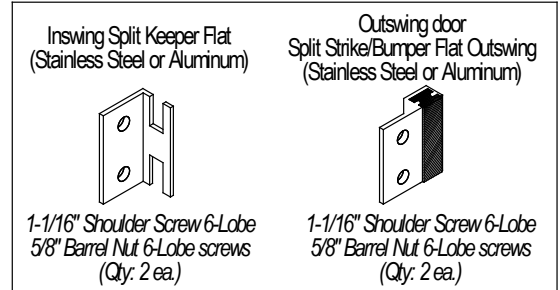


Note:
 Installer must verify that the hinges provided match the dimensions on these instructions prior to installation.
 Installer must also take in consideration floor conditions in the field prior to drilling and installing hinges.

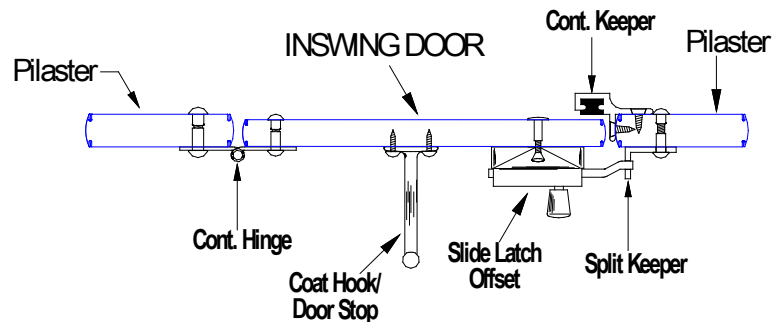
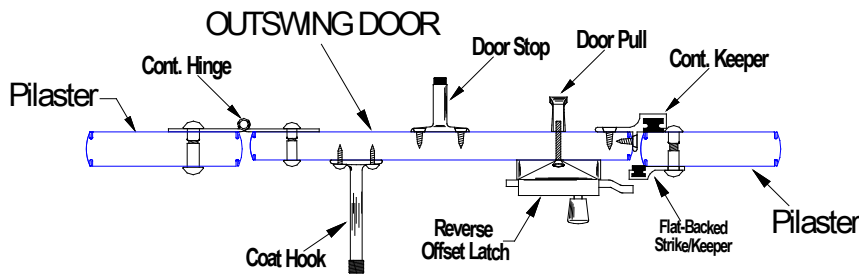
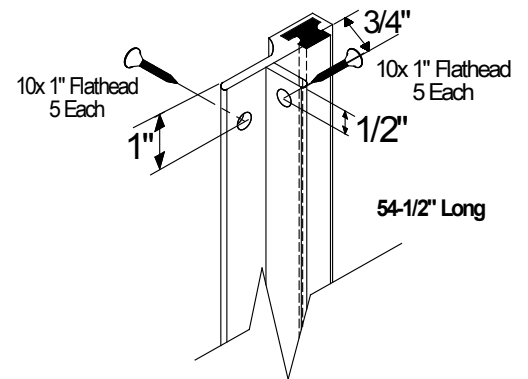


Step 8C - Door Installation
(Continuous Aluminum Keepers)

- The Continuous Aluminum Keepers are 54-1/2" long and can be installed on inswing or outswing doors. It requires ten (10) 10 x 1" Flat Head Screws for installation.
- Please refer to shop drawings to determine the correct swing of each door before proceeding.
- Inswing doors require cont. aluminum keepers to be installed on outside face of pilaster and a split keeper for emergency access feature on the inside face of pilaster.
- Outswing doors require cont. aluminum keepers to be installed on outside face of doors and split strike for emergency access feature on the inside face of pilaster.
- Using the continuous keeper as a template, locate and mark the holes necessary to mount the keeper to the pilaster or door.
- Secure continuous aluminum keeper on door or pilaster with 10 x 1" flat head screws.
- Install door latch for inswing doors at required height using 8-32 x 1" oval ss 6 lobe shoulder screws and 8-32 x 1/2" unslotted barrel nuts. For outswing Doors, install door latch along with door pull on opposite side of door using two 8-32 x 1-5/8" shoulder screws.
- Install door strike and keeper using 1-1/16" shoulder screws and 5/8" barrel nuts.
- Set door strike and keeper where emergency access feature is functional, test by lifting door to ensure it clears keeper.



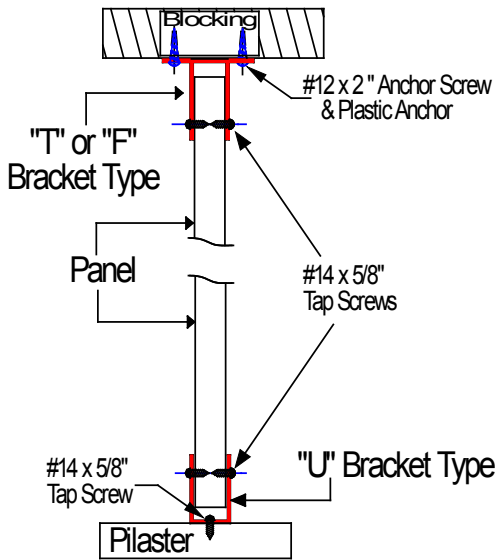
54-1/2" Continuous Aluminum Keeper





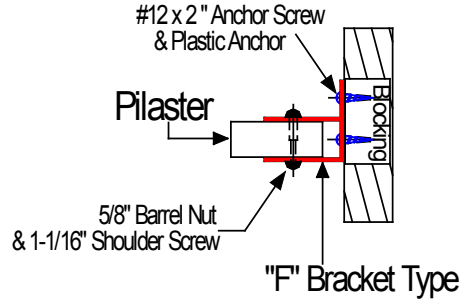
Panel to Wall / Panel to Pilaster

Bracket-Pack (423-P) or (423-PE)
 Screw-Pack (423-HW21)



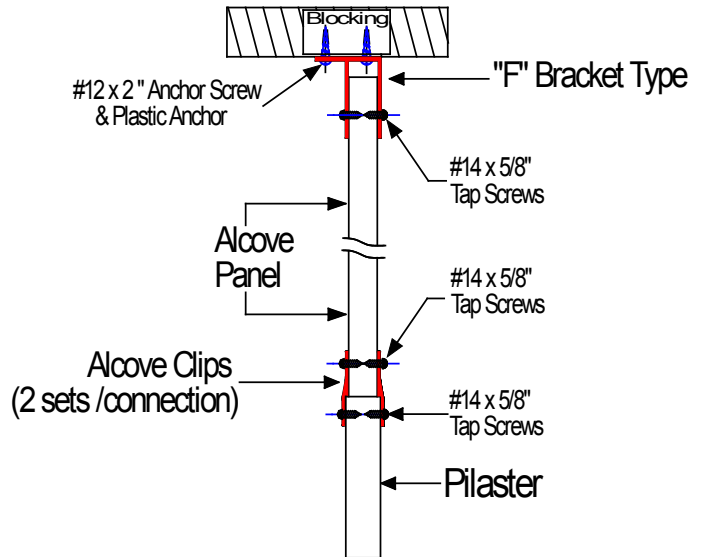
Pilaster to Wall

Bracket-Pack (400-BW)
 Screw-Pack (433-HW11SL)



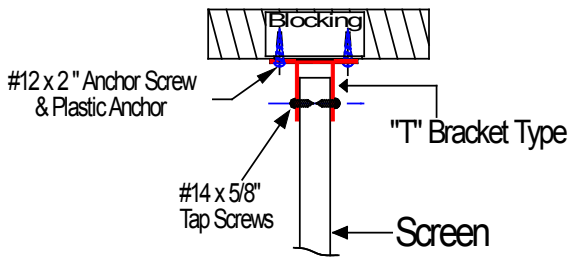
Alcove Panel

Bracket-Pack (433-A)
 Screw-Pack (433-HW61SL)



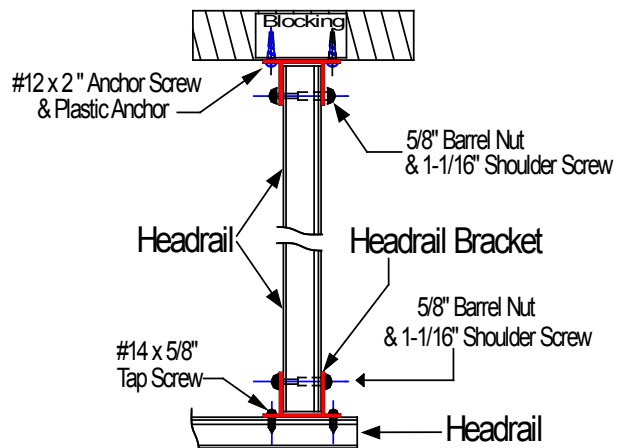
Wall Hung Urinal Screen

Bracket-Pack (423-US KIT)
 Screw-Pack (423-HW41)



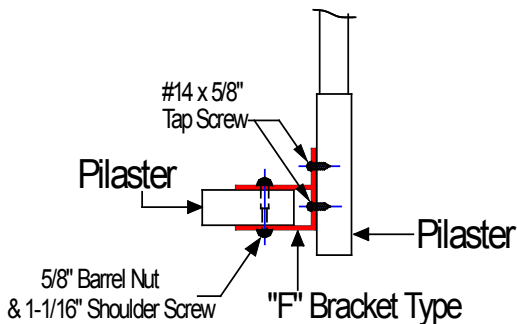
Headrail to Wall/Headrail

Bracket/Screw-Pack (433-HW51SL)



Pilaster to Pilaster/Panel

Bracket-Pack (400-BP)
 Screw-Pack (433-HW12SL)





DISCLAIMER OF LIABILITY

AMPCO has no control over the method of installation for the product you have purchased. AMPCO has provided written instructions for the installation of the product herein as a guide to the installation process. These instructions are not meant to be all encompassing. There may exist Material components for an installation that is not addressed in these instructions. The product must be installed by an experienced, qualified and fully insured installer. AMPCO does not maintain any control or dominion over the selection of the installer used to install the product, the method of installation of this product, and does not inspect the product once it has been installed. Therefore, and in light of the foregoing, AMPCO assumes no liability and the customer assumes all liability for any damages that result from the improper installation, inappropriate selection of an installer, and/or failure to follow the installation instructions provided herein.