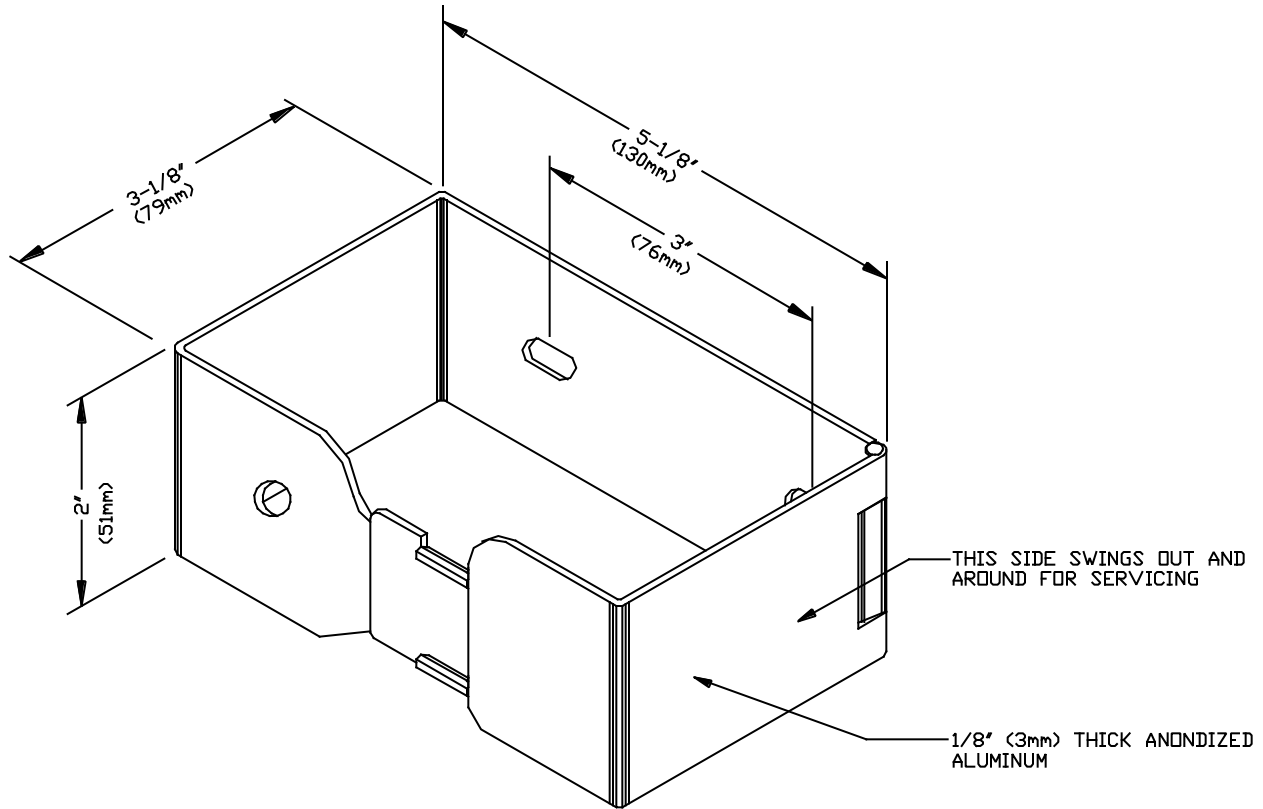




AMERICAN SPECIALTIES, INC.
 441 Saw Mill River Road, Yonkers, NY 10701 (914) 476-9000

MODEL No:	8020
ISSUED:	
REVISED:	9-96

SURFACE MOUNTED SAV-HALF TOILET PAPER HOLDER



ISOMETRIC

SPECIFICATION

Surface Mounted Sav-Half Single Roll Tissue Holder shall hold and dispense all standard core roll tissue, up to 5" (127mm) in diameter. Unit back plate and support arms shall be fabricated of 1/8" (3mm) thick clear anodized aluminum with a satin finish. Unit shall be of unbody construction, with a concealed hinged snap lock arm and no removable parts. Tissue roll shall not be removable until tissue is depleted.

Surface Mounted Sav-Half Single Roll Tissue Holder shall be Model N^o 8020 as fabricated by American Specialties, Inc. 441 Saw Mill River Road Yonkers, New York 10701- 4913

INSTALLATION

Unit is surfaced mounted to wall or partition using N^o10 self tapping screws (supplied) through two (2) slots in back plate. For compliance with ADA Accessibility Guidelines, unit should be installed with roller centerline between 44" (1118mm) maximum above finished floor (AFF) and 19" (483mm) minimum AFF and leading edge of roll no further than 36" (914mm) from back wall behind commode.

OPERATION

Unit is replenished by removing depleted core from holder and then pulling hinged side forward, which releases the snap-lock mechanism and allows hinged arm to swing out and around for servicing. Roll cannot be removed from unit until toilet tissue is exhausted.

Accessory Specialties

AMERICAN DISPENSER

Desert Ray Products

WATROUS INC.