



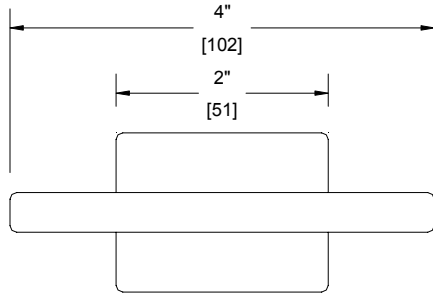
**AMERICAN SPECIALTIES, INC.**  
 441 Saw Mill River Road, NY 10701 (914) 476-9000  
 www.americanspecialties.com

MODEL No: 0720-Z

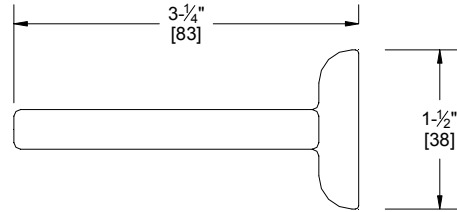
ISSUED: 01/87

REVISED: 07/09

**SURFACE MOUNTED SOAP DISH WITH DRAIN**

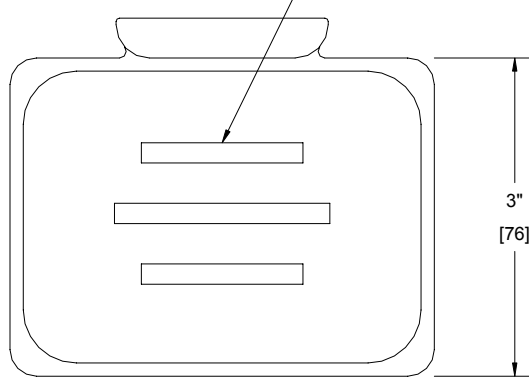


FRONT VIEW  
DRAIN SLOTS

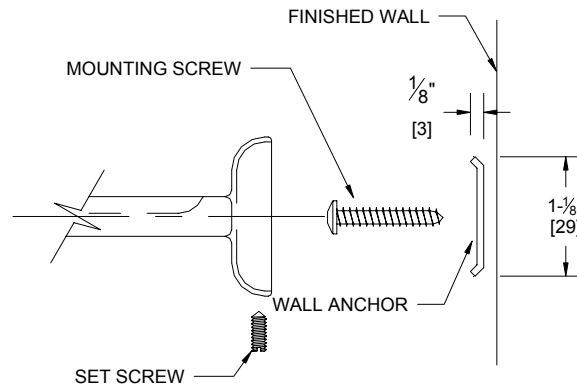


SIDE VIEW

NOTE: ALL DIM'S  
INCH [MM]



TOP VIEW



MOUNTING DETAIL

**SPECIFICATION**

Surface Mounted Soap Dish with drain shall be fabricated of triple chrome plated rust proof Zamak. One stainless steel slotted headless set screw shall be provided along perimeter of flange for anchoring to stainless steel wall bracket. Wall anchor shall be provided. Unit shall meet appropriate FHA and other federal specifications.

**Surface Mounted Soap Dish with Drain shall be Model N<sup>o</sup> 0720-Z of American Specialties, Inc. 441 Saw Mill River Road Yonkers, New York 10701-4913**

**INSTALLATION**

Wall bracket is surface mounted using two # 8 pan head screws (supplied) through holes provided. Soap dish is mounted over top leg of bracket and secured by set screw from underside. Suggested location is 48" (1219) MAX above finished floor to centerline of wall bracket or 6" (152) above wash basin.