

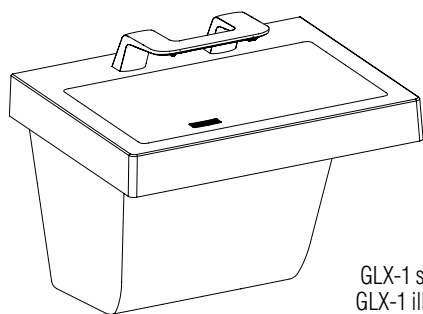
Installation

GLX-1 and TLX-1

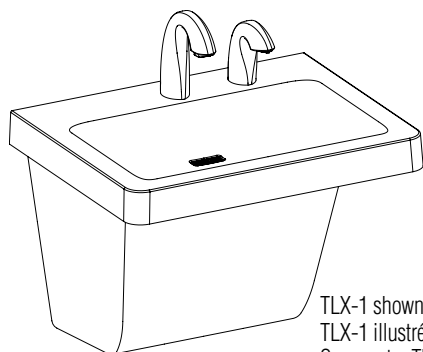
Express Lavatory System –
GLX & TLX Series

Système lave-mains Express –
Série GLX et TLX

Sistema de lavabo Express –
Series GLX y TLX



GLX-1 shown with WashBar Duo WBD1
GLX-1 illustré avec WashBar Duo WBD1
Se muestra GLX-1 con WashBar Duo WBD1



TLX-1 shown with Verge™ Soap & Faucet
TLX-1 illustré avec robinet et distributeur de savon Verge™
Se muestra TLX-1 con llave y jabón Verge™

WARNING

Turn OFF electrical power to the electrical outlets, then unplug all electrical units prior to installation. Electrical power **MUST** remain off until installation is complete.

Installer's hardware must be appropriate for wall construction. Wall anchors must have a minimum pull-out rating of 1,000 lb.

NOTICE

Make sure that all water supply lines have been flushed and then completely turned off before beginning installation. Debris in supply lines can cause valves to malfunction.

IMPORTANT

Read this entire installation manual to ensure proper installation. When finished with the installation, file this manual with the owner or maintenance department. Compliance and conformity to local codes and ordinances is the responsibility of the installer. Product warranties may be found under "Products" on our website at bradleycorp.com.

Separate parts from packaging and make sure all parts are accounted for before discarding any packaging material. If any parts are missing, do not begin installation until you obtain the missing parts.

For standard height mounting, do not exceed the recommended 33.5" distance from the fixture rim to the finished floor.



Table of Contents

Components	3
Supplies Required	4
Dimensions.....	4-11
Rough-Ins	12-15
Bracket Mounting.....	16
Drain Assembly	17
Verge Soap & Faucet or WashBar Duo Component Assembly.....	17
Bowl Mounting.....	18
Strainer and P-Trap	18
Adjust Temperature.....	19
Access Panel	19
Cleaning and Maintenance.....	20

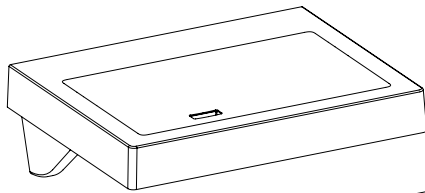
Table des matières

Composants	22
Fournitures requises.....	23
Dimensions.....	24-30
Poses préliminaires	31-33
Fixation du support.....	35
Assemblage de l'écoulement.....	36
Assemblage des composants Verge eau et savon ou WashBar Duo	36
Montage de la vasque	37
Tamis et siphon en P	37
Régler la température.....	38
Panneau d'accès	38
Nettoyage et entretien	39

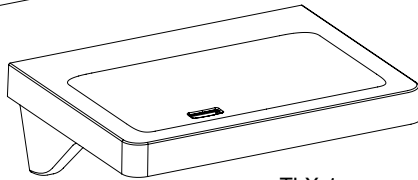
Contenido

Componentes	41
Materiales necesarios	42
Dimensiones.....	43-49
Tuberías empotradas.....	50-53
Montaje de los soportes	54
Conjunto de desagüe	55
Conjunto de componentes de llave y jabón Verge o WashBar Duo.....	55
Montaje de la palangana	56
Filtro y sifón en P	56
Ajuste de temperatura	57
Panel de acceso	57
Limpieza y mantenimiento.....	58

Components

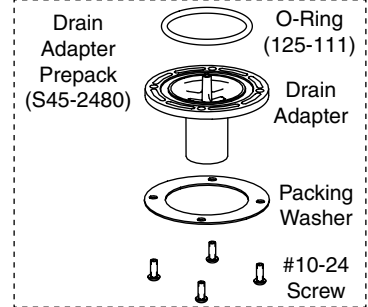
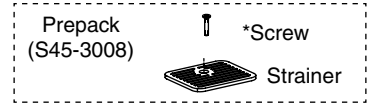


GLX-1
(187-365)
(color dependent)

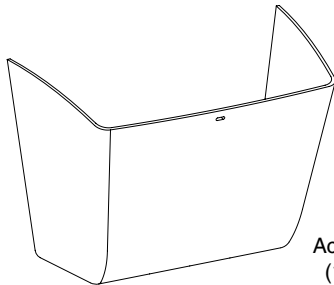


Bowl
Contact your Bradley Representative
for color options

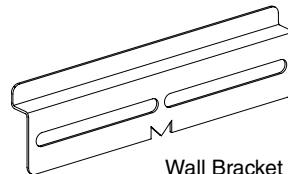
TLX-1
(187-364)
(color dependent)



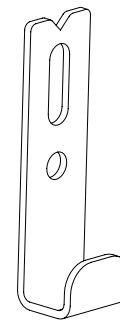
#10 Access Panel
Thumb Screw
(160-536)



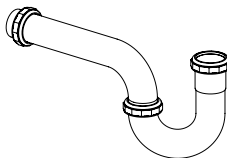
Access Panel
(186-2273)



Wall Bracket
(140-1153)



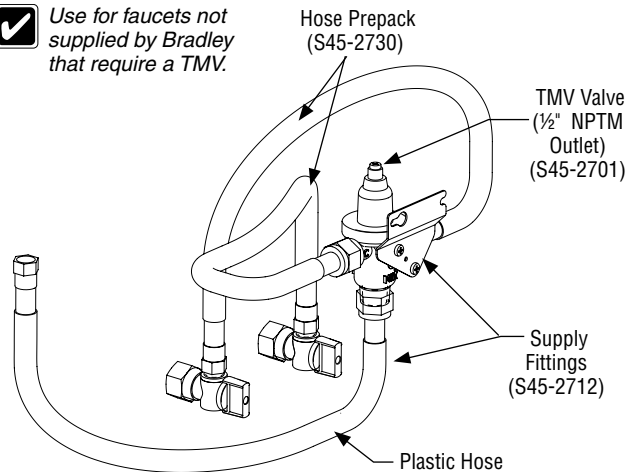
Access Panel
Bracket
(140-1172)



Individual Rough-In Option
Chrome P-Trap (S29-094)
Plastic P-Trap (269-1697)

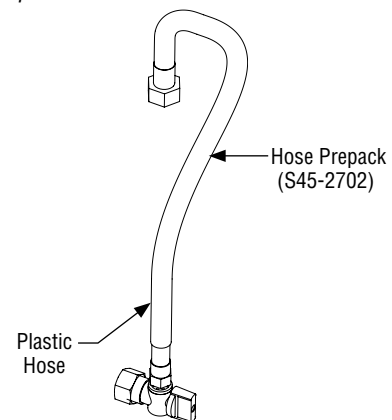
TMV Supply Connections

Use for faucets not supplied by Bradley that require a TMV.



TMV & Tempered Supply Connections

Two (2) connections are required for TMV.



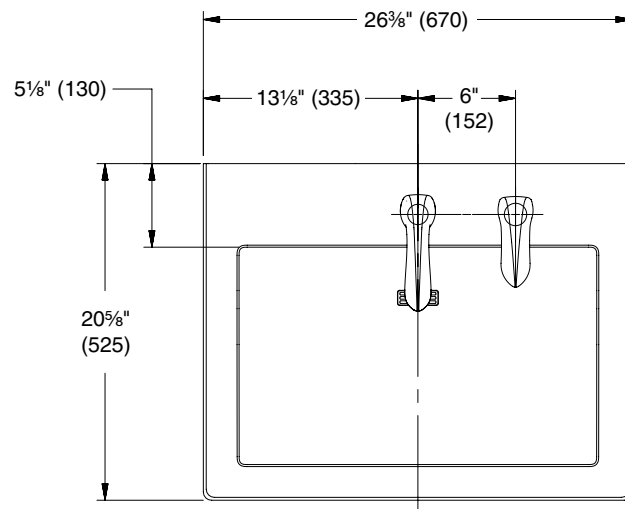
Supplies Required

- (4) $\frac{3}{8}$ " fasteners and wall anchors (minimum pull-out rating of 1,000 lb)
- (4) $\frac{1}{4}$ " fasteners (2 for the bowl, 2 for the bracket)
- $\frac{1}{2}$ " hot/cold or tempered stub-out(s)
- $1\frac{1}{2}$ " NPT drain stub-out(s)
- OPTIONAL: (3) 110V GFCI protected electrical outlets for 100–120 VAC plug-in transformers
- Screen filter(s) as needed, if not included with faucet(s)

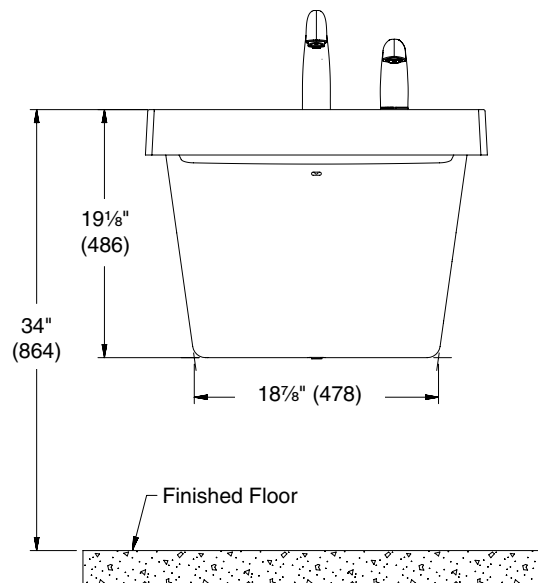
Dimensions

(mm)

Top View – GLX-1 (shown with Verge™ Soap & Faucet)



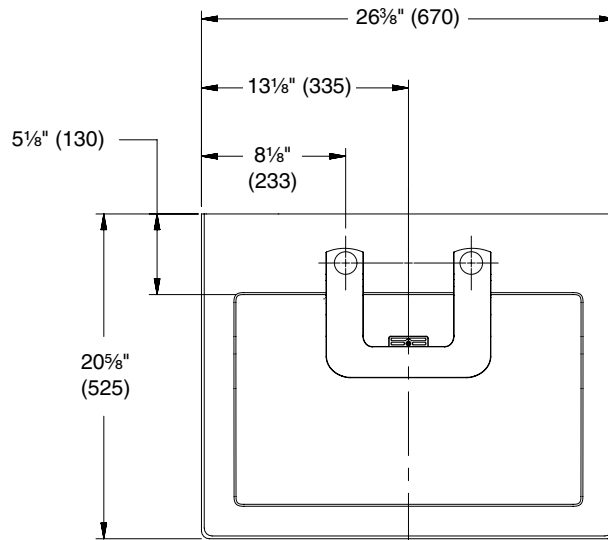
Front View – GLX-1 (shown with Verge Soap & Faucet)



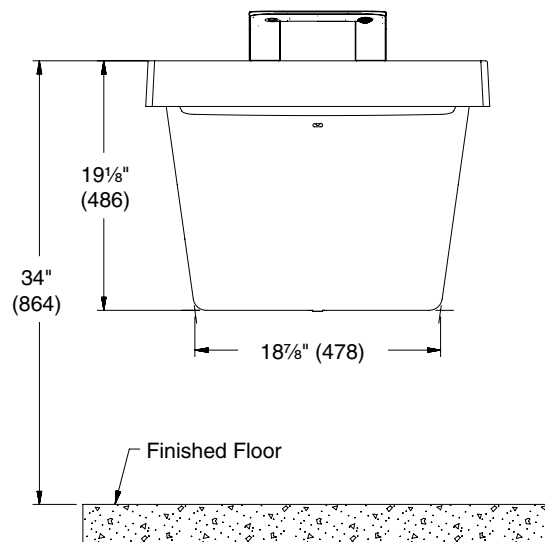
Dimensions

(mm)

Top View – GLX-1 (shown with WBD1)



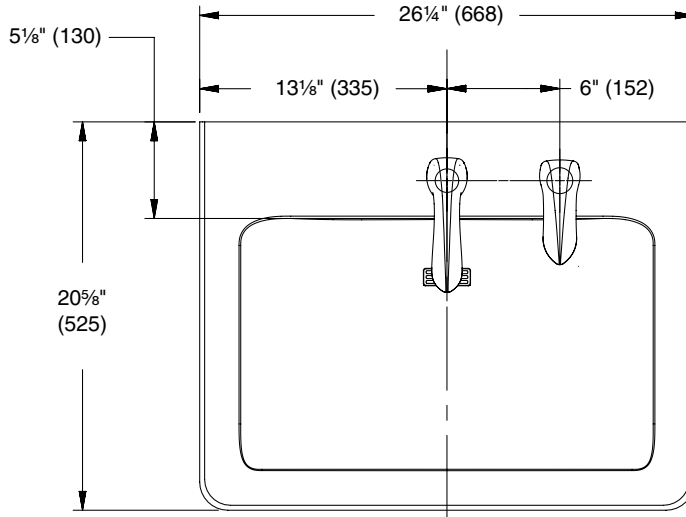
Front View – GLX-1 (shown with WBD1)



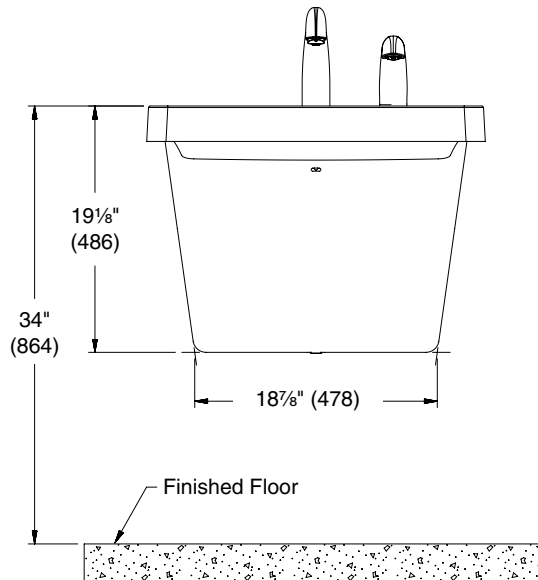
Dimensions

(mm)

Top View – TLX-1 (shown with Verge Soap & Faucet)



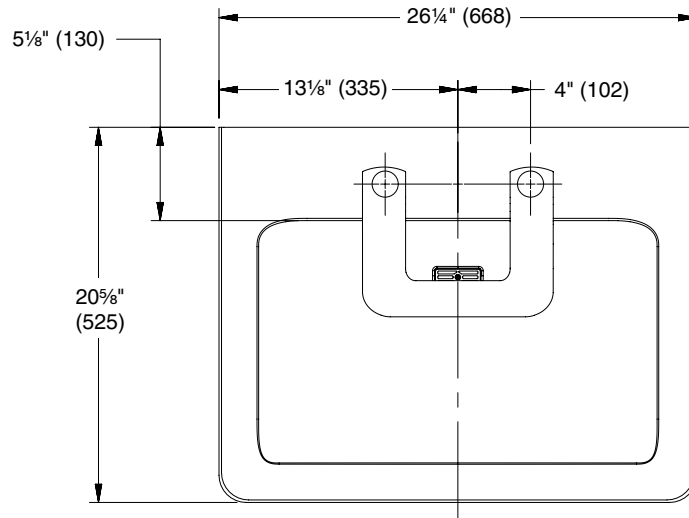
Front View – TLX-1 (shown with Verge Soap & Faucet)



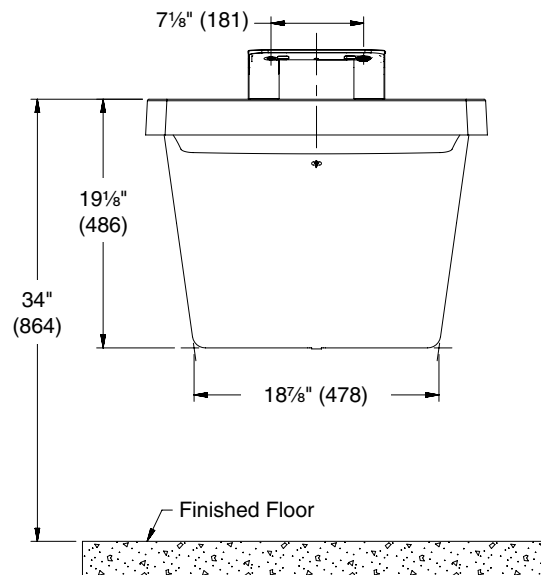
Dimensions

(mm)

Top View – TLX-1 (shown with WBD1)



Front View – TLX-1 (shown with WBD1)

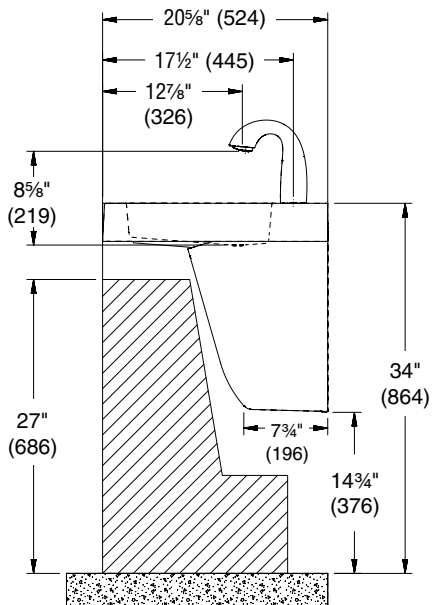


Dimensions

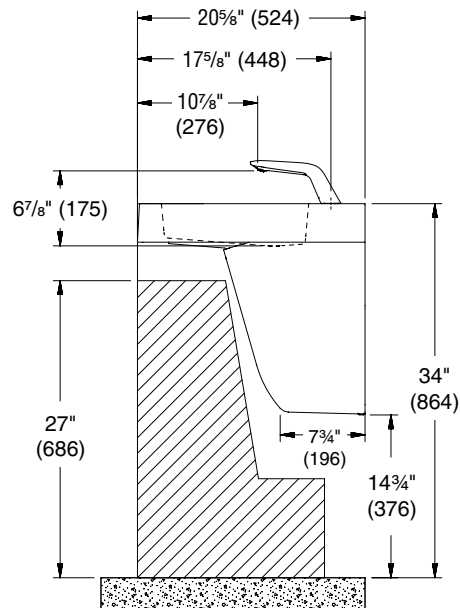
(mm)

Side View – GLX-1

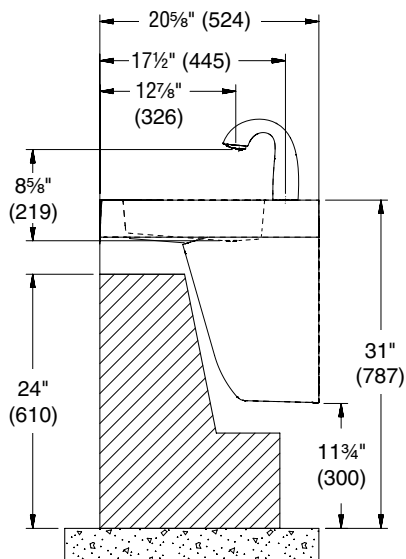
Standard Height (ADA) – Verge Faucet



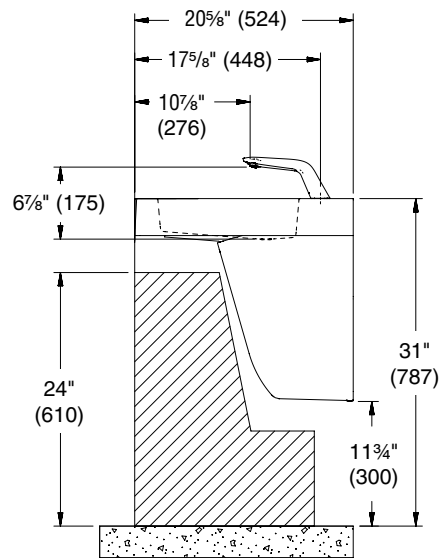
Standard Height (ADA) – WBD1



Juvenile Height (ADA) – Verge Faucet



Juvenile Height (ADA) – WBD1



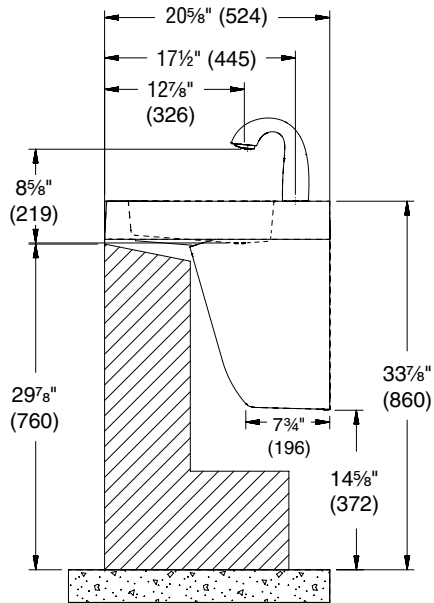
Rim Height	Vertical Height Adjustments	Fixture Style	Notes
34"	No Adjustment	Standard ADA & TAS	At least one basin must meet dimensional requirements and have proper reach, knee, and toe clearance.
31"	*Subtract 3"	Juvenile ADA & TAS	At least one basin must meet dimensional requirements and have proper reach, knee, and toe clearance.
26"	*Subtract 8"	Junior	For use by younger children where ADA guidelines are not a concern.

Dimensions

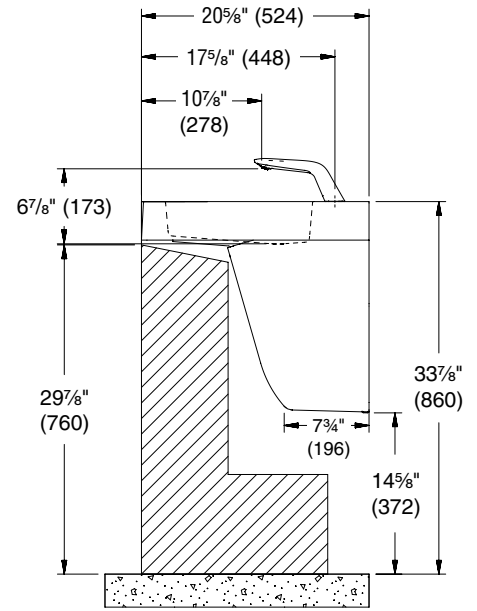
(mm)

Side View – GLX-1

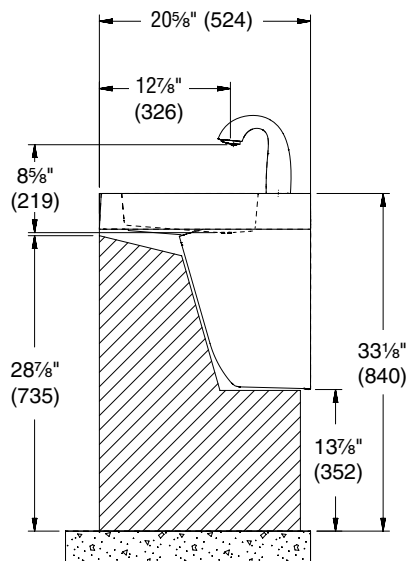
CSA Height – Verge Faucet



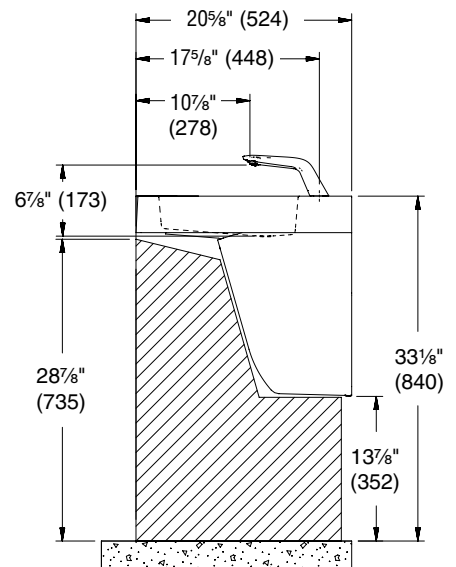
CSA Height – WBD1



OBC Height – Verge Faucet



OBC Height – WBD1

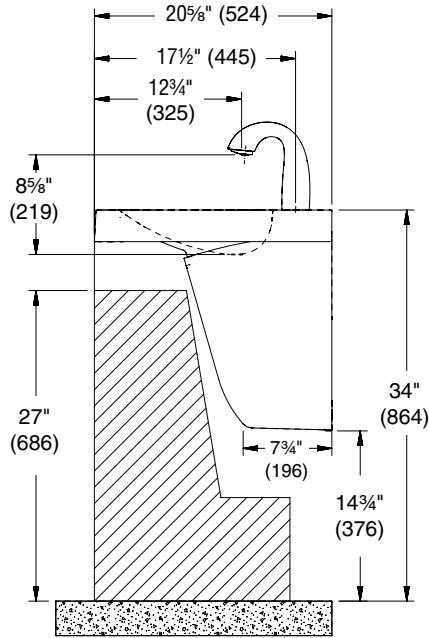


Dimensions

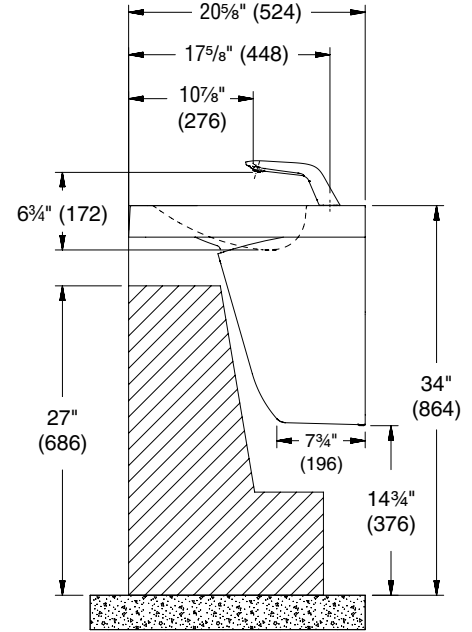
(mm)

Side View – TLX-1

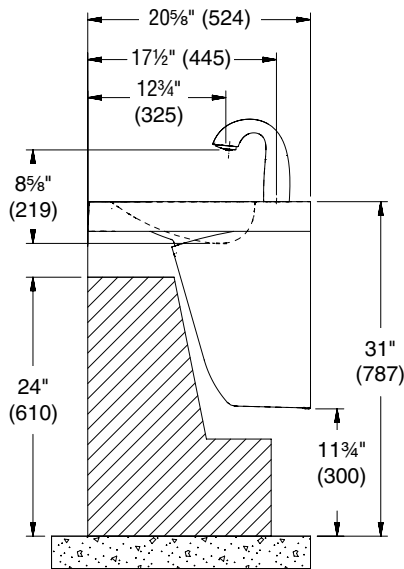
Standard Height (ADA) – Verge Faucet



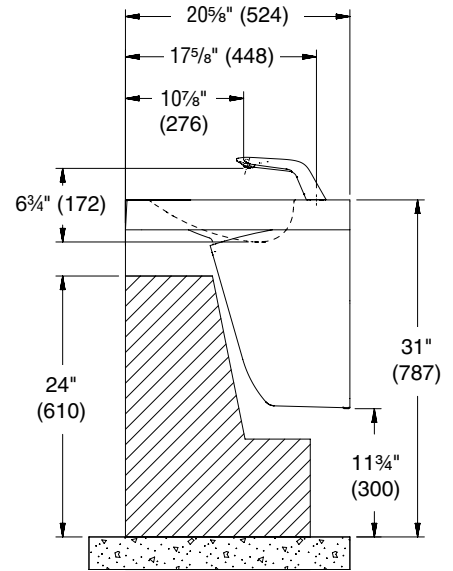
Standard Height (ADA) – WBD1



Juvenile Height (ADA) – Verge Faucet



Juvenile Height (ADA) – WBD1



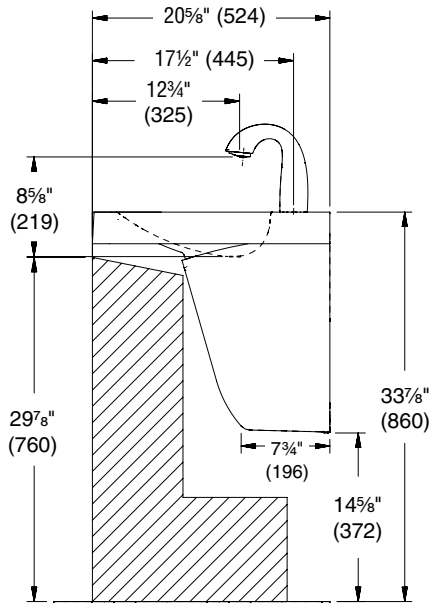
Rim Height	Vertical Height Adjustments	Fixture Style	Notes
34"	No Adjustment	Standard ADA & TAS	At least one basin must meet dimensional requirements and have proper reach, knee, and toe clearance.
31"	*Subtract 3"	Juvenile ADA & TAS	At least one basin must meet dimensional requirements and have proper reach, knee, and toe clearance.
26"	*Subtract 8"	Junior	For use by younger children where ADA guidelines are not a concern.

Dimensions

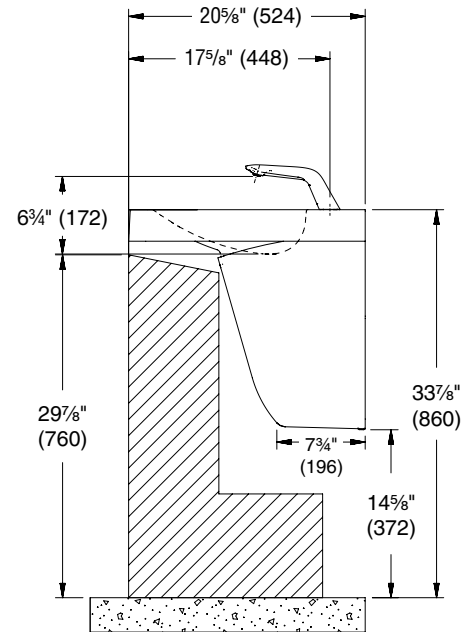
(mm)

Side View – TLX-1

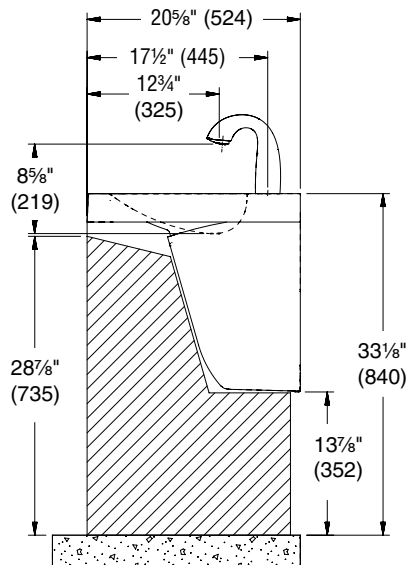
CSA Height – Verge Faucet



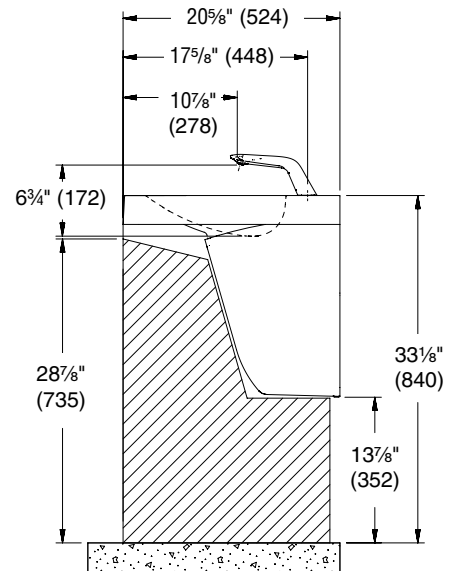
CSA Height – WBD1



OBC Height – Verge Faucet



OBC Height – WBD1



Structural Rough-Ins – GLX & TLX

(mm)

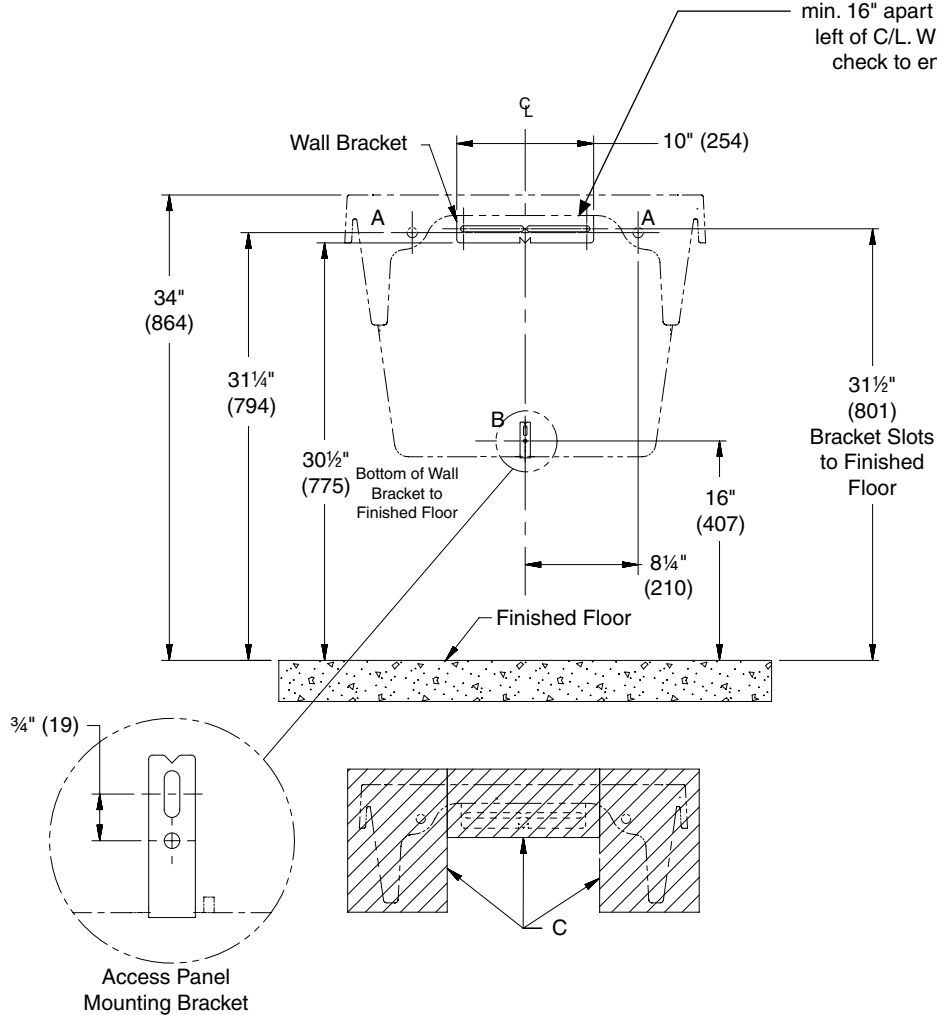


Mounting for Standard ADA and TAS height shown.



Areas highlighted in gray require sufficient backing compliant with local building codes.

Secure bracket to wall using min. (2) 3/8" anchor bolts to the left of C/L and min. (2) 3/8" anchor bolts to the right of C/L. The (2) anchor bolts to the right of C/L must be min. 16" apart from the anchor bolts to the left of C/L. When mounting is complete, check to ensure the bracket is level.



CODE	DESCRIPTION	QTY.
A	Install (1) 3/8" wall anchor with a minimum pull-out force of 1,000 lb per local codes at locations shown	2
B	Install (2) wall anchors per bracket with a minimum pull-out force of 100 lb per local codes at locations shown	2
C	Provide structural backing compliant with local building codes.	2

RIM HEIGHT	VERTICAL HEIGHT ADJUSTMENTS	FIXTURE STYLE	NOTES
34"	No Adjustment	Standard ADA & TAS	At least one basin must meet dimensional requirements and have proper reach, knee, and toe clearance.
31"	*Subtract 3"	Juvenile ADA & TAS	At least one basin must meet dimensional requirements and have proper reach, knee, and toe clearance.
26"	*Subtract 8"	Junior	For use by younger children where ADA guidelines are not a concern.

Plumbing & Electrical Rough-Ins – GLX & TLX

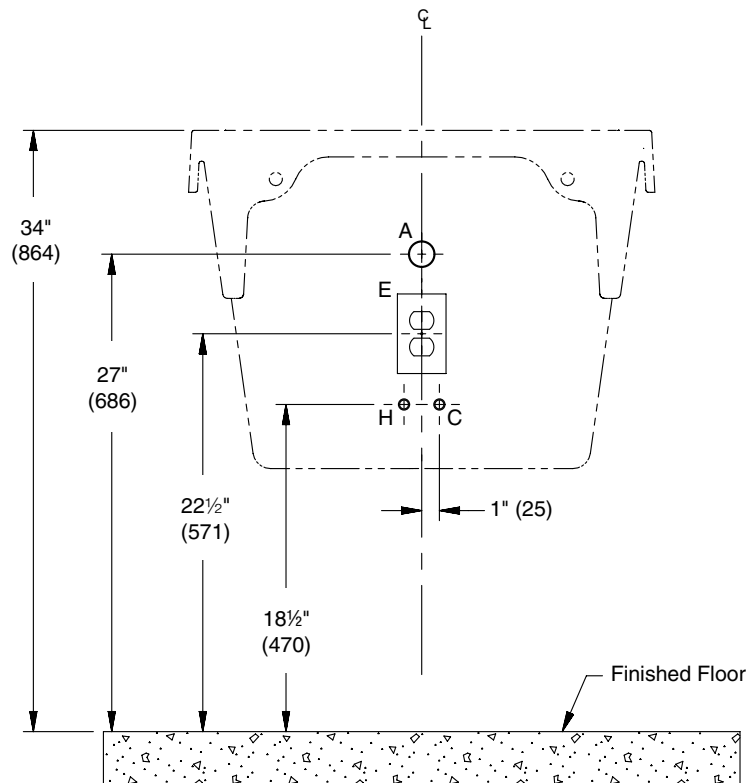
(mm)



Mounting for Standard ADA and TAS height shown.



Electric outlet locations shown below reflect potential locations. Refer to the tech data for power supply and outlet information.



CODE	DESCRIPTION	QTY.
A	1½" NPT Drain, Stub-out 2" from wall	1
H,C	½" Nominal (⅝" O.D. Comp.) Hot/Cold supplies, Stub-out 2" from wall	1
E	110V GFI protected electrical outlet (AC faucet and soap only)	1

Plumbing & Electrical Rough-Ins – Verge Soap & Faucet

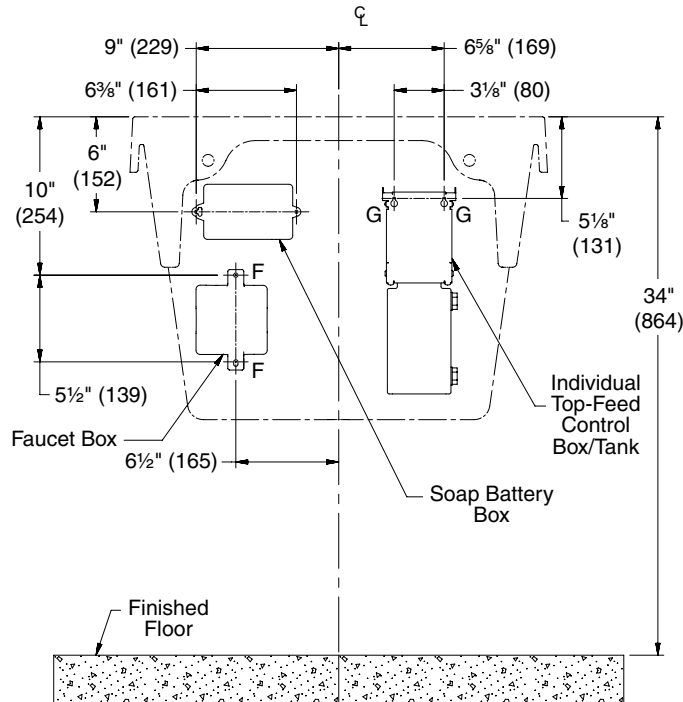
(mm)



Mounting for Standard ADA and TAS height shown.



Electric outlet locations shown below reflect potential locations. Refer to the tech data for power supply and outlet information.



CODE	DESCRIPTION	QTY.
F	#10 Anchors for Faucet Control Box Installation Provide sufficient backing behind the mounting locations.	2
G	#10 Anchors for Soap Tank Bracket (100 lb pull out force) Provide sufficient backing behind the mounting locations.	2

Plumbing & Electrical Rough-Ins – WBD1

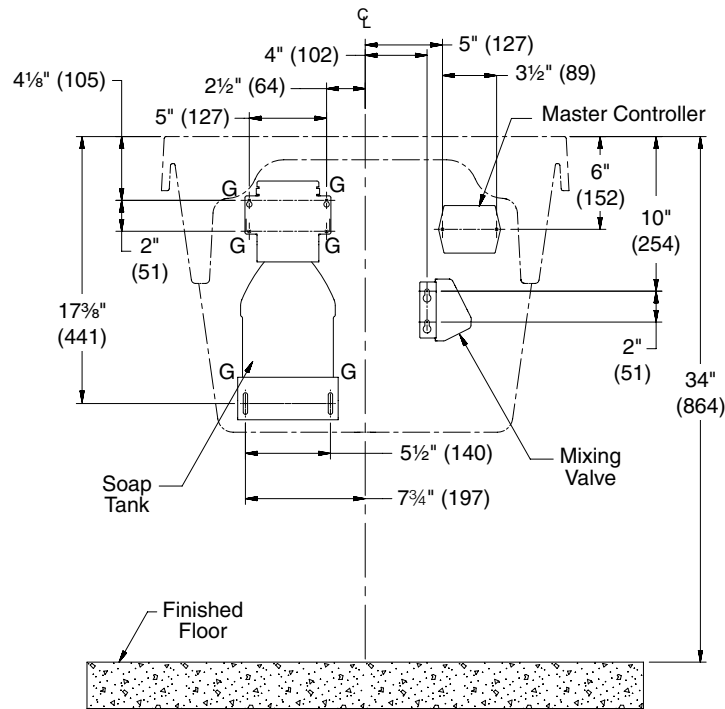
(mm)



Mounting for Standard ADA and TAS height shown.



Combined waste option is not available for use with WBD1 faucet assembly.



CODE	DESCRIPTION	QTY.
G	#10 Anchors for Soap Tank Bracket (100 lb pull out force) Provide sufficient backing behind the mounting locations.	6

1 Bracket Mounting

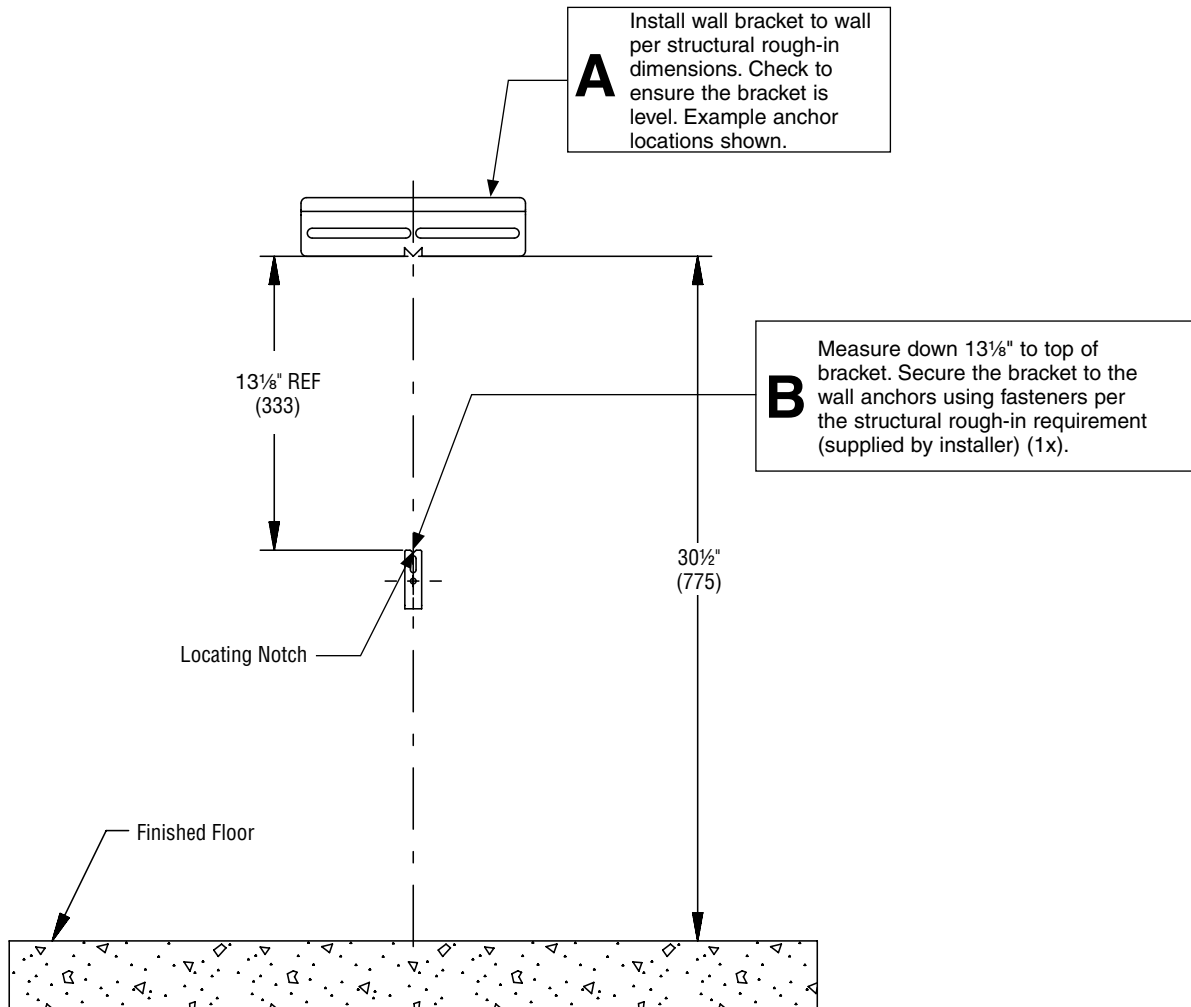
(mm)



Typical installation is shown. It may be necessary to repair the wall after mounting. The fixture may not cover all of the wall modifications.



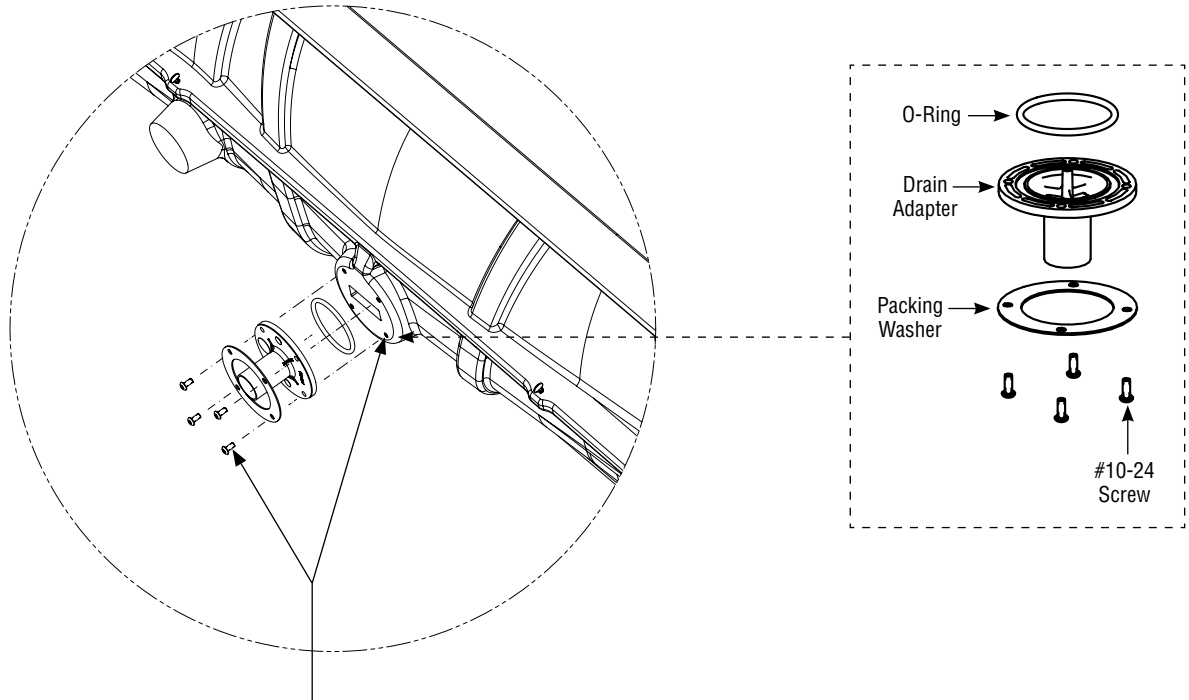
Mounting height per structural rough-in dimensions.



2 Drain Assembly



For ease of drain installation, lay the bowl on its back.



A Assemble the components as shown and thread the four screws through the drain adapter and into the basin inserts. Ensure the screws compress the drain adapter evenly onto the basin.

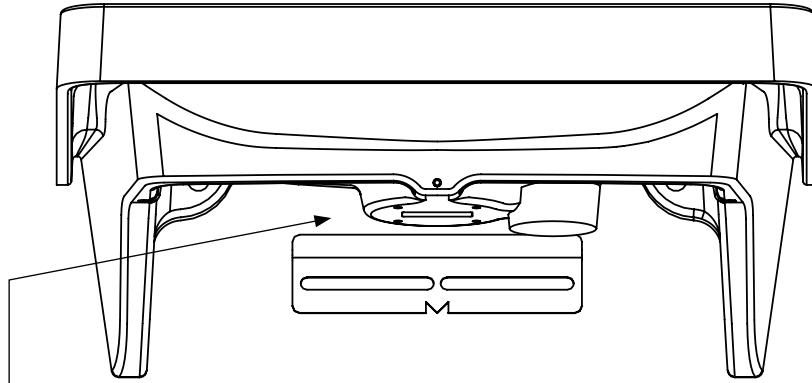
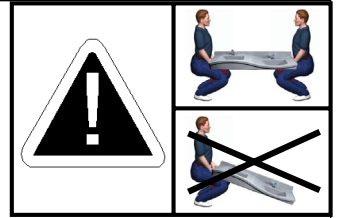
3 Verge Soap & Faucet or WashBar Duo Component Assembly



IMPORTANT: While the bowl is free from the wall, assemble the components for the Verge soap & faucet or WashBar Duo assemblies. Refer to the Verge soap & faucet and WashBar Duo installation instructions.

4 Bowl Mounting (to Frame and Wall)

WARNING! Ensure bowl is level and completely seated in the wall bracket.



A Position bowl above wall bracket. Press firmly on the back of the bowl to seat the bowl flange into the wall bracket lip. Ensure bowl is level.

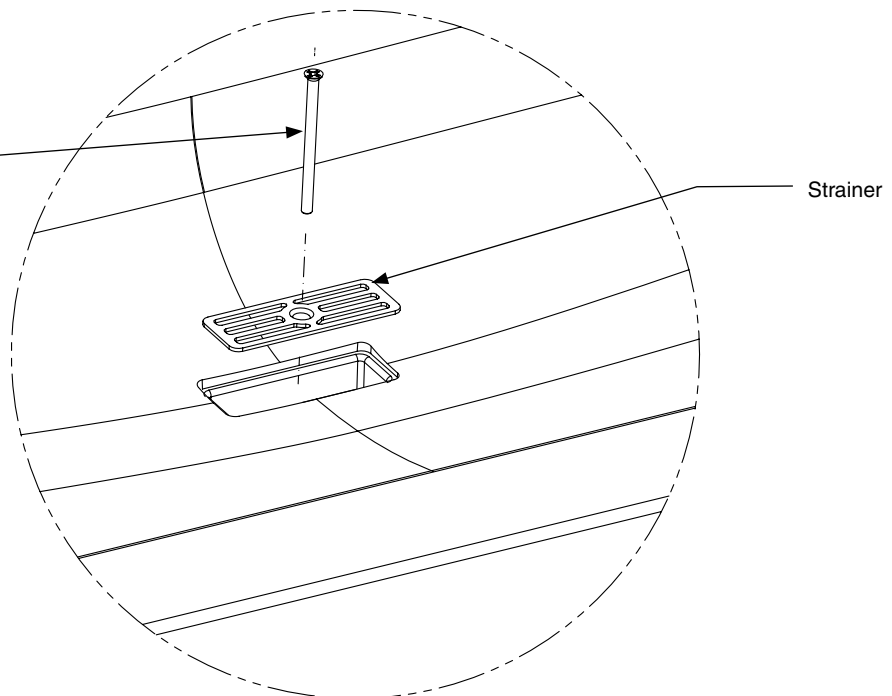
B Secure the bowl to the wall anchors using fasteners per the structural rough-in requirement (supplied by installer).

5 Strainer and P-Trap



Ensure not to overtighten the strainer screw.

A Thread the strainer screw through the strainer and into the stand off on the drain adapter.



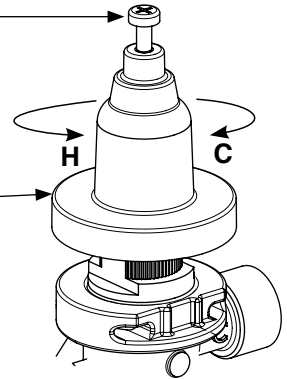
6 Adjust Temperature with Water Running



This valve is NOT factory preset. Upon installation, the temperature of this valve must be checked and adjusted to ensure delivery of a safe water temperature. Water in excess of 110°F (43°C) may cause scalding.

A Loosen Cap Screw about ¼" (4-6 turns) and lift up cover (do not remove).

B Using cover, turn cartridge gently until desired water temperature is reached. Do not turn past stops as this may damage unit. Push cover down and tighten screw.



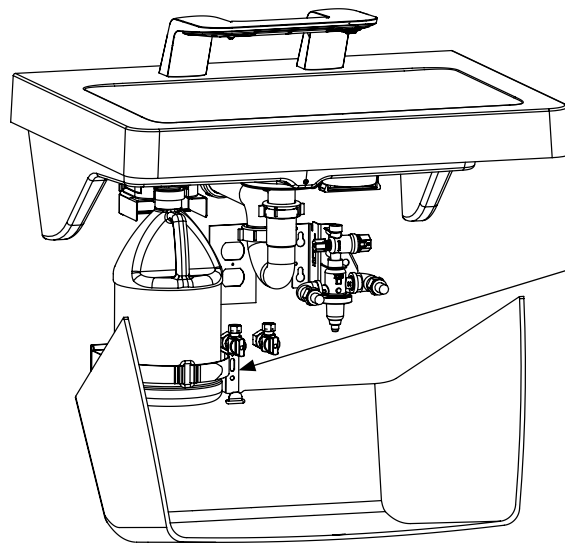
7 Access Panel



Make all connections before installing access panel. Combined waste arms to be cut in field to accommodate rough in location.



Shown with WashBar Duo. Verge Soap and Faucet similar.



A Hang the access panel onto the access panel bracket as shown, and then secure the access panel with the thumb screw provided.

Cleaning and Maintenance for Terreon® (Basin)

Material Description: Terreon is a densified solid surface material composed of bio based resin and is resistant to chemicals, stains, burns and impact. Surface can be easily repaired with everyday cleansers or fine grit abrasives. Because Terreon is a unique cast material, its aggregate flow and distribution, and shades of color can vary from product to product creating natural characteristics.

Routine Cleaning: For regular cleaning, use mild neutral base cleaners.

Stubborn Stains: Remove tough stains with Soft-Scrub® and a green Scotch-Brite® pad or lightly sand in a circular motion with 240 grit wet/dry sandpaper. The finish can then be renewed with a maroon Scotch-Brite pad.

Scratches: Remove scratches with a green Scotch-Brite pad. The finish can then be renewed with a maroon Scotch-Brite pad.

Hard Water Deposits: Remove hard water deposits with a mild solution of vinegar and water. Always rinse the unit thoroughly after cleaning.

Restoring the surface: Use Hope's® Perfect Countertop to refresh and protect the Terreon Solid Surface material. Dark Terreon colors may require additional care and maintenance. For complete instructions on this additional maintenance, visit bradleycorp.com.

Repair Kits: Terreon repair kits are available. Contact your Bradley representative or distributor for part numbers and pricing. Repair kits are made to order and have a shelf life of 30 days.

NOTICE! Do not use strong acid or alkaline chemicals and cleaners to clean Terreon. If these chemicals come in contact with the surface, wipe them off immediately and rinse with soapy water. Avoid contact with harsh chemicals such as paint remover, bleach, acetone, etc. Avoid contact with hot pans and objects.

Cleaning and Maintenance for Stainless Steel

Material Description: Stainless steel is extremely durable, and maintenance is simple and inexpensive. Proper care, particularly under corrosive conditions, is essential. Always start with the simplest solution and work your way toward the more complicated.

Routine cleaning: Daily or as often as needed use a solution of warm water and soap, detergent, or ammonia. Apply the cleaning solution per the manufacturer's instructions and always use a soft cloth or sponge to avoid damaging the finish.

Stubborn Stains: To remove stains from stainless steel use a stainless steel cleaner and polish such as Ball® stainless steel cleaner or a soft abrasive. Always follow the manufacturer's instructions and apply in the same direction as the polish lines.

NOTICE! Never use ordinary steel wool or steel brushes on stainless steel. Always use stainless steel wool or stainless steel brushes.

Fingerprints and Smears: To remove fingerprints or smears use a high quality stainless steel cleaner and polish in accordance with the manufacturer's instructions. Many of these products leave a protective coating that helps prevent future smears and fingerprints.

Grease and Oil: To remove grease and oil use a quality commercial detergent or caustic cleaner. Apply in accordance to the manufacturer's instructions and in the direction of the polish lines.

Precautions: Avoid prolonged contact with chlorides (bleaches, salts), bromides (sanitizing agents), thiocyanates (pesticides, photography chemicals, and some foods), and iodides on stainless steel equipment, especially if acid conditions exist.

NOTICE! Do not permit salty solutions to evaporate and dry on stainless steel.

The appearance of rust streaks on stainless steel leads to the belief that the stainless steel is rusting. Look for the actual source of the rust in some iron or steel particles which may be touching, but not actually a part of the stainless steel structure.

NOTICE! Strongly acidic or caustic cleaners may attack the steel causing a reddish film to appear. The use of these cleaners should be avoided.

AVERTISSEMENT

Couper l'alimentation électrique des prises de courant, puis débrancher tous les appareils électriques avant de procéder à l'installation. L'alimentation électrique doit **IMPÉRATIVEMENT** être coupée jusqu'à la fin de l'installation.

La visserie utilisée par l'installateur doit être adaptée à la nature du mur. Les ancrages muraux doivent avoir une résistance nominale à l'arrachement d'au moins 4,45 kN (1000 lb).

AVIS

S'assurer que toutes les conduites d'arrivée d'eau ont été purgées puis correctement fermées avant de commencer l'installation. La présence de débris dans les conduites peut entraîner un mauvais fonctionnement des vannes.

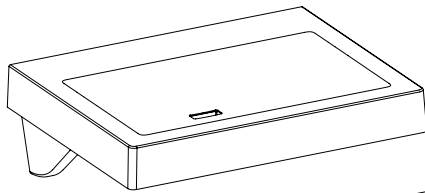
IMPORTANT

Veiller à lire ce manuel en entier pour assurer une installation correcte. Lorsque l'installation est terminée, remettre ce manuel au propriétaire ou au service d'entretien. La mise en conformité et le respect de la réglementation en vigueur relèvent de la responsabilité de l'installateur. Les garanties de produit figurent sous « Products » (Produits) sur notre site Web à l'adresse bradleycorp.com.

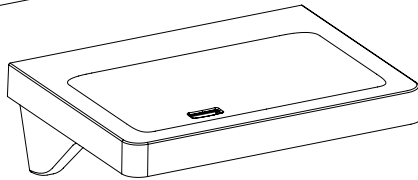
Déballer les pièces et s'assurer qu'elles sont toutes présentes avant de jeter les emballages. Le cas échéant, ne pas commencer l'installation avant d'avoir obtenu toutes les pièces manquantes.

Pour les poses de hauteur standard, ne pas dépasser la distance conseillée de 851 mm (33,5 po) entre le rebord du lavabo et le sol fini.

Composants

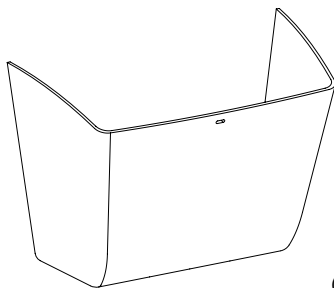


GLX-1
(187-365)
(selon la couleur)



TLX-1
(187-364)
(selon la couleur)

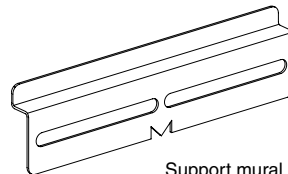
Vasque
Se renseigner sur le choix de couleurs
auprès du représentant Bradley.



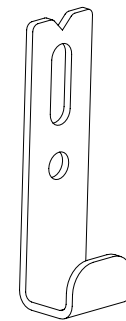
Panneau
d'accès
(186-2273)



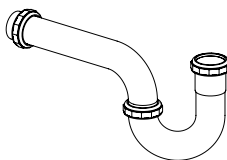
Vis à oreille n° 10, pour
panneau d'accès
(160-536)



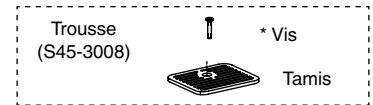
Support mural
(140-1153)



Support de panneau
d'accès
(140-1172)



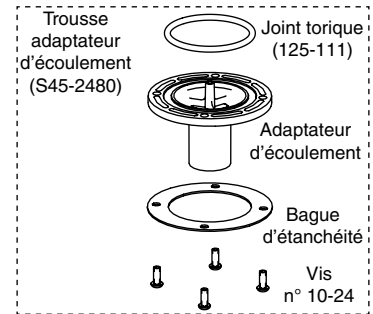
Option d'écoulement individuel
Siphon en P chromé (S29-094)
Siphon en P en plastique (269-1697)



Trousse
(S45-3008)

* Vis

Tamis



Trousse
adaptateur
d'écoulement
(S45-2480)

Joint torique
(125-111)

Adaptateur
d'écoulement

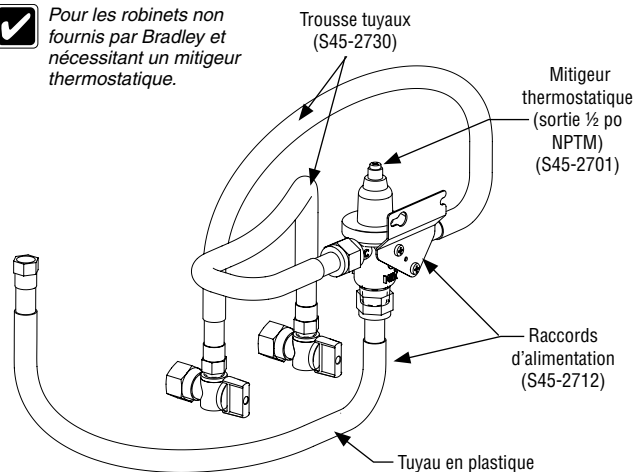
Bague
d'étanchéité

Vis
n° 10-24

Raccordements d'alimentation à mitigeur thermostatique



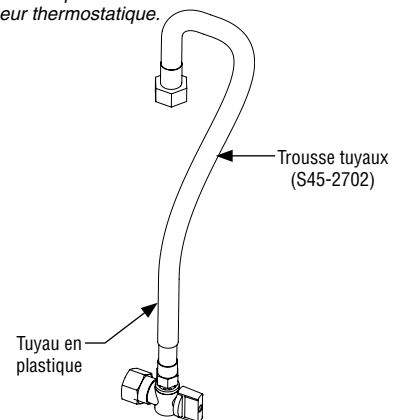
Pour les robinets non
fournis par Bradley et
nécessitant un mitigeur
thermostatique.



Raccordements d'alimentation à mitigeur thermostatique et tempérée



Deux (2) raccordements
nécessaires pour le
mitigeur thermostatique.



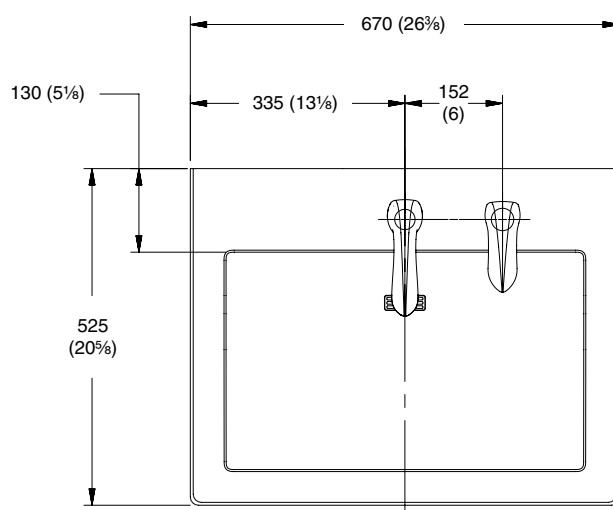
Fournitures requises

- (4) Vis de $\frac{3}{8}$ po et chevilles d'ancrage (résistance nominale à l'arrachement d'au moins 4,45 kN/1000 lb)
- (4) Vis de $\frac{1}{4}$ po (2 pour la vasque, 2 pour le support)
- Tubulure(s) d'arrivée d'eau chaude/froide ou tempérée de $\frac{1}{2}$ po
- Tubulure(s) d'écoulement de $1\frac{1}{2}$ po NPT
- FACULTATIF : (3) Prises électriques de 110 V à disjoncteur différentiel (GFCI) pour le branchement des transformateurs 100–120 V c.a.
- Filtre(s) à tamis selon les besoins, si non fourni(s) avec le(s) robinet(s)

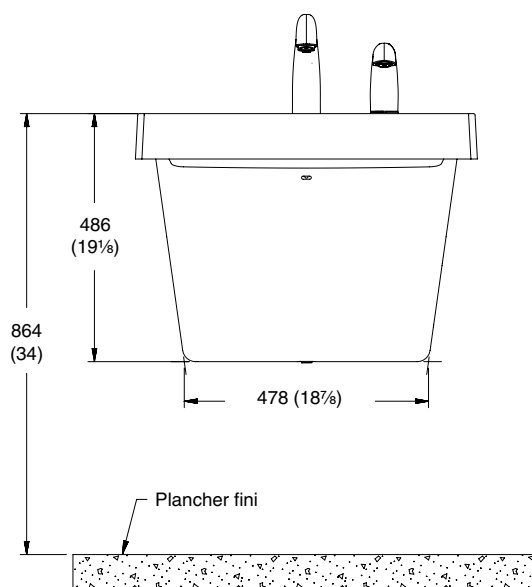
Dimensions

mm (po)

Vue de dessus – GLX-1 (illustré avec robinet et distributeur de savon Verge™)



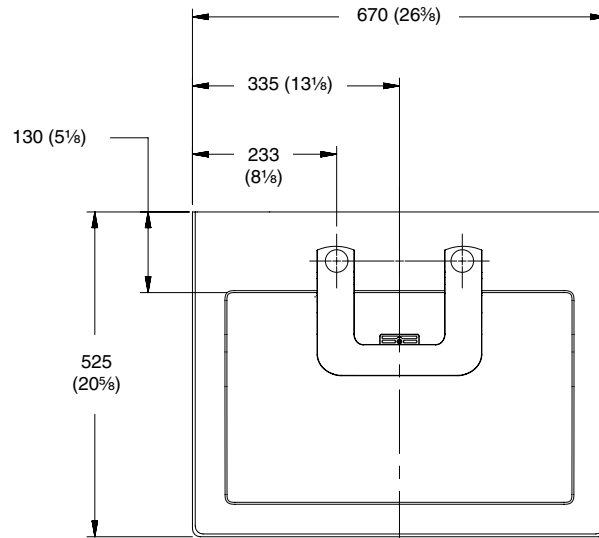
Vue de face – GLX-1 (illustré avec robinet et distributeur de savon Verge™)



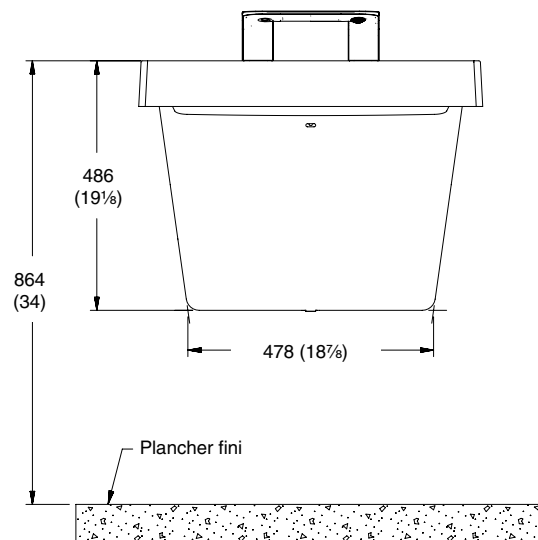
Dimensions

mm (po)

Vue de dessus – GLX-1 (illustré avec WBD1)



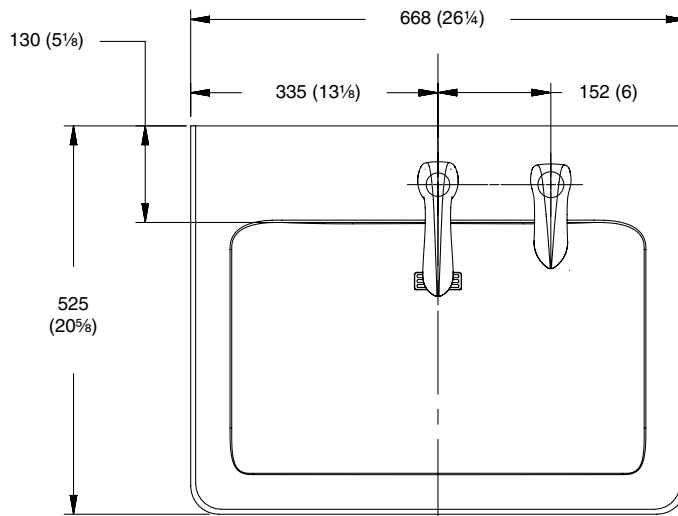
Vue de face – GLX-1 (illustré avec WBD1)



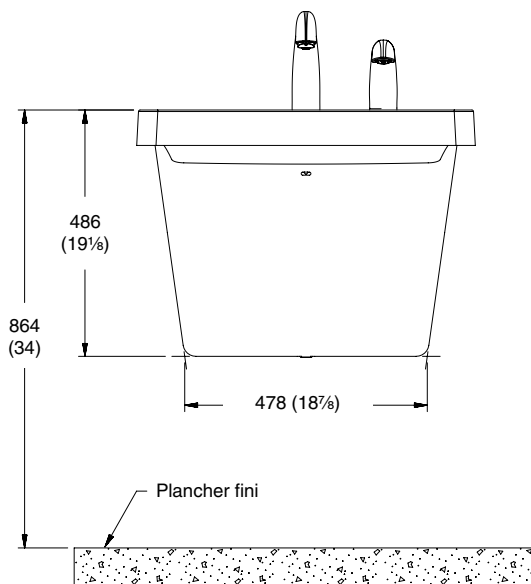
Dimensions

mm (po)

Vue de dessus – TLX-1 (illustré avec robinet et distributeur de savon Verge)



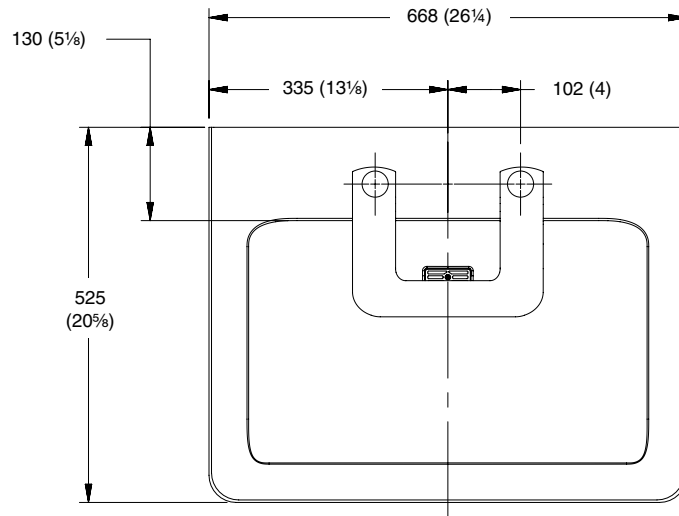
Vue de face – TLX-1 (illustré avec robinet et distributeur de savon Verge)



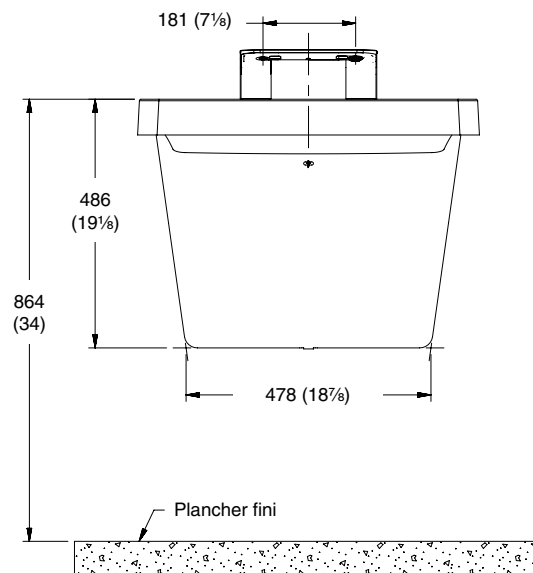
Dimensions

mm (po)

Vue de dessus – TLX-1 (illustré avec WBD1)



Vue de face – TLX-1 (illustré avec WBD1)

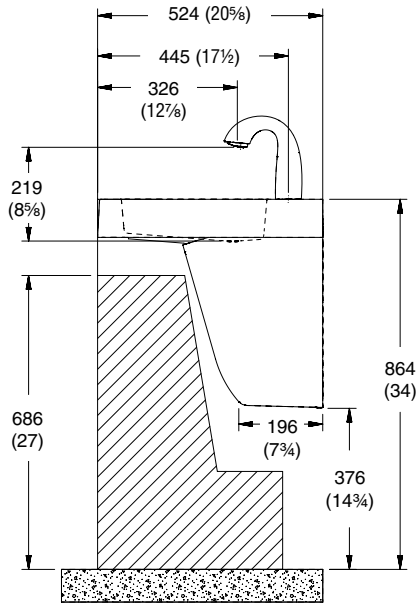


Dimensions

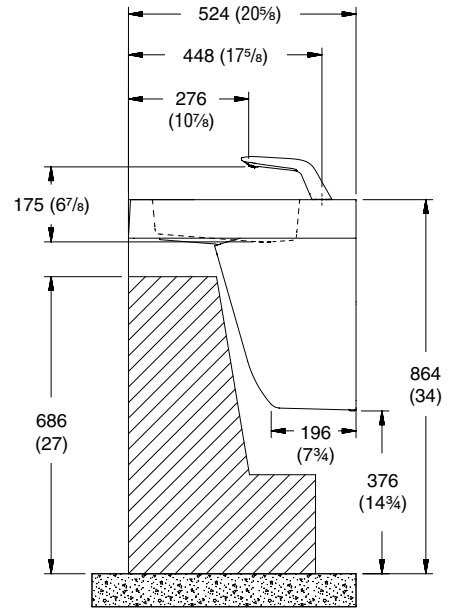
mm (po)

Vue de côté – GLX-1

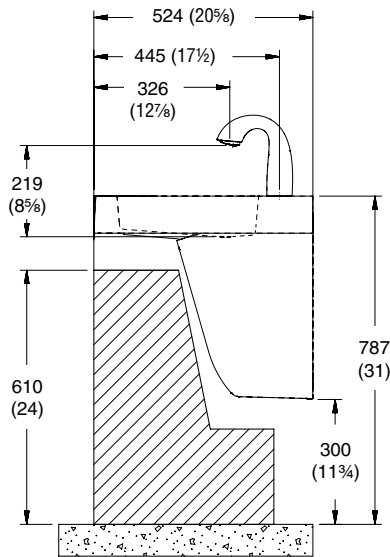
Hauteur standard (ADA) – robinet Verge



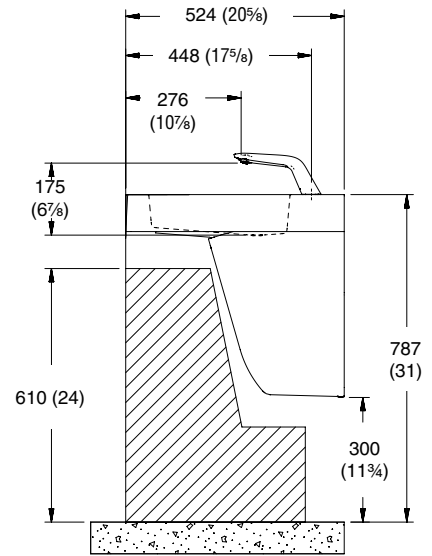
Hauteur standard (ADA) – WBD1



Hauteur enfant (ADA) – robinet Verge



Hauteur enfant (ADA) – WBD1



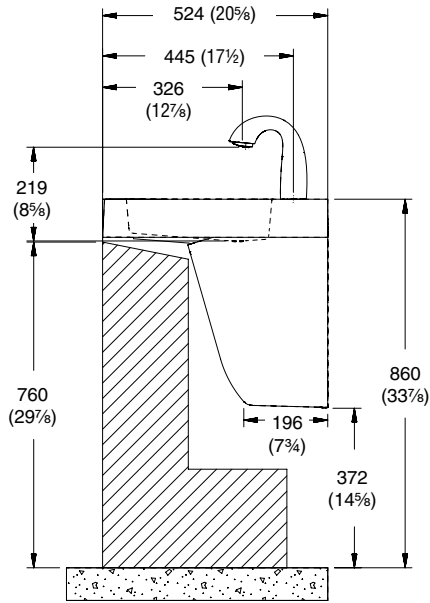
Hauteur du rebord	Ajustements de hauteur	Type d'appareil	Remarques
864 mm (34 po)	Pas d'ajustement	Standard ADA et TAS	Une vasque au minimum doit répondre aux exigences dimensionnelles et présenter la portée et les dégagements pour genoux et pieds qui conviennent
787 mm (31 po)	*Retrancher 76 mm (3 po)	Enfant ADA et TAS	Une vasque au minimum doit répondre aux exigences dimensionnelles et présenter la portée et les dégagements pour genoux et pieds qui conviennent
660 mm (26 po)	*Retrancher 203 mm (8 po)	Junior	Installations pour jeunes enfants non soumises aux normes ADA.

Dimensions

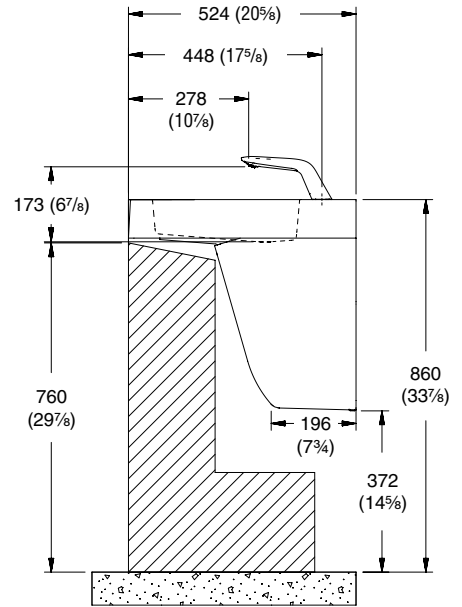
mm (po)

Vue de côté – GLX-1

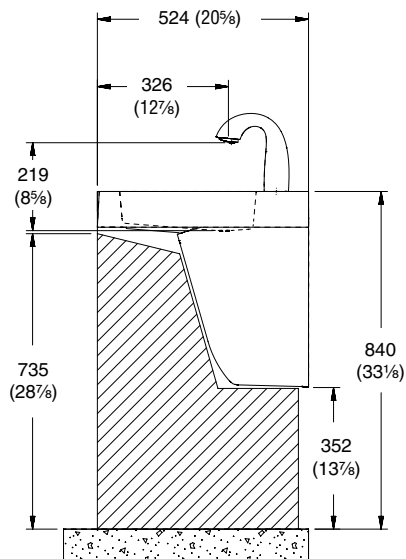
Hauteur CSA – robinet Verge



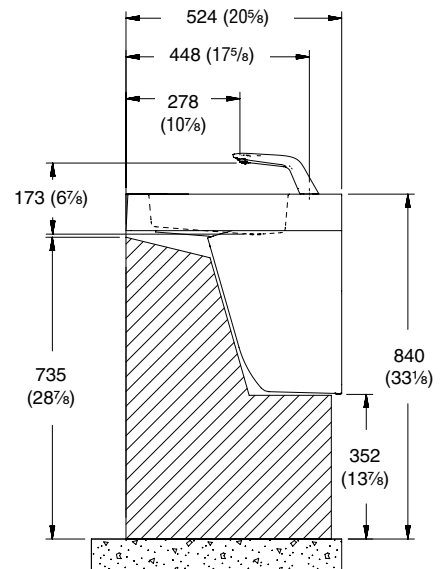
Hauteur CSA – WBD1



Hauteur OBC – robinet Verge



Hauteur OBC – WBD1

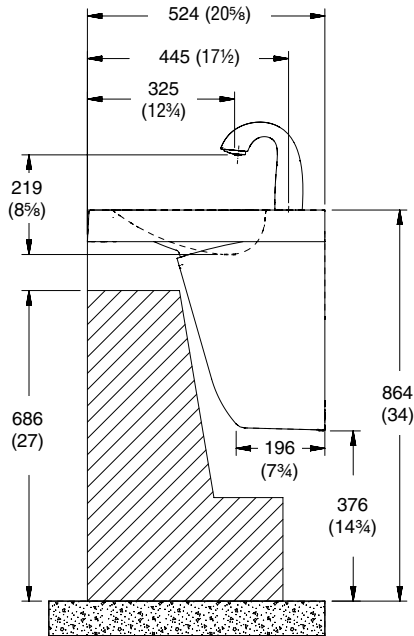


Dimensions

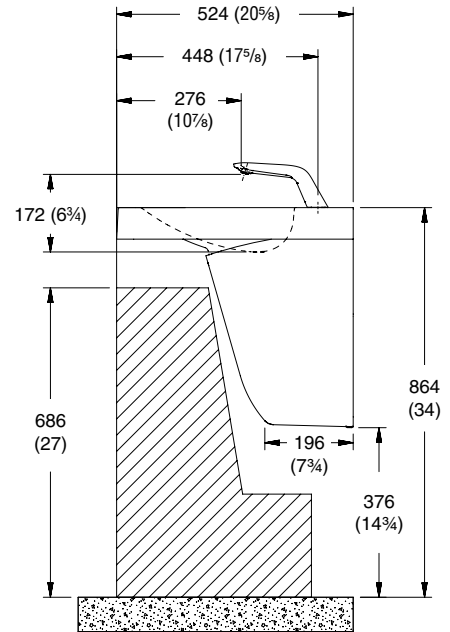
mm (po)

Vue de côté – TLX-1

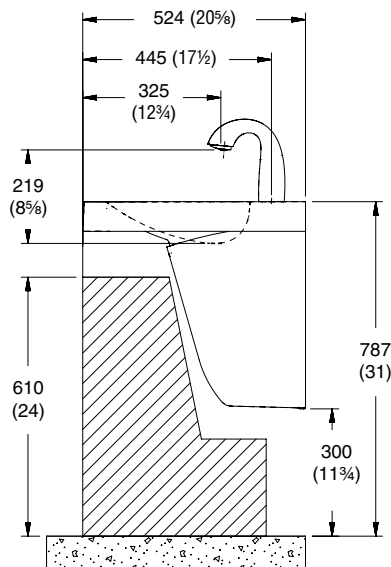
Hauteur standard (ADA) – robinet Verge



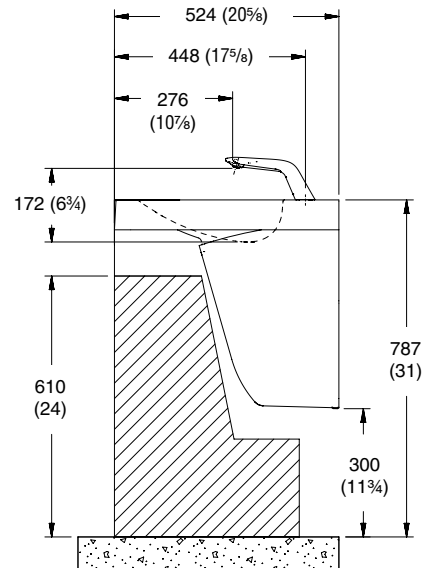
Hauteur standard (ADA) – WBD1



Hauteur enfant (ADA) – robinet Verge



Hauteur enfant (ADA) – WBD1



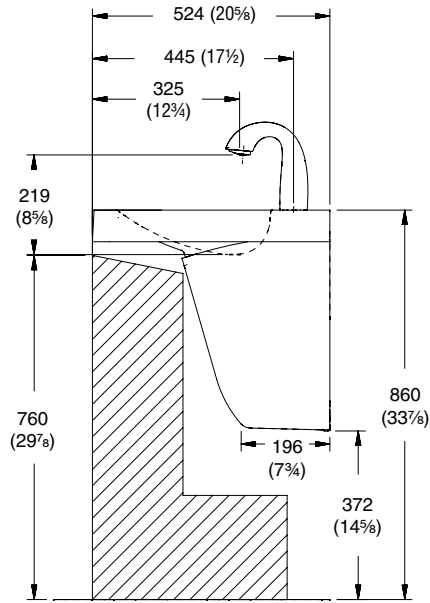
Hauteur du rebord	Ajustements de hauteur	Type d'appareil	Remarques
864 mm (34 po)	Pas d'ajustement	Standard ADA et TAS	Une vasque au minimum doit répondre aux exigences dimensionnelles et présenter la portée et les dégagements pour genoux et pieds qui conviennent
787 mm (31 po)	*Retrancher 76 mm (3 po)	Enfant ADA et TAS	Une vasque au minimum doit répondre aux exigences dimensionnelles et présenter la portée et les dégagements pour genoux et pieds qui conviennent
660 mm (26 po)	*Retrancher 203 mm (8 po)	Junior	Installations pour jeunes enfants non soumises aux normes ADA.

Dimensions

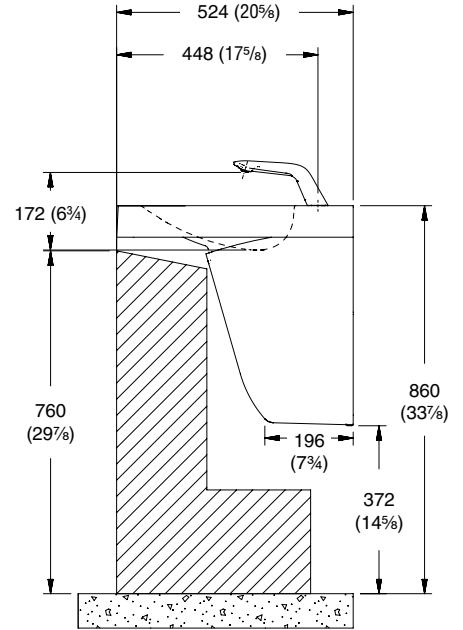
mm (po)

Vue de côté – TLX-1

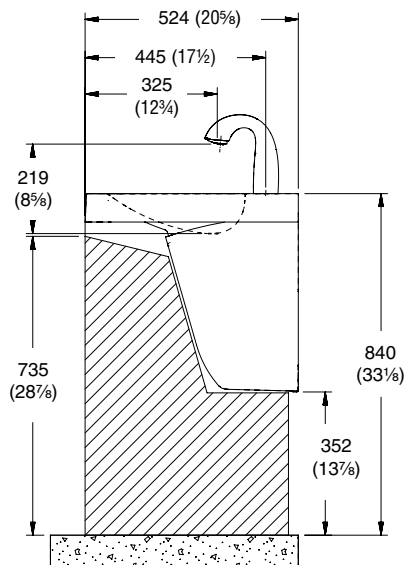
Hauteur CSA – robinet Verge



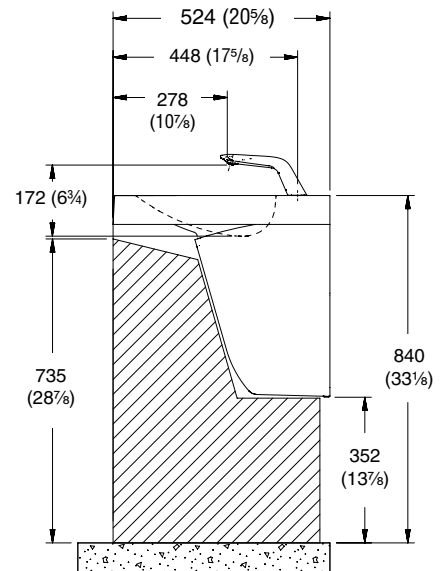
Hauteur CSA – WBD1



Hauteur OBC – robinet Verge



Hauteur OBC – WBD1



Poses préliminaires, structure – GLX et TLX

mm (po)

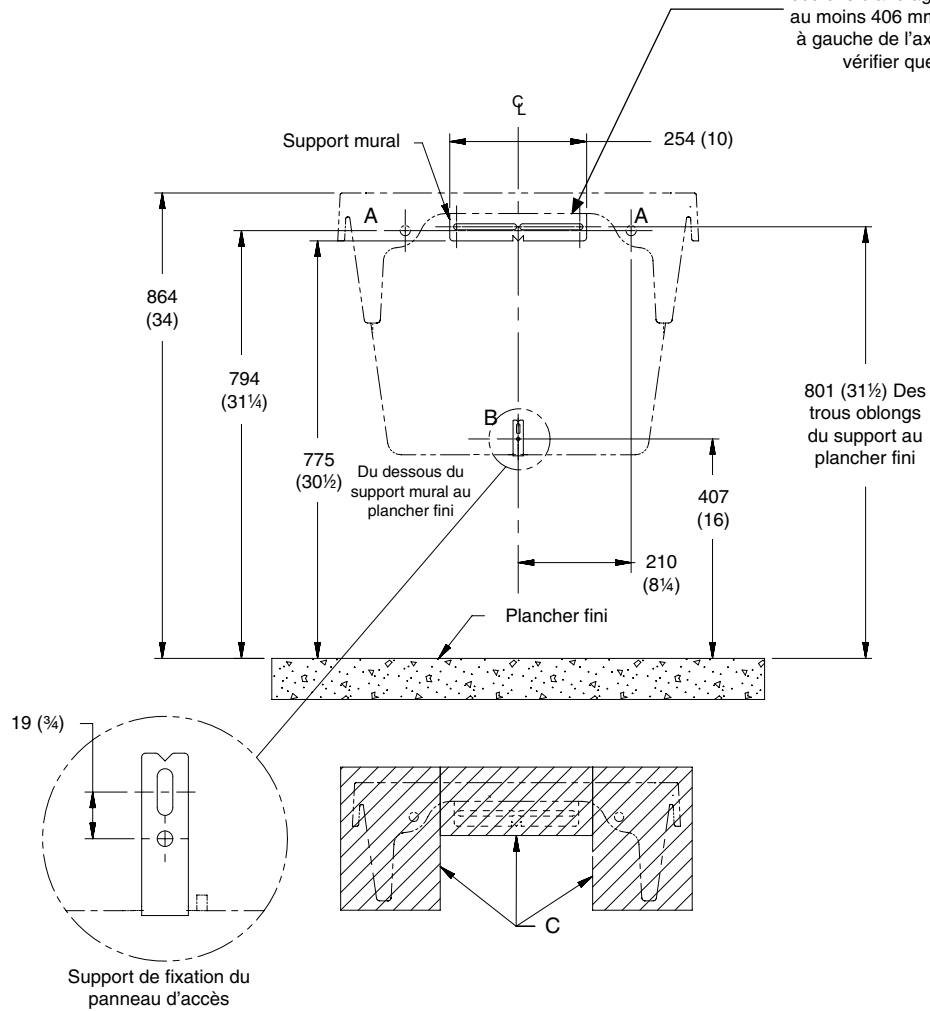


Installation à hauteur standard ADA et TAS illustrée.



Les zones hachurées nécessitent un renfort suffisant conforme au code du bâtiment en vigueur.

Attacher le support au mur avec au moins deux (2) boulons d'ancrage de 3/8 po à gauche de l'axe médian (C/L) et au moins deux (2) boulons d'ancrage de 3/8 po à droite de l'axe. Les (2) boulons d'ancrage à droite de l'axe doivent être à au moins 406 mm (16 po) des boulons terminés à gauche de l'axe. Une fois le montage terminé, vérifier que le support est de niveau.

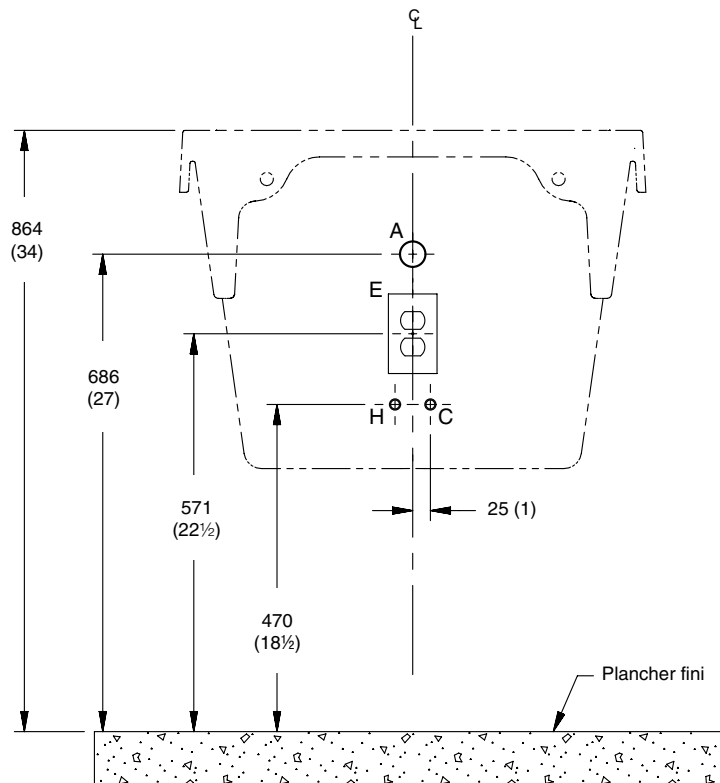


CODE	DESCRIPTION	QTÉ
A	Poser une (1) cheville d'ancrage de 3/8 po d'une résistance à l'arrachement d'au moins 4,45 kN (1000 lb) conformément aux codes en vigueur aux emplacements indiqués	2
B	Poser deux (2) chevilles d'ancrage par support, d'une résistance à l'arrachement d'au moins 0,44 kN (100 lb) conformément aux codes en vigueur aux emplacements indiqués	2
C	Prévoir une structure d'appui conforme au code du bâtiment en vigueur.	2

HAUTEUR DU REBORD	AJUSTEMENTS DE HAUTEUR	TYPE D'APPAREIL	NOTES
864 mm (34 po)	Pas d'ajustement	Standard ADA et TAS	Une vasque au minimum doit répondre aux exigences dimensionnelles et présenter la portée et les dégagements pour genoux et pieds qui conviennent
787 mm (31 po)	*Retrancher 76 mm (3 po)	Enfant ADA et TAS	Une vasque au minimum doit répondre aux exigences dimensionnelles et présenter la portée et les dégagements pour genoux et pieds qui conviennent
660 mm (26 po)	*Retrancher 203 mm (8 po)	Junior	Installations pour jeunes enfants non soumises aux normes ADA.

Poses préliminaires, plomberie et électricité – GLX et TLX

mm (po)

*Installation à hauteur standard ADA et TAS illustrée.**Les prises électriques sont illustrées ci-dessous à des emplacements possibles. Voir les détails sur l'alimentation électrique et les prises dans la fiche technique.*

CODE	DESCRIPTION	QTÉ
A	Écoulement 1½ po NPT, tubulure à 51 mm (2 po) du mur	1
H, C	Arrivées d'eau chaude/froide ½ po nominal (comp. dia. ext. ⅝ po), tubulure à 51 mm (2 po) du mur	1
E	Prise électrique de 110 V à disjoncteur différentiel (GFCI) (robinet et distributeur de savon à c.a. uniquement)	1

Poses préliminaires, plomberie et électricité – robinet et distributeur de savon Verge

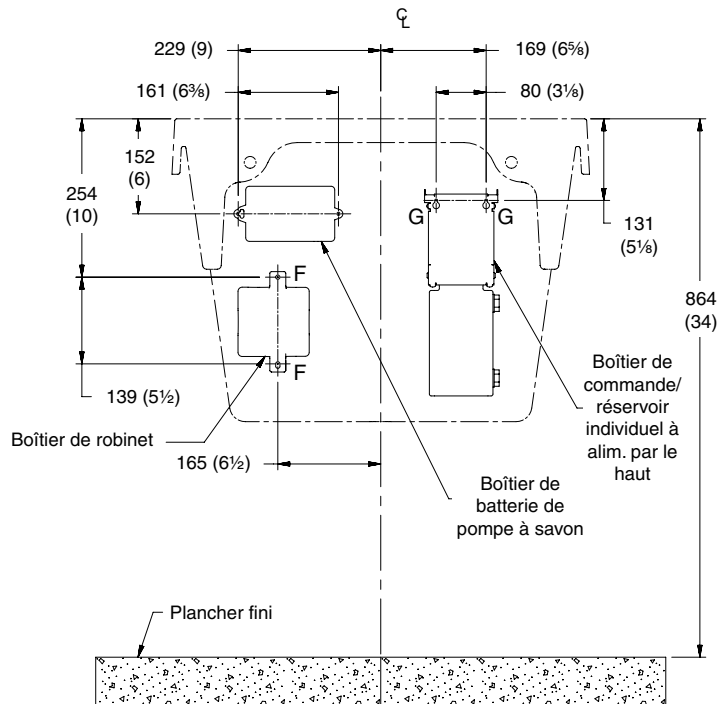
mm (po)



Installation à hauteur standard ADA et TAS illustrée.



Les prises électriques sont illustrées ci-dessous à des emplacements possibles. Voir les détails sur l'alimentation électrique et les prises dans la fiche technique.



CODE	DESCRIPTION	QTÉ
F	Cheilles d'ancrage n 10 pour la pose du boîtier de commande de robinet Prévoir un renfort suffisant derrière les emplacements de fixation.	2
G	Cheilles d'ancrage n° 10 pour le support du réservoir de savon (résistance à l'arrachement 0,44 kN/100 lb) Prévoir un renfort suffisant derrière les emplacements de fixation.	2

Poses préliminaires, plomberie et électricité – WBD1

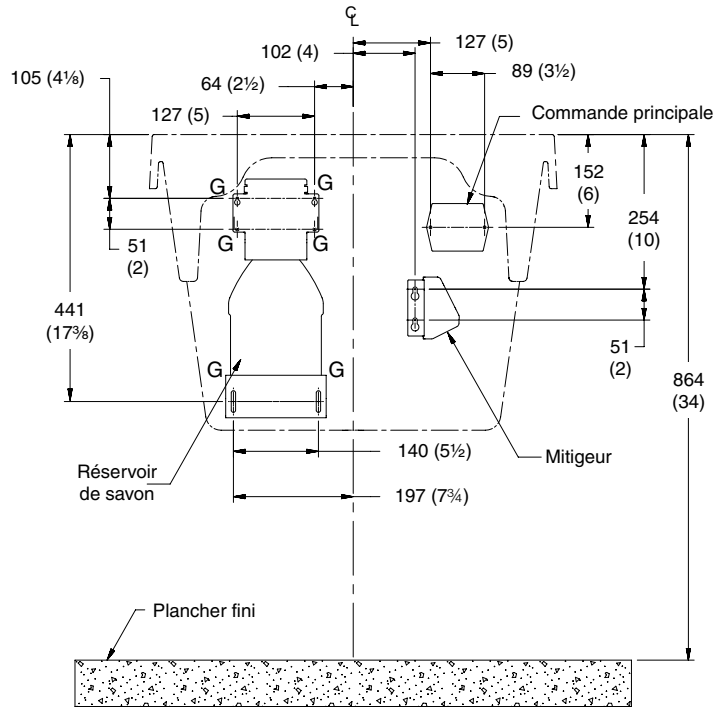
mm (po)



Installation à hauteur standard ADA et TAS illustrée.



Option d'écoulement combiné proposée avec le système de robinet WBD1.



CODE	DESCRIPTION	QTÉ
G	Cheilles d'ancrage n° 10 pour le support du réservoir de savon (résistance à l'arrachement 0,44 kN/100 lb) Prévoir un renfort suffisant derrière les emplacements de fixation.	6

1 Fixation du support

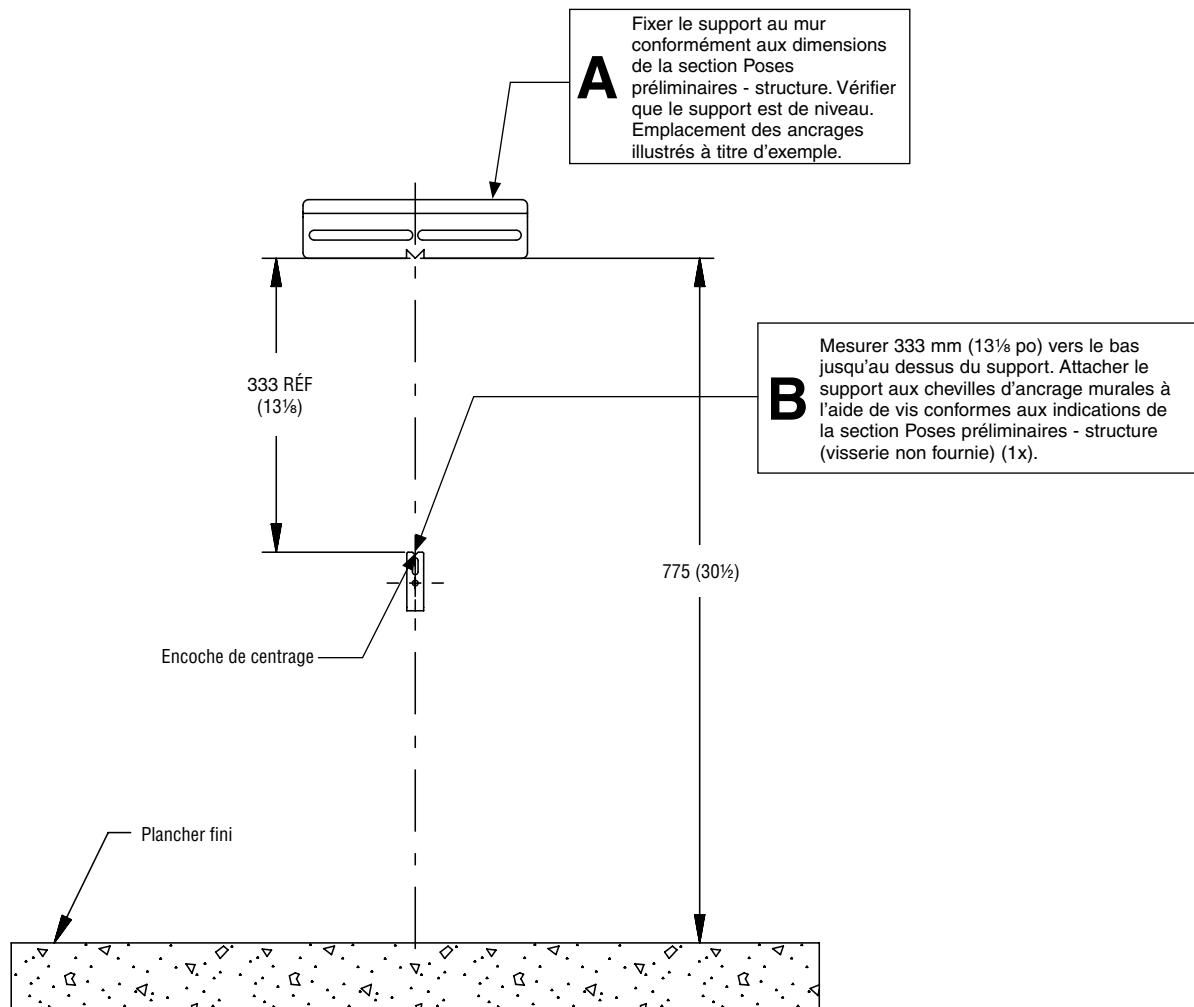
mm (po)



Installation typique représentée. Il peut être nécessaire de réparer le mur après la pose. Il est possible que l'appareil ne masque pas toutes les modifications apportées au mur.



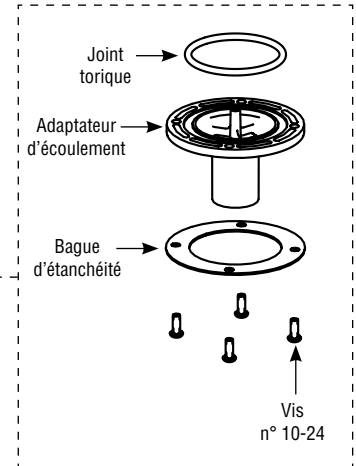
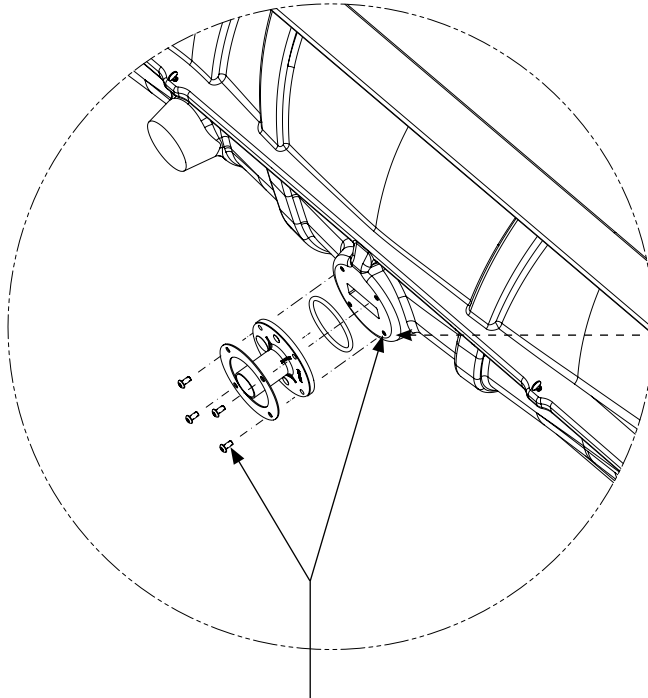
Hauteur de montage selon les dimensions de la section Poses préliminaires - structure.



2 Assemblage de l'écoulement



Pour faciliter l'installation de l'écoulement, poser la vasque sur le dos.



A Assembler les pièces comme sur l'illustration et visser les quatre vis à travers l'adaptateur d'écoulement et dans les inserts de la vasque. S'assurer que les vis compriment l'adaptateur d'écoulement uniformément sur la vasque.

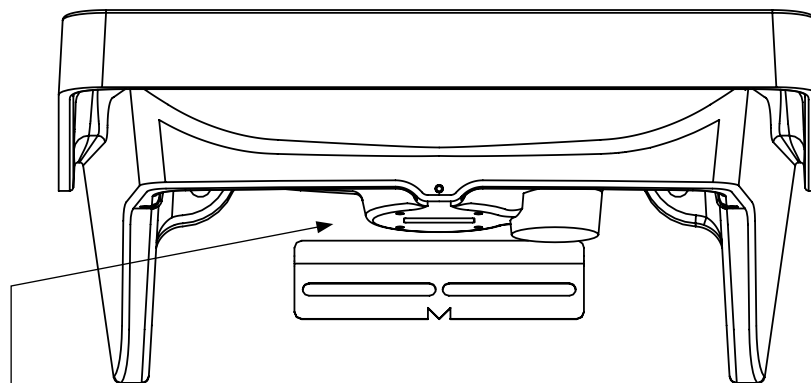
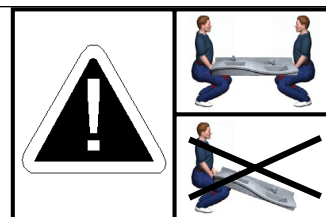
3 Assemblage des composants Verge eau et savon ou WashBar Duo



IMPORTANT : Avant d'attacher la vasque au mur, assembler les composants du système Verge eau et savon ou WashBar Duo. Voir les instructions d'installation du système Verge eau et savon ou WashBar Duo.

4 Fixation de la vasque (au bâti et au mur)

AVERTISSEMENT! S'assurer que la vasque est de niveau et complètement engagée dans le support mural.



A Placer la vasque au-dessus du support mural. Appuyer fermement sur l'arrière de la vasque pour engager la bride de la vasque à fond dans la lèvre du support mural. S'assurer que la vasque est de niveau.

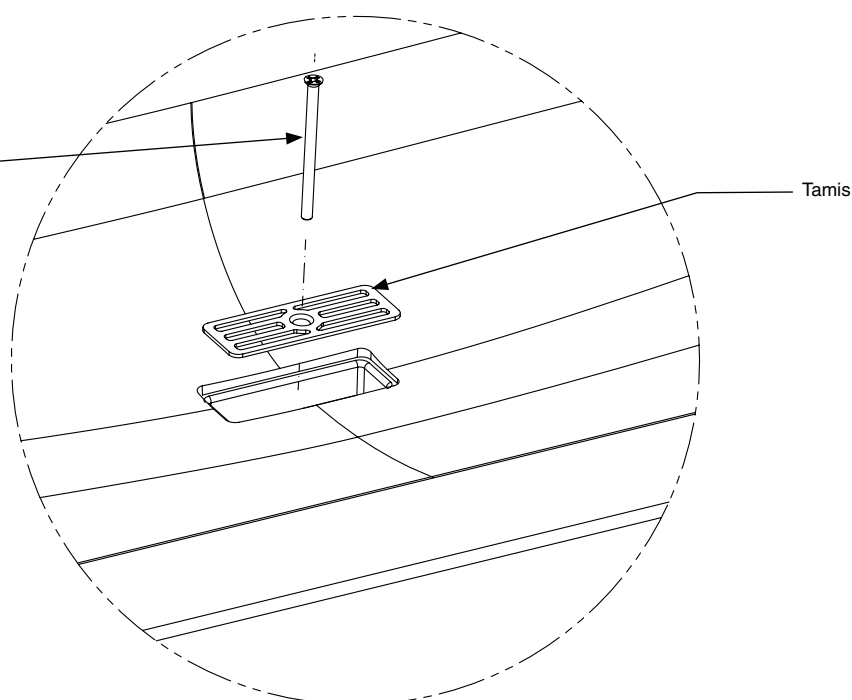
B Attacher la vasque aux chevilles d'ancrage murales à l'aide de vis conformes aux indications de la section Poses préliminaires - structure (visserie non fournie).

5 Tamis et siphon en P



Veiller à ne pas trop serrer la vis du tamis.

A Engager la vis du tamis à travers le tamis et dans l'entretoise sur l'adaptateur d'écoulement.



6 Faire couler l'eau pour régler la température



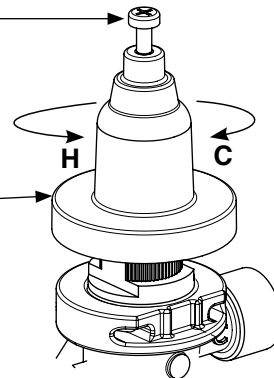
Ce mitigeur n'est PAS pré réglé à l'usine. Lors de l'installation, la température du mitigeur doit être vérifiée et ajustée pour assurer une fourniture de l'eau à une température sans danger. Une eau à plus de 43 °C (110 °F) peut provoquer des brûlures.

A

Desserrer la vis à tête de 6 mm (1/4 po) environ (4 à 6 tours) et soulever le capuchon (ne pas l'enlever).

B

À l'aide du capuchon, tourner la cartouche avec précaution jusqu'à obtenir la température d'eau souhaitée. Pour ne pas endommager le mécanisme, ne pas tourner au-delà des butées. Renforcer le capuchon et serrer la vis.



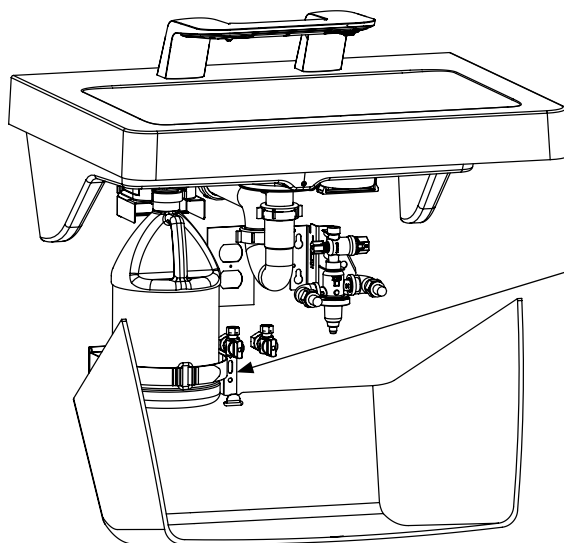
7 Panneau d'accès



Effectuer tous les raccordements avant de monter le panneau d'accès. Branches de l'écoulement combiné à couper sur le chantier en fonction de l'emplacement du raccordement.



Illustré avec WashBar Duo. Système Verge eau et savon semblable.



A

Accrocher le panneau d'accès au support de panneau d'accès comme sur l'illustration, puis l'attacher à l'aide de la vis à oreille prévue à cet effet.

Nettoyage et entretien du Terreon® (vasque)

Description du matériau : Le Terreon est un matériau de surface massif densifié composé de résine d'origine biologique et résistant aux produits chimiques, aux taches, aux brûlures et aux chocs. La surface est facilement réparable à l'aide de produits nettoyants ordinaires ou d'abrasifs à grains fins. Comme le Terreon est un matériau moulé unique, l'écoulement et la répartition de son granulat et ses tons de couleur peuvent varier d'un produit à l'autre, contribuant à son apparence naturelle.

Nettoyage courant : Pour le nettoyage normal, utiliser des produits nettoyants à base neutre douce.

Taches résistantes : Éliminer les taches avec du produit Soft-Scrub® et un tampon Scotch-Brite® vert ou poncer légèrement d'un mouvement circulaire avec du papier de verre mouillé/sec de grain 240. La finition peut ensuite être restaurée avec un tampon Scotch-Brite marron.

Rayures : Éliminer les rayures avec un tampon Scotch-Brite vert. La finition peut ensuite être restaurée avec un tampon Scotch-Brite marron.

Dépôts calcaires : Éliminer les dépôts calcaires avec une solution diluée de vinaigre et d'eau. Toujours rincer l'appareil avec soin après tout nettoyage.

Restauration de la surface : Utiliser le produit Hope's® Perfect Countertop pour rafraîchir et protéger la surface de Terreon. Les couleurs Terreon foncées peuvent nécessiter un entretien et des soins supplémentaires. Voir les instructions complètes sur cet entretien supplémentaire à bradleycorp.com.

Trousses de réparation : Des nécessaires de réparation Terreon sont disponibles. S'adresser au représentant ou distributeur Bradley pour connaître les numéros de référence et les prix. Les trousse de réparation sont préparées sur commande et ont une durée de conservation de 30 jours.

AVIS! Ne pas utiliser de produits nettoyants et détergents fortement acides ou alcalins pour nettoyer le Terreon. Si de tels produits viennent au contact de la surface, essuyer immédiatement et rincer à l'eau savonneuse. Éviter le contact avec des substances corrosives telles que du décapant à peinture, de l'eau de Javel, de l'acétone, etc. Éviter le contact avec des casseroles et autres objets chauds.

Nettoyage et entretien de l'acier inoxydable

Description du matériau : L'acier inoxydable est extrêmement durable et son entretien est simple et peu coûteux. Il est essentiel de l'entretenir correctement, en particulier sous des conditions corrosives. Toujours commencer par la solution la plus simple et passer progressivement aux solutions les plus complexes.

Nettoyage courant : Chaque jour ou aussi souvent que nécessaire, utiliser une solution d'eau tiède et de savon, de détergent ou d'ammoniac. Appliquer la solution nettoyante conformément aux instructions du fabricant et toujours utiliser un chiffon doux ou une éponge pour éviter d'endommager la finition.

Taches résistantes : Pour éliminer les taches de l'acier inoxydable, utiliser un produit nettoyant et lustrant pour acier inoxydable de type Ball® ou un abrasif doux. Toujours suivre les instructions du fabricant et appliquer dans le sens des lignes de polissage.

AVIS! Ne jamais utiliser de paille de fer ordinaire ni de brosse métallique sur l'acier inoxydable. Toujours utiliser de la laine d'acier inoxydable ou une brosse en acier inoxydable.

Empreintes et traces de doigt : Pour éliminer les empreintes et traces de doigt, utiliser un produit nettoyant et lustrant de haute qualité pour acier inoxydable conformément aux instructions du fabricant. Nombre de ces produits laissent une couche protectrice afin d'éviter de futures empreintes et traces de doigt.

Graisse et huile : Pour éliminer la graisse et l'huile, utiliser un détergent commercial ou nettoyant caustique de qualité. Appliquer conformément aux indications du fabricant et dans le sens des lignes de polissage.

Précautions : Éviter le contact prolongé avec des chlorures (agents de blanchiment, sels), bromures (agents assainissants), thiocyanates (pesticides, produits chimiques pour photographie et certains aliments) et iodures sur le matériel en acier inoxydable, en particulier sous des conditions acides.

AVIS! Ne pas laisser de solution salée s'évaporer et sécher sur l'acier inoxydable.

L'apparition de traînées de rouille sur l'acier inoxydable peut donner à croire que l'acier inoxydable est en train de rouiller. Rechercher la source réelle de la rouille parmi des pièces en fer ou en acier pouvant être au contact, mais sans en faire partie, de la structure en acier inoxydable.

AVIS! Les produits nettoyants fortement acides ou caustiques peuvent attaquer l'acier et provoquer l'apparition d'une pellicule rougeâtre. Éviter d'utiliser ces produits.

ADVERTENCIA

CORTE la energía eléctrica de los tomacorrientes y luego desconecte todas las unidades eléctricas antes de realizar la instalación. La energía eléctrica **DEBE** permanecer cortada hasta que finalice la instalación.

Las piezas metálicas del instalador deben ser las adecuadas para la construcción de la pared. Los anclajes de la pared deben tener una clasificación de extracción mínima de 454 kg (1000 lb).

AVISO

Asegúrese de purgar todas las tuberías de suministro de agua y de cerrarlas completamente antes de comenzar la instalación. Los residuos acumulados en las tuberías de suministro pueden provocar defectos en el funcionamiento de las válvulas.

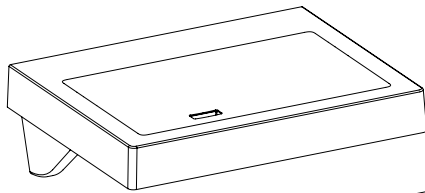
IMPORTANTE

Lea este manual de instalación en su totalidad para garantizar una instalación adecuada. Al completar la instalación, entregue este manual al propietario o al Departamento de Mantenimiento. Es responsabilidad del instalador cumplir cabalmente los códigos y las ordenanzas locales. Las garantías del producto se pueden encontrar en la sección "Products" (Productos) de nuestro sitio web en bradleycorp.com.

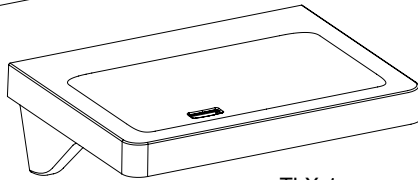
Saque las piezas del embalaje y asegúrese de haberlas sacado todas antes de desecharlo. Si falta alguna pieza, no comience la instalación hasta conseguirla.

Para montaje en altura estándar, no exceda la distancia recomendada de 851 mm (33,5") desde el borde del accesorio hasta el piso terminado.

Componentes



GLX-1
(187-365)
(depende del color)

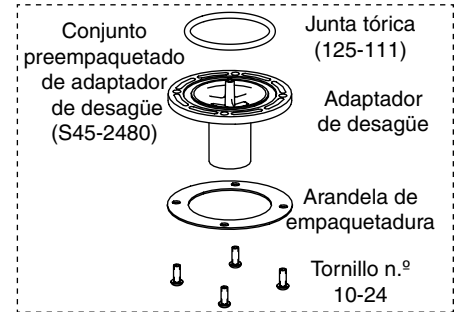


TLX-1
(187-364)
(depende del color)

Palangana
Comuníquese con su representante de Bradley para conocer las opciones de color.



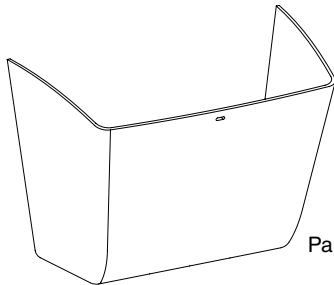
Conjunto preempaquetado (S45-3008) *Tornillo Filtro



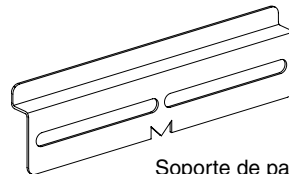
Conjunto preempaquetado de adaptador de desagüe (S45-2480) Junta tórica (125-111) Adaptador de desagüe Arandela de empaquetadura Tornillo n.º 10-24



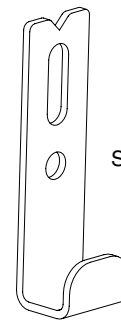
Tornillo de aletas del panel de acceso n.º 10 (160-536)



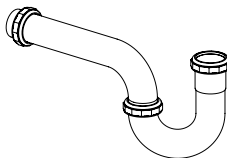
Panel de acceso (186-2273)



Soporte de pared (140-1153)



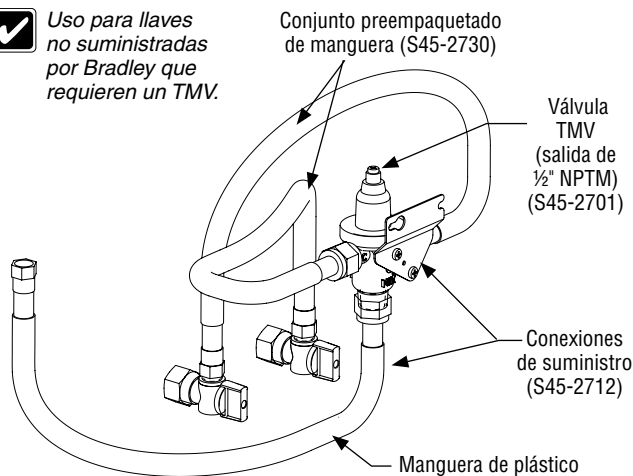
Soporte del panel de acceso (140-1172)



Opción de tuberías empotradas individuales
Sifón en P de cromo (S29-094)
Sifón en P de plástico (269-1697)

Conexiones de suministro de TMV

Usa para llaves no suministradas por Bradley que requieren un TMV.



Conjunto preempaquetado de manguera (S45-2730)

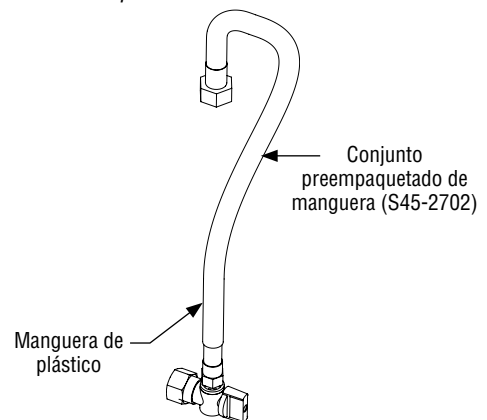
Válvula TMV (salida de 1/2" NPTM) (S45-2701)

Conexiones de suministro (S45-2712)

Manguera de plástico

Conexiones para suministro temperado y TMV

Se requieren dos (2) conexiones para TMV.



Conjunto preempaquetado de manguera (S45-2702)

Manguera de plástico

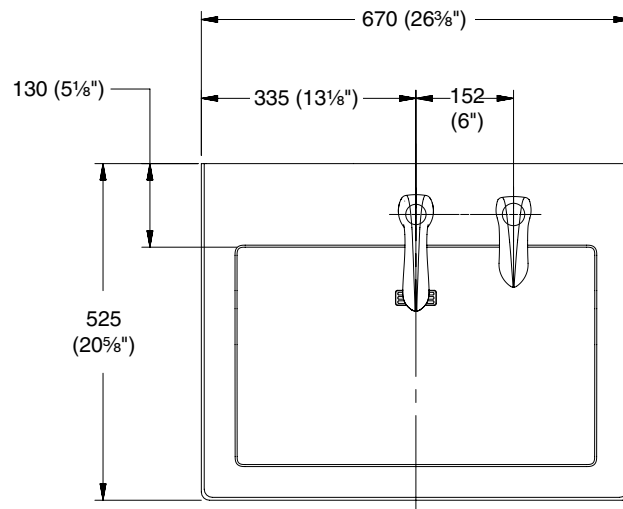
Materiales necesarios

- (4) sujetadores de $\frac{3}{8}$ " y anclajes de pared (clasificación de extracción mínima de 454 kg/1000 lb)
- (4) sujetadores de $\frac{1}{4}$ " (2 para la palangana, 2 para el soporte)
- Salientes de agua caliente y fría o temperada de $\frac{1}{2}$ "
- Salientes para drenaje de $1\frac{1}{2}$ " NPT
- OPCIONAL: (3) tomacorrientes eléctricos protegidos por interruptor de circuito con pérdida a tierra (GFCI, por sus siglas en inglés) de 110 V, para transformadores conectables de 100 a 120 V CA
- Filtros de malla según sean necesarios, si no se incluyen con las llaves

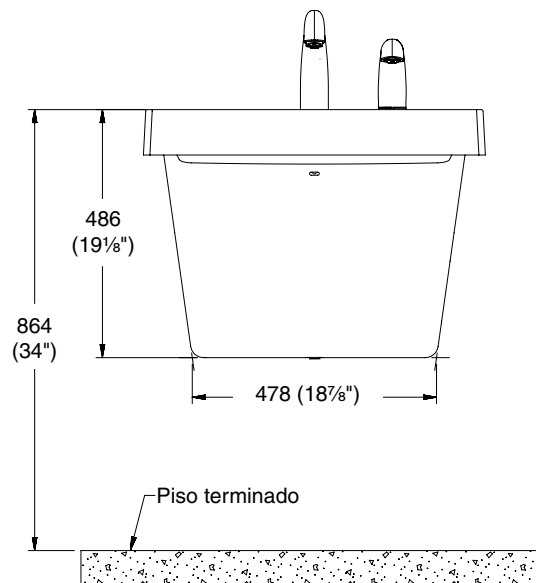
Dimensiones

mm (pulg.)

Vista superior – GLX-1 (se muestra con llave y jabón Verge™)



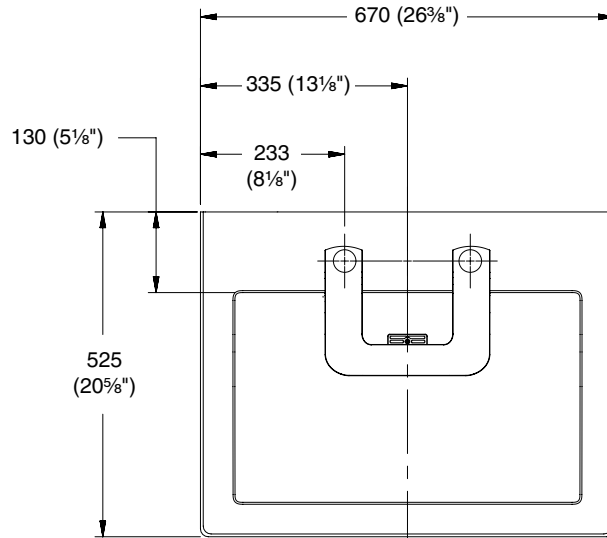
Vista delantera – GLX-1 (se muestra con llave y jabón Verge)



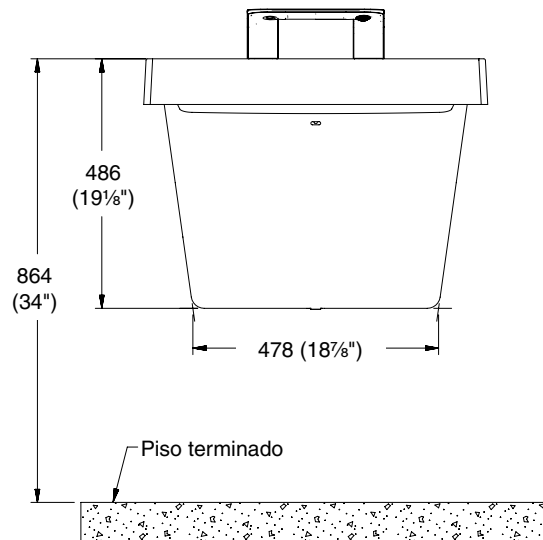
Dimensiones

mm (pulg.)

Vista superior – GLX-1 (se muestra con WBD1)



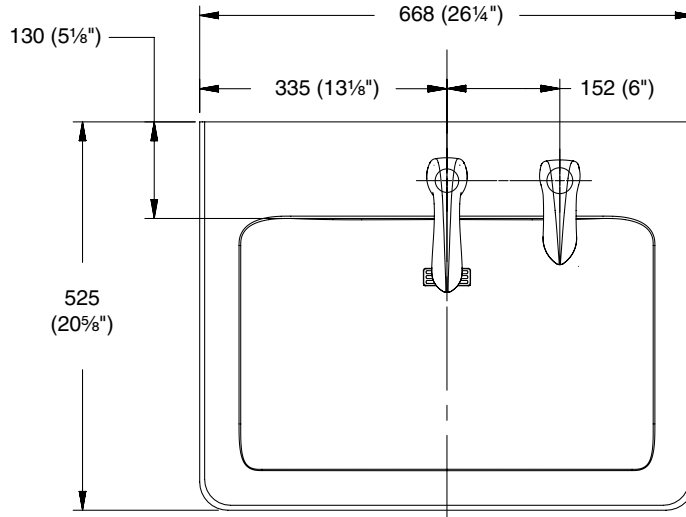
Vista delantera – GLX-1 (se muestra con WBD1)



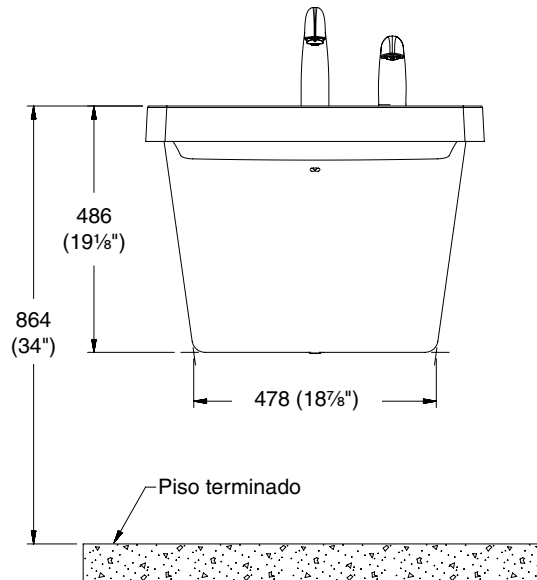
Dimensiones

mm (pulg.)

Vista superior – TLX-1 (se muestra con llave y jabón Verge)



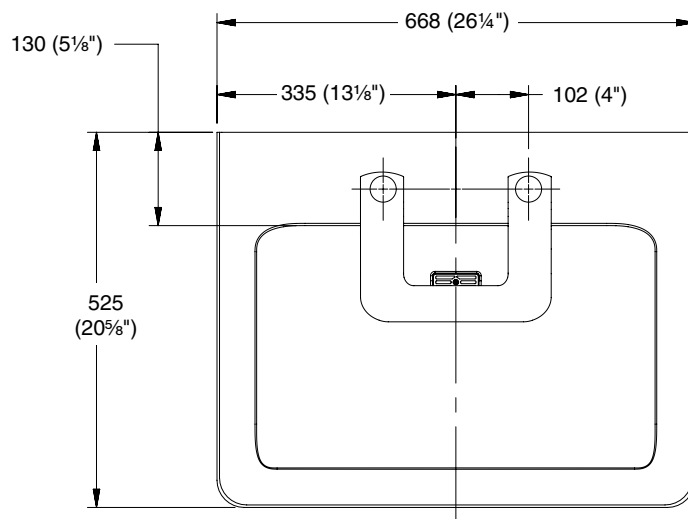
Vista delantera – TLX-1 (se muestra con llave y jabón Verge)



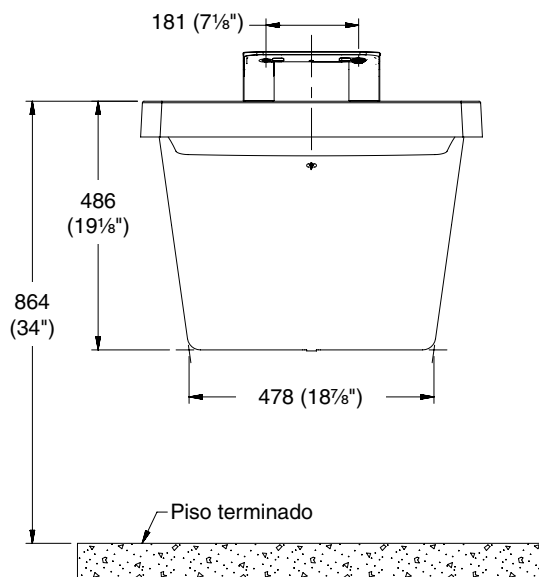
Dimensiones

mm (pulg.)

Vista superior – TLX-1 (se muestra con WBD1)



Vista delantera – TLX-1 (se muestra con WBD1)

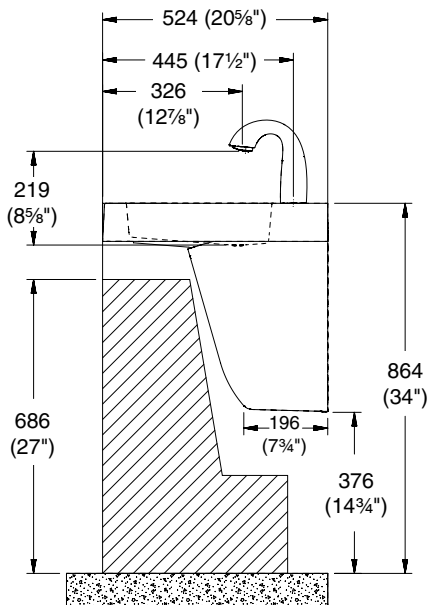


Dimensiones

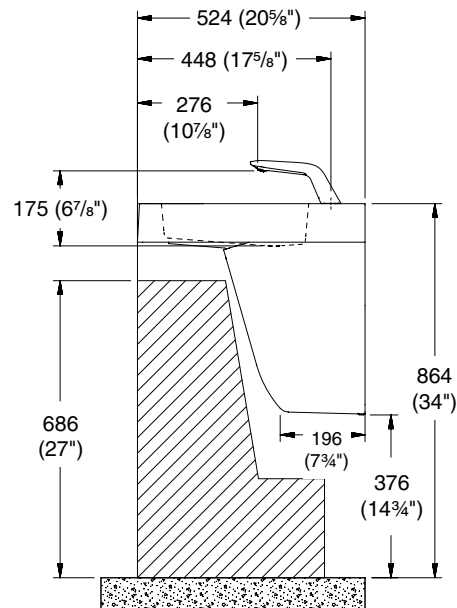
mm (pulg.)

Vista lateral – GLX-1

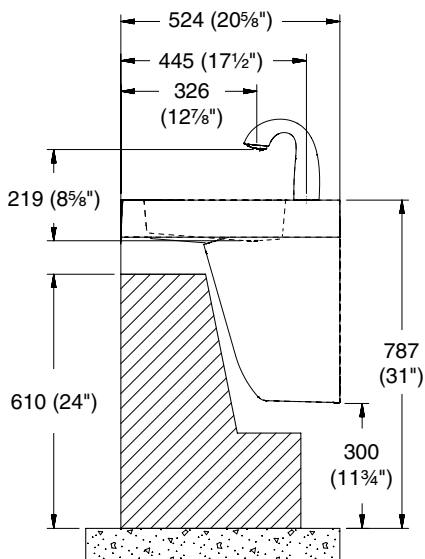
Altura estándar (ADA) – Llave Verge



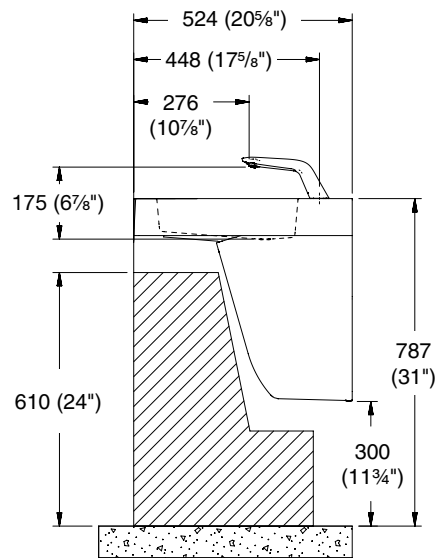
Altura estándar (ADA) – WBD1



Altura para menores (ADA) – Llave Verge



Altura para menores (ADA) – WBD1



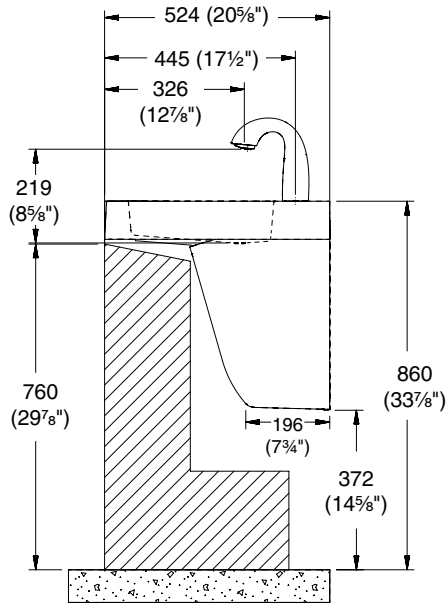
Altura del borde	Ajustes de altura vertical	Estilo del accesorio	Notas
864 mm (34")	Sin ajuste	ADA y TAS estándar	Al menos un lavamanos debe cumplir con los requisitos dimensionales y debe tener un espacio adecuado para el alcance, las rodillas y los pies.
787 mm (31")	*Reste 76 mm (3")	ADA y TAS para menores	Al menos un lavamanos debe cumplir con los requisitos dimensionales y debe tener un espacio adecuado para el alcance, las rodillas y los pies.
660 mm (26")	*Reste 203 mm (8")	Para niños	Para uso por niños pequeños donde las pautas de ADA no sean una preocupación.

Dimensiones

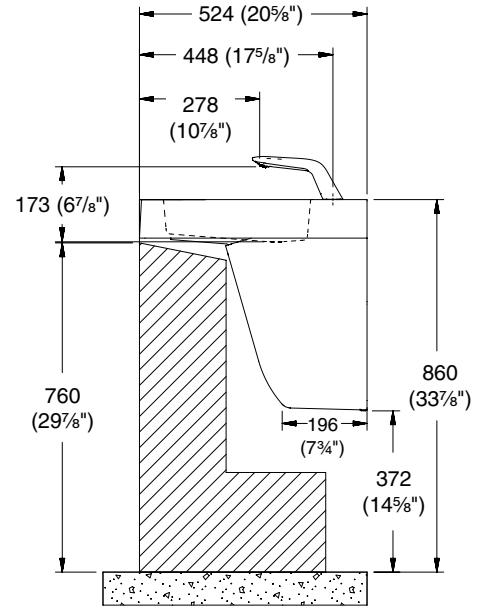
mm (pulg.)

Vista lateral – GLX-1

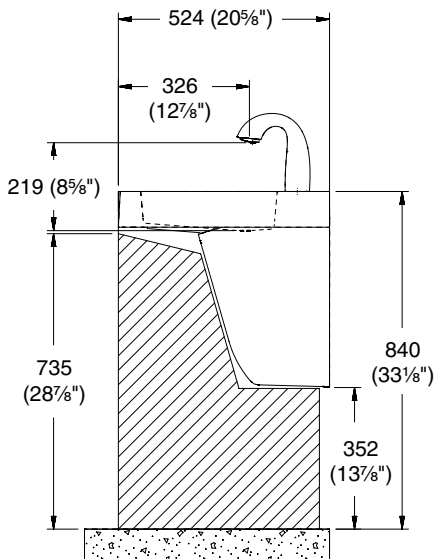
Altura CSA – Llave Verge



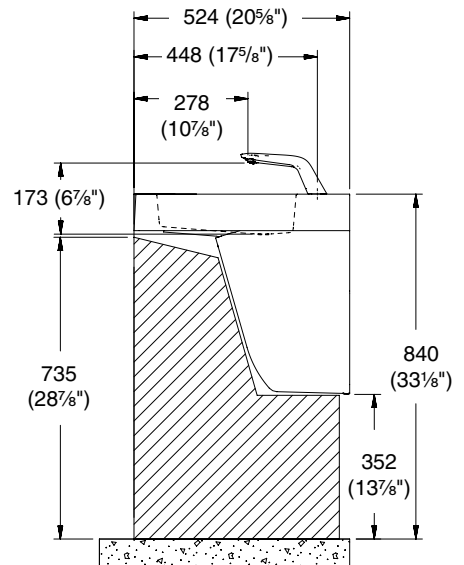
Altura CSA – WBD1



Altura OBC – Llave Verge



Altura OBC – WBD1

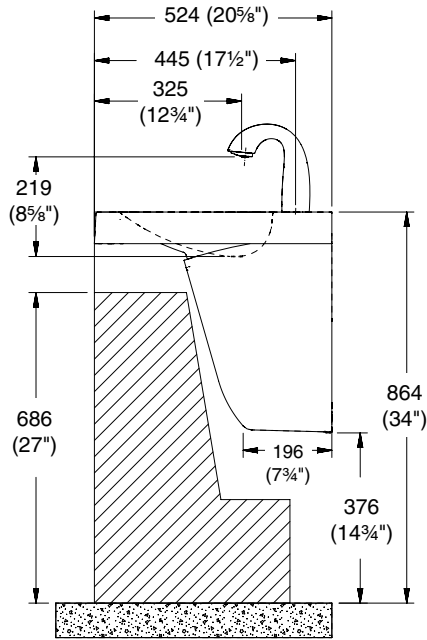


Dimensiones

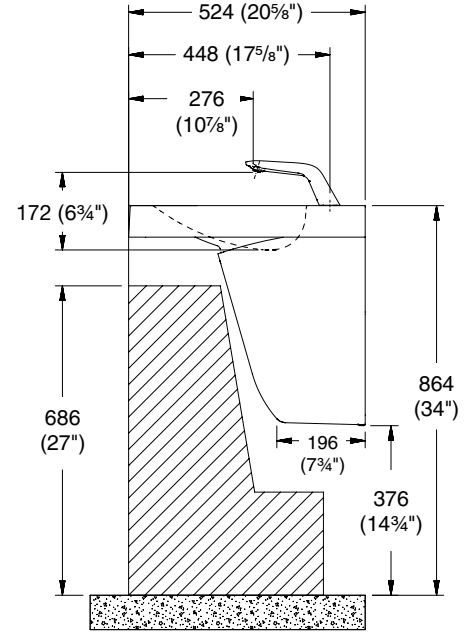
mm (pulg.)

Vista lateral – TLX-1

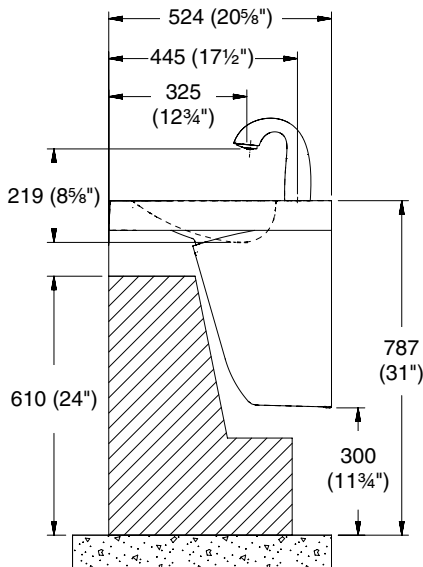
Altura estándar (ADA) – Llave Verge



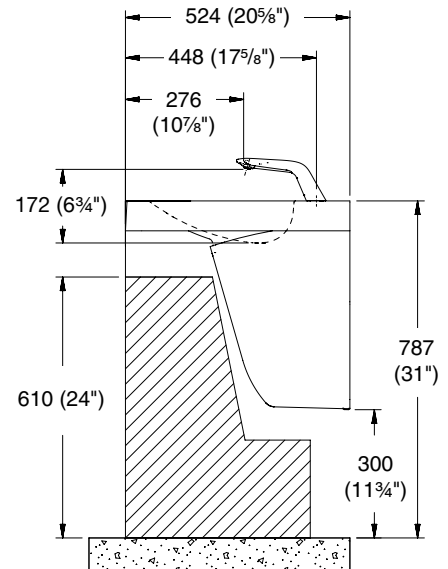
Altura estándar (ADA) – WBD1



Altura para menores (ADA) – Llave Verge



Altura para menores (ADA) – WBD1



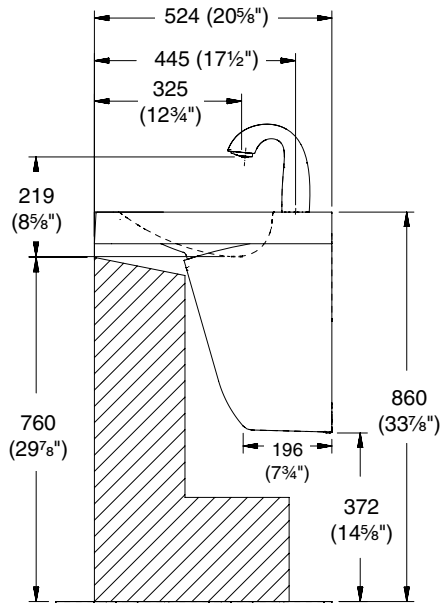
Altura del borde	Ajustes de altura vertical	Estilo del accesorio	Notas
864 mm (34")	Sin ajuste	ADA y TAS estándar	Al menos un lavamanos debe cumplir con los requisitos dimensionales y debe tener un espacio adecuado para el alcance, las rodillas y los pies.
787 mm (31")	*Reste 76 mm (3")	ADA y TAS para menores	Al menos un lavamanos debe cumplir con los requisitos dimensionales y debe tener un espacio adecuado para el alcance, las rodillas y los pies.
660 mm (26")	*Reste 203 mm (8")	Para niños	Para uso por niños pequeños donde las pautas de ADA no sean una preocupación.

Dimensiones

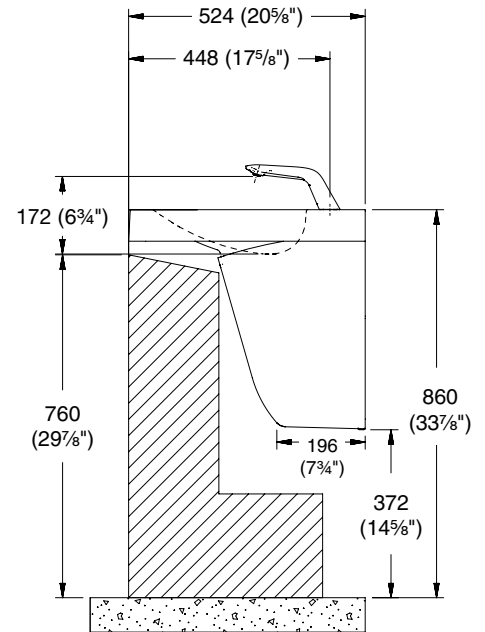
mm (pulg.)

Vista lateral – TLX-1

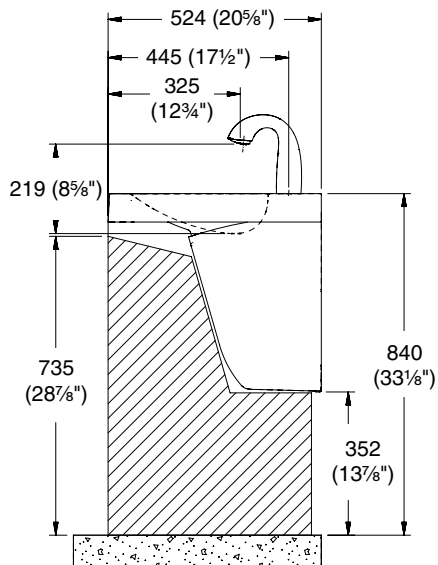
Altura CSA – Llave Verge



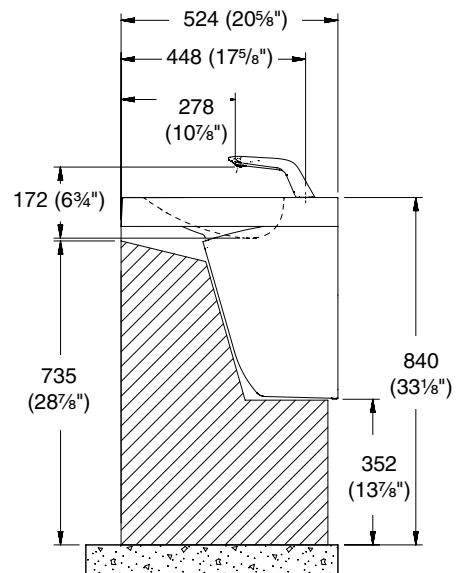
Altura CSA – WBD1



Altura OBC – Llave Verge



Altura OBC – WBD1



Tuberías empotradas estructurales – GLX y TLX

mm (pulg.)

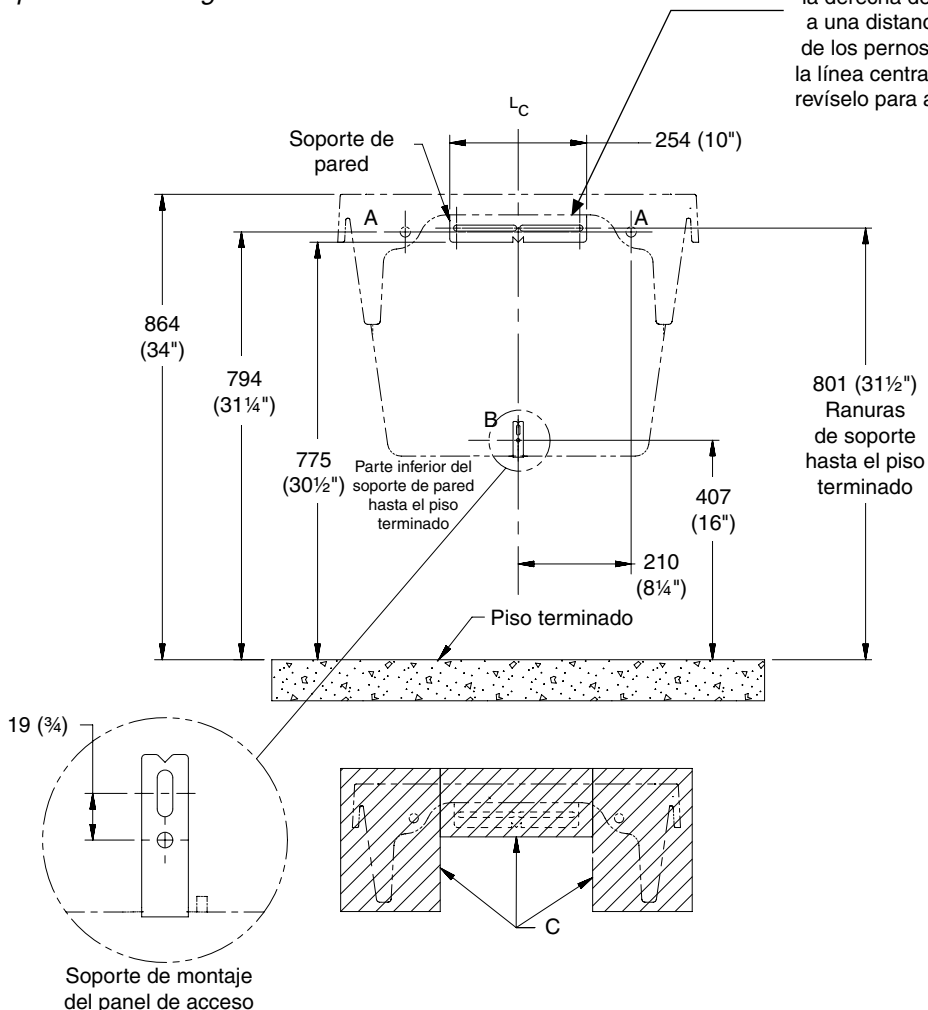


Se muestra el montaje de altura ADA y TAS estándar.



Las áreas resaltadas en gris requieren soporte suficiente para cumplir con los códigos locales de construcción.

Fije el soporte a la pared con un mínimo de (2) pernos de anclaje de 3/8" a la izquierda de la línea central y un mínimo de (2) pernos de anclaje de 3/8" a la derecha de la línea central. Los (2) pernos de anclaje a la derecha de la línea central deben estar a una distancia mínima de 406 mm (16") de los pernos de anclaje a la izquierda de la línea central. Cuando finalice el montaje, revíselo para asegurarse de que el soporte esté nivelado.



CÓDIGO	DESCRIPCIÓN	CANTIDAD
A	En las ubicaciones mostradas, instale (1) anclaje de pared de 3/8" con una fuerza de extracción mínima de 454 kg (1000 lb) según los códigos locales	2
B	En las ubicaciones mostradas, instale (2) anclajes de pared por soporte con una fuerza de extracción mínima de 45 kg (100 lb) según los códigos locales	2
C	Proporcione soporte estructural que cumpla con los códigos locales de construcción.	2

ALTURA DEL BORDE	AJUSTES DE ALTURA VERTICAL	ESTILO DEL ACCESORIO	NOTAS
864 mm (34")	Sin ajuste	ADA y TAS estándar	Al menos un lavamanos debe cumplir con los requisitos dimensionales y debe tener un espacio adecuado para el alcance, las rodillas y los pies.
787 mm (31")	*Reste 76,2 mm (3")	ADA y TAS para menores	Al menos un lavamanos debe cumplir con los requisitos dimensionales y debe tener un espacio adecuado para el alcance, las rodillas y los pies.
660 mm (26")	*Reste 203,2 mm (8")	Para niños	Para uso por niños pequeños donde las pautas de ADA no sean una preocupación.

Tuberías empotradas eléctricas y de plomería – GLX & TLX

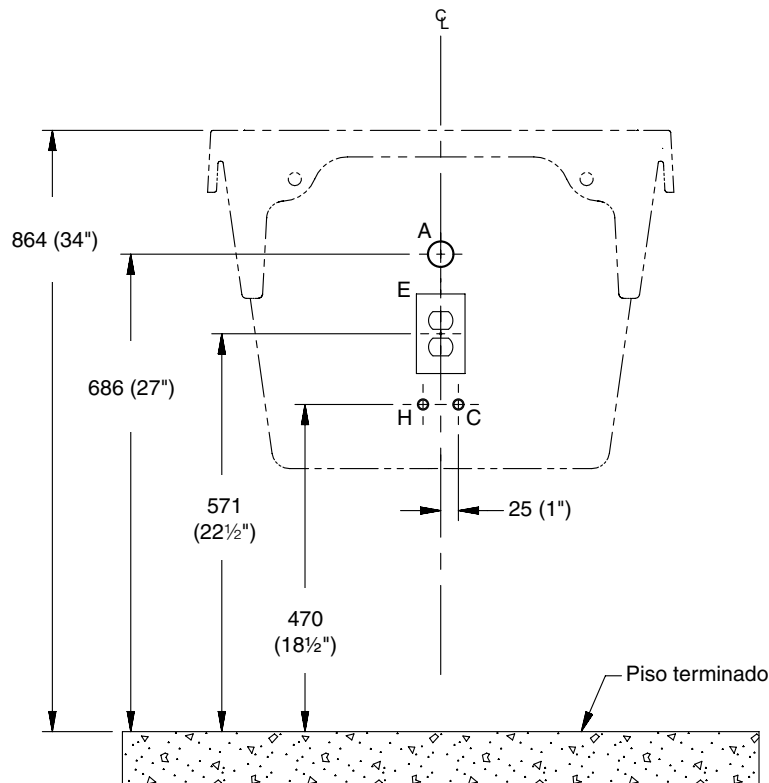
mm (pulg.)



Se muestra el montaje de altura ADA y TAS estándar.



Las ubicaciones de tomacorriente eléctrico que se muestran a continuación reflejan ubicaciones potenciales. Consulte los datos técnicos para obtener información sobre el suministro eléctrico y el tomacorriente.



CÓDIGO	DESCRIPCIÓN	CANTIDAD
A	Desagüe de 1½" NPT, sale 51 mm (2") de la pared	1
H y C	Suministros de agua fría y caliente de ½" nominal (diám. ext. comp. de 5/8" comp.), suministros de agua fría y caliente, salen 51 mm (2") de la pared	1
E	Tomacorriente protegido por interruptor GFI de 110 V (solo llave y jabón CA)	1

Tuberías empotradas eléctricas y de plomería – Llave y jabón Verge

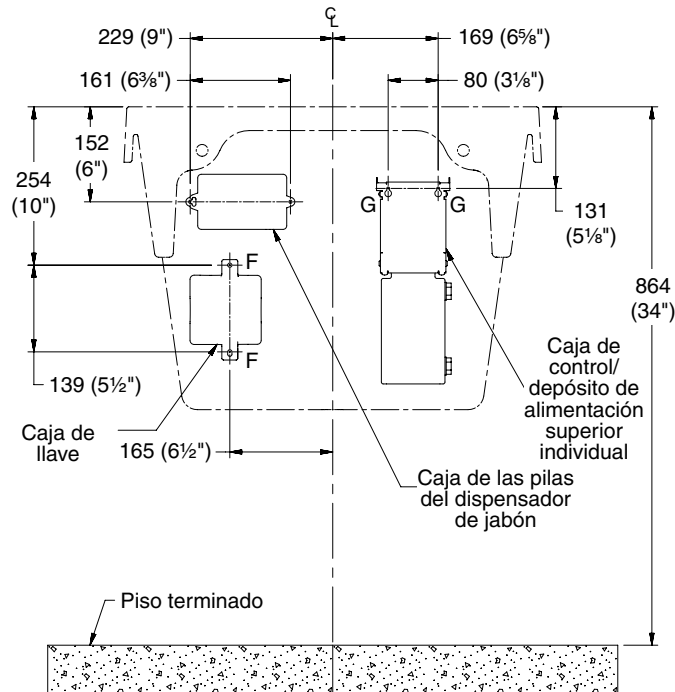
mm (pulg.)



Se muestra el montaje de altura ADA y TAS estándar.



Las ubicaciones de tomacorriente eléctrico que se muestran a continuación reflejan ubicaciones potenciales. Consulte los datos técnicos para obtener información sobre el suministro eléctrico y el tomacorriente.



CÓDIGO	DESCRIPCIÓN	CANTIDAD
F	Anclajes n.º 10 para instalación de la caja de control de la llave Proporcione suficiente soporte detrás de las ubicaciones de montaje.	2
G	Anclajes n.º 10 para soporte del depósito de jabón (fuerza de extracción de 45 kg/100 lb) Proporcione suficiente soporte detrás de las ubicaciones de montaje.	2

Tuberías empotradas eléctricas y de plomería – WBD1

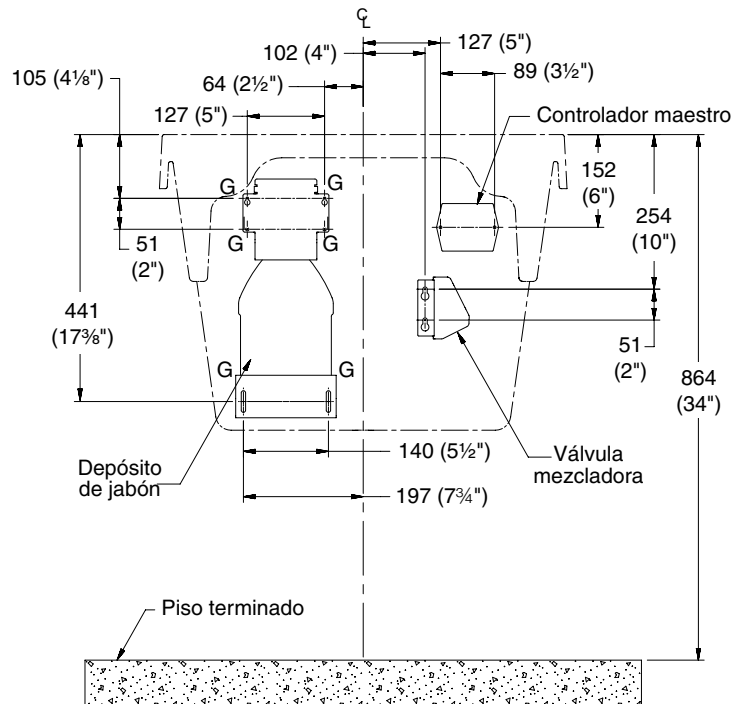
mm (pulg.)



Se muestra el montaje de altura ADA y TAS estándar.



La opción de desechos combinados no está disponible para su uso con el conjunto de llave WBD1.



CÓDIGO	DESCRIPCIÓN	CANTIDAD
G	Anclajes n.º 10 para soporte del depósito de jabón (fuerza de extracción de 45 kg/100 lb) Proporcione suficiente soporte detrás de las ubicaciones de montaje.	6

1 Montaje de los soportes

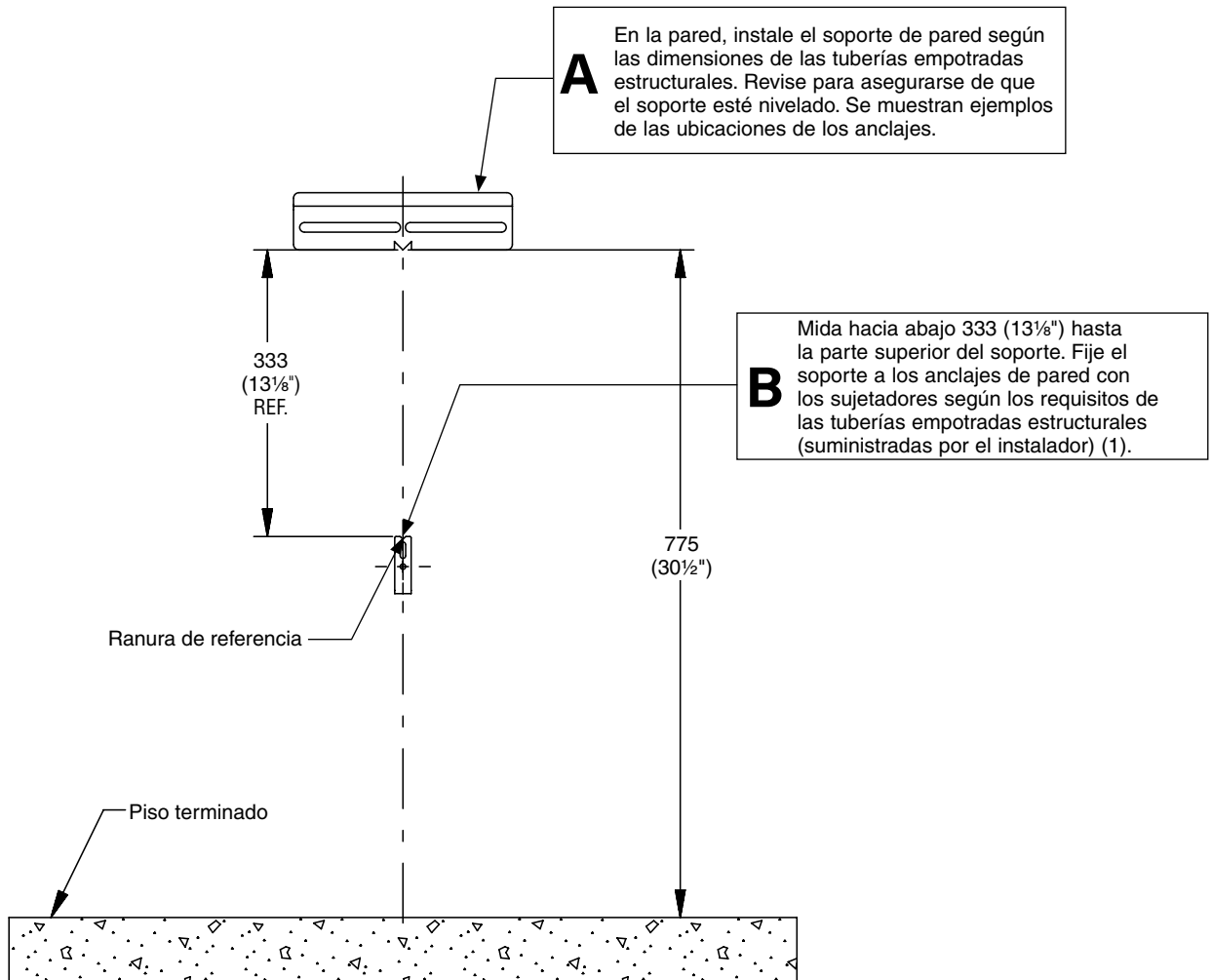
mm (pulg.)



Se muestra la instalación típica. Es posible que deba reparar la pared después del montaje, ya que el accesorio puede no cubrir todas las modificaciones de la pared.



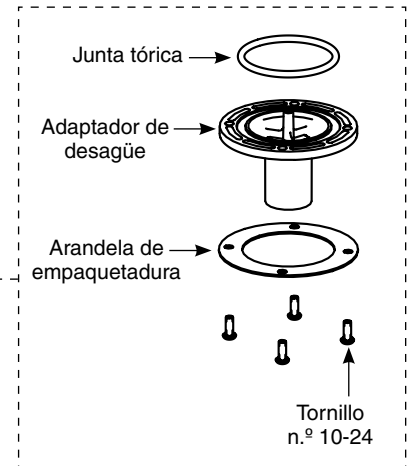
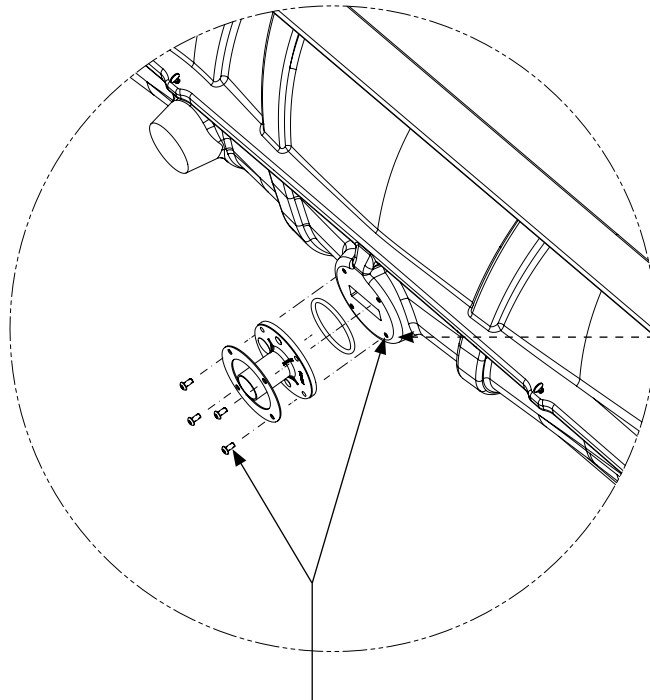
Altura de montaje según las dimensiones de las tuberías empotradas estructurales.



2 Conjunto de desagüe



Para facilitar la instalación del desagüe, coloque la palangana sobre su respaldo.



A Monte los componentes como se muestra y enrosque los cuatro tornillos a través del adaptador de desagüe y en los insertos del lavamanos. Asegúrese de que los tornillos compriman el adaptador de desagüe de manera uniforme en el lavamanos.

3 Conjunto de componentes de llave y jabón Verge o WashBar Duo

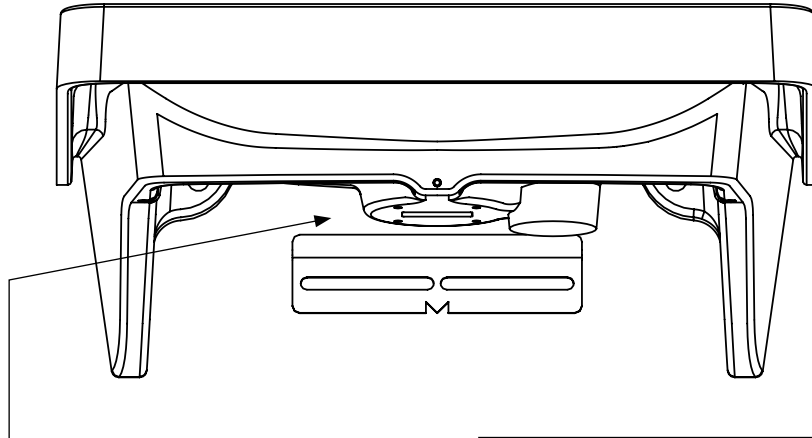
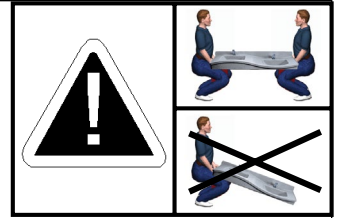


IMPORTANTE: Mientras la palangana no esté sujeta a la pared, monte los componentes de los conjuntos de jabón y llave Verge o WashBar Duo. Consulte las instrucciones de instalación de jabón y llave Verge y de WashBar Duo.

4 Montaje de la palangana (en la estructura y la pared)

¡ADVERTENCIA!

Asegúrese de que la palangana esté nivelada y completamente asentada en el soporte de pared.



A Coloque la palangana sobre el soporte de pared. Presione firmemente la parte posterior de la palangana para asentar su brida en el borde del soporte de pared. Asegúrese de que la palangana esté nivelada.

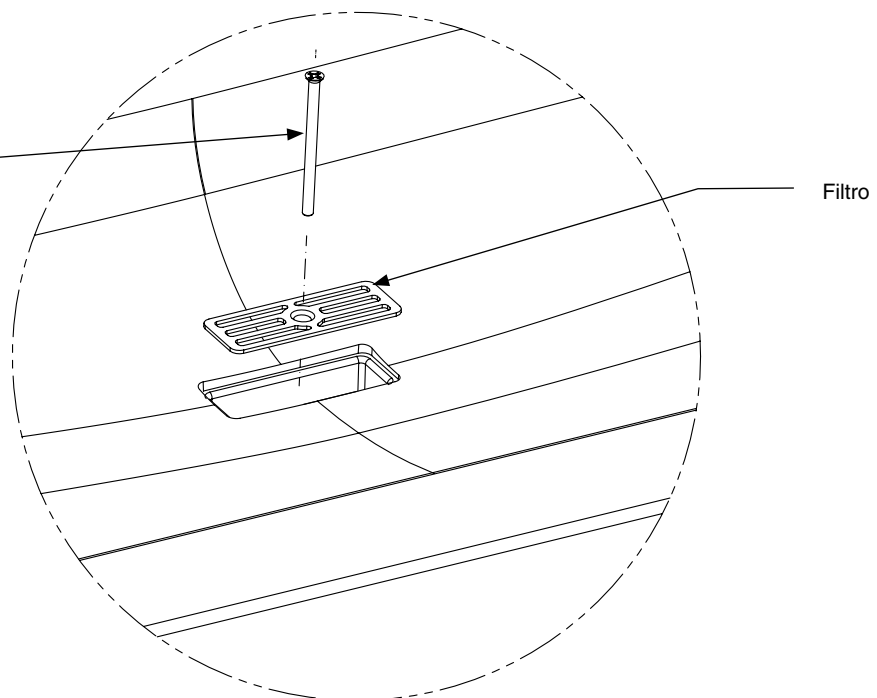
B Fije la palangana a los anclajes de pared con los sujetadores según los requisitos de las tuberías empotradas estructurales (suministradas por el instalador).

5 Filtro y sifón en P



Asegúrese de no apretar en exceso el tornillo del filtro.

A Enrosque el tornillo del filtro a través del filtro y en el separador del adaptador de desagüe.



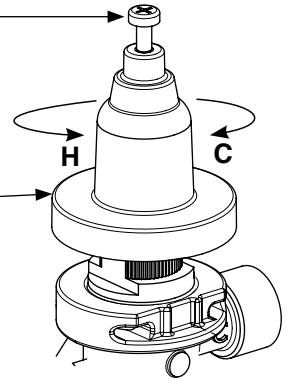
6 Ajuste la temperatura con el agua corriendo



Esta válvula NO viene configurada desde la fábrica. Luego de la instalación, se debe verificar y ajustar la temperatura de esta válvula para garantizar un suministro de agua a una temperatura segura. El agua, a una temperatura superior a 43 °C (110 °F), puede provocar quemaduras.

A Suelte el tornillo de cabeza unos 6 mm (¼") (4 a 6 vueltas) y levante la cubierta (sin quitarla).

B Utilizando la cubierta, gire con cuidado el cartucho hasta alcanzar la temperatura del agua que desee. No gire más allá de los topes, ya que se puede dañar la unidad. Presione la cubierta hacia abajo y apriete el tornillo.



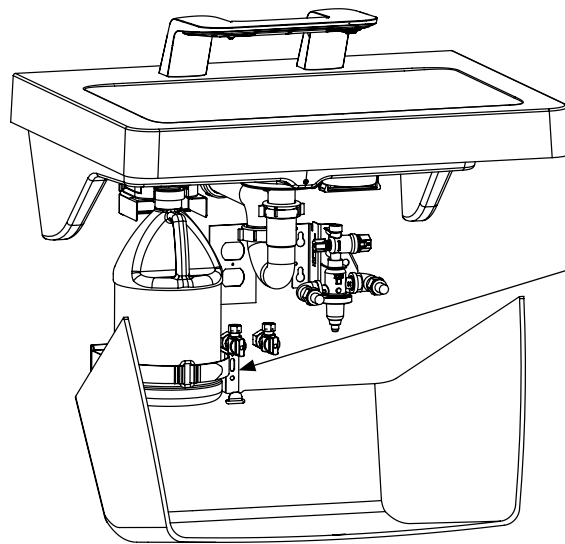
7 Panel de acceso



Realice las conexiones antes de instalar el panel de acceso. Los brazos de los desechos combinados se deben cortar en terreno para adaptarse a la ubicación de las tuberías empotradas.



Se muestra con WashBar Duo. Jabón y llave Verge es similar.



A Cuelgue el panel de acceso en el soporte del panel de acceso como se muestra, luego fije el panel de acceso con el tornillo de aletas que se proporciona.

Limpieza y mantenimiento de Terreon® (lavamanos)

Descripción del material: Terreon es un material de superficie sólida densificado y compuesto de resina de base biológica, que es resistente a los productos químicos, las manchas, las quemaduras y los impactos. La superficie se puede reparar fácilmente con limpiadores comunes o abrasivos de grano fino. Ya que Terreon es un material fundido único, el flujo y la distribución de áridos y los tonos de color pueden variar de producto a producto, lo que crea características naturales.

Limpieza de rutina: Para una limpieza regular, use limpiadores suaves de base neutra.

Manchas rebeldes: Elimine las manchas difíciles con Soft-Scrub® y una almohadilla verde Scotch-Brite® o lije suavemente con movimientos circulares con una lija seca o húmeda de grano 240. Luego, el acabado se puede renovar con una almohadilla Scotch-Brite marrón.

Rayones: Retire rayones con una almohadilla Scotch-Brite verde. Luego, el acabado se puede renovar con una almohadilla Scotch-Brite marrón.

Depósitos de agua dura: Retire los depósitos de agua dura con una solución suave de vinagre y agua. Siempre enjuague la unidad completamente después de la limpieza.

Restauración de la superficie: Use el limpiador Perfect Countertop de Hope's® para refrescar y proteger el material de superficie sólida Terreon. Es posible que los colores oscuros de Terreon necesiten cuidado y mantenimiento adicionales. Para obtener instrucciones completas de este mantenimiento adicional, visite bradleycorp.com.

Kits de reparación: Existen kits de reparación de Terreon. Comuníquese con el representante o distribuidor de Bradley para conocer los números de pieza y los precios. Los kits de reparación se hacen a pedido y su caducidad es de 30 días.

¡AVISO! No use productos químicos o limpiadores ácidos o alcalinos fuertes para limpiar el Terreon. Si estos productos químicos entran en contacto con la superficie, límpielos inmediatamente y enjuague con agua y jabón. Evite el contacto con productos químicos fuertes, como solvente de pintura, cloro, acetona, etc. Evite el contacto con ollas y objetos calientes.

Limpieza y mantenimiento para el acero inoxidable

Descripción del material: El acero inoxidable es extremadamente duradero, y su mantenimiento es simple y económico. Sin embargo, un cuidado adecuado, en especial bajo condiciones de corrosión, es esencial. Siempre comience con la solución más simple, avanzando hacia las más complicadas.

Limpieza de rutina: Límpielo diariamente o con la frecuencia necesaria, con una solución de agua tibia y jabón, detergente o amoníaco. Aplique la solución de limpieza según las instrucciones del fabricante y use siempre un paño o esponja suave para no dañar el acabado.

Manchas rebeldes: Para quitar las manchas del acero inoxidable, use un limpiador y pulidor, como el limpiador para acero inoxidable Ball®, o bien, un abrasivo suave. Siempre siga las instrucciones de fábrica y aplíquelos en la misma dirección que las líneas de pulido.

¡AVISO! Nunca use fibra metálica ni cepillos de acero comunes sobre el acero inoxidable. Siempre use fibra metálica de acero inoxidable o cepillos de acero de las mismas características.

Marcas de dedos y embarraduras: Para quitar las marcas de dedos y las embarraduras, use un limpiador y pulidor de alta calidad para acero inoxidable, de acuerdo con las instrucciones del fabricante. Muchos de estos productos dejan una capa protectora que ayuda a evitar futuras embarraduras y marcas de dedos.

Grasa y aceite: Para quitar grasa y aceite, use un detergente comercial de calidad o un limpiador cáustico. Aplíquelo de acuerdo con las instrucciones del fabricante y en dirección de las líneas de pulido.

Precauciones: Evite que el equipo de acero inoxidable tenga contacto prolongado con cloruros (blanqueadores, sales), bromuros (agentes desinfectantes), tiocianatos (pesticidas, agentes químicos para fotografía y algunos alimentos) y yoduros, especialmente si existen condiciones ácidas.

¡AVISO! No deje que las soluciones salinas se evaporen y sequen sobre el acero inoxidable.

La aparición de líneas de óxido en el acero inoxidable hace pensar que este se está oxidando. Busque el origen real del óxido en algunas partículas de hierro o acero que se puedan estar tocando, pero que en realidad no sean parte de la estructura de acero inoxidable.

¡AVISO! Los limpiadores extremadamente ácidos o cáusticos pueden atacar el acero, lo que provocará la aparición de una película rojiza. Se debe evitar el uso de este tipo de limpiadores.